



LG

website <http://www.lgservice.com>

LG

LG

Air Conditioner

INSTALLATION MANUAL

ENGLISH

FRANÇAIS

ESPAÑOL

AjMadison
Your Appliance Authority™
800-570-3355

IMPORTANT

- Please read this installation manual completely before installing the product.
- Installation work must be performed in accordance with the national wiring standards by authorized personnel only.
- Please retain this installation manual for future reference after reading it thoroughly.

IMPORTANT!

Please read this instruction sheet completely before installing the product.

This air conditioning system meets strict safety and operating standards. As the installer or service person, it is an important part of your job to install or service the system so it operates safely and efficiently.



WARNING

- Installation or repairs made by unqualified persons can result in hazards to you and others. Installation MUST conform with local building codes or, in the absence of local codes, with the National Electrical Code NFPA 70/ANSI C1-1993 or current edition and Canadian Electrical Code Part1 CSA C.22.1.
- The information contained in the manual is intended for use by a qualified service technician familiar with safety procedures and equipped with the proper tools and test instruments.
- Failure to carefully read and follow all instructions in this manual can result in equipment malfunction, property damage, personal injury and/or death.

CAUTION: Improper installation, adjustment, alteration, service or maintenance can void the warranty. The weight of the condensing unit requires caution and proper handling procedures when lifting or moving to avoid personal injury. Use care to avoid contact with sharp or pointed edges.

Safety Precautions

- Always wear safety eye wear and work gloves when installing equipment.
- Never assume electrical power is disconnected. Check with meter and equipment.
- Keep hands out of fan areas when power is connected to equipment.
- R-410A causes frostbite burns.
- R-410A is toxic when burned.

NOTE TO INSTALLING DEALER: The Owners Instructions and Warranty are to be given to the owner or prominently displayed near the indoor Furnace/Air Handler Unit.



Special warnings

When wiring:

Electrical shock can cause severe personal injury or death. Only a qualified, experienced electrician should attempt to wire this system.

- Do not supply power to the unit until all wiring and tubing are completed or reconnected and checked.
- Highly dangerous electrical voltages are used in this system. Carefully refer to the wiring diagram and these instructions when wiring. Improper connections and inadequate grounding can cause accidental injury or death.
- Ground the unit following local electrical codes.
- Connect all wiring tightly. Loose wiring may cause overheating at connection points and a possible fire hazard.

When transporting:

Be careful when picking up and moving the indoor and outdoor units. Get a partner to help, and bend your knees when lifting to reduce strain on your back. Sharp edges or thin aluminum fins on the air conditioner can cut your finger.

When installing...

- ... **in a wall:** Make sure the wall is strong enough to hold the unit's weight. It may be necessary to construct a strong wood or metal frame to provide added support.
- ... **in a room:** Properly insulate any tubing run inside a room to prevent "sweating" that can cause dripping and water damage to wall and floors.
- ... **in moist or uneven locations:** Use a raised concrete pad or concrete blocks provide a solid, level foundation for the outdoor unit. This prevents water damage and abnormal vibration.
- ... **in an area with high winds:** Securely anchor the outdoor unit down with bolts and a metal frame. Provide a suitable air baffle.
- ... **in a snowy area(for Heat Pump Model):** Install the outdoor unit on a raised platform that is higher than drifting snow. Provide snow vents.

When connecting refrigerant tubing

- Keep all tubing runs as short as possible.
- Use the flare method for connecting tubing.
- Check carefully for leaks before starting the test run.

When servicing

- Turn the power OFF at the main power box(mains) before opening the unit to check or repair electrical parts and wiring.
- Keep your fingers and clothing away from any moving parts.
- Clean up the site after you finish, remembering to check that no metal scraps or bits of wiring have been left inside the unit being serviced.

CONTENTS

Safety Precautions	4
Installation of Indoor, Outdoor unit	7
The indoor unit installation	10
Remote controller installation.....	13
Wiring connection	16
Flaring Work and Connection of Piping	20
Installation to decorative panel.....	23
Indoor unit drain piping.....	25
Test running	29
Leakage test and Evacuation	32
Installation guide at seaside	33



Safety Precautions



To prevent the injury of the user or other people and property damage, the following instructions must be followed.

- Be sure to read before installing the air conditioner.
- Be sure to observe the cautions specified here as they include important items related to safety.
- Incorrect operation due to ignoring instruction will cause harm or damage. The seriousness is classified by the following indications.

⚠ WARNING This symbol indicates the possibility of death or serious injury.

⚠ CAUTION This symbol indicates the possibility of injury or damage to properties only.

- The meanings of the symbols used in this manual are as shown below.

	Be sure not to do.
	Be sure to follow the instruction.

⚠ WARNING

■ Installation

Always perform grounding.

Don't use a power cord, a plug or a loose socket which is damaged.

For installation of the product, always contact the service center or a professional installation agency.

- Otherwise, it may cause electrical shock.
- Otherwise, it may cause a fire or electrical shock.
- Otherwise, it may cause a fire, electrical shock, explosion or injury.

Securely attach the electrical part cover to the indoor unit and the service panel to the outdoor unit.

Always install an air leakage breaker and a dedicated switching board.

Do not keep or use flammable gases or combustibles near the air conditioner.

- If the electrical part cover of the indoor unit and the service panel of the outdoor unit are not attached securely, it could result in a fire or electric shock due to dust, water, etc.
- No installation may cause a fire and electrical shock.
- Otherwise, it may cause a fire or the failure of product.

Ensure that an installation frame of the outdoor unit is not damaged due to use for a long time.

Do not disassemble or repair the product randomly.

- It may cause injury or an accident.
- It will cause a fire or electrical shock.

Do not install the product at a place that there is concern of falling down.

- Otherwise, it may result in personal injury.

Use caution when unpacking and installing.

- Sharp edges may cause injury.

■ Operation

Do not share the outlet with other appliances.

- It will cause an electric shock or a fire due to heat generation.

Do not use the damaged power cord.

- Otherwise, it may cause a fire or electrical shock.

Do not modify or extend the power cord randomly.

- Otherwise, it may cause a fire or electrical shock.

Take care so that the power cord may not be pulled during operation.

- Otherwise, it may cause a fire or electrical shock.

Unplug the unit if strange sounds, smell, or smoke comes from it.

- Otherwise, it may cause electrical shock or a fire.

Keep the flames away.

- Otherwise, it may cause a fire.

Take the power plug out if necessary, holding the head of the plug and do not touch it with wet hands.

- Otherwise, it may cause a fire or electrical shock.

Do not use the power cord near the heating tools.

- Otherwise, it may cause a fire and electrical shock.

Do not open the suction inlet of the indoor/outdoor unit during operation.

- Otherwise, it may electrical shock and failure.

Do not allow water to run into electrical parts.

- Otherwise, it may cause the failure of machine or electrical shock.

Hold the plug by the head when taking it out.

- It may cause electric shock and damage.

Never touch the metal parts of the unit when removing the filter.

- They are sharp and may cause injury.

Do not step on the indoor/outdoor unit and do not put anything on it.

- It may cause an injury through dropping of the unit or falling down.

Do not place a heavy object on the power cord.

- Otherwise, it may cause a fire or electrical shock.

When the product is submerged into water, always contact the service center.

- Otherwise, it may cause a fire or electrical shock.

Take care so that children may not step on the outdoor unit.

- Otherwise, children may be seriously injured due to falling down.

⚠ CAUTION

■ Installation

Install the drain hose to ensure that drain can be securely done.

- Otherwise, it may cause water leakage.

Install the product so that the noise or hot wind from the outdoor unit may not cause any damage to the neighbors.

- Otherwise, it may cause dispute with the neighbors.

Always inspect gas leakage after the installation and repair of product.

- Otherwise, it may cause the failure of product.

Keep level parallel in installing the product.

- Otherwise, it may cause vibration or water leakage.

■ Operation

Avoid excessive cooling and perform ventilation sometimes.

- Otherwise, it may do harm to your health.

Use a soft cloth to clean. Do not use wax, thinner, or a strong detergent.

- The appearance of the air conditioner may deteriorate, change color, or develop surface flaws.

Do not use an appliance for special purposes such as preserving animals vegetables, precision machine, or art articles.

- Otherwise, it may damage your properties.

Do not place obstacles around the flow inlet or outlet.

- Otherwise, it may cause the failure of appliance or an accident.



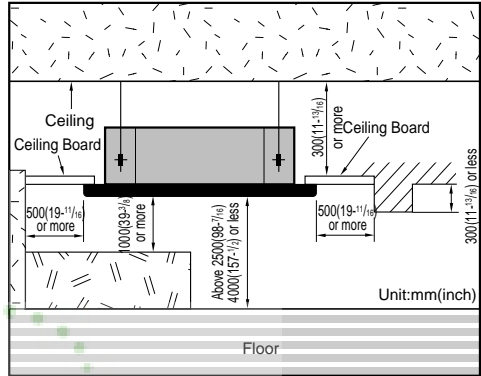
Installation of Indoor, Outdoor Unit

Selection of the best location

1. Indoor unit

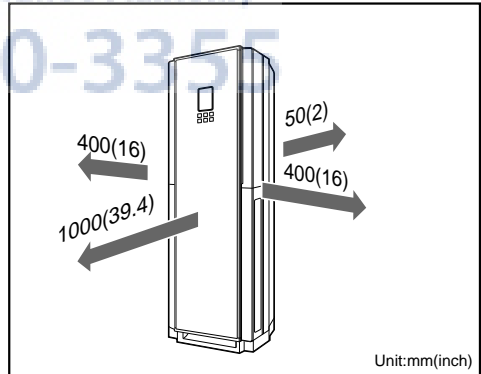
Cassette type

- There should not be any heat source or steam near the unit.
- There should not be any obstacles to prevent the air circulation.
- A place where air circulation in the room will be good.
- A place where drainage can be easily obtained.
- A place where noise prevention is taken into consideration.
- Do not install the unit near the door way.
- Ensure the spaces indicated by arrows from the wall, ceiling, or other obstacles.
- The indoor unit must keep the maintenance space.



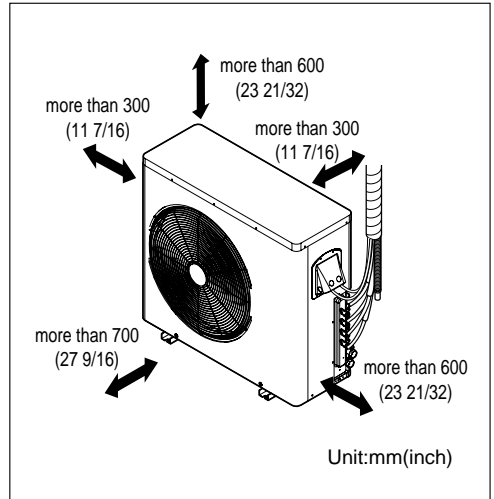
Floor Standing type

- There should not be any heat source or steam near the unit.
- There should not be any obstacles to prevent the air circulation.
- A place where air circulation in the room will be good.
- A place where drainage can be easily obtained.
- A place where noise prevention is taken into consideration.
- Do not install the unit near the door way.
- Ensure the spaces indicated by arrows from the wall, ceiling, or other obstacles.
- The indoor unit must keep the maintenance space.



2. Outdoor unit

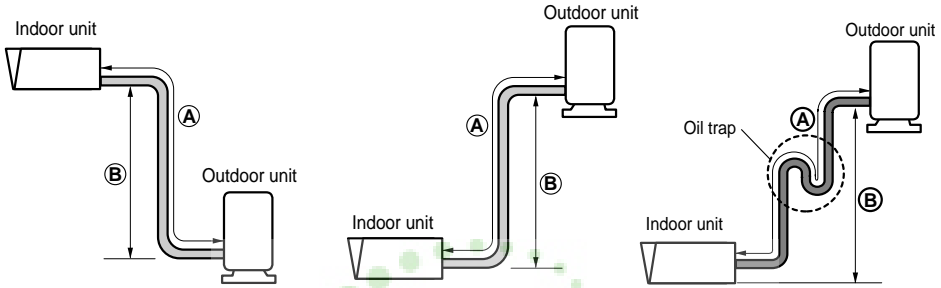
1. If an awning is built over the unit to prevent direct sunlight or rain exposure, make sure that heat radiation from the condenser is not restricted.
2. Ensure that the spaces indicated by arrows around front, back and side of the unit.
3. Do not place animals and plants in the path of the warm air.
4. Take the air conditioner weight into account and select a place where noise and vibration are minimum.
5. Select a place so that the warm air and noise from the air conditioner do not disturb neighbors.



AjMadison
Your Appliance Authority™
800-570-3355

3. Piping length and the elevation

Capacity	Pipe Size Unit : mm(inch)		Length A Unit : m(ft)		Elevation B Unit : m(ft)		*Additional refrigerant Unit : g/m(oz/ft)
	Gas	Liquid	Standard	Max.	Standard	Max.	
24k Btu/h	15.88(5/8)	9.5(3/8)	7.5(25)	50(164) cassette type	5(16)	30(98) cassette type	35(0.38)
				30(98) Floor standing type		20(66) Floor standing type	



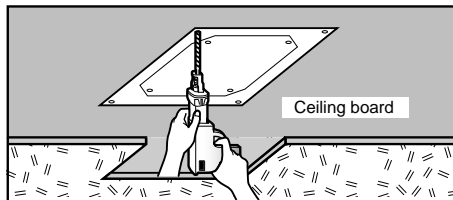
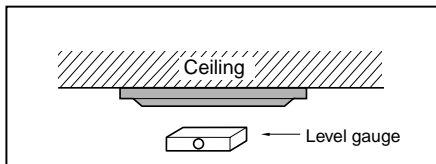
CAUTION:

- Rated performance for refrigerant line length of:7.5m(25ft)
- Capacity is based on standard length and maximum allowance length is on the basis of reliability.
- Improper refrigerant charge may result in abnormal cycle.
- Oil trap should be installed every 10 meters(32.8 ft).

800-570-3355

The indoor unit installation

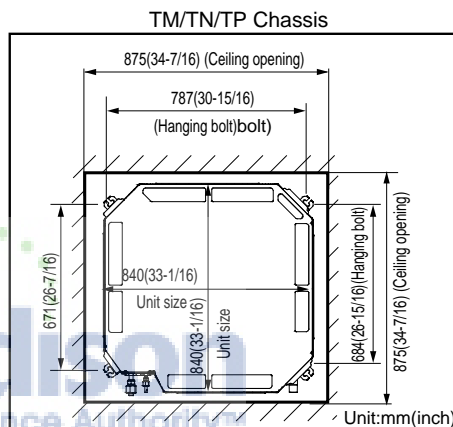
1. Cassette type



CAUTION :

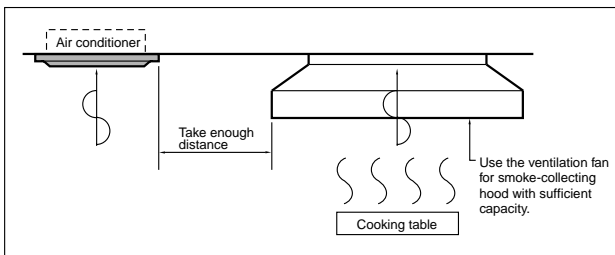
- This air-conditioner uses a drain pump.
- Install the unit horizontally using a level gauge.
- During the installation, care should be taken not to damage electric wires.

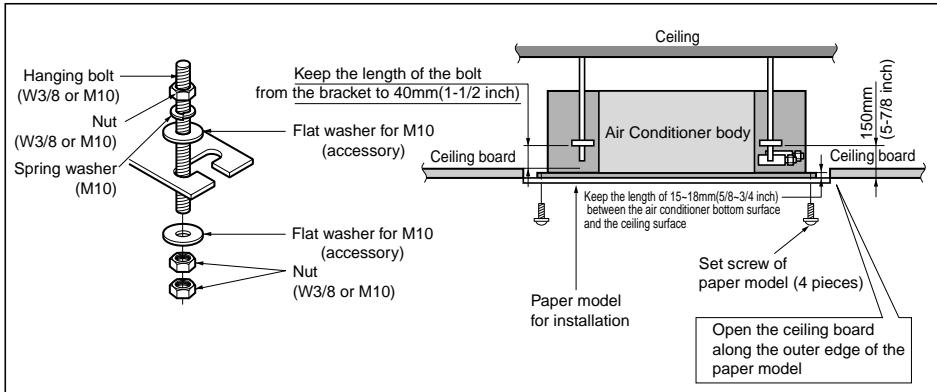
- Select and mark the position for fixing bolts and piping hole.
- Decide the position for fixing bolts slightly tilted to the drain direction after considering the direction of drain hose.
- Drill the hole for anchor bolt on the wall.



NOTICE

- Avoid the following installation location.
 - Such places as restaurants and kitchen where considerable amount of oil steam and flour is generated. These may cause heat exchange efficiency reduction, or water drops, drain pump mal-function. In these cases, take the following actions;
 - Make sure that ventilation fan is enough to cover all noxious gases from this place.
 - Ensure enough distance from the cooking room to install the air conditioner in such a place where it may not suck oily steam.
 - Avoid installing air conditioner in such places where cooking oil or iron powder is generated.
 - Avoid places where inflammable gas is generated.
 - Avoid place where noxious gas is generated.
 - Avoid places near high frequency generators.





• The following parts is option.

- ① Hanging Bolt - W 3/8 or M10
- ② Nut - W 3/8 or M10
- ③ Spring Washer - M10
- ④ Plate Washer - M10

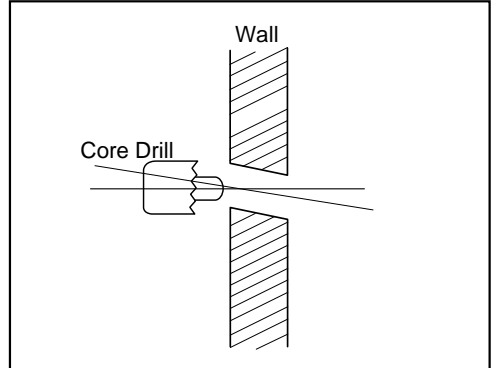
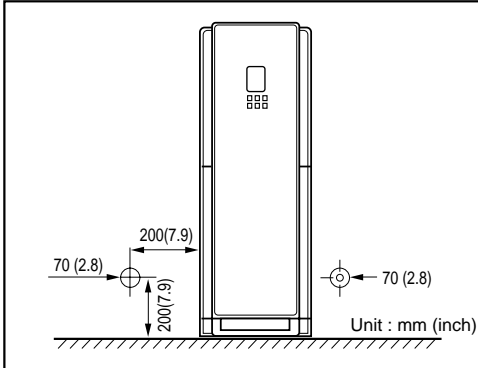
• Drill the piping hole on the wall slightly tilted to the outdoor side using a \varnothing 70 hole-core drill.



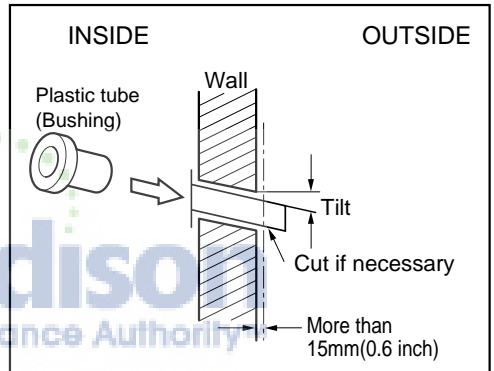
CAUTION : Tighten the nut and bolt to prevent unit from falling off.

AJ Madison
Your Appliance Authority™
800-570-3355

2. Floor Standing type



1. The mounting floor should be strong and solid enough to prevent it from vibration.
2. Drill the piping hole with 70mm diameter hole-core drill at either the right or the left of indoor unit. The hole should be slightly slant to the outdoor side.
3. Insert the plastic tube through the hole.
4. Cut the extruded outside part of the plastic tube, if necessary.



AjMadison
Your Appliance Authority
800-570-3355

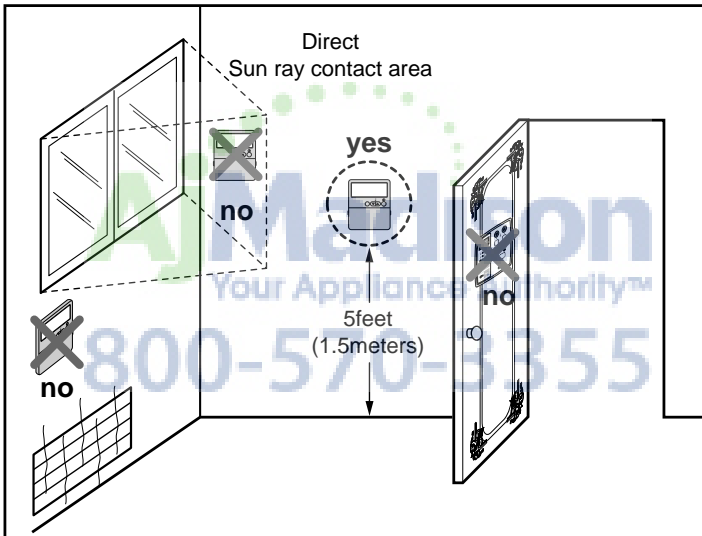
Remote controller installation

Wired remote controller installation

- Since the room temperature sensor is in the remote controller, the remote controller box should be installed in a place away from direct sunlight, high humidity and direct supply of cold air to maintain proper space temperature. Install the remote controller about 5ft(1.5m) above the floor in an area with good air circulation at an average temperature.

Do not install the remote controller where it can be affected by:

- Drafts, or dead spots behind doors and in corners.
- Hot or cold air from ducts.
- Radiant heat from sun or appliances.
- Concealed pipes and chimneys.
- Uncontrolled areas such as an outside wall behind the remote controller.
- This remote controller is equipped with a seven segment LED display. For proper display of the remote controller LED's, the remote controller should be installed properly as shown in Fig.1.

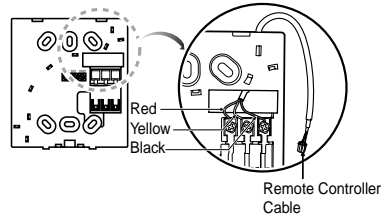


(Fig.1)

Installation of Wired remote controller(Cassette type)

1. Connect the wired remote controller cable to the wired remote controller installation board as shown in the right picture.

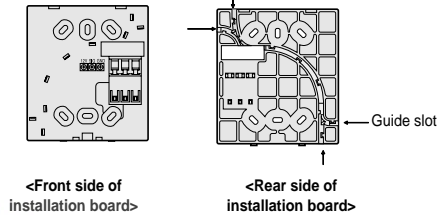
12V	Red wire
SIG	Yellow wire
GND	Black wire



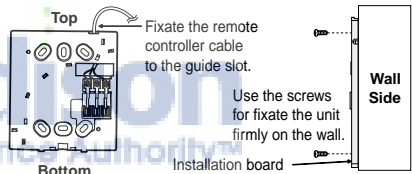
* The wired remote controller cable is connected as factory default.

2. After fixing the cable to the guide slot, attach the wired remote controller installation board at the desired location.

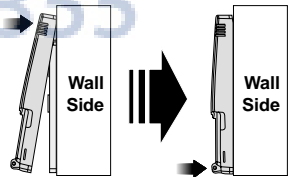
• Before fixing the wired remote controller cable to the guide slot, remove any clogged part of the case in the direction to install before the installation.



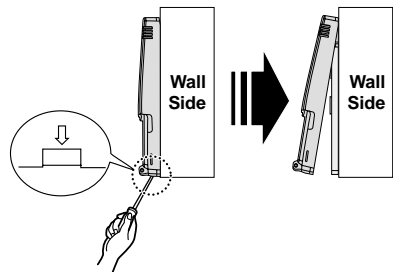
3. After locating the wired remote controller installation board at the desired location, screw the unit firmly. (When there is a buried box, install the wired remote controller board to fit the buried box.)



• Use the screw provided.

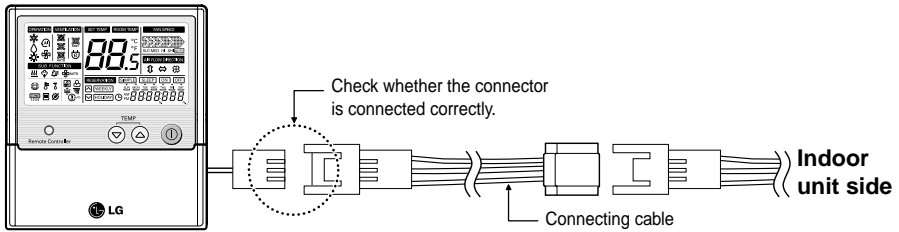


4. After fixing the top part of the wired remote controller to the installation board as shown in beside picture, press the bottom part to assemble the controller to it's board.



When disassemble the wired remote controller from the installation board, use the driver as shown in the right picture and insert it into the hole with the arrow. And when you pull the driver in the front direction, the wired remote controller will be separated.

5. Use the connecting cable to connect the indoor unit and the wired remote controller.



6. When the distance between the wired remote controller and the indoor unit is 10m and above, use the extension cable.

CAUTION

When installing the wired remote controller, do not bury it in the wall.
(It can cause damage in the temperature sensor.)

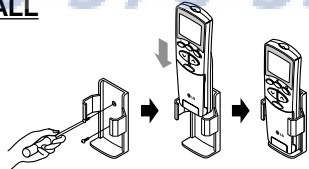
Do not install the cable to be 50m or above.

(It can cause communication error.)

- When installing the extension cable, check the connecting direction of the connector of the remote controller side and the product side for correct installation.
- If you install the extension cable in the opposite direction, the connector will not be connected.
- Specification of extension cable: 2547 1007 22# 2 core 3 shield 5 or above.

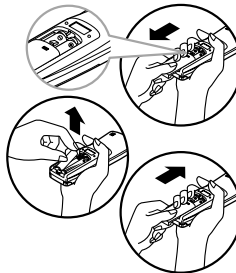
Wireless remote controller installation

HOW TO MOUNT ONTO A WALL



HOW TO INSERT BATTERIES

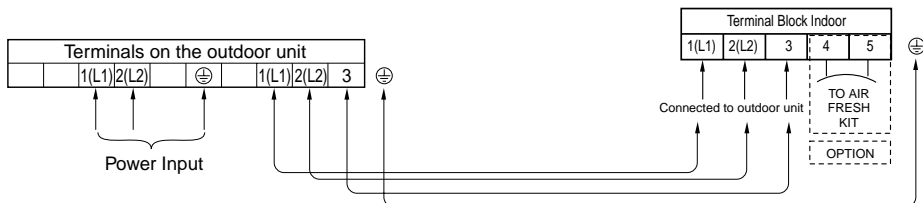
1. Remove the battery cover from the remote controller.
 - Slide the cover according to the arrow direction.
2. Insert the two batteries.
 - Be sure that the (+) and (-) directions are correct.
 - Be sure that both batteries are new.
3. Re-attach the cover.
 - Slide it back into position.



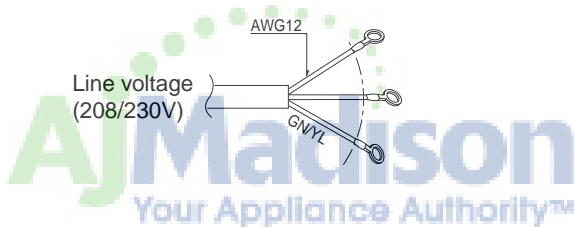
- Do not use rechargeable batteries, such as batteries differ from standard dry cells in shape, dimensions, and performance.
- Remove the batteries from the remote controller if the air conditioner is not going to be used for some long time.

Wiring Connection

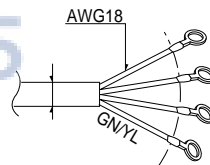
⚠ WARNING : Loose wiring may cause the terminal to overheat or result in unit malfunction.
 A fire hazzard may also exist.
 Therefore, be sure all wiring is tightly connected.



⚡ RECOMMENDATION: The power cord connected to the outdoor unit should be comply with the following specifications: ETL recognized and CSA certified.



The power connecting cable connected to the indoor and outdoor unit should be comply with the following specifications: ETL recognized and CSA certified.

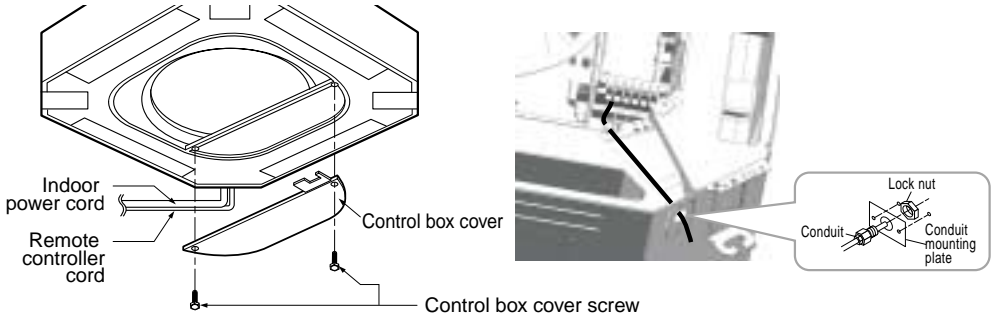


⚡ RECOMMENDATION: When using the separate wires as the power cord, please secure the separate wires into the control box panel using tie wraps to hold all wires together in place.

Connecting the Cable to Indoor Unit

1. Cassette type

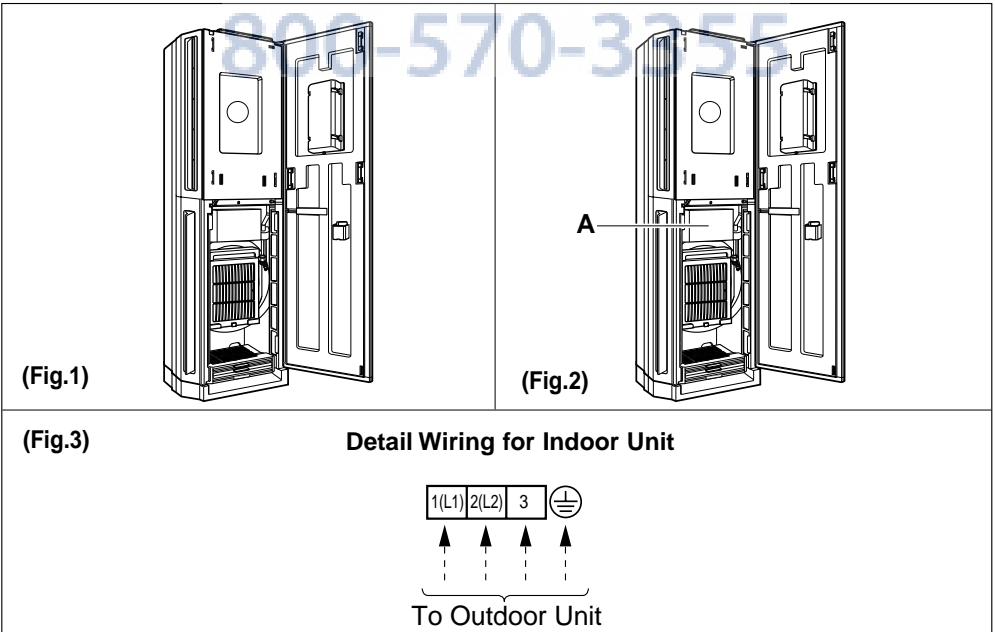
- Open the control box cover and connect the Remote controller cord and Indoor power wires.



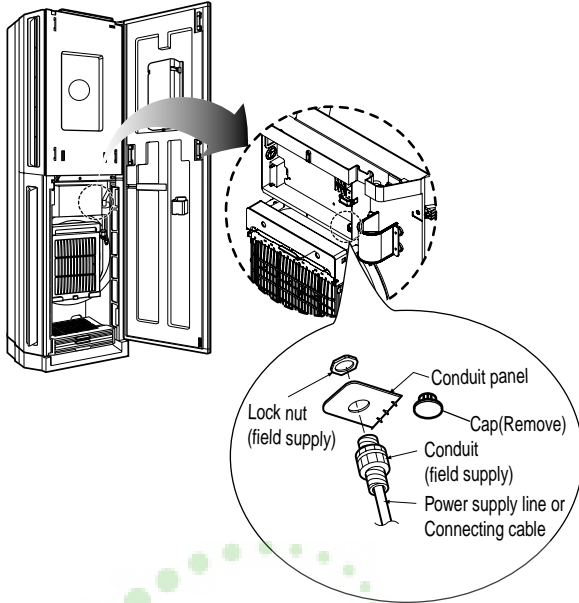
2. Floor Standing type

Procedure for Connecting the Cable to Indoor Unit, is as follows:

1. Open The Front Door Manually, as shown in Fig. 1.
2. Open the Control Box Cover (A) with Driver, (⊕) as shown in Fig. 2.
3. Connect the Cables (LG doesn't supply) to the terminal Block of Indoor Unit, as shown in Fig. 3.
4. Install a power supply line or connecting cables as the Fig. 4 in order to prevent the connecting wires from being cut by sharp edge of the hole.
5. Secure the Control Box Cover (A) to its original position with the help of Driver(⊕).
6. Close the Front Door.



(Fig.4)



AjMadison
Your Appliance Authority™
800-570-3355

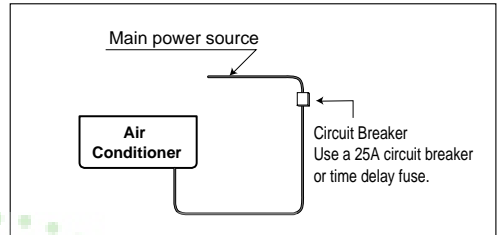
Electrical Wiring

1. All wiring must comply with LOCAL REGULATIONS.
2. Select a power source that is capable of supplying the current required by the air conditioner.
3. Feed the power source to the unit via a distribution switch board designed for this purpose.
4. The terminal screws inside the control box may be loose due to vibration during transport. Check the screws for loose connection.
(Running the air conditioner with loose connection can overload and damage electrical components.)
5. Always ground the air conditioner with a grounding wire and connector to meet the LOCAL REGULATION.



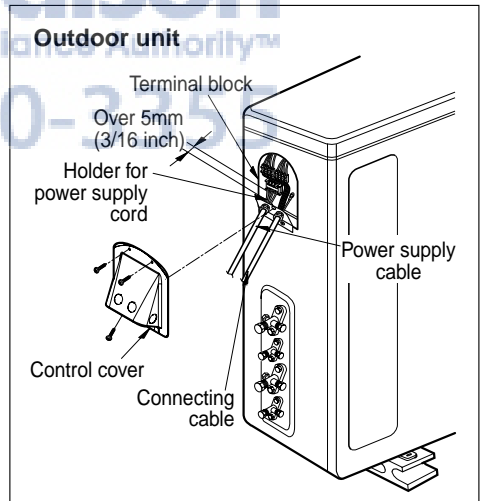
CAUTION:

- The circuit diagram is not subject to change without notice.
- Be sure to connect wires according to the wiring diagram.
- Connect the wires firmly, so that not to be pulled out easily.
- Connect the wires according to color codes by referring the wiring diagram.



Connecting the cable to Outdoor Unit

1. Remove the Cover control from the unit by loosening a screw.
Connect the wires to the terminals on the control board individually as following.
2. Secure the cable onto the control board with the holder (clammer).
3. Refix the cover control to the original position with the screw.
4. Use a recognized circuit breaker between the power source and the unit. A disconnection device to adequately disconnect all supply lines must be fitted.



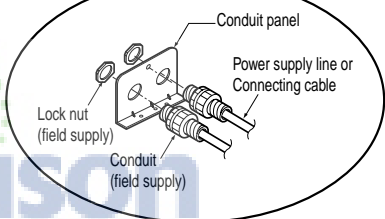
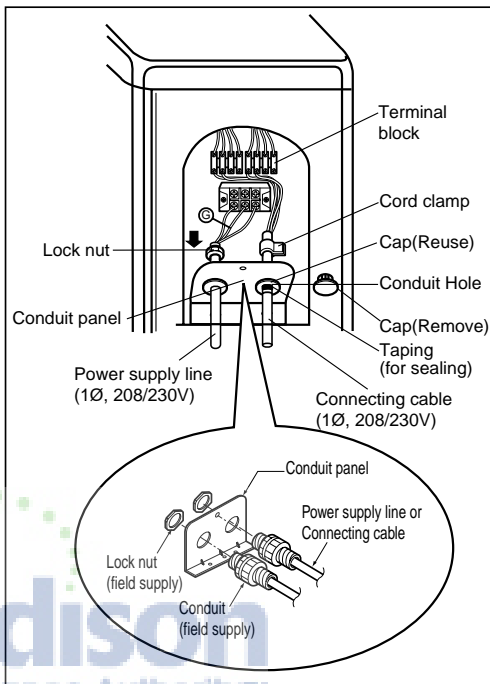
Connection method of the connecting cable(Example)

- (1) Remove two-caps on the conduit panel.
(for low voltage line)
- (2) Pull out connection cable through conduit.
- (3) After conduit to the panel, fix nut to the opposite side of panel.
- (4) Pass the connection cabel through the hole.
- (5) Properly connect the cable on the terminal block.
- (6) Fix the connection cable with cord clamp provided on the unit not to have strain at the terminal when the connection cable is pulled outside up to a 35 pound weight



WARNING: Loose wiring may cause the terminal to overheat or result in unit malfunction. A fire hazard may also exist. Therefore, be sure all wiring is tightly connected.

When connecting each power wire to the corresponding terminal, follow instructions "How to connect wiring to the terminals" and fasten the wire tightly with the fixing screw of the terminal plate.

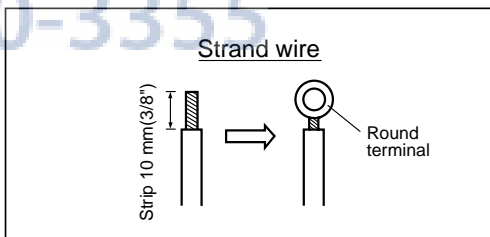


How to connect wiring to the terminals

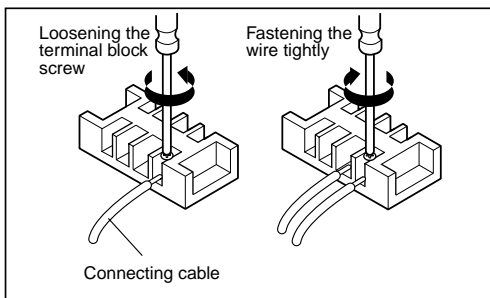
■ For strand wiring

- (1) Cut the wire end with a wire cutter or wire-cutting pliers, then strip the insulation to expose the strand wiring about 10 mm(3/8").
- (2) Using a screwdriver, remove the terminal screw(s) on the terminal plate.
- (3) Using a round terminal fastener or pliers, securely clamp each stripped wire end with a round terminal.
- (4) Position the round terminal wire, and replace and tighten the terminal screw using a screwdriver.

Power supply cable



Connecting Cable



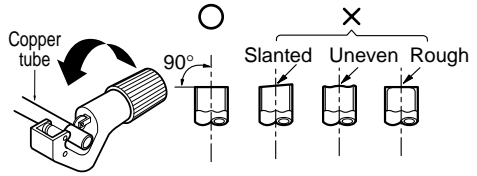
Flaring Work and Connection of Piping

Flaring work

Main cause of gas leakage is defect in flaring work. Carry out correct flaring work in the following procedure.

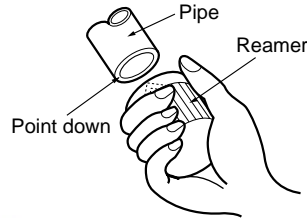
1) Cut the pipes and the cable.

- Use the accessory piping kit or the pipes purchased locally.
- Measure the distance between the indoor and the outdoor unit.
- Cut the pipes a little longer than measured distance.
- Cut the cable 1.5m(4.9ft) longer than the pipe length.



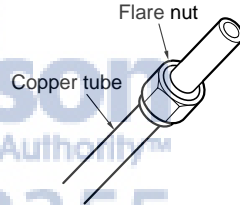
2) Burrs removal

- Completely remove all burrs from the cut cross section of pipe/tube.
- Put the end of the copper tube/pipe to downward direction as you remove burrs in order to avoid to let burrs drop in the tubing.



3) Putting nut on

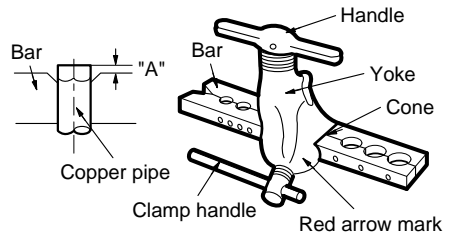
- Remove flare nuts attached to indoor and outdoor units, than put them on pipe/tube having completed burr removal. (Not possible to put them on after flaring work)



4) Flaring work

- Carry out flaring work using flaring tool as shown below.

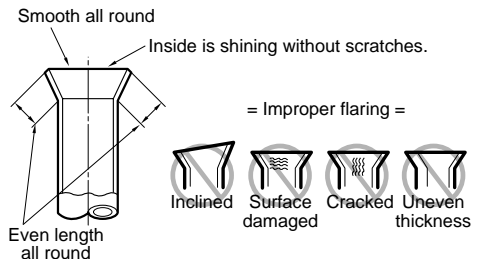
Outside diameter		A	
mm	inch	mm	inch
Ø6.35	1/4	1.1~1.3	0.04~0.05
Ø9.52	3/8	1.5~1.7	0.06~0.07
Ø12.7	1/2	1.6~1.8	0.06~0.07
Ø15.88	5/8	1.6~1.8	0.06~0.07
Ø19.05	3/4	1.9~2.1	0.07~0.08



Firmly hold copper tube in a bar(or die) as indicated dimension in the table above.

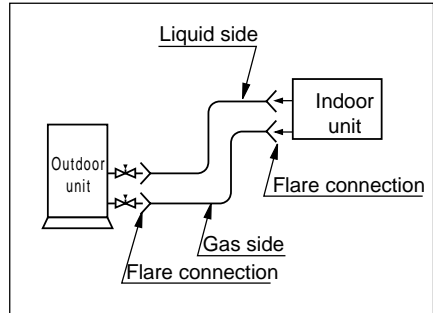
5) Check

- Compare the flared work with figure.
- If flare is noted to be defective, cut off the flared section and do flaring work again.



Piping Connection

1. Form the piping according to its routing.
Avoid bending and bending back the same piping point more than three times. (This will result in hardening the pipe.)
2. After deforming the piping, align centers of the union fitting of the indoor unit and the piping, and tighten them firmly with wrenches.
3. Connect pipe to the service valve or ball valve which is located below the outdoor unit.
4. After completing the piping connection, be sure to check if there is gas leakage in indoor and outdoor connection.

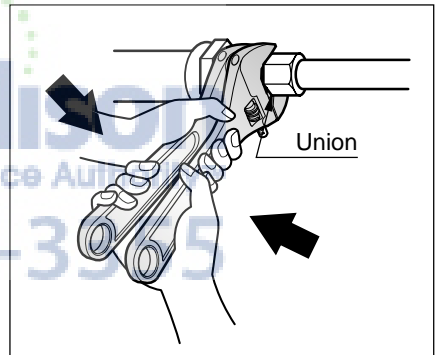


Vacuum drying

After completing the piping connection, execute vacuum drying for the connecting piping and the indoor unit. The vacuum drying must be carried out using the service ports of both the liquid and gas side valves.

CAUTION: Use two wrenches and tighten with regular torque.*

Outside diameter		torque	
mm	inch	kgf·m	(lbf·ft)
Ø6.35	1/4	1.8~2.5	(13~18)
Ø9.52	3/8	3.4~4.2	(24~30)
Ø12.7	1/2	5.5~6.6	(40~48)
Ø15.88	5/8	6.3~8.2	(46~59)
Ø19.05	3/4	9.9~12.1	(72~88)

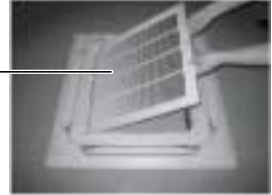


Installation to Decorative Panel

**The decorative panel has its installation direction.
Before installing the decorative panel, always remove the paper template.**

1. Remove the packing and take out air inlet grille from front panel.

Front grille



2. Remove the Corner covers of the panel.

Coner cover



3. Fit the panel on the unit by inserting hooks as shown in picture.

Hook clip
Hook



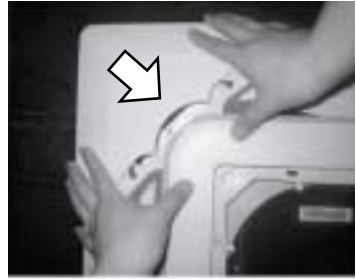
4. Insert two screws on diagonal corners of panel. Do not tighten the bolts completely. (The fixing screws are included in the indoor unit box.)

Check the alignment of panel with the ceiling. Height can be adjusted using hanging bolts as shown in picture. Insert the other two screws and tighten all screws completely.

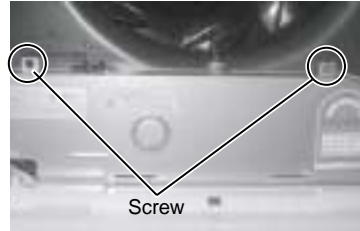



 Your Appliance Authority™
 800-570-3355

5. Fit the corner covers.



6. Open two screws of control panel cover.



7. Connect one display connector and two vane control connectors of front panel to indoor unit PCB.

The position marking on PCB is as:

Display connector : CN-DISPLAY

Vane control connector: CN-VANE 1,2



800-570-3355

CN-VANE 1,2

CN-DISPLAY

8. Close the cover for control box.

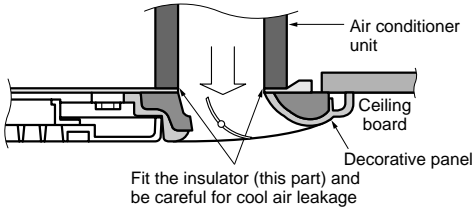


9. Install the air inlet grille and Filter on the panel.

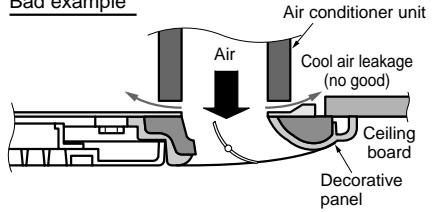


CAUTION: Install certainly the decorative panel.
Cool air leakage causes sweating. ☞ Water drops fall.

Good example



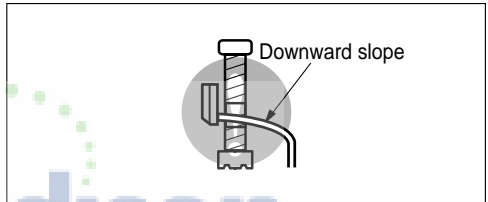
Bad example



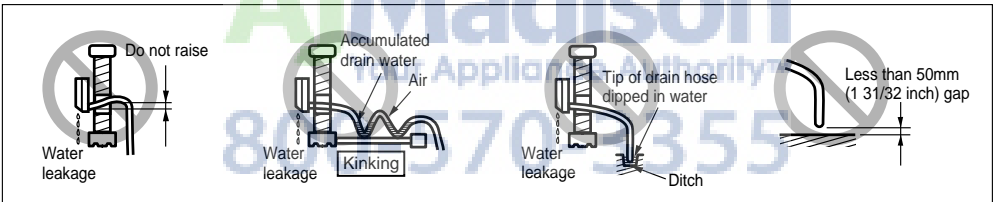
Indoor Unit Drain Piping

[Floor Standing Type]

1. The drain hose should point downward for optimum drainage.



2. Incorrect Installation Examples:

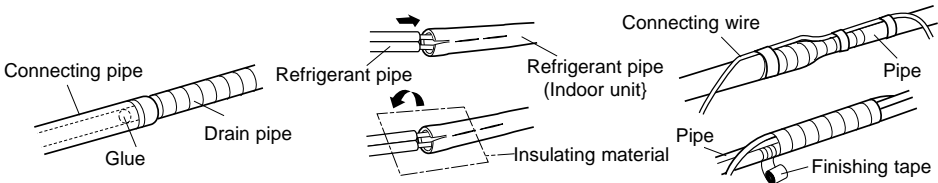


How to use the finishing tape for the drainpipe

After applying the glue, insert the drainpipe completely.

Wind the insulating material to connect the insulating material of the indoor unit and the insulating material of the connecting pipe.

Wind the finishing tape around the connecting pipe, the drainpipe, and the wire.



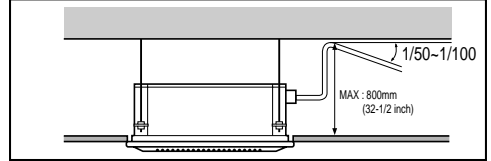
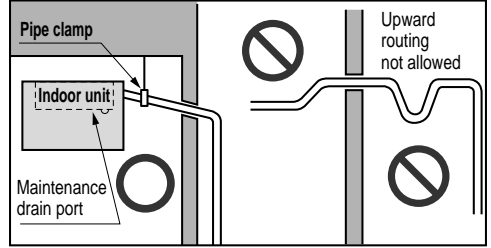
[Cassette Type]

- Drain piping must have down-slope (1/50 to 1/100): be sure not to provide up-and-down slope to prevent reversal flow.
- During drain piping connection, be careful not to exert extra force on the drain port on the indoor unit.
- The outside diameter of the drain connection on the indoor unit is 32mm(1 1/4 inch).

Piping material: Polyvinyl chloride pipe inner diameter \varnothing 25mm(1 inch) and pipe fittings

- Be sure to install heat insulation on the drain piping.

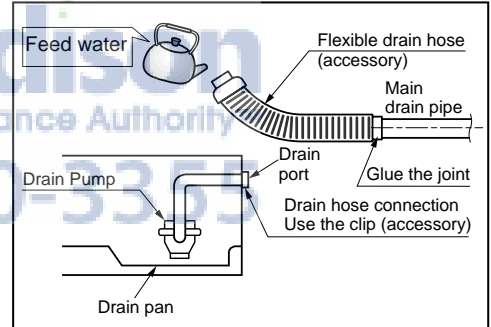
Heat insulation material: Polyethylene foam with thickness more than 8mm(5/16 inch).



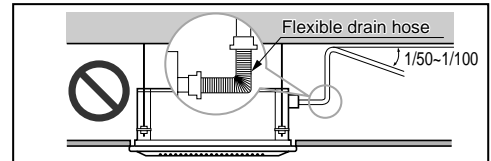
Drain test

The air conditioner uses a drain pump to drain water. Use the following procedure to test the drain pump operation:

- Connect the main drain pipe to the exterior and leave it provisionally until the test comes to an end.
- Feed water to the flexible drain hose and check the piping for leakage.
- Be sure to check the drain pump for normal operating and noise when electrical wiring is complete.
- When the test is complete, connect the flexible drain hose to the drain port on the indoor unit.



CAUTION : The supplied flexible drain hose should not be curved, neither screwed. The curved or screwed hose may cause a leakage of water.



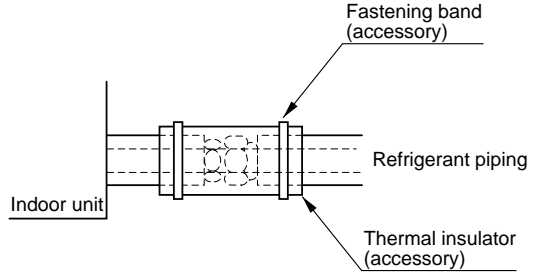
Heat insulation

1. Use the heat insulation material for the refrigerant piping which has an excellent heat-resistance [over 120°C(248°F)].

2. Precautions in high humidity circumstance:

This air conditioner has been tested according to the "KS Standard Conditions with Mist" and confirmed that there is not any default. However, if it is operated for a long time in high humid atmosphere [dew point temperature: more than 23°C(73.4°F)], water drops are liable to fall. In this case, add heat insulation material according to the following procedure:

- Heat insulation material to be prepared... Adiabatic glass wool with thickness 10 to 20mm.
- Stick glass wool on all air conditioners that are located in ceiling atmosphere.



Attention

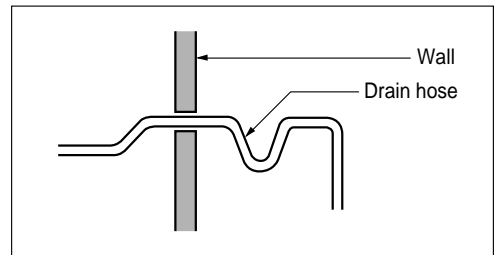
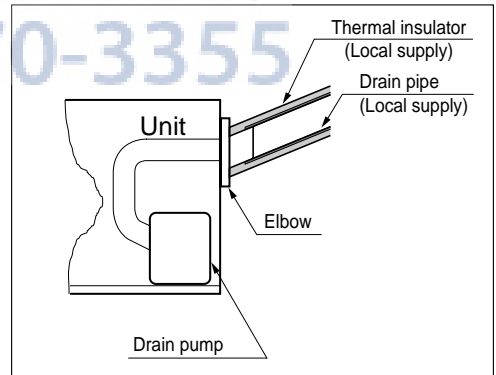
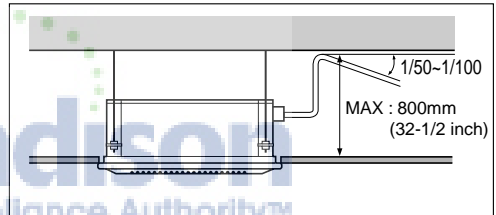
1. Possible drain-head height is up to 700mm(27 9/16 inch). So, it must be installed below 800mm (32-1/2 inch).

2. Keep the drain hose downward up to 1/50~1/100 inclination. Prevent any upward flow or reverse flow in any part.

3. 5mm(3/16 inch) or thicker formed thermal insulator is provided for the drain pipe.

4. Upward routing is not allowed.

5. Be sure to check the drain pump for normal operation and abnormal noise when electrical wiring is complete.



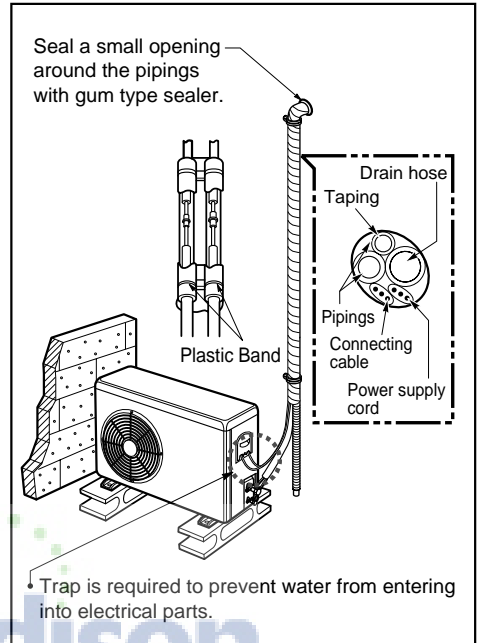
Forming the piping

Form the piping by wrapping the connecting portion of the indoor unit with insulation material and secure it with two kinds of vinyl tape.

- If you want to connect an additional drain hose, the end of the drain outlet should be routed above the ground. Secure the drain hose appropriately.

In cases where the outdoor unit is installed below the indoor unit perform the following.

1. Tape the piping, drain hose and connecting cable from down to up.
2. Secure the tapped piping along the exterior wall using saddle or equivalent.

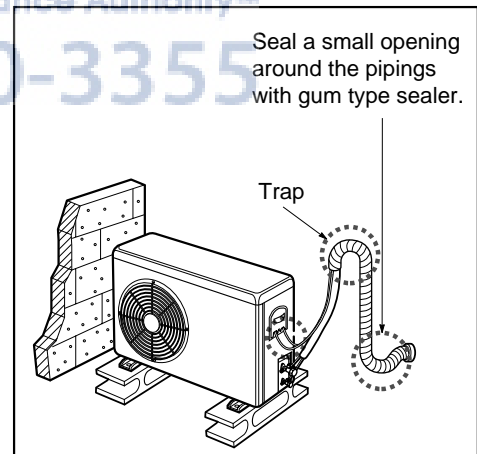


In cases where the Outdoor unit is installed above the Indoor unit perform the following.

1. Tape the piping and connecting cable from down to up.
2. Secure the taped piping along the exterior wall. Form a trap to prevent water entering the room.
3. Fix the piping onto the wall by saddle or equivalent.

Settlement of outdoor unit

1. Anchor the outdoor unit with a bolt and nut[$\varnothing 10\text{mm}(0.39\text{in})$] tightly and horizontally on a concrete or rigid mount.
2. When installing on the wall, roof or rooftop, anchor the mounting base securely with a nail or wire assuming the influence of wind and earthquake.
3. If the vibration of the unit is transmitted to the hose, secure the unit with an anti-vibration rubber.



Test running

1. PRECAUTIONS IN TEST RUNNING

- The initial power supply must provide at least 90% of the rated voltage. Otherwise, the air conditioner should not be operated.



CAUTION ① For test run, carry out the cooling operation firstly even during heating season. If heating operation is carried out firstly, it leads to the trouble of compressor. Then attention must be paid.

- ② Carry out the test run more than 5 minutes without fail.
(Test run will be cancelled 18 minutes later automatically)

CHECK THE FOLLOWING ITEMS WHEN INSTALLATION IS COMPLETE

- After completing work, be sure to measure and record trial run properties, and store measured data, etc.
- Measuring items are room temperature, outside temperature, suction temperature, blow out temperature, wind velocity, wind volume, voltage, current, presence of abnormal vibration and noise, operating pressure, piping temperature, compressive pressure.
- As to the structure and appearance, check following items.

- | | |
|--|--|
| <input type="checkbox"/> Is the circulation of air adequate? | <input type="checkbox"/> Is the remote controller switch operated? |
| <input type="checkbox"/> Is the draining smooth? | <input type="checkbox"/> Is there any faulty wiring? |
| <input type="checkbox"/> Is the heat insulation complete (refrigerant and drain piping)? | <input type="checkbox"/> Are not terminal screws loosened? |
| <input type="checkbox"/> Is there any leakage of refrigerant? | |

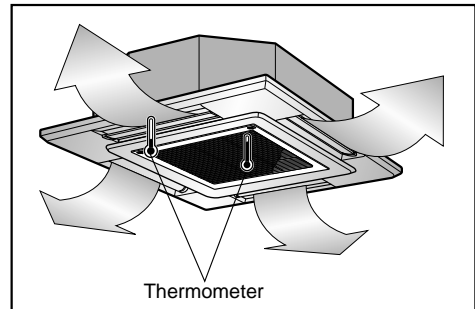
M4.....118N·cm{12kgf·cm} M5.....196N·cm{20kgf·cm}
M6.....245N·cm{25kgf·cm} M8.....588N·cm{60kgf·cm}

2. Connection of power supply

1. Connect the power supply cord to the independent power supply.
 - Circuit breaker is required.
2. Operate the unit for fifteen minutes or more.

3. Evaluation of the performance

1. Measure the temperature of the intake and discharge air.
2. Ensure the difference between the intake temperature and the discharge one is more than 8°C (Cooling) or reversely (Heating).

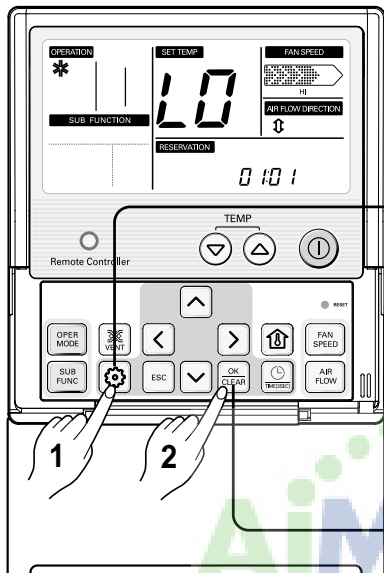


Installer Setting -Test Run Mode

Cassette type

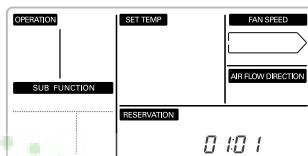
After installing the product, you must run a Test Run mode.

For details related to this operation, refer to the product manual.

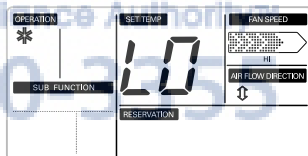


- 1** Keep pressing  button setting for 4 secs to enter installer setting mode until code displayed in timer segment.

0 10 1
 ↓ ↓
 Function Code Set

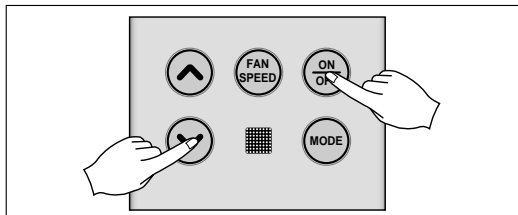


- 2** Press  button to start.



Floor Standing type

Push the temperature low key and On/Off Key For over 3 sec simultaneously indoor side



- * 18°C cooling, High Fan Speed, Airflow direction mode will be operated during 18 minutes with ignoring room temperature.
- * After running 18 minutes under test run mode, system will automatically turn OFF.
- * In case of duct type, the Airflow UP/DOWN function is not displayed.
- * During test run mode, receiving signal from wireless remote controller will release this operation. If you press any kind of button, Test Run mode will be released.



CAUTION: After the confirmation of the above conditions, prepare the wiring as follows:

- 1) Never fail to have an individual power specialized for the air conditioner. As for the method of wiring, be guided by the circuit diagram pasted on the inside of control box cover.
- 2) Provide a circuit breaker switch between power source and the unit.
- 3) The screw which fasten the wiring in the casing of electrical fittings are liable to come loose from vibrations to which the unit is subjected during the course of transportation. Check them and make sure that they are all tightly fastened. (If they are loose, it could give rise to burn-out of the wires.)
- 4) Specification of power source
- 5) Confirm that electrical capacity is sufficient.
- 6) Be sure that the starting voltage is maintained at more than 90 percent of the rated voltage marked on the name plate.
- 7) Confirm that the cable thickness is as specified in the power sources specification.
(Particularly note the relation between cable length and thickness.)
- 8) Never fail to equip a leakage breaker where it is wet or moist.
- 9) The following troubles would be caused by voltage drop-down.
 - Vibration of a magnetic switch, damage on the contact point there of, fuse breaking, disturbance to the normal function of a overload protection device.
 - Proper starting power is not given to the compressor.

HAND OVER

Teach the customer the operation and maintenance procedures, using the operation manual (air filter cleaning, temperature control, etc.).

Leakage test and Evacuation

Air and moisture remaining in the refrigerant system have undesirable effects as indicated below.

1. Pressure in the system rises.
2. Operating current rises.
3. Cooling(or heating) efficiency drops.
4. Moisture in the refrigerant circuit may freeze and block capillary tubing.
5. Water may lead to corrosion of parts in the refrigeration system.

Therefore, the indoor/outdoor unit and connecting tube must be checked for leaks, and vacuumed to remove incondensable gas and moisture in the system.

Leak Checking

Preparation

- Check that each tube(both liquid and gas side tubes) between the indoor and outdoor units have been properly connected and all wiring for the test run has been completed. Remove the service valve caps from both the gas and the liquid sides on the outdoor unit. Check that both the liquid and the gas side service valves on the outdoor unit are kept closed at this stage.

Leakage test

- Connect the manifold valve(with pressure gauges) and dry nitrogen gas cylinder to this service port with charge hoses.

CAUTION: Be sure to use a manifold valve for leak testing.

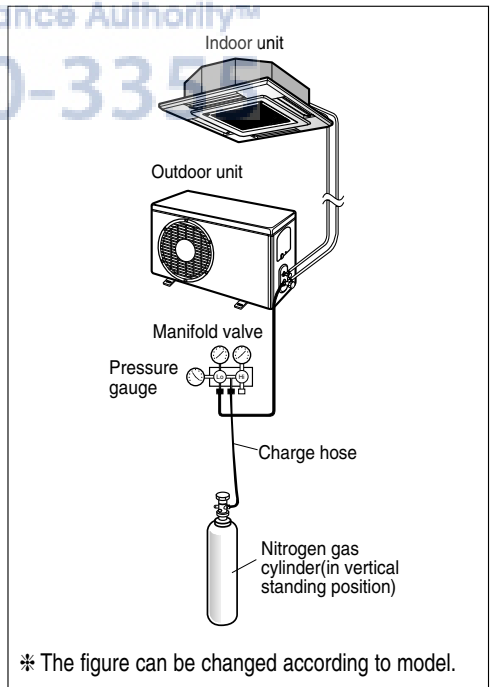
The high side manifold valve must always be kept closed.

- Pressurize the system to no more than 150 P.S.I.G. with dry nitrogen gas and close the cylinder valve when the gauge reading reached 150 P.S.I.G. Next, test for leaks with liquid soap.

CAUTION: To avoid nitrogen entering the refrigerant system in a liquid state, the top of the cylinder must be higher than its bottom when you pressurize the system. Usually, the cylinder is used in a vertical standing position.

NOTICE : Leakage testing should be done for each indoor unit connection set, separately.

1. Do a leakage test of all joints of the tubing(both indoor and outdoor) and both gas and liquid side service valves with soap bubbles. Bubbles indicate a leak. Be sure to wipe off the soap with a clean cloth.
2. After the system is found to be free of leaks, relieve the nitrogen pressure by loosening the charge hose connector at the nitrogen cylinder. When the system pressure is reduced to normal, disconnect the hose from the cylinder.



Evacuation

1. Connect the charge hose end described in the preceding steps to the vacuum pump to evacuate the tubing and indoor unit. Confirm the "Lo" knob of the manifold valve is open. Then, run the vacuum pump. The operation time for evacuation varies with tubing length and capacity of the pump.

[Each Room] The vacuum pump must be operated less than 0.8torr of the gage pressure.

2. When the desired vacuum is reached, close the "Lo" knob of the manifold valve and stop the vacuum pump.

Finishing the job

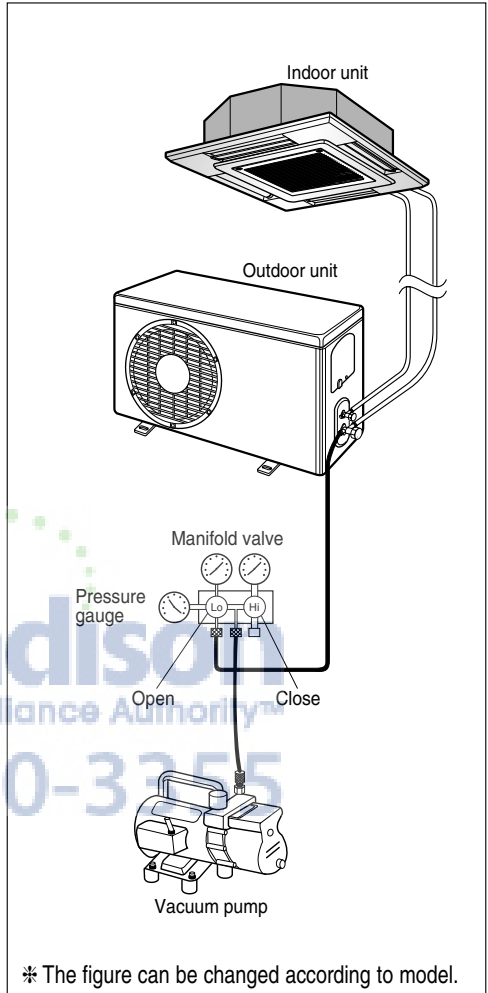
1. With a service valve wrench, turn the valve stem of liquid side valve counter-clockwise to fully open the valve.
2. Turn the valve stem of gas side valve counter-clockwise to fully open the valve.
3. Loosen the charge hose connected to the gas side service port slightly to release the pressure, then remove the hose.
4. Replace the flare nut and its bonnet on the gas side service port and fasten the flare nut securely with an adjustable wrench. This process is very important to prevent leakage from the system.
5. Replace the valve caps at both gas and liquid side service valves and fasten them tight.

This completes air purging with a vacuum pump.

The air conditioner is now ready for test running.

NOTICE

: Repeat evacuation procedure for each indoor unit.



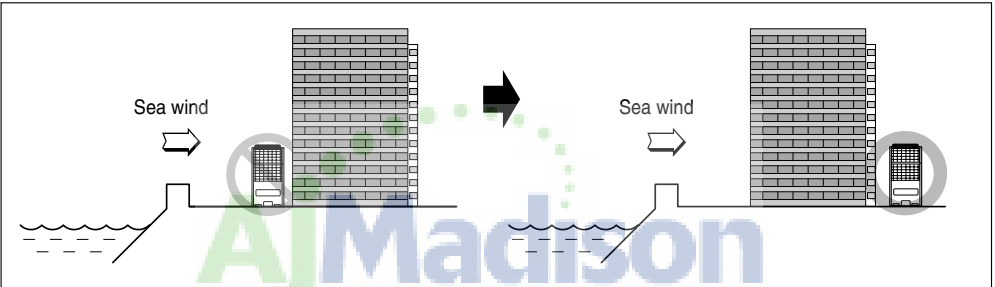
Installation guide at the seaside

⚠ CAUTION

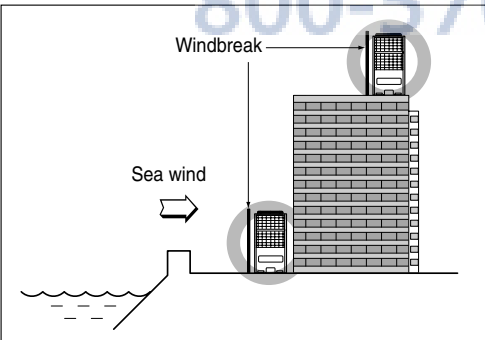
1. Air conditioners should not be installed in areas where corrosive gases, such as acid or alkaline gas, are produced.
2. Do not install the product where it could be exposed to sea wind (salty wind) directly. It can result corrosion on the product. Corrosion, particularly on the condenser and evaporator fins, could cause product malfunction or inefficient performance.
3. If outdoor unit is installed close to the seaside, it should avoid direct exposure to the sea wind. Otherwise it needs additional anticorrosion treatment on the heat exchanger.

Selecting the location(Outdoor Unit)

- 1) If the outdoor unit is to be installed close to the seaside, direct exposure to the sea wind should be avoided. Install the outdoor unit on the opposite side of the sea wind direction.



- 2) In case, to install the outdoor unit on the seaside, set up a windbreak not to be exposed to the sea wind.



- It should be strong enough like concrete to prevent the sea wind from the sea.
- The height and width should be more than 150% of the outdoor unit.
- It should be keep more than 70 cm of space between outdoor unit and the windbreak for easy air flow.

- 3) Select a well-drained place.

※ 1. If you can't meet above guide line in the seaside installation, please contact LG Electronics for the additional anticorrosion treatment.

2. Periodic (more than once/year) cleaning of the dust or salt particles stuck on the heat exchanger by using water

LG

Climatiseur

MANUALE D'INSTALLAZIONE



IMPORTANTE

- Veuillez lire au complet ce manuel d'instructions avant installer le produit.
- Conformément aux standards nationaux sur le câblage, l'installation ne doit être effectuée que par du personnel autorisé.
- Après l'avoir lu au complet, veuillez conserver ce manuel d'installation pour référence ultérieure.

IMPORTANT!

Veillez lire ces instructions au complet avant d'installer ce produit.

Ce système de climatisation réunit strictement les standards de sécurité et de fonctionnement. En tant qu'installateur ou technicien spécialisé, une partie importante de votre travail consiste à installer et à réaliser le service technique de ce système d'une manière telle qu'il fonctionne de façon sûre et efficiente.



PRÉCAUTION

- Une installation ou une réparation réalisées par des personnes non qualifiées peut provoquer des accidents.
- L'installation DOIT être réalisée conformément aux codes de construction locaux ou, en absence de ces codes, conformément au Code électrique national NFPA 70/ANSI C1-1993 ou l'édition en vigueur, et conformément au Code électrique canadien Partie 1 CSA C.22.1.
- L'information contenue dans ce manuel a été conçue pour être utilisée par un technicien qualifié, informé des procédures de sécurité et équipé avec les outils et les instruments d'essai appropriés.
- Si les instructions de ce manuel ne sont pas lues avec soin et respectées, cela peut provoquer un mauvais fonctionnement de l'appareil, un dommage du bien, des blessures personnelles, voire la mort.

ATTENTION: Un défaut d'installation, du service technique ou dans l'entretien, et une réparation ou une modification inappropriées peuvent annuler la garantie.

Le poids de l'unité de condensation exige des précautions et des procédures de manipulation appropriées au moment de déposer ou déplacer l'unité afin d'éviter des blessures personnelles. Veillez à éviter également le contact avec les bords pointus ou aiguisés.

Mesures de sécurité

- Utilisez toujours des protections de sécurité pour les yeux et des gants de travail lors de l'installation de l'appareil.
- Assurez-vous toujours que l'alimentation soit coupée. Vérifiez-le à l'aide des dispositifs et des instruments appropriés.
- Gardez les mains loin du ventilateur lorsque l'appareil est branché.
- Le R-410A provoque des gelures.
- Le R-410A est toxique lorsqu'il est brûlé.

REMARQUE POUR L'INSTALLATEUR :

Les Instructions pour le propriétaire et la Garantie sont remises au propriétaire ou affichées clairement près de l'unité intérieure de contrôle d'air/chauffage.



Précautions spéciales

Lors du câblage :

Un choc électrique peut provoquer des blessures personnelles graves, voire la mort. Seulement un électricien qualifié et expérimenté doit réaliser le câblage du système.

- Ne mettez pas l'unité sous tension jusqu'à ce que tout le câblage et le drainage soient complétés ou rebranchés et vérifiés.
- Des voltages électriques très dangereux sont utilisés dans ce système. Lisez avec soin le diagramme de câblage et ces instructions lors du câblage. Des connexions inappropriées et une mise à la terre incorrecte peuvent provoquer des blessures, voire la mort.
- Mettez l'unité à la terre suivant les codes électriques locaux.
- Serrez bien les câbles. Un câble mal serré peut provoquer la surchauffe des points de connexion et constitue un risque d'incendie.

Lors du transport :

Levez et transportez avec soin les unités intérieure et extérieure.

Cherchez de l'aide pour le faire et fléchissez vos genoux pour le déposer afin d'éviter l'effort de votre dos. Les bords aiguisés ou les rebords tranchants d'aluminium du climatiseur peuvent vous couper les doigts.

Lors de l'installation...

...dans un mur : assurez-vous que le mur soit assez fort pour supporter le poids de l'unité.

Il peut être nécessaire de construire un cadre en bois ou en métal afin d'assurer un support supplémentaire.

...dans une pièce : Isolez de façon appropriée toute la tuyauterie de drainage dans la pièce pour éviter la « transpiration », qui peut provoquer des égouttements et des problèmes d'humidité dans les murs et les planchers.

...dans des endroits humides ou non nivelés : Utilisez une base de béton ou des blocs de béton pour donner une base solide et nivelée à l'unité extérieure.

Cela prévient les problèmes d'humidité et les vibrations anormales.

...dans un secteur avec des vents très forts : Ancrez l'unité extérieure solidement à l'aide de boulons et d'un cadre métallique. Assurez un flux d'air approprié.

...dans un secteur où il neige beaucoup (seulement pour le modèle Pompe à chaleur) : Installez l'unité extérieure sur une plateforme élevée, qui se trouve au-dessus du niveau de la neige tombée. Installez des conduits d'échappement de neige.

Lors de la connexion de la tuyauterie de réfrigération

- Gardez tous les drainages les plus courts possible.
- Utilisez la méthode d'évasement pour raccorder les tuyaux.
- Vérifiez soigneusement s'il y a des pertes avant de commencer le drainage d'essai.

Lors de la réparation

- Coupez l'alimentation principale (dans le tableau d'alimentation principale) avant d'ouvrir l'unité pour vérifier ou réparer les pièces et les câbles électriques.
- Éloignez vos doigts et vos vêtements de toutes les pièces mobiles.
- Nettoyez le secteur après avoir fini. Assurez-vous qu'il n'y ait pas de tournure de fer ni de morceaux de câbles à l'intérieur de l'unité réparée.

TABLE DES MATIÈRES

Mesures de sécurité	4
Installation des unités interne et externe	7
Installation de l'unité interne	10
Installation de la télécommande à fil	13
Connexion des câbles	16
Connexion des conduits à l'unité interne.....	21
Installation du panneau décoratif.....	23
Conduits de drainage unité interne.....	25
Test de fonctionnement.....	29
Test de fuite et évacuation.....	32
Guide d'installation en bord de merr	34



Mesures de sécurité

Les instructions ci-après doivent être observées dans le but de prévenir tout risque de dommages corporels ou matériels.

- Veillez à lire ce manuel avant d'installer le climatiseur.
- Veillez à observer les précautions spécifiées dans ce manuel, puisqu'elles incluent d'items importants concernant la sécurité.
- L'utilisation non conforme, résultant de la négligence des instructions, est susceptible de provoquer des dommages corporels ou matériels dont la gravité est signalée par les indications suivantes :

⚠ AVERTISSEMENT Ce symbole indique un risque de blessure grave, voire mortelle.

⚠ ATTENTION Ce symbole indique un risque de blessure ou des dommages matériels seulement.

- Les significations des symboles utilisés dans ce manuel sont indiquées ci-dessous.



Veillez à ne pas faire cela.



Veillez à suivre les instructions de ce manuel.

⚠ AVERTISSEMENT

■ Installation

Mettez toujours à terre le produit.

N'utilisez pas un cordon d'alimentation, une fiche d'alimentation ou une prise de courant endommagés.

Pour l'installation du produit, contactez toujours le centre après-vente ou un service d'installation professionnel.

- Autrement, vous risquez de provoquer un choc électrique.
- Autrement, vous risquez de causer un incendie ou un choc électrique.
- Autrement, vous risquez de provoquer un incendie, un choc électrique, une explosion ou des blessures.

Fixez correctement le couvercle de protection des pièces électriques à l'unité intérieure et le panneau de service à l'unité extérieure.

Installez toujours un interrupteur pour fuites d'air et un tableau électrique spécialisé.

Ne rangez ni n'utilisez de gaz inflammable ni de combustibles près du climatiseur.

- Si le couvercle de protection des pièces électriques de l'unité intérieure et le panneau de service de l'unité extérieure ne sont pas bien fixés, cela peut provoquer un incendie ou un choc électrique dus à la poussière, à l'eau, etc.
- Ne pas le faire peut provoquer un incendie ou un choc électrique.
- Autrement, vous risquez de provoquer un incendie ou le mauvais fonctionnement de l'appareil.

Assurez-vous que le cadre d'installation de l'unité extérieure ne soit pas endommagé à cause d'une utilisation prolongée.

- Cela peut provoquer des blessures ou un accident.

Ne démontez ni ne réparez le produit en n'importe quel point.

- Cela peut provoquer un incendie ou un choc électrique.

N'installez pas le produit dans un endroit d'où il puisse tomber.

- Autrement, vous risquez de blesser quelqu'un.

Soyez prudent pendant le déballage et l'installation.

- Les bords aiguisés peuvent provoquer des blessures.

■ Fonctionnement

Ne partagez pas la prise avec d'autres appareils.

- Cela peut provoquer un choc électrique ou un incendie à cause de la génération de chaleur.

N'utilisez pas un cordon d'alimentation endommagé.

- Vous risquez de provoquer un incendie ou un choc électrique.

Ne modifiez ni ne rallongez le cordon d'alimentation en n'importe quel point.

- Autrement, vous risquez de provoquer un incendie ou un choc électrique.

Veillez à ce que le cordon d'alimentation ne soit pas tiré en cours de fonctionnement.

- Autrement, vous risquez de provoquer un incendie ou un choc électrique.

Débranchez l'unité si vous constatez la présence de bruits étranges, d'odeurs ou de fumée provenant de l'appareil.

- Autrement, vous risquez de provoquer un incendie ou un choc électrique.

Évitez le contact avec des flammes.

- Autrement, vous risquez de provoquer un incendie.

A l'occasion, débranchez la fiche d'alimentation, en la prenant par la tête, et ne la touchez pas avec les mains mouillées.

- Autrement, vous risquez de provoquer un incendie ou un choc électrique.

N'utilisez pas le cordon d'alimentation près des dispositifs de chauffage.

- Autrement, vous risquez de provoquer un incendie ou un choc électrique.

N'ouvrez pas l'ouverture d'aspiration de l'unité intérieure/extérieure en cours de fonctionnement.

- Autrement, vous risquez de provoquer un choc électrique ou un mauvais fonctionnement.

Ne permettez pas que de l'eau entre en contact avec les pièces électriques.

- Autrement, vous risquez de provoquer le mauvais fonctionnement de l'appareil ou un choc électrique.

Prenez la fiche d'alimentation par la tête lorsque vous la débranchez.

- Cela peut provoquer un choc électrique ou des dommages.

Ne touchez jamais les pièces métalliques de l'unité lorsque vous retirez le filtre.

- Elles sont aiguisées et peuvent provoquer des blessures.

Ne montez sur l'appareil ni n'y placez aucun objet.

- Autrement, vous risquez de vous blesser en tombant de l'appareil.

Contactez le service après-vente si le produit est submergé dans l'eau.

- Autrement, vous risquez de causer un incendie ou un choc électrique.

Ne placez pas d'objet lourd sur le cordon d'alimentation.

- Autrement, vous risquez de provoquer un incendie ou un choc électrique.

Veillez à ce que les enfants ne montent pas sur l'unité extérieure.

- Autrement, ils risquent d'être sérieusement blessés en tombant.

ATTENTION

■ Installation

Installez le raccord de drainage de manière à assurer un drainage convenable.

- Autrement, vous risquez de causer une fuite d'eau.

Installez le produit de sorte que vos voisins ne soient pas dérangés par le bruit ou par le vent chaud venant de l'unité extérieure.

- Autrement, vous risquez de susciter des querelles avec les voisins.

Après l'installation ou la réparation du produit, veillez toujours à vérifier qu'il n'y ait pas de fuite de gaz.

- Autrement, vous risquez de causer le mauvais fonctionnement de l'appareil.

Maintenez le niveau lors de l'installation du produit.

- Autrement, vous risquez de provoquer des vibrations ou une fuite d'eau.

■ Fonctionnement

Évitez le refroidissement excessif et aérez parfois.

- Autrement, vous risquez de nuire à votre santé.

Utilisez un tissu doux pour nettoyer l'appareil. N'employez ni de cire, ni de diluant ni de détergent fort.

- Autrement, vous risquez de détériorer l'aspect de l'appareil, changer sa couleur ou provoquer des défauts sur sa surface.

N'utilisez pas le produit à des buts particuliers, tels que la préservation d'animaux, de plantes, de dispositifs de précision ou d'objets d'art, etc.

- Autrement, vous risquez d'endommager vos biens.

Ne placez pas d'obstacles autour de l'entrée ou de la sortie du flux d'air.

- Autrement, vous risquez de provoquer le mauvais fonctionnement de l'appareil ou un accident.

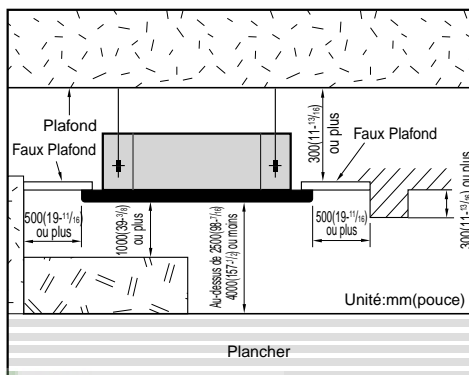
Installation des unités interne et externe

Sélection du meilleur emplacement

1. Unité interne

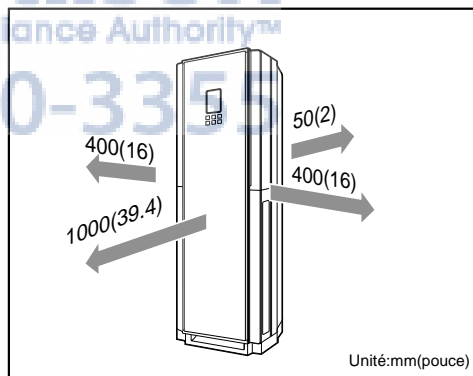
Modèle cassette

- Il ne doit pas y avoir d'autres sources de chaleur ou de vapeur à côté de l'unité.
- Il ne doit y avoir aucun obstacle qui puisse bloquer la circulation de l'air.
- Un emplacement où la circulation de l'air dans la pièce est bonne.
- Un emplacement où le drainage peut être facilement réalisé.
- Un emplacement où une protection contre le bruit est prise en considération.
- N'installez pas l'unité à côté d'une porte.
- Assurez-vous des espaces indiqués par les flèches depuis le mur, le plafond ou d'autres obstacles.
- L'unité interne doit avoir un espace pour l'entretien.



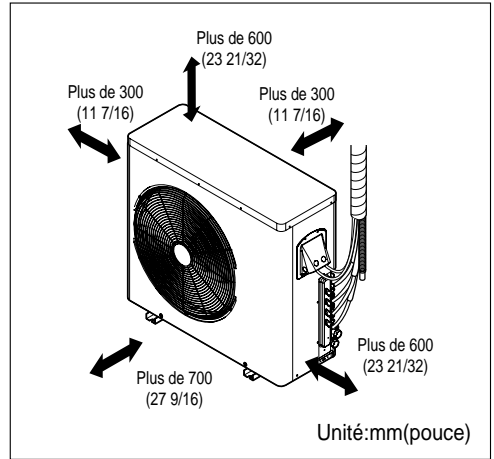
Type unité au sol

- Il ne doit pas y avoir de sources de chaleur ou de vapeur à côté de l'unité.
- Il ne doit pas y avoir d'obstacles à la circulation de l'air.
- Un bon emplacement est là où la circulation de l'air dans la pièce est bonne.
- Un emplacement où le drainage peut facilement être réalisé.
- Un emplacement où la prévention contre le bruit est prise en considération.
- N'installez pas l'unité à côté d'une porte de passage.
- Assurez-vous que les espaces indiqués par les flèches, depuis le mur, le plafond, les clôtures, ou d'autres obstacles sont bien appliqués.
- L'unité interne doit avoir un espace pour l'entretien.



2. Unité extérieure

1. Si un auvent est construit au-dessus de l'unité pour la protéger de la lumière directe du soleil ou de la pluie, assurez-vous de ne pas restreindre la radiation de chaleur du condenseur.
2. Assurez-vous de respecter les distances indiquées par les flèches autour de l'avant, l'arrière et les latéraux de l'unité.
3. Ne placez pas d'animaux ou de plantes dans la trajectoire de l'air tiède.
4. Tenez compte du poids du climatiseur et choisissez un endroit où le bruit et la vibration soient minimum.
5. Sélectionnez l'emplacement de telle sorte que l'air tiède et le bruit ne dérangent pas les voisins.

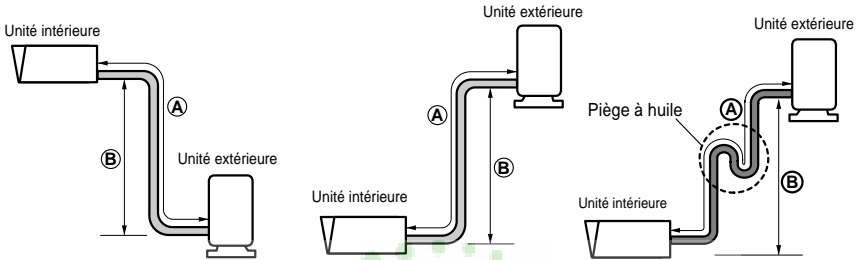


AjMadison
Your Appliance Authority™
800-570-3355

3. Longueur et élévation de la tuyauterie

CAPACITÉ	Dimensions du tuyau Unité : mm(inch)		Longueur A Unité: m(ft)		Elevazione B Unité: m(ft)		*Réfrigéra supplémentaire Unité : g/m(oz/ft)
	Gaz	Liquide	Standard	Maximum	Standard	Maximum	
24k Btu/h	15.88(5/8)	9.5(3/8)	7.5(25)	50(164) Modèle cassette	5(16)	30(98) Modèle cassette	35(0.38)
				30(98) Type unité au sol		20(66) Type unité au sol	

FRANÇAIS



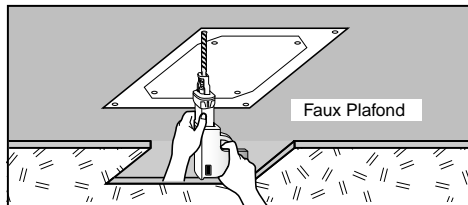
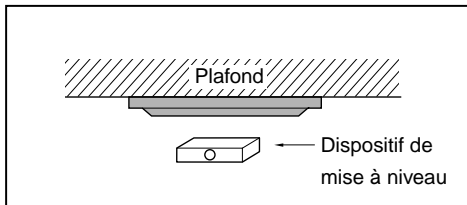
PRECAUTION:

- Performance nominale pour longueur ligne réfrigérant de 7,5 m(25ft)
- La capacité est basée sur la longueur standard et la longueur maximale permise est en fonction de la fiabilité.
- Une charge frigorifique inappropriée peut provoquer un cycle anormal.
- Un piège à huile doit être installé tous les 10 mètres(32.8 ft).

800-570-3355

Installation de l'unité interne

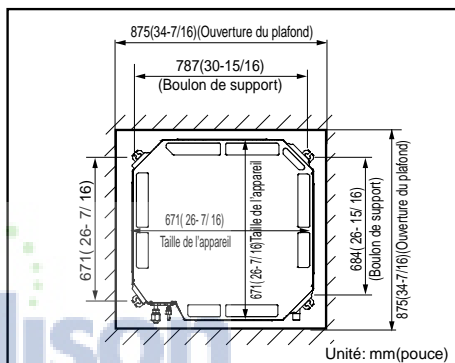
1. Modèle cassette



TM/TN/TP Série

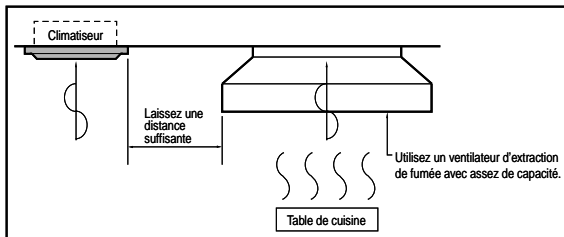
ATTENTION:

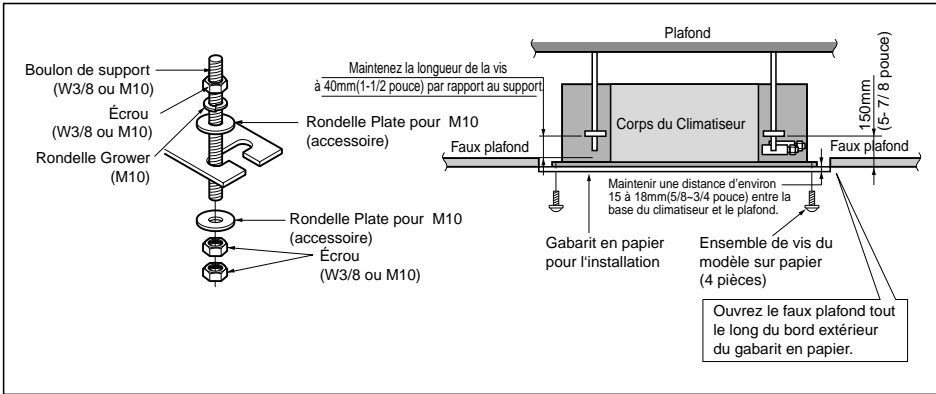
- Ce climatiseur utilise une pompe de relevage.
 - Installez l'unité horizontalement à l'aide d'un dispositif de mise à niveau.
 - Prenez soin de ne pas abîmer les câbles électriques pendant l'installation.
- Sélectionnez et marquez la position pour les vis de fixation et l'orifice des tuyaux.
 - Une fois la direction du raccord de drainage décidée, déterminez la position des vis de fixation de telle sorte qu'ils soient légèrement inclinés.
 - Faites le perçement du mur pour la vis d'ancrage.



REMARQUE:

- Évitez les emplacements suivants pour effectuer l'installation :
 1. Des endroits tels que des restaurants et des cuisines, où il se produit une quantité considérable de vapeur d'huile et de farine. Celles-ci peuvent réduire l'efficacité de l'échange de chaleur, générer des gouttes d'eau ou bien entraîner le mauvais fonctionnement de la pompe de relevage. Dans ces cas-là, prenez les mesures suivantes:
 - Assurez-vous que le flux d'air de l'extracteur suffit à évacuer tous les gaz nocifs de la pièce.
 - Installez le climatiseur à une distance suffisante de la cuisine, à fin d'éviter qu'il ne puisse aspirer les vapeurs d'huile.
 2. Évitez d'installer le climatiseur dans des endroits où de l'huile de cuisine ou de la poudre de fer sont produites.
 3. Évitez les endroits où du gaz inflammable est produit.
 4. Évitez les endroits où des gaz nocifs sont produits.
 5. Évitez les endroits à proximité de générateurs à haute fréquence.





• Vous pouvez choisir les pièces suivantes.

- ① Boulon de fixation W 3/8 ou M10
- ② Écrou - W 3/8 ou M10
- ③ Rondelle M10
- ④ Rondelle plate M10

• Percez l'ouverture pour les conduits dans le mur légèrement inclinée vers l'extérieur en utilisant une mèche de perceuse de 70.

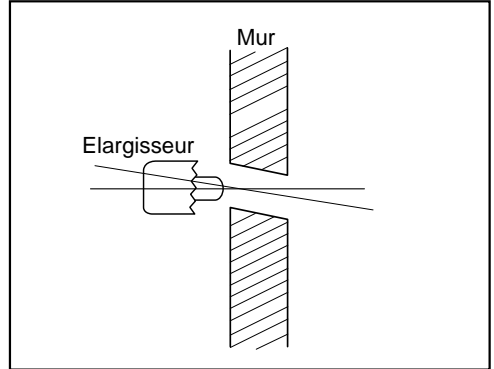
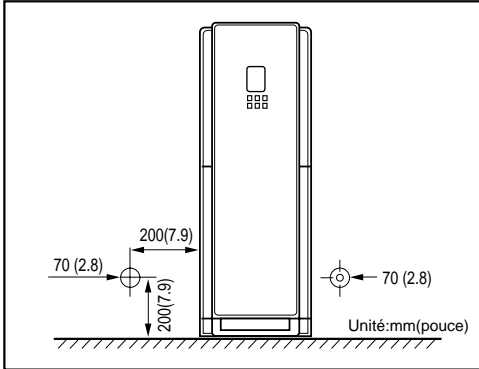


ATTENTION:

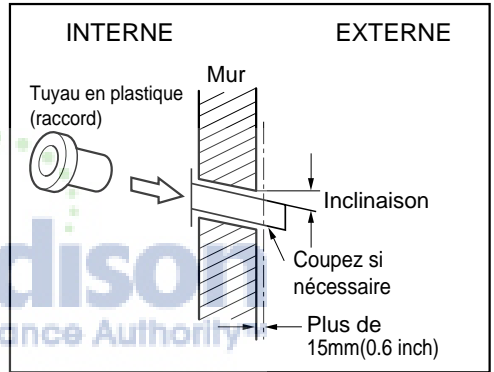
Serrez l'écrou et la vis pour éviter la chute de l'unité.



2. Type unité au sol



1. Le plancher doit être résistant et solide pour le protéger des vibrations.
2. Faites une ouverture pour les tuyaux avec un élargisseur de 70 mm de diamètre à droite ou à gauche de l'unité interne. L'ouverture doit arriver à l'extérieur.
3. Introduisez le tuyau en plastique à travers l'ouverture.
4. Coupez, si nécessaire, la partie du tuyau en plastique qui dépasse à l'extérieur.



800-570-3355

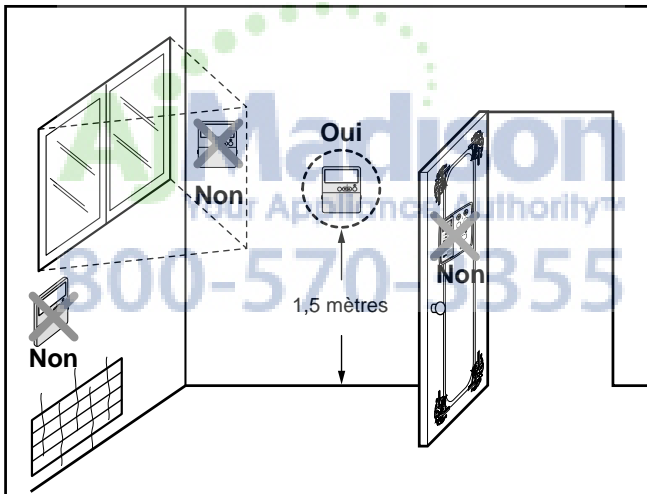
Installation de Preparation de la Télécommande

Installation de la télécommande à fil

- Étant donné que le capteur de température ambiante se trouve dans le boîtier de la télécommande, celui-ci doit être installé de manière à NE PAS être exposé à la lumière directe du soleil, à une humidité importante et/ou à un courant d'air frais, afin que le système de climatisation puisse maintenir correctement la température désirée. Installez la télécommande à environ 1,5 m au-dessus du sol, dans un endroit bien ventilé et dont la température est représentative.

N'installez pas la télécommande dans un endroit affecté par les caractéristiques et/ou conditions suivantes :

- Courants d'air ou zones de stagnation d'air (ex : derrière une porte ou dans un angle fermé).
- Air chaud ou froid provenant d'un conduit de ventilation.
- Chaleur radiante provenant du soleil ou d'appareils.
- Tuyaux et cheminées dissimulés.
- Zones non maîtrisées (ex : mur extérieur derrière la télécommande).
- Cette télécommande est équipée d'un afficheur DEL à sept segments. Pour une lecture aisée de l'afficheur, installez la télécommande en suivant les indications de la Fig. 1 ci-dessous.

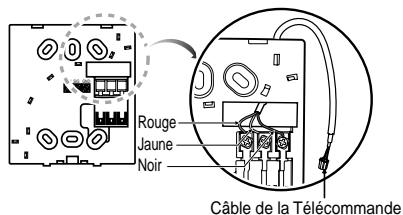


(Fig.1)

Installation de la commande à distance (Modèle cassette)

1. Connectez le câble de la télécommande à la carte d'installation de la télécommande à fil comme sur l'image de droite.

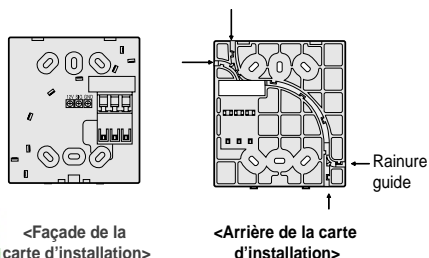
12V	Fil rouge
SIG	Fil jaune
GND	Fil noir



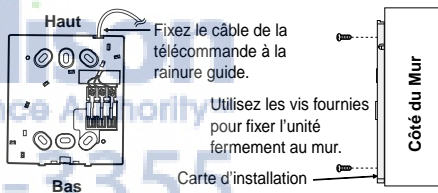
- * Le câble de la télécommande est connecté comme il vient d'usine.

2. Après avoir fixé le câble à la rainure guide, attachez la carte d'installation de la télécommande à fil sur l'endroit désiré.

- Avant de fixer le câble de la télécommande à la rainure guide, enlevez toute particule coincée dans la rainure dans la direction d'installation.

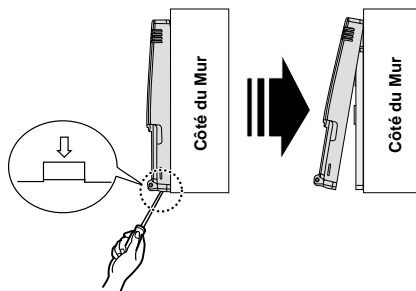
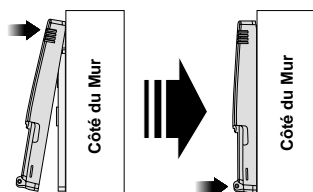


3. Après avoir placé la carte d'installation de la télécommande à fil à l'endroit désiré, vissez fermement l'unité. (Si le boîtier est encastré, faites entrer la carte de la télécommande à fil dans le boîtier encastré.)



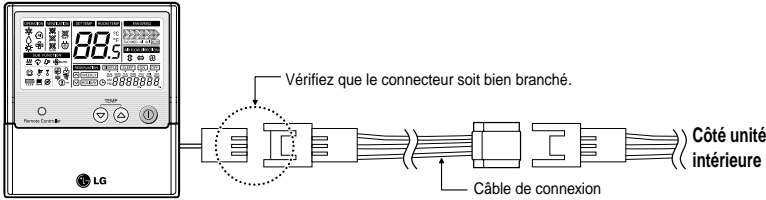
- Utilisez les vis fournies.

4. Après avoir fixé le haut de la télécommande à la carte d'installation comme sur l'image de droite, appuyez sur le bas pour assembler la télécommande à sa carte.



Pour le démontage de la télécommande de la carte d'installation, utilisez le tournevis comme sur l'image de droite et introduisez-le dans l'orifice avec la flèche. Séparez la télécommande en tirant le tournevis vers l'avant.

5. Utilisez le câble de connexion pour relier l'unité intérieure et la télécommande.



6. Si la distance entre la télécommande à fil et l'unité intérieure est de 10 mètres ou plus, utilisez une rallonge.

ATTENTION

Pendant l'installation de la télécommande à fil, ne l'encastrez pas dans le mur.

(Cela pourrait endommager le capteur de température.)

N'installez pas de câble de plus de 50 mètres.

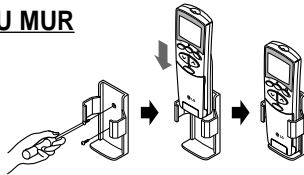
(Cela pourrait conduire à des erreurs de communication.)

- Pour une installation correcte, pendant l'installation de la rallonge vérifiez la direction du connecteur du côté télécommande et du côté produit.
- Si vous installez la rallonge dans la direction opposée, le connecteur ne connectera pas.
- Spécifications de la rallonge : 2547 1007 22# 2 âme 3 blindage 5 ou supérieur.

800-570-3355

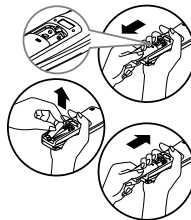
Installation de Préparation de la Télécommande

COMMENT LA MONTER AU MUR



COMMENT INTRODUIRE LES PILES

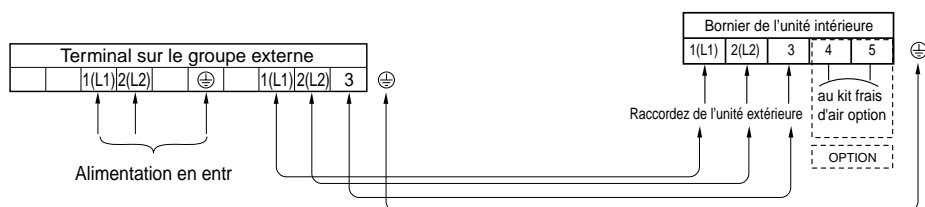
1. Enlevez le couvercle de la télécommande
 - Faites glisser le couvercle dans la direction de la flèche.
2. Introduisez 2 piles.
 - Faites attention que les directions (+) et (-) soient correctes
 - Faites attention que les deux piles soient neuves.
3. Remettez en place le couvercle
 - Faites-le glisser en position



- N'utilisez pas de piles rechargeables, ces piles sont différentes des piles sèches standard comme forme, dimensions et performances.
- Enlevez les piles de la télécommande si le climatiseur n'est pas utilisé pendant longtemps.

Connexion des câbles

- ⚠ AVERTISSEMENT :** Un raccordement desserré peut provoquer une surchauffe de la borne ou un dysfonctionnement de l'unité. Un risque d'incendie peut également survenir. Par conséquent, assurez-vous que tous les câbles sont correctement raccordés.



- ⚡ RECOMMAND :** Le cordon d'alimentation raccordé à l'unité extérieure doit être conforme aux spécifications suivantes (accepté ETL et certifié CSA).



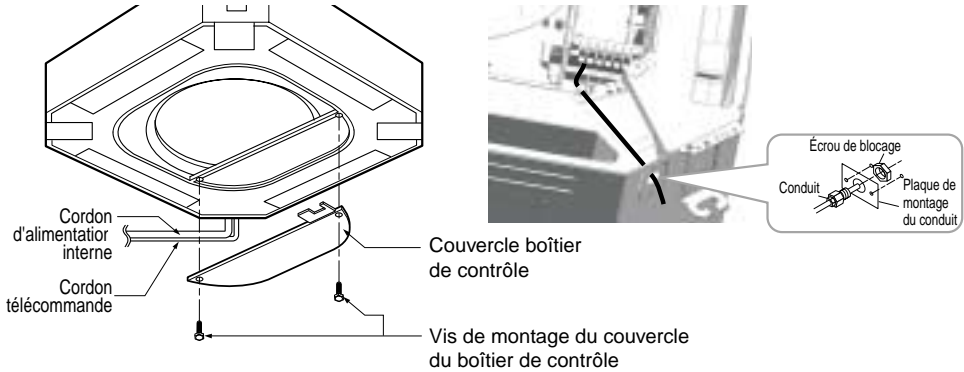
Le cordon d'alimentation raccordé à l'unité intérieure et à l'unité extérieure doit être conforme aux spécifications suivantes (accepté ETL et certifié CSA).

- ⚡ RECOMMAND :** Si vous utilisez l'autre fil électrique comme cordon d'alimentation, veuillez fixer le fil électrique au panneau du boîtier de contrôle en utilisant les attaches à tête d'équerre en guise de fixation.

Connexion du câble à l'unité intérieure

1. Modèle cassette

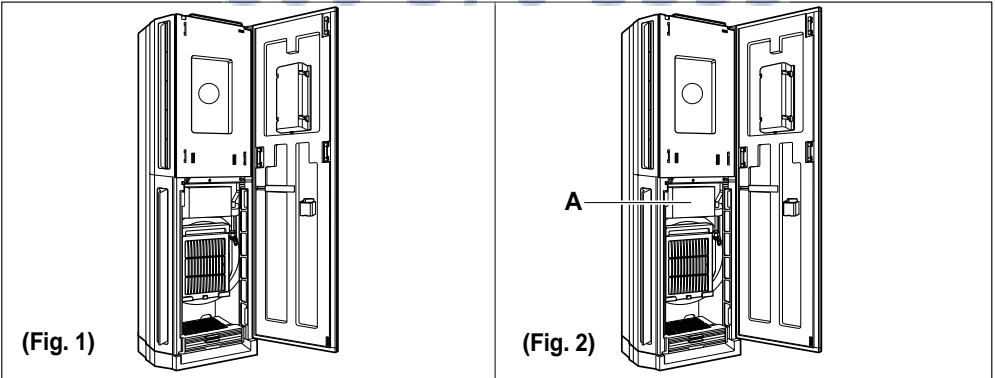
- Ouvrez le couvercle du boîtier de contrôle et connectez le câble de la télécommande et les câbles d'alimentation internes.



2. Type unité au sol

La procédure de connexion du câble à l'unité intérieure est la suivante :

- Ouvrez manuellement le panneau avant, comme illustré à la figure 1.
- Ouvrez le couvercle de la boîte de commande (A) avec un tournevis (⊕), comme illustré à la figure 2.
- Connectez les câbles (Non fourni par LG) à la plaque à bornes de l'unité intérieure, comme illustré à la figure 3.
- Installez le cordon d'alimentation ou les câbles de raccordement comme dans la figure 4 pour éviter que les câbles ne soient coupés par le rebord coupant de l'orifice.
- Remplacez le couvercle de la boîte de commande (A) dans sa position d'origine et fixez-le à l'aide d'un tournevis (⊕).
- Fermez le panneau avant.

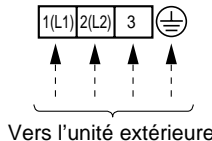


(Fig. 1)

(Fig. 2)

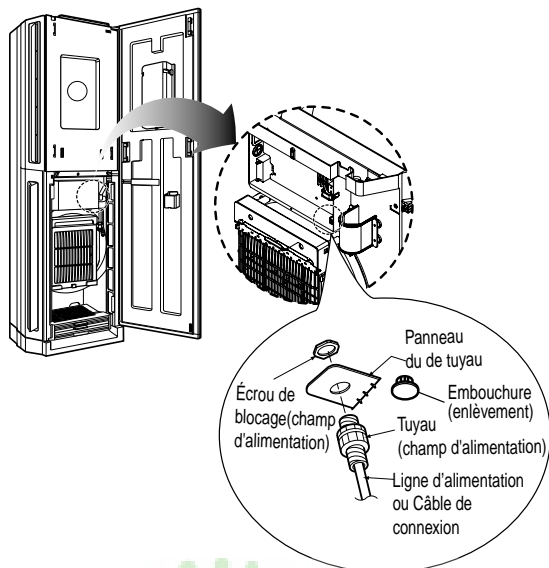
(Fig. 3)

Détail du câblage de l'unité intérieure



Vers l'unité extérieure

(Fig. 4)



AjMadison
Your Appliance Authority™
800-570-3355

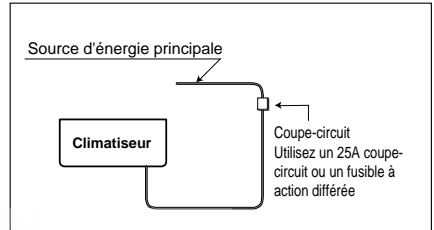
Câblages électriques

1. Tous les câblages doivent être conformes aux RÈGLES LOCALES.
2. Sélectionnez une source d'alimentation capable de fournir le courant nécessaire au climatiseur.
3. Fournissez le courant à l'appareil à travers un tableau de distribution conçu dans ce but.
4. Les vis des bornes à l'intérieur du boîtier de contrôle pourraient être desserrées à cause de vibrations pendant le transport. Contrôlez ces vis des connexions desserrées.
(Faire fonctionner le climatiseur avec des connexions desserrées peut surcharger et endommager les composants électriques).
5. Effectuez toujours la mise à terre du climatiseur avec un câble de terre et un connecteur qui satisfait aux RÈGLES LOCALES.



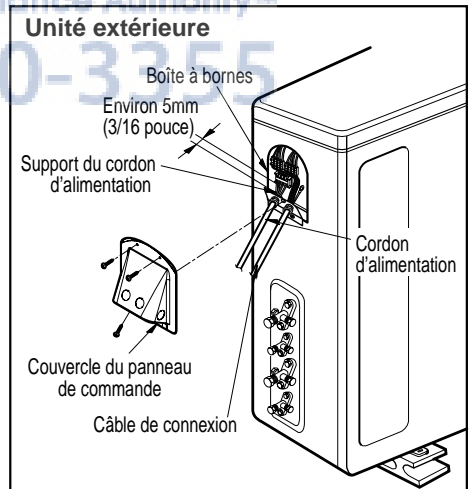
PRECAUTION:

- Le schéma de connexions ci-dessus est susceptible d'être modifié sans préavis.
- Assurez-vous de relier les fils en respectant le schéma de câblage.
- Reliez les fils fermement, afin d'éviter qu'ils soient facilement enlevés.
- Reliez les fils conformément au code de couleurs; pour ce faire, rappelez-vous au schéma de câblage.



Connexion du Câble à l'unité externe

1. Enlevez le couvercle de contrôle de l'unité en dévissant la vis. Branchez les câbles aux bornes sur le panneau de contrôle de la manière suivante.
2. Assurez le câble au panneau de contrôle avec des supports (pinces).
3. Remettez en place le couvercle de contrôle avec la vis.
4. Utilisez un coupe-circuit reconnu entre la source d'alimentation et l'unité. Un appareil de débranchement pour débrancher toutes les lignes de fourniture doit être monté.

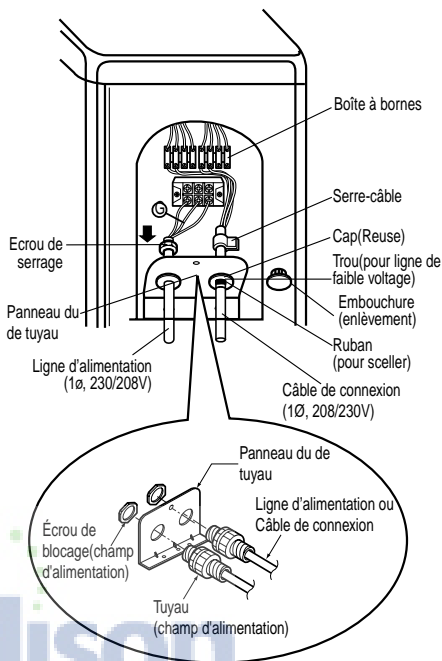


Méthode de câblage du câble de connexion (Exemple)

- (1) Enlevez deux embouchures du panneau de commande. (pour ligne basse tension)
- (2) Retirez le câble de connexion travers la conduite.
- (3) Lorsque la conduite traverse le panneau, resserez l'écrou de l'autre côté du panneau.
- (4) Passez le câble de connexion à travers le trou.
- (5) Raccordez de façon appropriée le câble à la boîte à bornes.
- (6) Serrez le câble de connexion avec un serre-câble fourni avec l'unité. Il ne doit pas se séparer du borne si le câble de connexion est tiré par un poids de 35 livres.



AVERTISSEMENT : Un câblage défectueux peut provoquer la surchauffe du borne ou un mauvais fonctionnement de l'unité. Il y a également des risques d'incendie. En conséquence, assurez-vous que tout le câblage soit solidement raccordé.



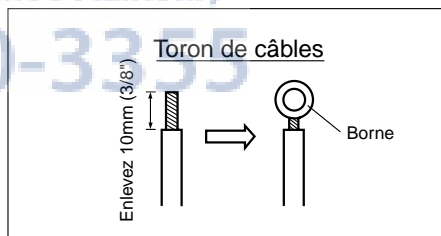
Lors de la connexion de chaque câble d'alimentation au borne correspondant, suivez les instructions "Comment raccorder les câbles aux bornes" et serrez fortement les câbles avec la vis de fixation de la plaque à bornes.

Cordon d'alimentation

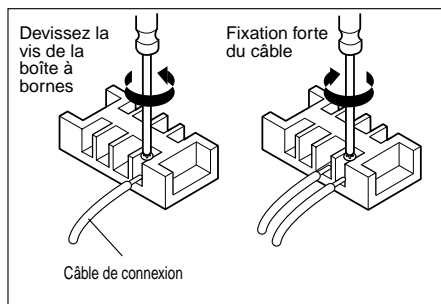
Comment raccorder les câbles aux bornes

■ Pour le toron de câbles

- (1) Coupez le bout du câble avec un coupe-câbles ou des pinces coupe-câbles. Puis, enlevez environ 10mm (3/8") du matériel isolant pour défaire le toron de câbles.
- (2) À l'aide d'un tournevis, retirez le(s) vis des bornes de la plaque à bornes.
- (3) À l'aide des pinces ou d'une clé à bornes, fixez solidement chaque bout du câble du toron à une borne.
- (4) Revissez les vis de la borne à l'aide d'un tournevis.



Câble de connexion



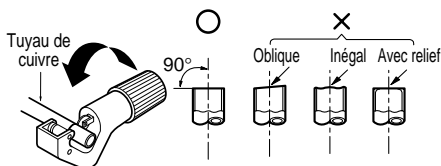
Travail d'évasement et raccordement de la tuyauterie

Travail d'évasement

La cause principale de fuites de gaz est un travail d'évasement défectueux. Réalisez ce travail correctement suivant cette procédure.

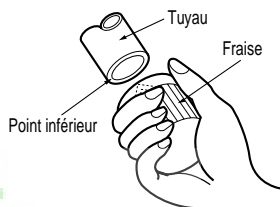
1) Coupez les tuyaux et le câble.

- Utilisez le kit de tuyauterie accessoire ou achetez les tuyaux sur place.
- Mesurez la distance entre l'unité intérieure et l'unité extérieure.
- Coupez les tuyaux un peu plus longs que la distance mesurée.
- Coupez le câble 1,5 m (5,0 pi) plus long que la longueur des tuyaux.



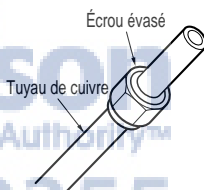
2) Enlevez les rebords

- Enlevez complètement tous les rebords de la section de coupe des tuyaux/raccords.
- Lorsque vous enlevez les rebords, placez le bout du tuyau/raccord de cuivre dans une direction descendante pour éviter que les rebords tombent à l'intérieur de la tuyauterie.



3) Montage des écrous

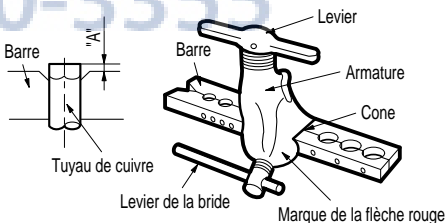
- Retirez les écrous évasés de l'unité intérieure et de l'unité extérieure, puis placez-les autour des tuyaux/raccords après avoir enlevé complètement les rebords. (Il n'est pas possible de les installer après le travail d'évasement)



4) Travail d'évasement

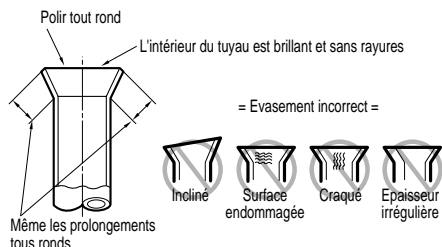
- Réalisez le travail d'évasement à l'aide d'un outil d'évasement tel qu'il est illustré en bas.
- Soutenez fortement le tuyau de cuivre avec une filière d'évasement suivant les dimensions cités dans le tableau d'en bas.

Diamètre extérieur		A	
mm	inch	mm	inch
Ø6.35	1/4	1.1~1.3	0.04~0.05
Ø9.52	3/8	1.5~1.7	0.06~0.07
Ø12.7	1/2	1.6~1.8	0.06~0.07
Ø15.88	5/8	1.6~1.8	0.06~0.07
Ø19.05	3/4	1.9~2.1	0.07~0.08



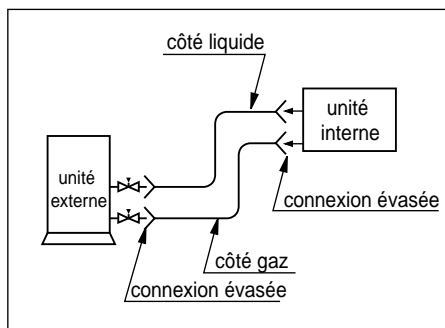
5) Vérifiez

- Comparez votre travail d'évasement avec la figure ci-dessous.
- Si vous notez que l'évasement est défectueux, coupez la section évasée et refaites l'évasement.



Connexion des conduits

1. Façonnez les conduits selon leur cheminement. Évitez de cambrier et de recambrier le même point du conduit plus de trois fois (Cela provoquerait un durcissement du tuyau).
2. Après avoir façonné les conduits, alignez les centres d'union de l'unité interne et des conduits, et serrez-les fermement avec une clé.
3. Connectez le tuyau à la soupape de connexion ou à la soupape à boule qui est placée sous l'unité externe.
4. Après avoir achevé la connexion des conduits, contrôlez s'il y a des fuites de gaz dans les connexions interne et externe.



Séchage avec aspirateur

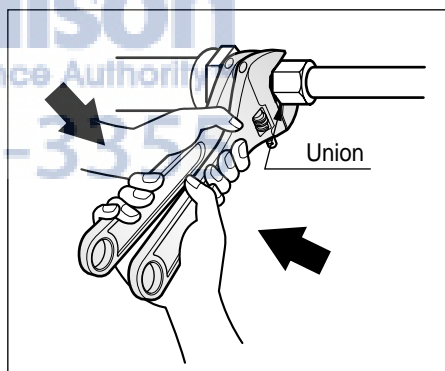
Completati i collegamenti dei tubi, eseguire l'asciugatura con vuoto per i tubi di connessione e unità interna.

L'asciugatura sotto vuoto deve essere eseguita utilizzando le aperture di servizio apposite delle valvole sia del lato liquido che del lato gas.



PRECAUTION: Utilisez deux clés et serrez avec un couple de serrage régulier.

Diamètre externe		torque	
mm	inch	kgf·m	(lbf·ft)
Ø6.35	1/4	1.8-2.5	(13-18)
Ø9.52	3/8	3.4-4.2	(24-30)
Ø12.7	1/2	5.5-6.6	(40-48)
Ø15.88	5/8	6.3-8.2	(46-59)
Ø19.05	3/4	9.9-12.1	(72-88)

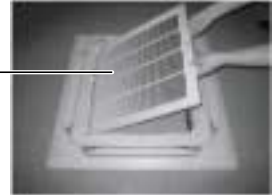


Installation du panneau décoratif

**Le panneau décoratif a un sens d'installation qu'il faut respecter.
Avant d'installer le panneau décoratif, retirez toujours le gabarit en papier.**

1. Retirez l'emballage et retirez la grille d'entrée d'air du panneau avant.

Front grille



2. Retirez les caches des angles du panneau.

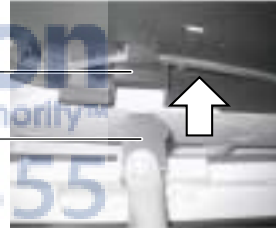
Coner cover



3. Montez le panneau sur l'unité en insérant des crochets comme illustré.

Hook clip

Hook



4. Insérez 2 vis dans les angles opposés du panneau. Ne serrez pas les écrous complètement. (Les vis de serrage sont comprises dans le boîtier de l'unité intérieure).

Vérifiez l'alignement du panneau avec le plafond. La hauteur peut être réglée en utilisant des écrous comme indiqué dans l'illustration. Insérez les deux autres vis et serrez-les complètement.

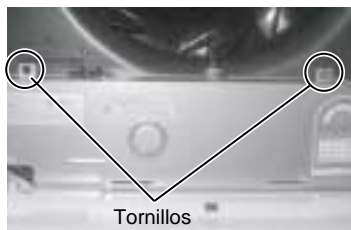


Aj Madison
Your Appliance Authority™
800-570-3355

5. Montez les caches des angles.



6. Dévissez deux vis du cache du panneau de commande.

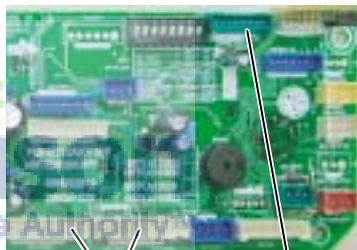


7. Branchez un connecteur d'affichage et deux connecteurs de commande de vanne du panneau avant sur le circuit imprimé de l'unité intérieure.

Les mentions indiquées sur circuit imprimé sont :

CN-DISPLAY pour le connecteur d'affichage

CN-VANE 1,2 pour les connecteurs des vannes



CN-VANE 1,2

CN-DISPLAY

8. Refermez le couvercle du boîtier de commande.



9. Montez la grille d'entrée d'air et le filtre sur le panneau.

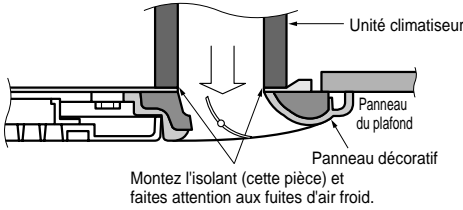




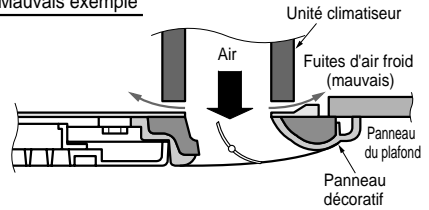
PRECAUTION: Installez le panneau décoratif.

Des fuites d'air froid provoquent des suintements ➔ Des gouttes d'eau tombent.

Bon exemple



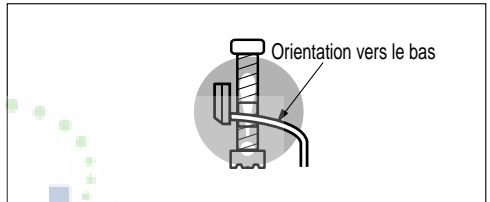
Mauvais exemple



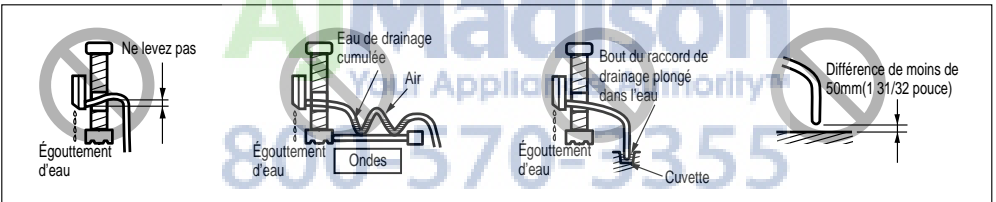
Conduits de drainage unité interne

[Type unité au sol]

1. Le raccord de drainage doit être orienté vers le bas pour rendre plus facile de drainage.



2. Ne faites pas le drainage de la tuyauterie.

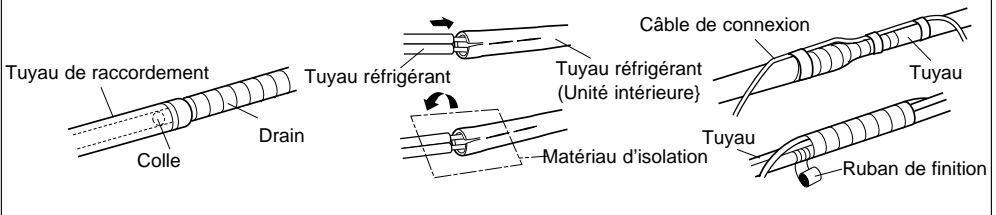


Comment utiliser le ruban de finition pour le drain

Après avoir appliqué la colle, insérez le drain jusqu'au bout.

Enroulez le matériau d'isolation pour raccorder l'unité intérieure au tuyau de raccordement.

Enroulez le ruban de finition autour du tuyau de raccordement, le drain et le câble.



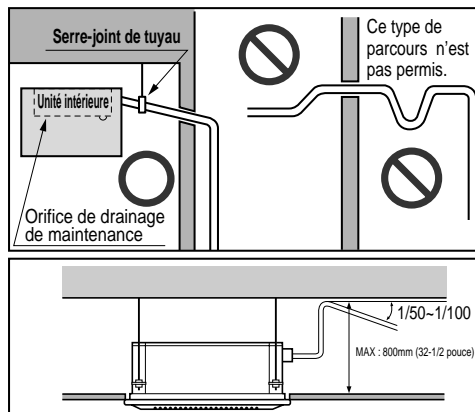
[Modèle casset]

- La tuyauterie de drainage doit avoir une inclinaison vers le bas (1/50 à 1/100) : pour éviter tout reflux, assurez-vous qu'il n'y ait pas de remontées.
- Pendant la connexion de la tuyauterie de drainage, prenez garde à ne pas exercer une grande pression sur l'orifice de drainage de l'unité intérieure.
- Le diamètre extérieur de la connexion de drainage de l'unité intérieure est de 32mm (1 1/4 inch).

Matériau de la tuyauterie: tuyau en PVC VP-25 et tuyaux accessoires.

- Assurez-vous d'installer un isolant thermique pour la tuyauterie de drainage.

Matériau d'isolation thermique : Mousse de polyéthylène de plus de 8mm (5/16 inch). d'épaisseur.

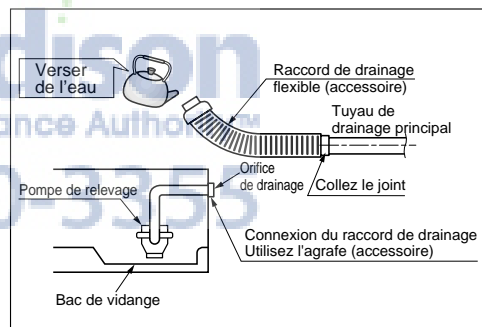


Drain test

Le climatiseur utilise une pompe de relevage pour drainer l'eau.

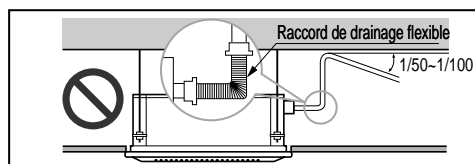
Suivez le procédé ci-dessous pour tester le fonctionnement de la pompe de relevage :

- Connectez le tuyau de drainage principal vers l'extérieur et laissez-le provisoirement jusqu'à la fin du test.
- Versez de l'eau dans le raccord de drainage flexible et vérifiez qu'il n'y ait pas de fuites.
- Assurez-vous de vérifier le fonctionnement normal de la pompe de drainage et l'absence des bruits anormaux lorsque le câblage électrique est complet.
- Une fois que vous avez effectué le test, reliez le raccord de drainage flexible à l'orifice de drainage sur l'unité intérieure.



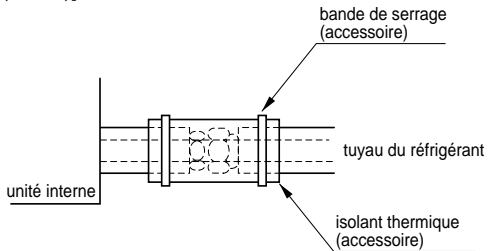
ATTENTION:

**Le tuyau flexible de drainage.
La pliure ou le percement du tuyau.**



Isolation a la chaleur

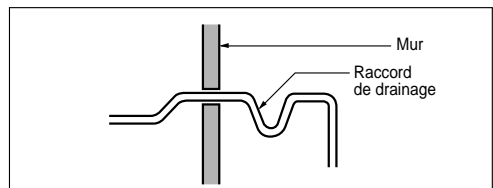
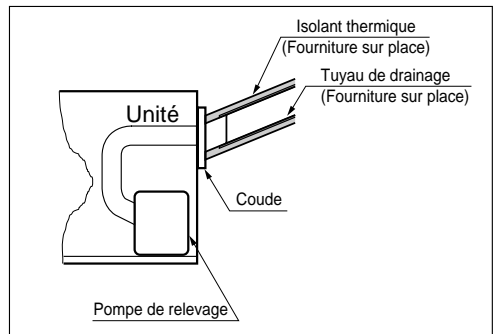
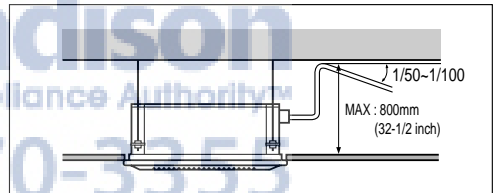
1. Utilisez le matériel d'isolation à la chaleur pour les tuyaux du liquide réfrigérant qui ont une résistance à la chaleur excellente [plus de 120°C(248°F)].
2. Faites attention en cas d'humidité élevée : ce climatiseur a été testé dans les "conditions standard KS avec vapeur" et il est confirmé qu'il n'a pas de défauts. Toutefois, s'il fonctionne pendant une longue période dans une atmosphère très humide [température du point de condensation : plus de 23°C(73.4°F)], un écoulement d'eau peut se produire. Dans ce cas, ajoutez du matériel d'isolation en suivant la procédure suivante :



- Utilisez le matériau d'isolation à la chaleur suivant : laine de verre adiabatique avec une épaisseur de 10 à 20 mm.
- Collez de la laine de verre sur tous les climatiseurs placés au plafond.
- En plus de l'isolation normale à la chaleur (épaisseur : plus de 8 mm) pour le tuyau du réfrigérant (tuyau de gaz : tuyau épais) et le tuyau de drainage, ajoutez de 10 à 30 mm d'épaisseur de matériel.

Attention

1. La colonne de drainage peut avoir jusqu'à 700mm(27 9/16 inch) de hauteur. Elle doit donc être installée au-dessous de 800mm (32-1/2 inch).
2. Installez le raccord de drainage vers le bas jusqu'à une inclinaison de 1/50~1/100. Évitez tout flux vers le haut ou reflux dans toutes les pièces.
3. Un isolant thermique de 5 mm. ou plus d'épaisseur est fourni pour le tuyau de drainage.
4. Un parcours de ce type n'est pas permis.
5. Assurez-vous de vérifier le fonctionnement normal de la pompe de relevage et l'absence de bruits anormaux lorsque le câblage électrique est com-plet.



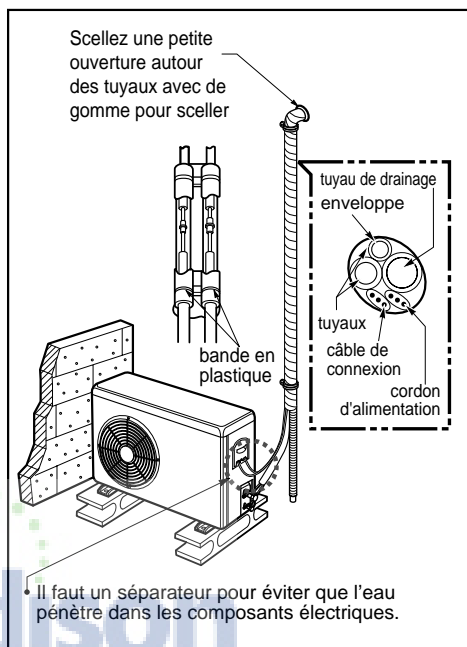
Montez la tuyauterie

Montez la tuyauterie en enveloppant la portion de raccordement de l'unité intérieure avec du matériel isolant et assurez-le avec deux types de ruban adhésif.

- Si vous voulez accoupler un raccord de drainage supplémentaire, l'extrémité de la sortie de drainage doit être acheminée au-dessus du sol. Assurez convenablement le raccord de drainage.

Au cas où l'unité extérieure serait installée au-dessous de l'unité intérieure, faites comme suit:

1. Collez avec du ruban adhésif la tuyauterie, le raccord de drainage et le câble de raccordement du bas en haut.
2. Assurez la tuyauterie collée tout au long du mur extérieur à l'aide d'une selle ou équivalent.

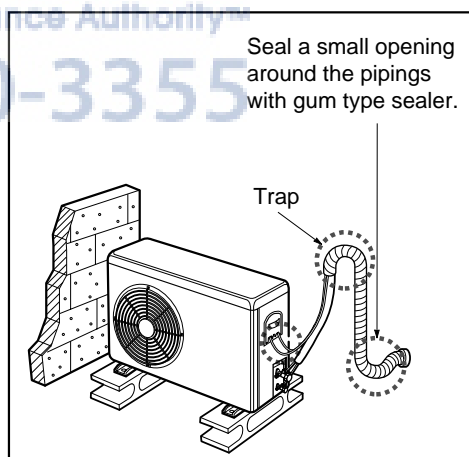


Au cas où l'unité extérieure serait installée au-dessus de l'unité intérieure, faites comme suit:

1. Collez avec du ruban adhésif la tuyauterie et le câble de raccordement du bas en haut.
2. Assurez la tuyauterie collée tout au long du mur extérieur. Faites un siphon pour éviter que l'eau pénètre à l'intérieur de la pièce.
3. Fixez la tuyauterie au mur à l'aide d'un chariot porte-outil ou équivalent.

Installation de l'unité extérieure

1. Fixez l'unité extérieure horizontalement sur une dalle de béton ou sur un support rigide, à l'aide d'un boulon et écrou ($\varnothing 10\text{mm}$: 0.39") bien serré.
2. Si vous l'installez sur un mur, un toit ou une terrasse, fixez bien le support avec un clou ou un fil de fer tout en prenant en considération l'influence du vent et des tremblements de terre.
3. Au cas où la vibration de l'unité serait transmise à la maison, assurez l'unité avec un isolement anti-vibration en caoutchouc.



Test de fonctionnement

1. PRÉCAUTIONS PENDANT LE TEST DE FONCTIONNEMENT

- L'alimentation initiale devrait fournir au moins 90% de la tension nominale. Autrement, le climatiseur ne peut pas fonctionner.



PRECAUTION:

- ① **À Pour le test de fonctionnement, effectuez d'abord les opérations de refroidissement même en hiver. Si vous effectuez d'abord les opérations de chauffage, cela pourrait conduire à des problèmes du compresseur. Donc, faites attention.**
- ② **É Effectuez le test de fonctionnement pendant 5 minutes sans interruption. (Le test sera effacé 18 minutes plus tard automatiquement).**

CONTRÔLEZ LES ÉLÉMENTS SUIVANTS QUAND L'INSTALLATION EST COMPLÈTE

- Après avoir achevé le travail, mesurez et enregistrez les propriétés du test de fonctionnement et conservez les données mesurées, etc.
- Les éléments à mesurer sont la température de la pièce, la température externe, la température d'aspiration, la température d'expulsion, la vitesse du vent, la tension, le courant, la présence de vibrations anormales ou de bruits, la pression de fonctionnement, la température des tuyaux, la pression de compression.
- Pour la structure et l'apparence, contrôlez les éléments suivants :

- | | |
|--|--|
| <input type="checkbox"/> La circulation de l'air est-elle suffisante ? | <input type="checkbox"/> L'interrupteur de la télécommande fonctionne-t-il ? |
| <input type="checkbox"/> Le drainage se fait-il sans problèmes ? | <input type="checkbox"/> Y a-t-il de mauvais câblages ? |
| <input type="checkbox"/> L'isolation à la chaleur est-elle complète (tuyaux de réfrigérant et de drainage) ? | <input type="checkbox"/> Des vis de bornes sont-elles desserrées ? |
| <input type="checkbox"/> Y a-t-il des fuites de réfrigérant ? | |

M4.....118N.cm{12kgf.cm} M5.....196N.cm{20kgf.cm}
M6.....245N.cm{25kgf.cm} M8.....588N.cm{60kgf.cm}

2) Connexion de l'alimentation

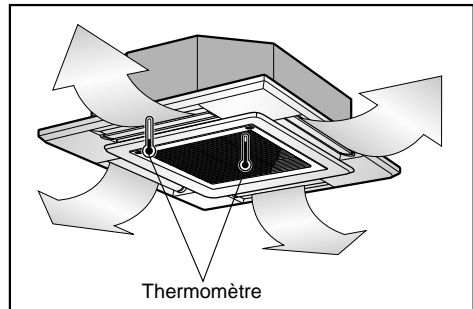
1. Branchez le cordon d'alimentation à une prise de courant indépendante.

- Un coupe-circuit est nécessaire.

2. Faites fonctionner l'appareil pendant quinze minutes ou plus.

3) Évaluation des performances

1. Mesurez la température de l'air en admission et en sortie
2. Assurez-vous que la différence entre la température de l'air en admission et celle de l'air en sortie est supérieure à 8°C (refroidissement) ou inversement. (Chauffage)

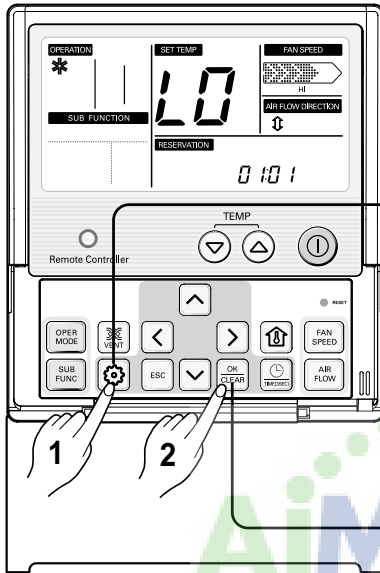



Réglage-Mode Cycle test

Modèle cassette

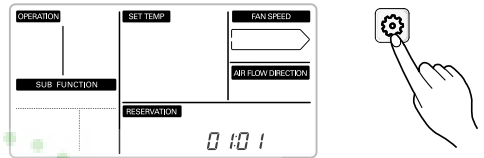
Après avoir installé le produit, vous devez effectuer un cycle de test.

Pour plus d'informations sur cette opération, reportez-vous au manuel du produit.

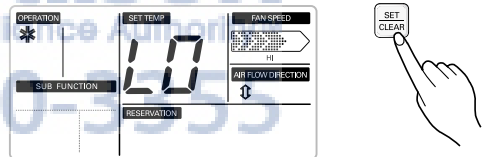


- 1 Appuyez 4 secondes sur le bouton  pour entrer le mode Réglage jusqu'à ce que le code s'affiche au niveau du minuteur.

0 10 1
Code de fonction Défini

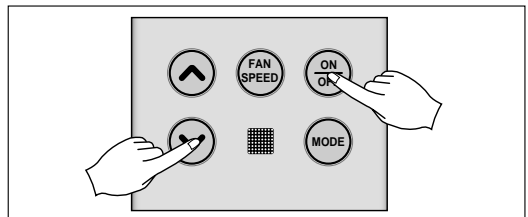


- 2 Appuyez sur le bouton  pour démarrer.



Type unité au sol

Appuyez en même temps sur la touche de diminution de la température et sur la touche On/Off pendant plus de 3 secondes sur l'unité intérieure.



- * Le mode Refroidissement, le mode Ventilation et le débit d'air sont activés pendant 18 minutes quelle que soit la température de la pièce.
- * Au bout de 18 minutes, le système s'éteint automatiquement.
- * Dans le cas d'un produit avec conduit, la fonction UP/DOWN (Haut/Bas) du débit d'air ne s'affiche pas.
- * La réception d'un signal du panneau de commande à distance câblé entraîne l'arrêt du cycle de test.
Il en va de même en cas de pression sur un bouton.



PRECAUTION: Après la confirmation des conditions ci-dessus, préparez les câblages de la manière suivante :

- 1) Il faut absolument que le climatiseur ait une prise de courant spécialisée. Pour la méthode de câblage, faites-vous guider par les diagrammes de circuit à l'intérieur du couvercle du boîtier de contrôle.
- 2) Mettez un coupe-circuit entre la source d'alimentation et l'appareil.
- 3) Les vis qui serrent le câblage dans la chemise des installations électriques peuvent se desserrer à cause de vibrations auxquelles l'appareil est soumis pendant le transport. Contrôlez-les et faites attention qu'elles soient toutes bien serrées. (Si elles sont desserrées, cela pourrait provoquer un court-circuit des câbles).
- 4) Spécifications de la source d'alimentation.
- 5) Confirmation que la capacité électrique est suffisante.
- 6) Contrôlez que la tension de mise en marche soit bien maintenue à au moins 90% de la tension nominale indiquée sur la plaque.
- 7) Confirmation que l'épaisseur du câble est bien celle spécifiée dans les spécifications de la source d'alimentation. (Remarquez en particulier la relation entre la longueur du câble et son épaisseur).
- 8) Il faut toujours monter un coupe-fuites dans des endroits humides ou mouillés.
- 9) Les problèmes suivants pourraient être provoqués par une chute de tension.
 - Vibrations de l'interrupteur magnétique, dommage au point de contact, rupture de fusible, problèmes de fonctionnement du système de protection contre les surcharges.
 - Une puissance de mise en marche suffisante n'est pas fournie au compresseur.

800-570-3355

TRANSMISSION DES INFORMATIONS

Enseignez à l'utilisateur les procédures de fonctionnement et d'entretien en utilisant le manuel de fonctionnement (nettoyage du filtre à air, contrôle de la température, etc.)

Test de fuite et évacuation

L'air et l'humidité dans le système réfrigérant ont des effets négatifs, tel qu'il est indiqué en bas.

1. La pression du système augmente.
2. Le courant de fonctionnement augmente.
3. L'efficacité de refroidissement (ou chauffage) est réduite.
4. L'humidité dans le circuit de réfrigération peut congeler et bloquer la tuyauterie.
5. De l'eau peut rouiller les pièces du système de réfrigération.

En conséquence, l'unité intérieure/extérieure et le tuyau de connexion doivent être vérifiés et vidés pour enlever le gaz non condensable et l'humidité du système.

Méthode de vérification

Préparation

- Vérifiez que chaque tuyau (tuyaux à liquide et à gaz) entre l'unité intérieure et extérieure a été raccordé correctement et que tout le câblage pour l'essai de fonctionnement a été complété. Enlevez les embouchures des vannes de service à gaz et à liquide de l'unité extérieure. Assurez-vous que les vannes de service à gaz et à liquide de l'unité extérieure soient fermées dans cette étape.

Essai de fuites

- Raccordez la vanne du collecteur (avec les indicateurs de pression) et le cylindre de gaz nitrogène sec à ce port de service avec les raccords de charge.

ATTENTION: Assurez-vous d'utiliser une vanne de collecteur pour réaliser l'essai de fuites.

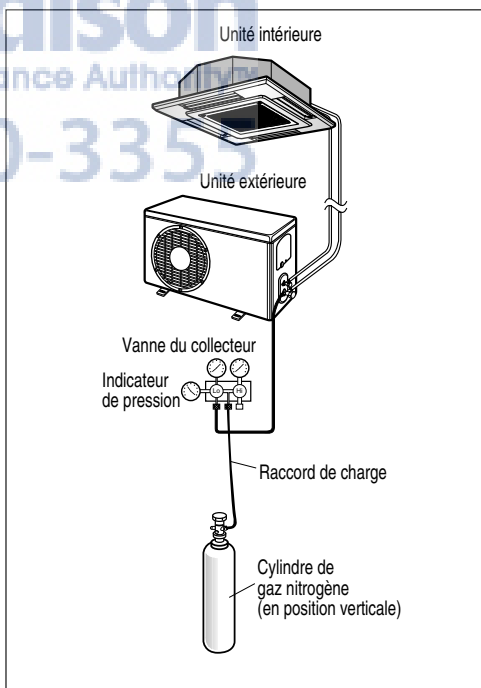
La vanne du collecteur de la partie supérieure doit rester toujours fermée.

- Pressurisez le système à moins de 150 P.S.I.G. avec le gaz nitrogène sec et fermez la vanne du cylindre lorsque la lecture de l'indicateur atteint 150 P.S.I.G. Ensuite, vérifiez s'il y a des fuites avec de l'eau savonneuse.

ATTENTION: Afin d'éviter que le nitrogène rentre dans le système de réfrigération à l'état liquide, le bout du cylindre doit être plus haut que sa base lorsque vous pressurisez le système. Souvent, le cylindre est utilisé dans une position verticale.

REMARQUE: L'essai de fuites doit être réalisé pour chaque ensemble de raccords de l'unité intérieure séparément.

1. Réalisez un essai de fuites dans tous les joints de la tuyauterie (intérieure et extérieure) et dans les vannes de service à gaz et à liquide. La présence de pompes indique une fuite. Assurez-vous d'essuyer le savon avec un tissu propre.
2. Une fois l'absence de fuites vérifiée, détendez la pression du nitrogène en desserrant le raccord de charge du cylindre de nitrogène. Une fois la pression du système revenue au niveau normal, séparez le raccord du cylindre.



* Les illustrations/figurent utilisées peuvent ne pas correspondre au modèle

Évacuation

1. Raccordez le bout du raccord de charge décrit précédemment à la pompe à vide pour évacuer la tuyauterie et l'unité intérieure.
Confirmez si bouton "B" de la vanne du collecteur est ouvert. Puis, mettez en marche la pompe à vide.
Le temps de marche pour l'évacuation varie selon la longueur de la tuyauterie et la capacité de la pompe.

La pompe vide doit être fonctionnée moins que 0.8 tonnes de la pression indiquée.

2. Une fois vidé, fermez le bouton "B" de la vanne du collecteur et arrêtez la pompe à vide.

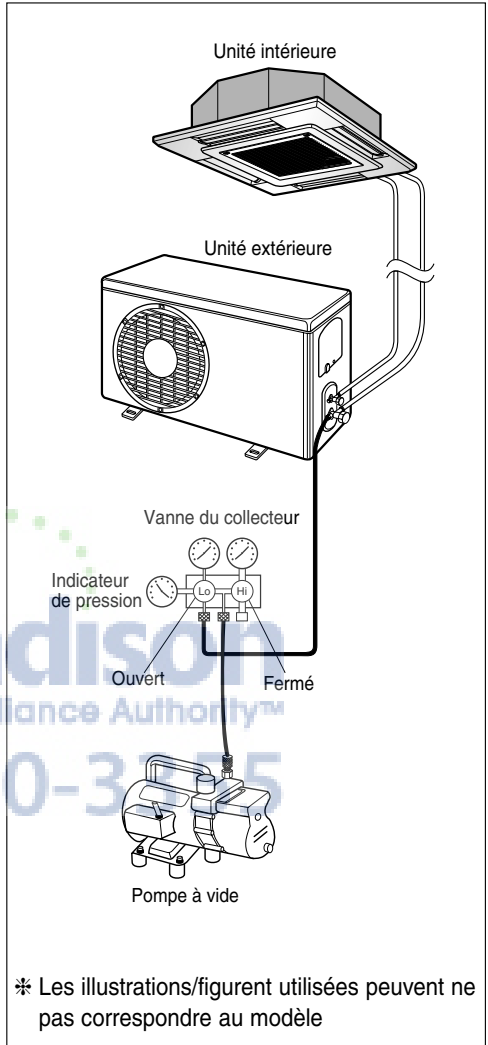
Pour finir le travail

1. À l'aide d'une clé pour la vanne de service, tournez la tige de la vanne à liquide dans le sens des aiguilles de l'horloge pour ouvrir complètement la vanne.
2. Tournez la tige de la vanne à gaz dans le sens des aiguilles de l'horloge pour ouvrir complètement la vanne.
3. Desserrez légèrement le raccord de charge raccordé au port de service à gaz pour détendre la pression. Puis, enlevez le raccord.
4. Replacez l'écrou évasé et son bonnet sur le port de service à gaz et serrez fortement l'écrou évasé avec une clé de serrage. Cette procédure est très importante pour éviter les fuites du système.
5. Replacez les bouchons des vannes de service à gaz et à liquide et serrez-les fortement.

Cela complète l'épuration d'air avec une pompe à vide.

Le climatiseur est maintenant prêt pour l'essai de fonctionnement.

REMARQUE : Répétez la procédure d'évacuation pour chaque unité intérieure.



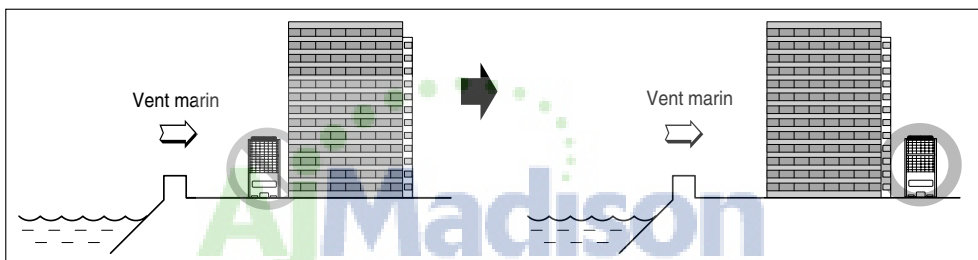
Guide d'installation en bord de mer

⚠ ATTENTION

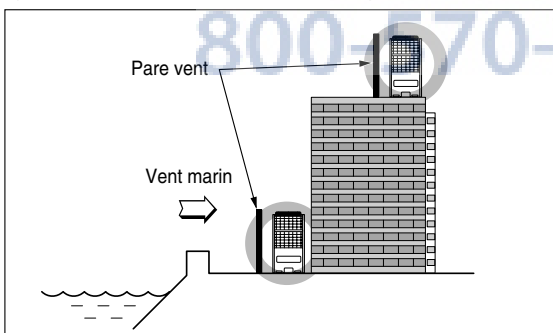
1. Les climatiseurs ne devraient pas être installés dans des endroits où sont produits des gaz corrosifs tels que les gaz acides ou alcalins.
2. Ne pas installer le produit dans un emplacement directement exposé au vent marin (embruns salés). Cela peut provoquer la corrosion du produit. La corrosion, tout particulièrement au niveau du condensateur et des serpentins de l'évaporateur, pourrait provoquer un fonctionnement inadapté ou inefficace.
3. Si l'unité extérieure est installée à proximité du bord de mer, évitez toute exposition directe au vent marin. Autrement l'appareil va nécessiter un traitement anti-corrosion supplémentaire au niveau de l'échangeur de chaleur.

Sélection de l'emplacement (Unité Extérieure)

- 1) Si l'unité intérieure doit être installée à proximité du bord de mer, évitez toute exposition directe au vent marin. Installez l'appareil du côté opposé du sens du vent.



- 2) Si vous installez l'unité extérieure à proximité du bord de mer, installez un pare vent pour la protéger.



- Doit être suffisamment solide, comme du béton, pour résister au vent.
- Les dimensions doivent être environ 1,5 fois plus grandes que celles de l'unité (150%).
- Respectez au minimum 70cm entre l'unité et le pare vent pour la circulation de l'air.

- 3) Sélectionnez un emplacement bien ventilé.

1. Si vous ne pouvez pas respecter les consignes ci-dessus, veuillez contacter LG Electronics pour un traitement anti-corrosion supplémentaire.
2. Faites un nettoyage périodique (plus d'une fois par an) de la poussière et du sel collés sur l'échangeur de chaleur en utilisant de l'eau.

LG

Aire acondicionado

MANUAL DE INSTALACIÓN



ESPAÑOL

IMPORTANTE

- Lea este manual de instrucciones completamente antes de instalar el producto.
- El trabajo de instalación debe realizarse de acuerdo con el Reglamento Eléctrico nacional y únicamente por personal autorizado.
- Después de leer completamente este manual de instalación, guárdelo para futuras consultas.

¡IMPORTANTE!

Lea completamente este manual de instrucciones antes de instalar el producto.

Este sistema acondicionador de aire cumple estrictamente las normas de funcionamiento y seguridad. Como instalador o persona de mantenimiento, una parte importante de su trabajo es instalar o realizar el mantenimiento del sistema de modo que funcione de modo eficiente y seguro.



ADVERTENCIA

- La instalación o reparaciones realizadas por personas no cualificadas pueden poner en riesgo a las personas. La instalación DEBE cumplir los códigos locales de construcción o, en ausencia de códigos locales, el Código Eléctrico Nacional NFPA 70/ANSI C1-1993 o la edición actual y el Código Eléctrico de Canadá Parte 1 CSA C.22.1.
- La información contenida en el manual está pensada para ser utilizada por un técnico cualificado familiarizado con los procedimientos de seguridad y equipado con las herramientas e instrumentos de comprobación adecuados.
- Si no lee atentamente ni sigue las instrucciones de este manual puede producirse un mal funcionamiento en el equipo, daños materiales, lesiones personales y/o muerte.

PRECAUCIÓN: La instalación, ajuste, modificación, reparación o mantenimiento inadecuados pueden anular la garantía. Dado el peso de la unidad condensadora se requiere precaución y la utilización de procedimientos de manejo adecuados al levantarla o desplazarla para evitar lesiones personales. Evite el contacto con los bordes afilados o puntiagudos.

Precauciones de seguridad

- Utilice siempre material de protección para los ojos y guantes de trabajo para instalar el equipo.
- Nunca dé por hecho que el suministro eléctrico está desconectado. Compruébelo con el medidor y el equipamiento.
- Mantenga las manos alejadas de las zonas de ventiladores cuando la alimentación esté conectada al equipo.
- R-410A produce quemaduras por congelación.
- R-410A es tóxico cuando se quema.

NOTA PARA EL INSTALADOR:

El manual de instrucciones y la garantía deben entregarse al propietario o quedar expuestos a la vista cerca de la unidad interior de ventilación/calefacción.



Advertencias especiales

Al realizar la conexión:

Una descarga eléctrica puede producir graves lesiones personales o muerte. Sólo debe realizar la conexión de este sistema un electricista cualificado y experimentado.

- No suministre energía a la unidad hasta que se hayan completado o reconectado y comprobado todas las conexiones y tuberías.
- Este sistema utiliza voltajes eléctricos altamente peligrosos. Consulte atentamente el esquema de cableado y estas instrucciones cuando realice las conexiones. Una conexión incorrecta y una puesta a tierra inadecuada pueden ocasionar lesiones por accidente o muerte.
- Ponga a tierra la unidad siguiendo los códigos eléctricos locales.
- Apriete fuertemente todas las conexiones. Los cables flojos pueden causar un sobrecalentamiento en los puntos de conexión y un posible peligro de incendio.

Al realizar el transporte:

Tenga cuidado al recoger y desplazar las unidades interior y exterior. Es necesario la ayuda de otra persona y doblar las rodillas al levantar la unidad para reducir la tensión en su espalda. Los bordes afilados o las aletas de aluminio delgado del acondicionador de aire pueden producir cortes en los dedos.

Al realizar la instalación...

... **en una pared:** Asegúrese de que la pared es lo suficientemente resistente como para soportar el peso de la unidad.

Puede que sea necesario construir un bastidor de metal o madera resistente para proporcionar más apoyo.

... **en una habitación:** Aísle adecuadamente cualquier tubería situada en el interior de una habitación para evitar la "condensación" que puede producir goteo y daños en pared y suelo.

... **en emplazamientos húmedos o no uniformes:** Utilice una base de hormigón elevada o bloques de hormigón para proporcionar una base sólida y nivelada para la unidad exterior. Esto evita los daños por agua y las vibraciones anormales.

... **en áreas con fuertes vientos:** Ancle firmemente la unidad exterior con pernos y un bastidor metálico. Instale un deflector de aire adecuado.

... **en áreas con nieve (para el modelo de bomba de calor):** Instale la unidad exterior sobre una plataforma elevada a un nivel más alto que el de la nieve. Instale rejillas para la nieve.

Al conectar las tuberías de refrigerante

- Mantenga la longitud de todas las tuberías lo más corta posible.
- Utilice el método de abocinado para conectar las tuberías.
- Compruebe con cuidado las fugas antes de realizar la prueba de funcionamiento.

Al realizar el mantenimiento

- Desconecte la alimentación en el cuadro principal (red) antes de abrir la unidad para comprobar o reparar piezas eléctricas y el cableado.
- Mantenga alejados los dedos y la ropa de las piezas móviles.
- Limpie la zona antes de finalizar el mantenimiento, recordando comprobar que no quedan en el interior de la unidad residuos metálicos o trozos de cableado.

ÍNDICE

Precauciones de seguridad	4
Instalación de las unidades Interior y Exterior	7
Instalación de la unidad Interior.....	10
Instalación de la unidad Interior.....	13
Conexión del cableado	16
Conexión de las tuberías a la unidad Interior	20
Instalación del Panel Decorativo	23
Tubería de drenaje de la unidad interior	25
Prueba de Funcionamiento.....	29
Prueba de fugas y evacuación	32
Guía de instalación junto al mar	34

Precauciones de seguridad



Para evitar lesiones al usuario o a otras personas y daños materiales, debe seguir las siguientes instrucciones.

- Lea estas instrucciones antes de instalar el aire acondicionado.
- Observe las precauciones especificadas en este manual, ya que incluyen indicaciones importantes relacionadas con la seguridad.
- El uso incorrecto ocasionado al ignorar las instrucciones puede causar lesiones o daños. La gravedad se clasifica mediante las siguientes indicaciones.

⚠ ADVERTENCIA Este símbolo indica la posibilidad de muerte o lesiones graves.

⚠ ATENCIÓN Este símbolo indica la posibilidad de lesiones o daños materiales.

- A continuación se muestran los significados de los símbolos utilizados en este manual.

	No lo haga.
	Siga las instrucciones.

⚠ ADVERTENCIA

■ Instalación

Realice siempre la conexión de la toma de tierra.

No utilice un cable de alimentación, una clavija o un enchufe flojo que estén dañados.

Para la instalación del producto, póngase siempre en contacto con el centro de servicio técnico o con una empresa de instalaciones especializada.

- Si no lo hace, podría producirse una descarga eléctrica.
- Si lo hace, podría producirse un incendio o descarga eléctrica.
- De lo contrario, podría producirse un incendio, descarga eléctrica, explosión o daños.

Ajuste firmemente la cubierta de la parte eléctrica en la unidad interior y el panel de servicio en la unidad exterior.

Instale siempre un interruptor diferencial para el aire acondicionado y el cuadro de maniobra correspondiente.

No almacene ni utilice gases inflamables o combustibles cerca del aire acondicionado.

- Si la cubierta de la parte eléctrica de la unidad interior y el panel de servicio de la unidad exterior no están ajustados firmemente, podría producirse un incendio o descarga eléctrica debido al polvo, agua, etc.
- Si no lo instala, podría producirse un incendio y una descarga eléctrica.
- De lo contrario, podría producirse un incendio o una avería del aparato.

Asegúrese de que el bastidor de instalación de la unidad exterior no está dañado debido a un uso prolongado.

- Podría producir daños o un accidente.

No desmonte ni modifique los productos sin causa justificada.

- Podría producirse un incendio o una descarga eléctrica.

No instale el aparato en un lugar donde pueda caerse.

- De lo contrario, podrían producirse daños personales.

Tenga cuidado cuando lo desembale e instale.

- Los bordes afilados pueden producir daños.

■ Funcionamiento

No comparta el enchufe con otros aparatos.

- Podría producirse una descarga eléctrica o incendio debido a la generación de calor.

No utilice un cable de alimentación dañado.

- Si lo hace, podría producirse un incendio o una descarga eléctrica.

No modifique ni alargue el cable de alimentación sin causa justificada.

- Si lo hace, podría producirse un incendio o una descarga eléctrica.

Tenga cuidado de no estirar el cable de alimentación durante el funcionamiento.

- Si lo hace, podría producirse un incendio o una descarga eléctrica.

Desenchufe la unidad si emite un sonido extraño, olores o humo.

- Si no lo hace, podría producirse una descarga eléctrica o un incendio.

Manténgala alejada de llamas.

- De lo contrario, podría producirse un incendio.

Si es necesario desenchufar el cable de alimentación, hágalo sujetando la cabeza de la clavija y no lo toque con las manos húmedas.

- De lo contrario, podría producirse un incendio o una descarga eléctrica.

No utilice el cable de alimentación cerca de generadores de calor.

- Si lo hace, podría producirse un incendio o una descarga eléctrica.

No abra la entrada de aspiración de la unidad interior/exterior durante el funcionamiento.

- Si lo hace, podría producirse una descarga eléctrica y una avería.

No permita que entre agua en las partes eléctricas.

- De lo contrario, podría producirse una avería en la unidad o una descarga eléctrica.

Sujete la clavija por la cabeza cuando la saque.

- Podría producirse una descarga eléctrica y daños.

No toque nunca las partes metálicas de la unidad cuando retire el filtro.

- Son afiladas y pueden producir lesiones.

No se suba sobre la unidad interior/exterior ni coloque nada sobre ellas.

- Podrían producirse daños debido al desplome o caída de la unidad.

Si el aparato se ha sumergido en agua, póngase siempre en contacto con el centro de servicio técnico.

- De lo contrario, podría producirse un incendio o una descarga eléctrica.

No coloque ningún objeto pesado sobre el cable de alimentación.

- Si lo hace, podría producirse un incendio o una descarga eléctrica.

Vigile que los niños no se suban a la unidad exterior.

- Si lo hacen, podrían resultar gravemente lesionados debido a una caída.

ATENCIÓN

■ Instalación

Instale la manguera de drenaje para asegurar que el drenaje pueda realizarse correctamente.

- De lo contrario, podrían producirse fugas de agua.

Instale el aparato de modo que el ruido o el aire caliente procedente de la unidad exterior no cause molestias a los vecinos.

- De lo contrario, podrían producirse disputas con los vecinos.

Compruebe siempre si existen pérdidas de gas después de instalar o reparar la unidad.

- Si no lo hace, podría producirse una avería en la unidad.

Instale la unidad bien nivelada.

- Si no lo hace, podrían producirse vibraciones o fugas de agua.

■ Funcionamiento

Evite un enfriamiento excesivo y ventile frecuentemente.

- De lo contrario, podría perjudicar su salud.

Utilice un paño suave para limpiar la unidad. No utilice cera, disolvente ni un detergente fuerte.

- Podría deteriorarse el aspecto del aire acondicionado, cambiar el color o producirse desperfectos en su superficie.

No utilice el aparato para una finalidad especial como el acondicionamiento para animales o vegetales, máquinas de precisión o la conservación de artículos de arte.

- Si lo hace, podrían producirse daños en sus propiedades.

No coloque ningún obstáculo alrededor de las entradas o salidas de aire.

- Si lo hace, podría producirse una avería en el aparato o un accidente.

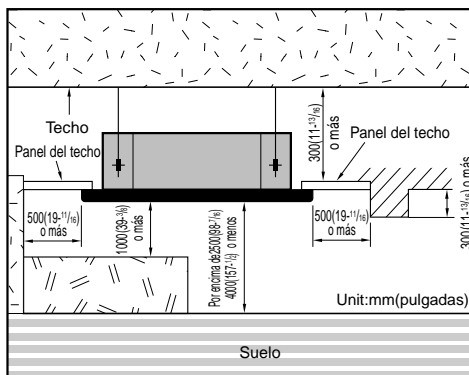
Instalación de las unidades Interior y Exterior

Elección de la mejor ubicación

1. Unidad Interior

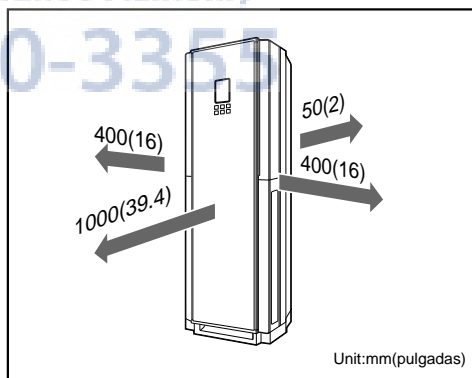
Tipo cassette

- Cerca de la unidad no debe existir ninguna fuente de calor o de vapor.
- No debe existir ningún obstáculo que impida la circulación del aire.
- Elija un lugar de la habitación donde haya buena circulación de aire.
- Elija un lugar donde se facilite un buen desagüe a la unidad.
- Elija un lugar teniendo en cuenta el ruido que produce el aparato.
- No instale la unidad cerca de una puerta de paso.
- Asegúrese de que existen los espacios libres indicados por las flechas desde la pared, el techo u otros obstáculos.
- La unidad interior debe disponer de un espacio suficiente para su mantenimiento.



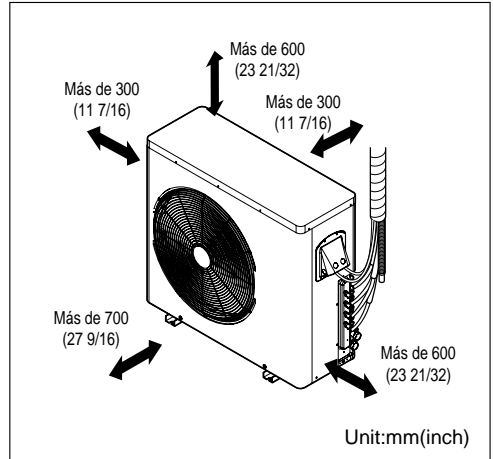
Unidad tipo piso vertical

- No debe haber ninguna fuente de calor o de calefacción cerca de la unidad
- No deberá tener ningún obstáculo que impida la circulación de aire
- Un lugar donde la circulación de aire de la habitación sea buena
- Un lugar donde el desagüe pueda obtenerse fácilmente
- Un lugar donde la prevención de ruido sea considerable
- No instalar la unidad cerca de la puerta
- Asegurarse los espacios indicados por las flechas de los muros, techos, piso u otros obstáculos
- La unidad interior debe disponer de un espacio suficiente para su mantenimiento.



Unidad exterior

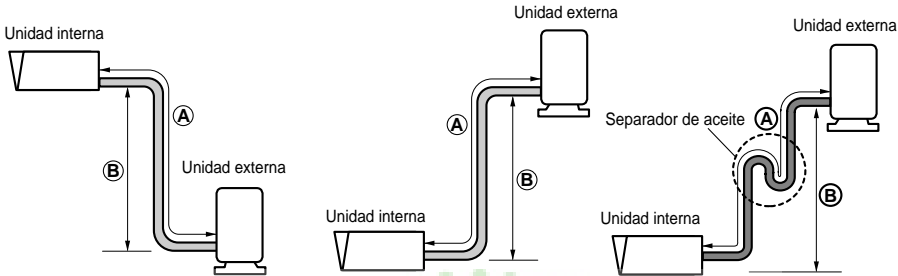
1. Si hay un toldo sobre la unidad para evitar que caiga sobre ella la luz solar o la lluvia directamente, asegúrese de que la radiación de calor del condensador no quede restringida.
2. Asegúrese de respetar el espacio indicado por las flechas en la parte delantera, laterales y posterior de la unidad.
3. No ponga plantas ni animales en la trayectoria que recorrerá el aire caliente.
4. Tenga en cuenta el peso del aire acondicionado y seleccione un lugar en el que el ruido y la vibración sean mínimos.
5. Seleccione un lugar en el que el ruido del aire acondicionado no sean una molestia para los vecinos.



AjMadison
Your Appliance Authority™
800-570-3355

3. Longitud de los conductos y su elevación

Capacidad	Medidas Tubos Unidad : mm(inch)		Longitud A Unidad : m(ft)		Elevación B Unidad : m(ft)		*Refrigerante adicional Unidad : g/m(oz/ft)
	Gas	Líquido	Estándar	Máxima	Estándar	Máxima	
24k Btu/h	15.88(5/8)	9.5(3/8)	7.5(25)	50(164) Tipo cassette	5(16)	30(98) Tipo cassette	35(0.38)
				30(98) Unidad tipo piso vertical		20(66) Unidad tipo piso vertical	



PRECAUCIÓN:

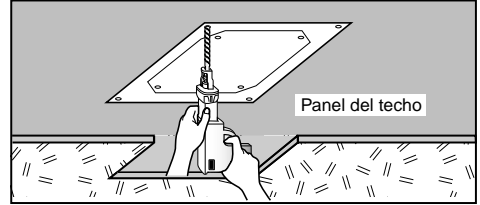
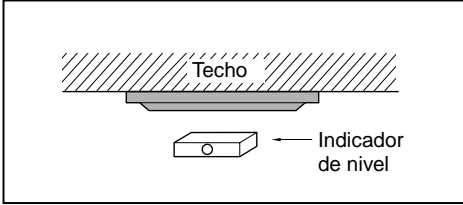
- Rendimiento nominal para una longitud de la tubería de refrigerante de 7,5 m(25ft)
- La capacidad está basada en la longitud estándar y la longitud máxima permitida depende de la fiabilidad.
- Una carga indebida de refrigerante puede ocasionar un ciclo anormal.
- Debería instalarse un colector de aceite cada 10 metros(32.8 ft).

800-570-3355

ESPAÑOL

Instalación de la unidad Interior

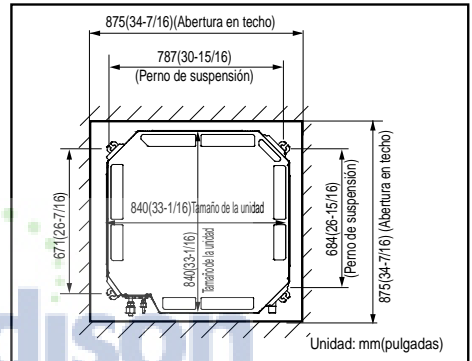
1. Tipo cassette



PRECAUCIÓN:

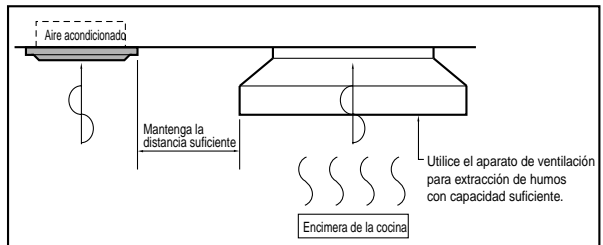
- Este aire acondicionado utiliza una bomba de drenaje.
 - Instale la unidad en posición horizontal utilizando un indicador de nivel.
 - Durante la instalación, deberá tener cuidado de no dañar los cables eléctricos.
- Elija y marque la posición de los pernos de fijación y del orificio de entubado.
 - Determine la posición de los pernos de fijación con ligera inclinación hacia la dirección de drenaje, teniendo en cuenta la dirección de la manguera de drenaje.
 - Perfore en la pared el orificio del perno de fijación.

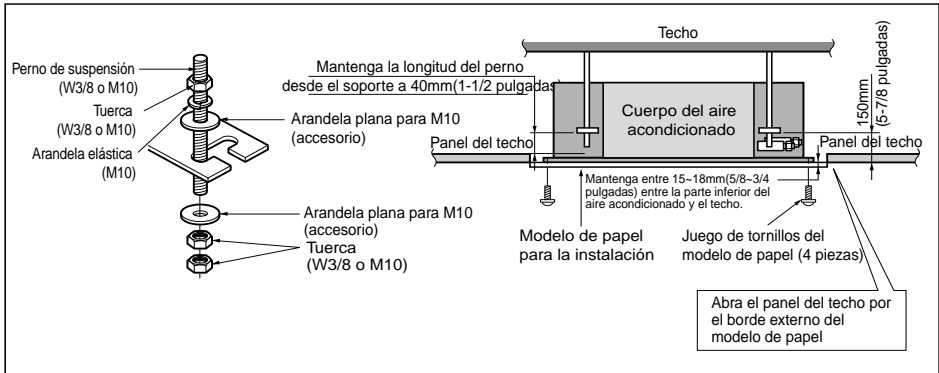
TM/TN/TP Serie



NOTA:

- Evite la instalación en los lugares indicados a continuación.
 1. Restaurantes y cocinas en los que exista una cantidad considerable de vapor de grasa y en los que se genere polvo.
Estas circunstancias pueden disminuir la eficacia de intercambio de calor, goteo de agua o provocar el funcionamiento incorrecto de la bomba de drenaje. En estos casos, tome las siguientes medidas:
 - Asegúrese de que el aparato de ventilación tiene la capacidad suficiente para todos los gases tóxicos generados en este tipo de lugares.
 - Asegúrese de que la distancia a la cocina es suficiente e instale el aire acondicionado en un lugar en el que no aspire vapor con grasas.
 2. Intente no instalar el aire acondicionado en lugares en los que se generen grasas o polvo de hierro.
 3. Evite los lugares en los que se produzcan gases inflamables.
 4. Evite los lugares en los que se produzcan gases nocivos.
 5. Evite los lugares cercanos a generadores de alta frecuencia.





• Las piezas siguientes son opcionales:

- ① Perno de suspensión W 3/8 o M10
- ② Tuerca W 3/8 o M10
- ③ Arandela de resorte M10
- ④ Arandela plana M10

• Taladre en la pared el orificio de la tubería ligeramente inclinado hacia el exterior utilizando una broca Ø70.

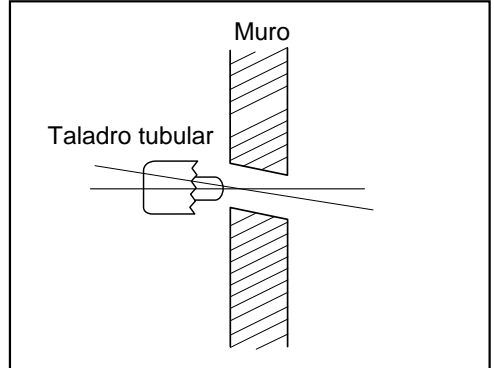
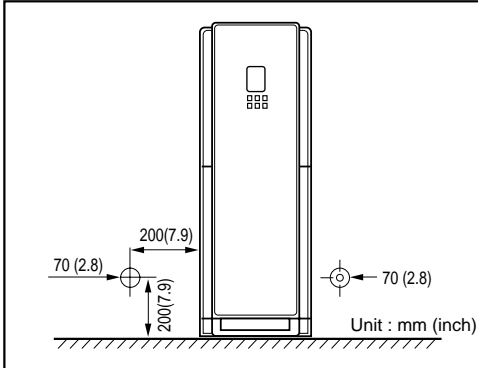


PRECAUCIÓN:

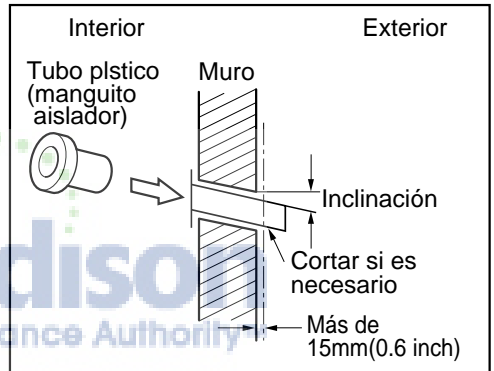
Apriete la tuerca y el perno para evitar que la unidad se caiga.



2. Unidad tipo piso vertical



1. El suelo del montaje deberá ser suficientemente fuerte y sólido para prevenirla de vibraciones
2. Hacer un hoyo de la tubería con un taladro tubular de 70mm de diámetro tanto en el lado izquierdo como en el derecho. El hoyo deberá ser inclinado para el lado exterior.
3. Insertar el tubo plástico a través del hoyo.
4. Cortar la parte sobrante del tubo plástico del exterior del muro, si es necesario



Madiso
Your Appliance Authority
800-570-3355

Instalación Preparación del mando a distancia

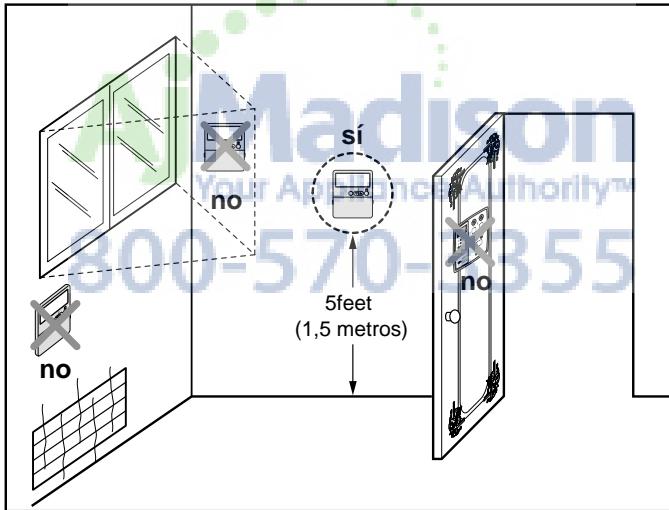
Instalación del controlador remoto alámbrico

- Puesto que el sensor de temperatura de estancia se encuentra en el controlador remoto, la caja de este debe ser instalada lejos de ubicaciones con luz solar directa, condiciones de humedad elevada y chorro directo de aire frío, a fin de mantener una correcta temperatura en dicha estancia.

Instale el controlador remoto a unos 5 pies (1,5 m) sobre el suelo, en un área con buena circulación de aire y temperatura media.

No instale el controlador remoto en lugares donde pueda verse afectado por:

- Corrientes de aire o espacios muertos tras puertas y en esquinas.
- Aire frío o caliente de los conductos.
- Calor radiante del sol o de electrodomésticos.
- Chimeneas y conductos ocultos.
- Áreas sin control, como una pared exterior tras el controlador remoto.
- Este mando a distancia está equipado con una pantalla LED de siete segmentos. Para la correcta visualización de los LEDs del controlador remoto, este debe ser correctamente instalado, como muestra la Fig. 1.

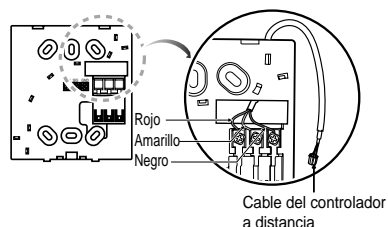


(Fig.1)

Instalación del mando a distancia(Tipo cassette)

1. Conecte el cable del controlador a distancia a la placa de instalación correspondiente, como ilustra la imagen derecha.

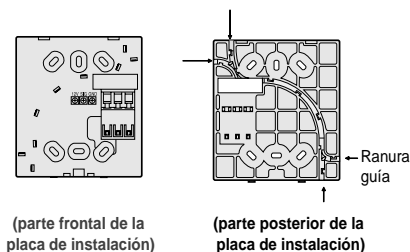
12V	Cable rojo
SIG	Cable amarillo
PUESTA A TIERRA	Cable negro



- * El cable del controlador a distancia está conectado como ajuste predeterminado de fábrica.

2. Tras fijar el cable a la ranura guía, acople la placa de instalación del controlador a distancia alámbrico en la ubicación deseada.

- Antes de fijar el cable del controlador a distancia a la ranura guía, retire cualquier obstrucción existente en la carcasa en la dirección de instalación antes de proceder.



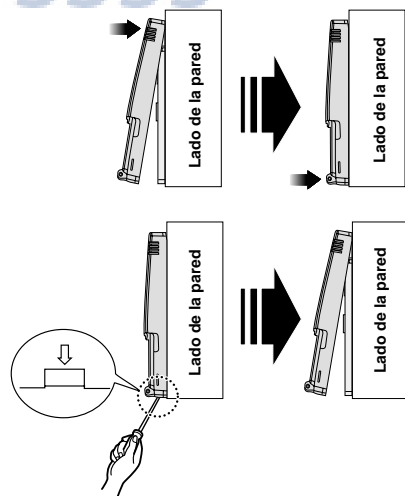
3. Tras ubicar la placa de instalación del controlador a distancia alámbrico en la posición deseada, atornille firmemente la unidad. (En el caso de unidades empotradas, instale la placa del controlador a distancia alámbrico conforme a esta disposición.)

- Utilice los tornillos incluidos.

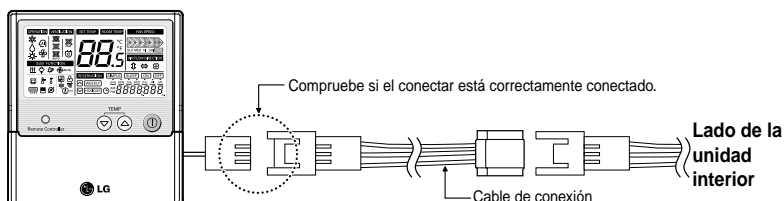


4. Tras fijar la parte superior del controlador a distancia a la placa de instalación, como indica la imagen adjunta, presione la parte inferior para montar el controlador sobre su placa.

Al desmontar el controlador a distancia de la placa de instalación, utilice el controlador como ilustra la imagen derecha e introdúzcalo en el orificio con la flecha. Al tirar de la unidad en sentido frontal, separará el controlador a distancia.



5. Utilice el cable de conexión para conectar la unidad interior y el controlador a distancia.



6. Cuando la distancia entre el controlador a distancia alámbrico y la unidad interior sea de 10 m o más, utilice una alargadera.

⚠ ATENCIÓN

Al instalar el controlador a distancia alámbrico, no lo empotre en la pared. (Podría ocasionar daños en el sensor de temperatura.)

No instale el cable con una longitud de 50 m o más. (Esto podría ocasionar errores de comunicación.)

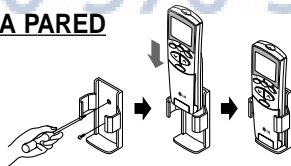
- Al instalar la alargadera, compruebe la dirección de conexión del conector del lado del controlador a distancia y el lado del producto para revisar que la instalación sea correcta.
- Si instalara el cable de extensión en la dirección contraria, el conector no se conectaría.
- Especificación de la alargadera: 2547 1007 22#2 con núcleo 3 blindado 5 ó superior.

ESPAÑOL

Instalación Preparación del mando a distancia

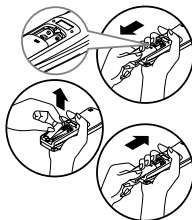
800-570-3355

CÓMO INSTALARLO EN UNA PARED



CÓMO COLOCAR LAS PILAS

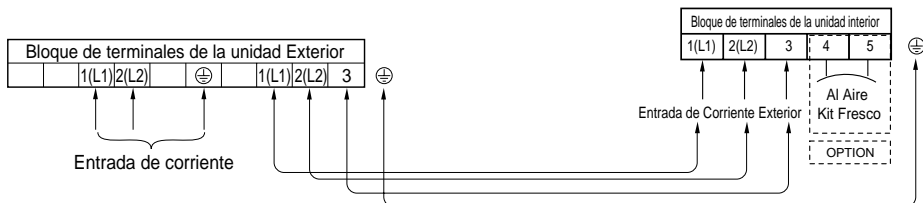
1. Retire la tapa de las pilas del mando a distancia.
 - Deslice la tapa siguiendo la dirección de la flecha.
2. Coloque las dos pilas
 - Asegúrese de que las direcciones (+) y (-) son correctas.
 - Asegúrese de que las dos pilas son nuevas.
3. Vuelva a colocar la tapa
 - Deslícela de nuevo a su posición.



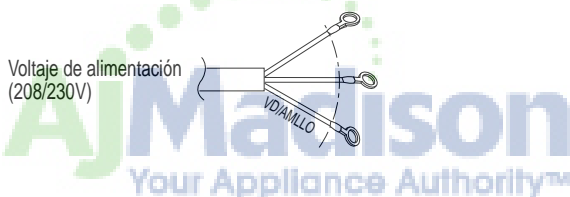
- No utilice pilas recargables; ese tipo de pilas son distintas a las pilas secas estándares en su forma, dimensiones y rendimiento.
- Retire las pilas del mando a distancia si el acondicionador de aire no se va a utilizar durante un periodo prolongado de tiempo.

Conexión del cableado

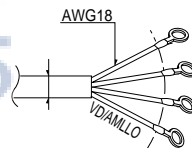
- ⚠ ADVERTENCIA :** Un cableado flojo puede causar que el terminal se sobrecaliente o derive en averías en la unidad. También puede existir riesgo de incendio. Asegúrese, por tanto, de que todo el cableado está firmemente conectado.



- ⚠ Recomendación:** El cable de alimentación conectado a la unidad exterior debe cumplir las siguientes normas (reconocido por ETL y certificado por CSA).



El cable de conexión a la red conectado a la unidad interior y exterior debe cumplir las siguientes normas (reconocido por ETL y certificado por CSA).

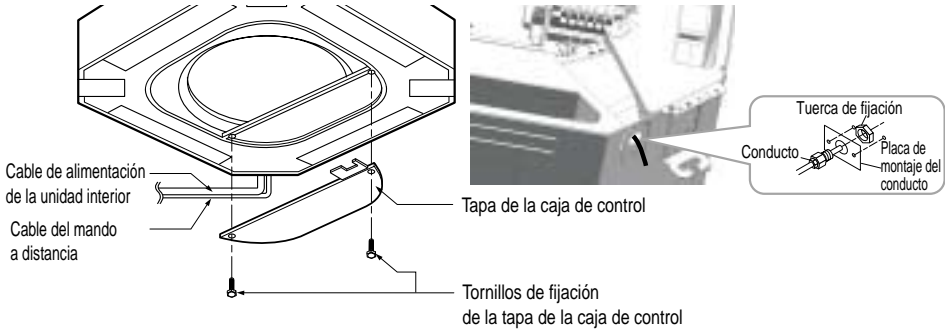


- ⚠ Recomendación:** Cuando utilice el cable independiente como cable de alimentación, fije éste en el panel de la caja de control utilizando una abrazadera plástica como elemento de fijación.

Conexión del cable a la unidad interior

1. Tipo cassette

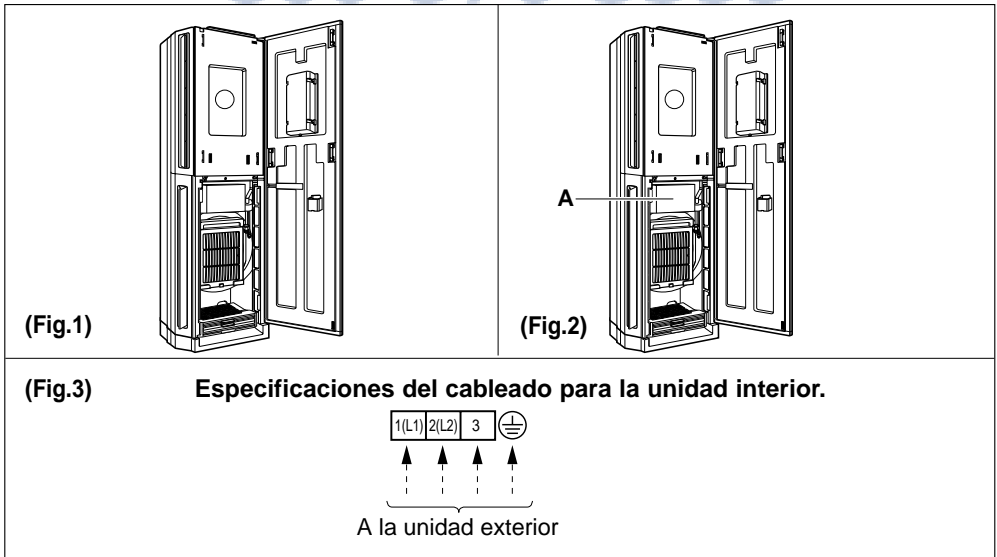
- Abra la tapa de la caja de control y conecte el cable del mando a distancia y los cables de alimentación de la unidad interior.



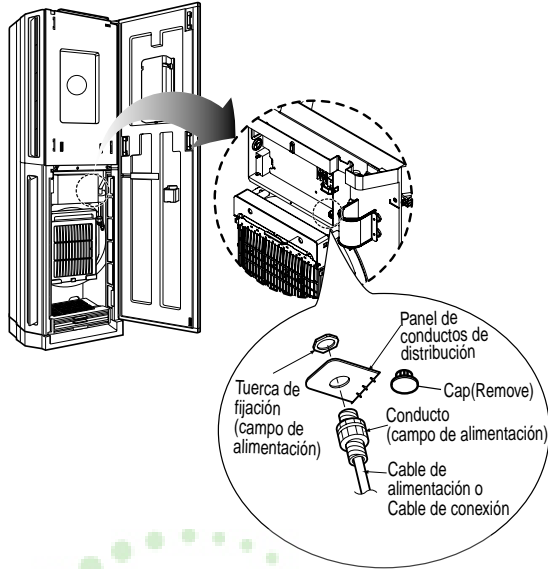
2. Unidad tipo piso vertical

El procedimiento de conexión del cable a la unidad exterior es el siguiente:

- Abra la puerta frontal manualmente, como se indica en la Fig. 1.
- Abra la cubierta de la caja de control (A) mediante un destornillador de estrella (\oplus), como se indica en la Fig.2.
- Conecte los cables (LG no lo proporciona) al bloque de terminales de la unidad interior, como se indica en la Fig. 3.
- Instale el cable de alimentación o de conexión como en la figura 4 para evitar que los cables de conexión se corten con un borde afilado del orificio.
- Sujete la cubierta de la caja de control (A) en su posición original con la ayuda del destornillador de estrella (\oplus).
- Cierre la puerta frontal.



(Fig.4)



AjMadison
Your Appliance Authority™
800-570-3355

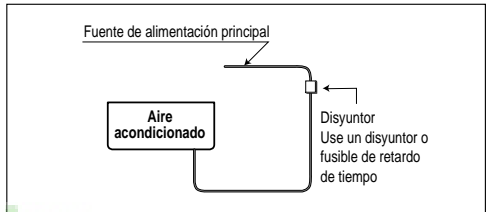
Cableado Eléctrico

1. Todos los cables deben cumplir la **NORMATIVA LOCAL**.
2. Elija una fuente de alimentación que sea capaz de suministrar la corriente que necesita el acondicionador de aire.
3. La alimentación eléctrica a la unidad debe realizarse por medio de un tablero de distribución diseñado para este propósito.
4. Los tornillos de los terminales en el interior de la caja de control pueden aflojarse a causa de las vibraciones durante el transporte del aparato. Compruebe si los tornillos se han aflojado. (El funcionamiento del acondicionador de aire con las conexiones flojas puede provocar una sobrecarga y dañar los componentes eléctricos).
5. Conecte siempre a tierra el acondicionador de aire con un cable de tierra y un conector para cumplir la **NORMATIVA LOCAL**.



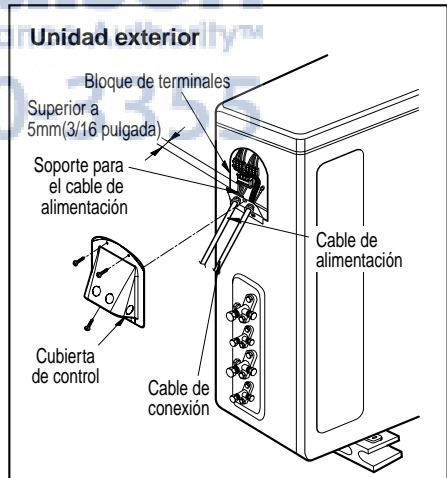
PRECAUCIÓN:

- El diagrama de circuito anterior está sujeto a cambio sin previo aviso.
- Cerciórese de conectar los cables de acuerdo con el diagrama de cableado.
- Conecte los cables firmemente, de modo que no pueda estirar de ellos fácilmente.
- Conecte los cables según los códigos de color consultando el diagrama de cableado.



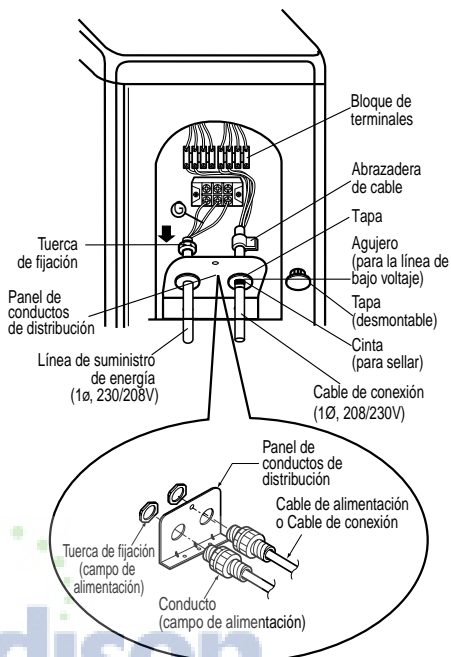
Conexión del cable a la unidad exterior

1. Retire la tapa del control de la unidad aflojando un tornillo. Conecte individualmente los cables a los terminales del tablero de control según las siguientes instrucciones.
2. Sujete el cable al tablero de control con el soporte (fijador)
3. Vuelva a colocar la tapa de control en su posición original con el tornillo.
4. Utilice un disyuntor aprobado de entre la fuente de alimentación y la unidad. Se debe instalar un dispositivo de desconexión para que se desconecten de forma adecuada todas las líneas de suministro.



Método de conexión del cable de conexión (Ejemplo)

- (1) Desmonte las dos tapas del panel del conducto.
(para línea de baja tensión)
- (2) Tirar del cable de conexión a través del conducto
- (3) Una vez el conducto haya pasado a través del panel, asegure la tuerca en el lado opuesto del mismo.
- (4) Pase el cable de conexión a través del agujero.
- (5) Conecte adecuadamente el cable en el bloque de terminales.
- (6) Fije el cable de conexión con la abrazadera suministrada con la unidad para que no se deforme en el terminal cuando el cable de conexión se estire hacia afuera con un peso de hasta 35 libras.



ADVERTENCIA: Si los cables están flojos puede que el terminal se sobrecaliente o se produzca un funcionamiento defectuoso de la unidad. También puede producirse un incendio. Por lo tanto, asegúrese de que todos los cables están conectados correctamente.

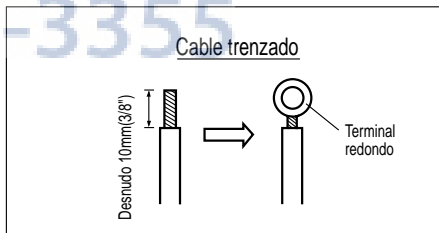
Cuando conecte cada cable de alimentación al terminal correspondiente, siga las instrucciones "Cómo conectar los cables a los terminales" y asegure el cable firmemente con el tornillo de fijación de la placa de terminales.

Cómo conectar los cables a los terminales

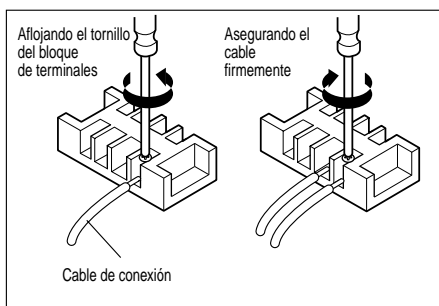
■ Para cable trenzado

- (1) Corte el extremo del cable con un cortador de cables o unos alicates de corte de cables y, a continuación, retire el aislamiento para que el cable trenzado quede desnudo unos 10mm (3/8").
- (2) Utilizando un destornillador, retire el tornillo o tornillos de la placa de terminales.
- (3) Utilizando una abrazadera o alicates para terminal redondo, fije firmemente cada extremo de cable desnudo con un terminal redondo.
- (4) Posicione el cable del terminal redondo y reemplace y apriete el tornillo del terminal utilizando un destornillador.

Cable de alimentación



Cable de conexión



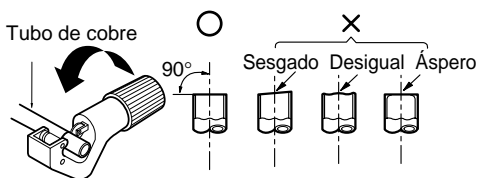
Trabajo de abocinado y conexión de las tuberías

Trabajo de abocinado

La principal causa de fugas de gas es un defecto en el proceso de conexión por abocardado. Realice las conexiones por abocardado del siguiente modo.

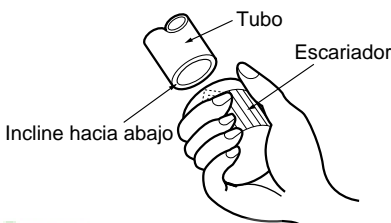
1) Corte las tuberías y el cable

- Utilice el kit de accesorios para las tuberías o las tuberías que adquiera usted.
- Mida la distancia entre la unidad interior y la exterior.
- Corte las tuberías más largas que las medidas tomadas.
- Corte el cable 1.5m(4.9ft) más largo que la longitud del tubo.



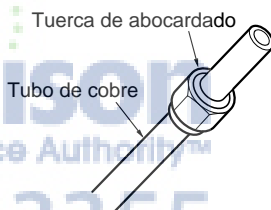
2) Elimine las irregularidades

- Elimine totalmente las irregularidades del tubo por donde ha sido cortado.
- Coloque el extremo del tubo de cobre hacia abajo mientras elimina las irregularidades para evitar que caigan impurezas en el tubo.



3) Colocación de la tuerca

- Saque las tuercas abocardadas que se encuentran en las unidades interiores y exteriores y colóquelas en la tubería una vez eliminadas las irregularidades. (No es posible colocarlas después del proceso de abocardado)

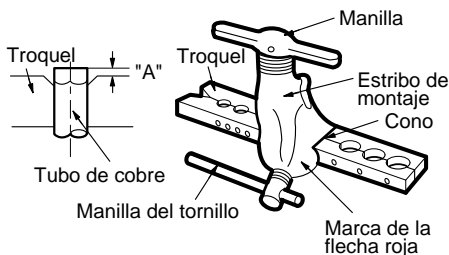


4) Abocardado

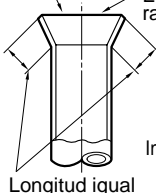
- Proceda al abocardado usando las herramientas de abocardar como se muestra a continuación.

Diámetro exterior		A	
mm	inch	mm	inch
Ø6.35	1/4	1.1~1.3	0.04~0.05
Ø9.52	3/8	1.5~1.7	0.06~0.07
Ø12.7	1/2	1.6~1.8	0.06~0.07
Ø15.88	5/8	1.6~1.8	0.06~0.07
Ø19.05	3/4	1.9~2.1	0.07~0.08

Sujete firmemente el tubo en un troquel como se indica en la tabla de dimensiones anterior.



Liso en toda la superficie
El interior brilla sin rasguños



= Abocardado incorrecto =

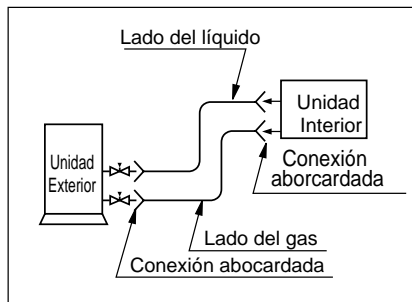


5) Comprobación

- Compare el resultado del abocardado con la figura.
- Si observa que el abocardado es defectuoso, corte la sección abocardada y proceda de nuevo a realizar la operación.

Conexión de las tuberías

1. Dé forma a la tubería según el recorrido que vaya a tener. Evite doblar y enderezar un determinado punto de la tubería más de tres veces (Provocará que se endurezca el tubo).
2. Después de darle forma a la tubería, realice la alineación de los adaptadores de unión de la unidad interior y la tubería y apriételos después con firmeza con unas llaves inglesas.
3. Conecte la tubería a la válvula de servicio o válvula esférica ubicada debajo de la unidad exterior.
4. Tras finalizar la conexión de la tubería, asegúrese de comprobar si hay fugas de gas en las conexiones de las unidades interior y exterior.



Secamiento al vacío

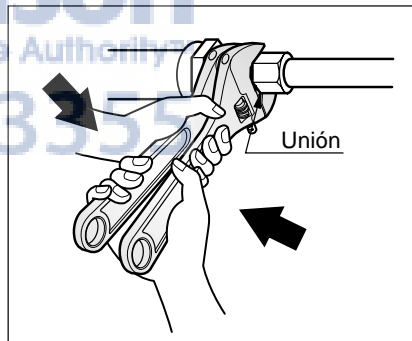
Tras finalizar la conexión de las tuberías, realice un secamiento al vacío de la tubería de conexión y la unidad interior.

El secamiento al vacío se debe realizar utilizando los puertos de servicio de las válvulas de los lados del líquido y del gas.



PRECAUCIÓN: Utilice dos llaves inglesas y apriete con un par de apriete regular.

Diámetro exterior		torque	
mm	inch	kgf·m	(lbf·ft)
Ø6.35	1/4	1.8-2.5	(13-18)
Ø9.52	3/8	3.4-4.2	(24-30)
Ø12.7	1/2	5.5-6.6	(40-48)
Ø15.88	5/8	6.3-8.2	(46-59)
Ø19.05	3/4	9.9-12.1	(72-88)



Instalación del Panel Decorativo

**El panel decorativo incluye sus propias instrucciones de instalación.
Antes de instalar el panel decorativo, retire siempre la plantilla de papel.**

1. Retire el material de embalaje y desmonte la rejilla de entrada de aire del panel frontal.

Rejilla frontal



2. Desmonte los cubre-esquinas del panel.

Cubre-esquinas



3. Ajuste el panel sobre la unidad introduciendo los ganchos como ilustra la imagen.

Clip de enganche
Gancho

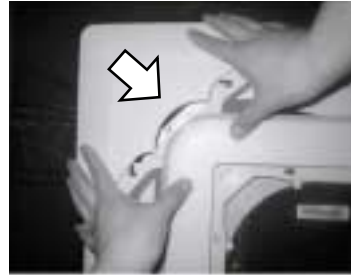


4. Introduzca dos tornillos en las esquinas diagonales del panel. No apriete aún los tornillos. (Los tornillos de fijación se incluyen en la caja de la unidad interior). Compruebe la alineación del panel con el techo. Es posible ajustar la altura mediante el uso de pernos de suspensión, como ilustra la imagen. Introduzca los otros dos tornillos y apriételes todos al máximo.

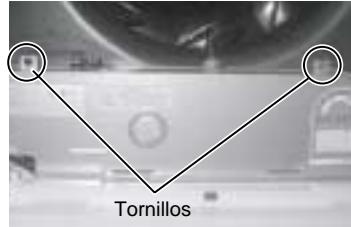



 Your Appliance Authority™
 800-570-3355

5. Ajuste los cubre-esquinas..



6. Retire los dos tornillos de control de la cubierta del panel.

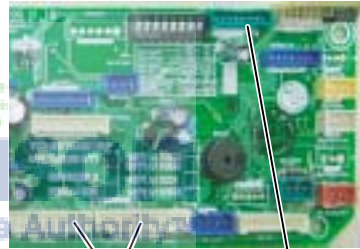


7. Una un conector de visualización y dos conectores de control de álabes del panel frontal a la PCI de la unidad interior.

La marca de posición en la PCI es:

Conector de visualización: CN-DISPLAY

Conector de control de álabes: CN-VANE 1,2



CN-VANE 1,2

CN-DISPLAY

8. Cierre la cubierta de la caja de control.



9. Instale la rejilla de entrada de aire y el filtro en el panel.

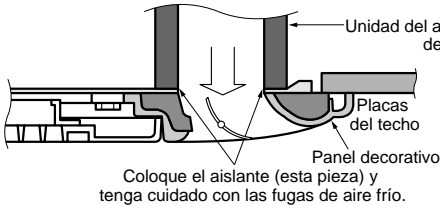




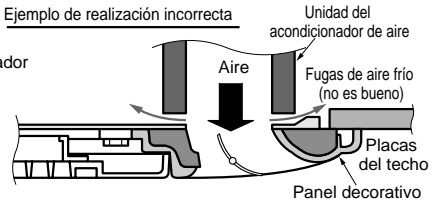
PRECAUCIÓN: Instale correctamente el panel decorativo.

Las fugas de aire frío provocan condensación → Caída de gotas de agua.

Ejemplo de realización correcta



Ejemplo de realización incorrecta



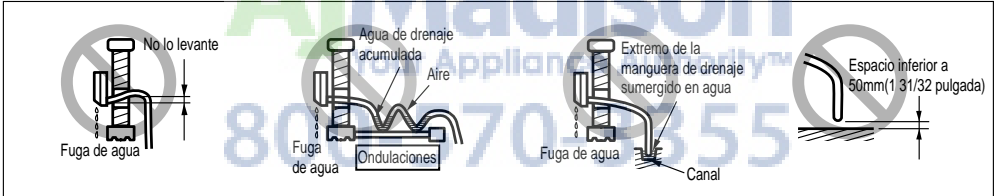
Tubería de drenaje de la unidad interior

[Unidad tipo piso vertical]

1. La manguera de drenaje debe dirigirse hacia abajo para facilitar el drenaje.



2. No instale las tuberías de drenaje.

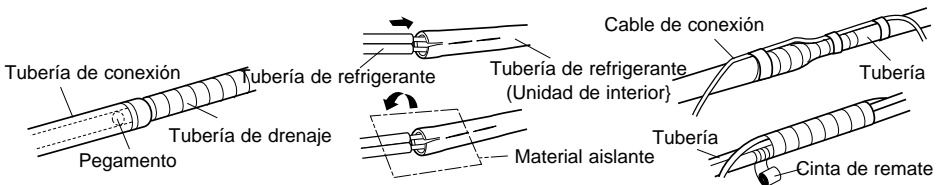


Utilización de la cinta de remate para la tubería de drenaje

Tras aplicar el pegamento, inserte completamente la tubería de drenaje.

Envuelva el material de aislante para conectar el material aislante de la unidad interior y el de la tubería de conexión.

Envuelva la cinta de remate alrededor de la tubería de conexión, la de drenaje y el cable.



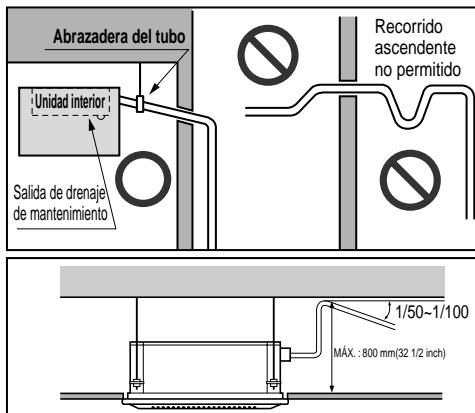
[Tipo cassette]

- El entubado de drenaje debe tener una pendiente hacia abajo (de 1/50 a 1/100): asegúrese de que la pendiente no suba y baje para evitar la inversión del flujo.
- Durante la conexión del entubado de drenaje, tenga cuidado de no forzar demasiado la salida de drenaje de la unidad interior.
- El diámetro externo de la conexión de drenaje de la unidad interior es de 32mm (1 1/4 inchs).

Material de los tubos: Tubo VP-25 y accesorios de polícloruro de vinilo

- No olvide colocar el aislamiento térmico en el entubado de drenaje.

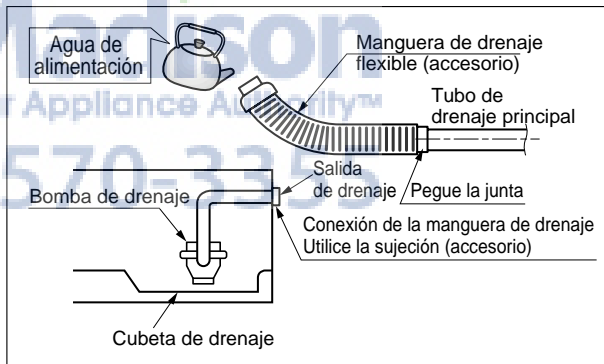
Material de aislamiento térmico: Espuma de polietileno con grosor por encima de 8mm (5/16 inchs).



Prueba de drenaje

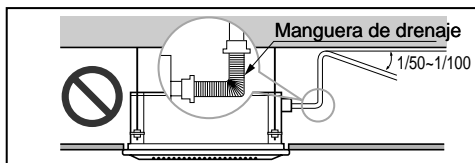
El aire acondicionado utiliza una bomba de drenaje para drenar el agua. Siga los pasos siguientes para probar el funcionamiento de la bomba de drenaje:

- Conecte el tubo de drenaje principal al exterior y déjelo de forma provisional hasta que concluya la prueba.
- Vierta agua por la manguera de drenaje flexible y compruebe y hay fugas en los tubos.
- Asegúrese de comprobar el correcto funcionamiento de la bomba de drenaje y el ruido una vez completado el cableado eléctrico.
- Una vez concluida la prueba, conecte la manguera de drenaje flexible a la salida de drenaje de la unidad interior.



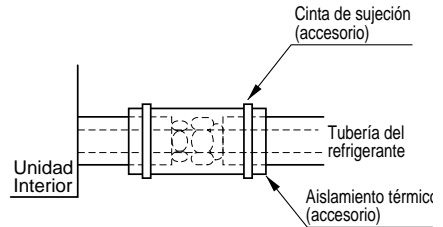
PRECAUCIÓN:

La manguera de drenaje suministrada no debería ser curvada, ni atornillada. El curvado o atornillado de la manguera puede causar una fuga de agua.



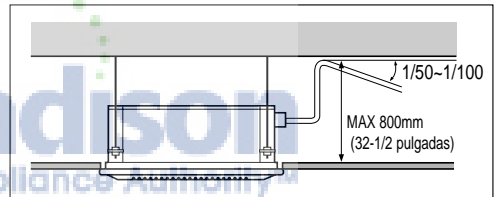
Aislamiento térmico

1. Utilice el material de aislamiento térmico para la tubería del refrigerante ya que tiene una excelente resistencia térmica [más de 120°C(248°F)].
2. Precauciones en condiciones de gran humedad:
Este acondicionador de aire ha sido ensayado de acuerdo con las Condiciones Estándares KS con Humedad y se ha confirmado que no tiene ningún defecto. Sin embargo, si se pone en funcionamiento durante un periodo prolongado de tiempo en una atmósfera con gran humedad [temperatura del punto de condensación superior a 23°C(73.4°F)], es posible que caigan gotas de agua. En este caso, añada material de aislamiento térmico según el procedimiento siguiente:
 - Material de aislamiento térmico que se debe preparar: Lana de vidrio adiabático con un espesor entre 10 y 20 mm.
 - Pegue la lana de vidrio en todos los acondicionadores de aire que estén ubicados en el techo.
 - Además del aislamiento térmico normal (espesor superior a 8 mm) para la tubería del refrigerante (tubería del gas: tubo grueso) y para la tubería de drenaje, añada más material con un espesor entre 10 y 30 mm.

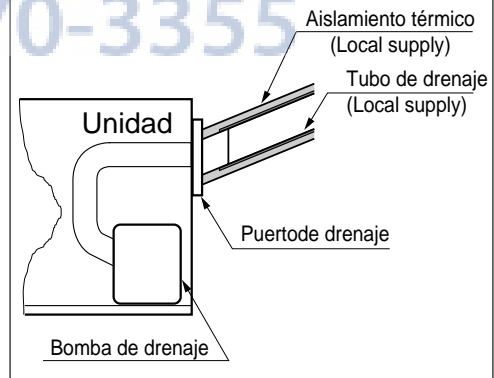


Atención

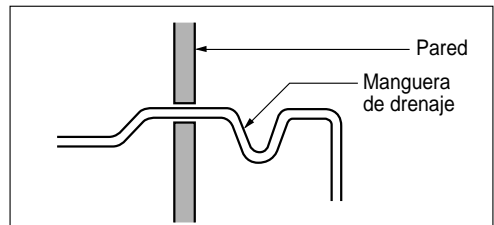
1. La altura de drenaje posible es hasta 800mm (32-1/2 inch). Por lo tanto, deberá instalarse por debajo de 700mm(27 9/16 inchs).
2. Mantenga la manguera de drenaje hacia abajo con una inclinación máxima de 1/50-1/100. Evite cualquier subida o retorno de flujo.
3. Deberá existir en todo momento un aislador térmico de 5mm(3/16 inch) o más de grosor para el tubo de drenaje.



3. Deberá existir en todo momento un aislador térmico de 5mm(3/16 inch) o más de grosor para el tubo de drenaje.



4. Prohibida la colocación hacia arriba.
5. Asegúrese de comprobar el correcto funcionamiento de la bomba de drenaje y el ruido extraño una vez completado el cableado eléctrico.



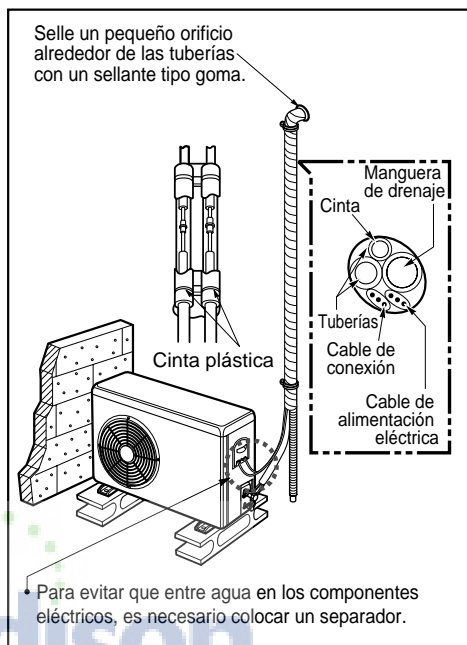
Monte las tuberías

Monte las tuberías envolviendo la porción de conexión de la unidad interior con material aislante y asegúrelo con dos tipos de cintas de vinilo.

- Si desea conectar una manguera adicional de drenaje, el final de la salida de drenaje debería estar enrutado sobre el suelo. Asegure la manguera de drenaje adecuadamente.

En casos en los que la unidad exterior esté instalada por debajo de la unidad interior, siga estas instrucciones.

1. Cierre con cinta la tubería, la manguera de drenaje y el cable de conexión desde abajo a arriba.
2. Asegure la tubería roscada a lo largo de la pared exterior usando una bancada o equivalente.

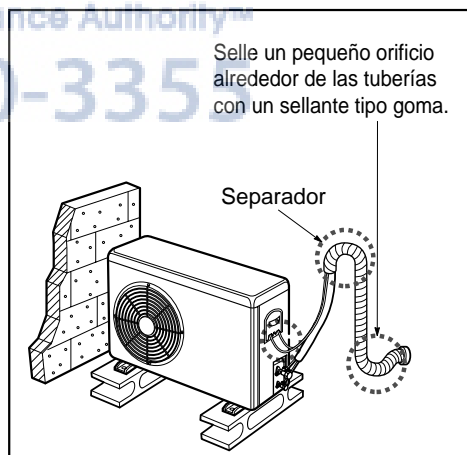


En casos en los que la unidad exterior se instale sobre la unidad interior, siga estas instrucciones.

1. Cierre con cinta la tubería, la manguera de drenaje y el cable de conexión desde abajo a arriba.
2. Asegure la tubería protegida por cinta a lo largo de la pared exterior. Canalice para evitar que entre el agua en la sala.
3. Acople las tuberías a la pared usando una bancada o equivalente.

Posicionamiento de la unidad interior

1. Ancle horizontal y firmemente la unidad exterior con un tornillo y una tuerca (10 mm Ø) sobre un soporte rígido o de hormigón.
2. Cuando la instale en una pared, techo o tejado, sujete firmemente la base de montaje con un anclaje o cable teniendo en cuenta la influencia del viento y los terremotos.
3. Si la vibración de la unidad se transmite a la manguera, asegure la unidad con goma antivibración.



Prueba de Funcionamiento

1. PRECAUCIONES DURANTE LA PRUEBA DE FUNCIONAMIENTO

- La alimentación eléctrica inicial debe suministrar como mínimo el 90 % del voltaje nominal. En caso contrario, el acondicionador de aire no funcionará.



PRECAUCIÓN:

- ① **Á** Para la prueba de funcionamiento, realice primero una operación de refrigeración, incluso durante una estación calurosa. Si se realiza primero una operación de calefacción, pueden surgir problemas con el compresor. Se debe prestar mucha atención.
- ② **É** Realice la prueba de funcionamiento durante más de 5 minutos sin fallos. (La prueba de funcionamiento se cancelará automáticamente 18 minutos después)

CUANDO ESTÉ FINALIZADA LA INSTALACIÓN, COMPRUEBE LOS SIGUIENTES PUNTOS

- Una vez finalizado el trabajo, asegúrese de medir y registrar las circunstancias de la prueba de funcionamiento y los datos almacenados de las mediciones.
 - Los elementos de medición son: temperatura de la habitación, temperatura exterior, temperatura de succión, temperatura de soplado, velocidad del viento, volumen de viento, voltaje, corriente, presencia de vibraciones y ruidos anormales, presión de funcionamiento, temperatura de las tuberías y presión compresiva.
 - En relación con la estructura y aspecto exterior, compruebe los siguientes puntos.
 - La circulación de aire es adecuada?
 - El drenaje es suave?
 - El aislamiento térmico es completo? (tuberías del refrigerante y de drenaje)
 - Existe alguna fuga de refrigerante?
 - Funciona el interruptor del mando a distancia?
 - Existe algún cableado defectuoso?
 - Están flojos los tornillos de los terminales?
- M4.....118N.cm{12kgf.cm} M5.....196N.cm{20kgf.cm}
M6.....245N.cm{25kgf.cm} M8.....588N.cm{60kgf.cm}

2. Conexión de la alimentación eléctrica

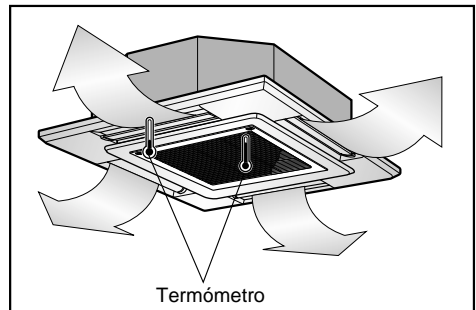
1. Conecte el cable de alimentación al suministro eléctrico independiente

- Es necesario un disyuntor.

2. Haga funcionar la unidad durante quince minutos o más.

3. Evaluación del funcionamiento

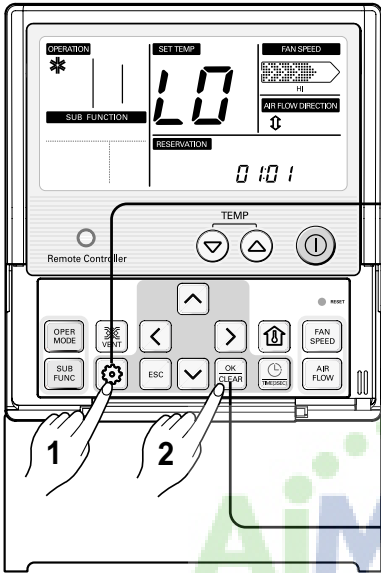
1. Mida la temperatura de entrada y salida del aire.
2. Asegúrese de que la diferencia entre la temperatura de entrada y la de salida es superior a 8°C (refrigeración) o al contrario (calefacción).



Installer Setting -Test Run Mode

Cassette type

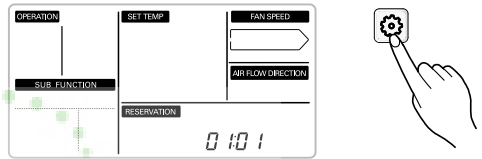
After installing the product, you must run a Test Run mode.
For details related to this operation, refer to the product manual.



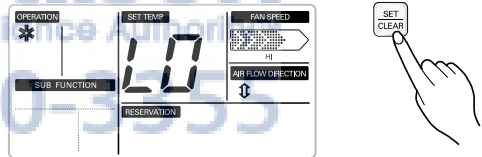
1 Mantenga presionado el botón de configuración (⚙️) durante 4 segundos para entrar en el modo de configuración para el instalador, hasta que los dígitos del temporizador muestren

0 : 10 : 1

Código de función Establecer

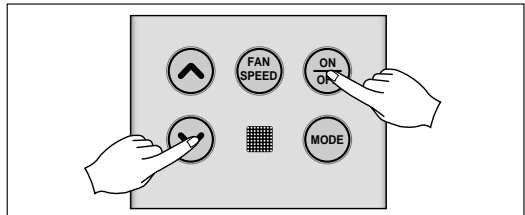


2 Presione el botón (SET CLEAR) para comenzar.



Unidad tipo piso vertical

Pulse la tecla de bajar temperatura y la de On/Off simultáneamente durante 3 segundos en el lateral de la unidad interior.



- * Los modos de enfriamiento, ventilación y dirección de flujo de aire funcionarán durante 18 minutos con independencia de la temperatura de la estancia.
- * Tras 18 minutos de modo de prueba, el sistema se apagará automáticamente.
- * En el caso de sistema de tipo tubo, la función de flujo de aire ARRIBA/ABAJO no será mostrada.
- * Durante el modo de prueba, la recepción de una señal desde el controlador remoto alámbrico puede hacer que esta operación se detenga.
Si presiona cualquier botón, detendrá el modo de Prueba.



PRECAUCIÓN: Después de confirmar las condiciones anteriores, prepare el cableado de la forma siguiente:

- 1) Se debe contar siempre con una alimentación eléctrica individual y específica para el acondicionador de aire. En cuanto al método de cableado, siga las orientaciones del diagrama del circuito que encontrará en el interior de la tapa de la caja de control.
- 2) Instala un interruptor disyuntor entre la fuente de alimentación y la unidad.
- 3) Los tornillos que sujetan el cable en la caja de las conexiones eléctricas se pueden aflojar por las vibraciones a que está sometida la unidad durante el transporte. Compruébelos y asegúrese de que están apretados (si se aflojan se podría provocar la ignición de los cables).
- 4) Especificación de la fuente de alimentación.
- 5) Confirme que la capacidad eléctrica es suficiente.
- 6) Asegúrese de que el voltaje inicial se mantiene durante más del 90 por ciento del voltaje nominal señalado en la placa del nombre.
- 7) Confirme que la sección del cable es la misma que la señalada en las especificaciones de las fuentes de alimentación (Tenga en cuenta especialmente la relación entre longitud y sección).
- 8) No olvide nunca instalar un ruptor de fugas cuando exista humedad.
- 9) Una caída de tensión puede provocar los siguientes problemas:
 - Vibración de un interruptor magnético, daños en el punto de contacto del mismo, rotura de fusibles, perturbaciones en el funcionamiento normal de un dispositivo de protección contra sobrecargas.
 - No se suministra al compresor una alimentación eléctrica adecuada.

ENTREGA

Enseñe al cliente los procedimientos de funcionamiento y mantenimiento utilizando el manual de funcionamiento. (limpieza del filtro de aire, control de la temperatura, etc.)

800-570-3355

Prueba de fugas y evacuación

El aire y la humedad que permanecen en el sistema refrigerante tienen efectos indeseables como se indica a continuación.

1. Aumenta la presión en el sistema.
2. Aumenta el consumo eléctrico.
3. Disminuye la eficacia de enfriamiento (o calentamiento).
4. La humedad en el circuito refrigerante puede congelar y bloquear los tubos capilares.
5. El agua puede provocar la corrosión de piezas del sistema refrigerante.

Por lo tanto, debe comprobarse la estanqueidad en la unidad interior/exterior y la tubería de conexión y realizarse un vacío para evitar la condensación de gas y humedad en el sistema.

Método de comprobación

Preparación

- Compruebe que cada tubería (tuberías de lado líquido y lado gas) entre la unidad interior y exterior se ha conectado adecuadamente y que se ha completado todo el cableado para la prueba de funcionamiento. Retire los tapones de las válvulas de servicio del lado gas y del lado líquido en la unidad exterior. Compruebe que las válvulas de servicio del lado gas y del lado líquido de la unidad exterior permanecen cerradas en este paso.

Prueba de fugas

- Conecte la válvula múltiple (con manómetros) y el cilindro de gas nitrógeno seco a este puerto de servicio con las mangueras de carga.

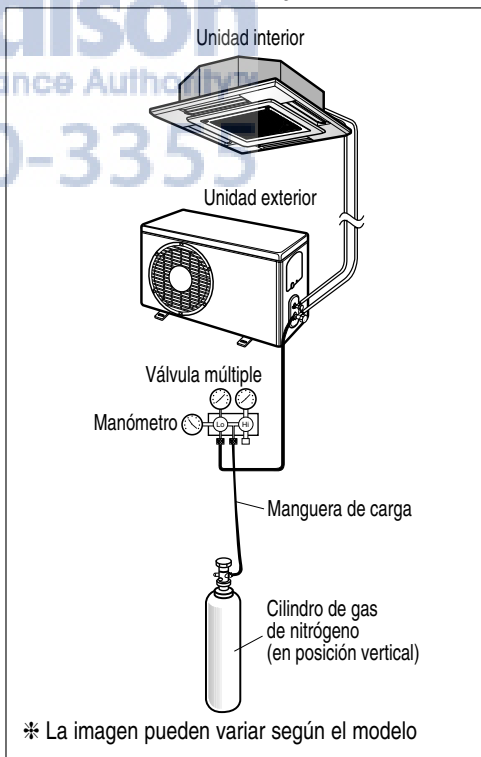
PRECAUCIÓN: Utilice una válvula múltiple para realizar la prueba de fugas. La válvula múltiple del lado superior siempre debe mantenerse cerrada.

- Presurice el sistema a no más de 150 P.S.I.G. con gas de nitrógeno seco y cierre la válvula del cilindro cuando la lectura alcance 150 P.S.I.G. A continuación, compruebe la existencia de fugas con jabón líquido.

PRECAUCIÓN: Para evitar la entrada de nitrógeno en estado líquido al sistema refrigerante, la parte superior del cilindro debe estar más alta que la parte inferior cuando presurice el sistema. Normalmente, el cilindro se utiliza en posición vertical.

AVISO: La prueba de fugas debe realizarse por separado para cada conjunto de conexiones de la unidad interior.

1. Realice la prueba de fugas de todas las uniones de la tubería (interior y exterior) y de las válvulas de servicio de lado gas y lado líquido. Las burbujas indican una fuga. Asegúrese de limpiar el jabón con un paño limpio.
2. Después de que el sistema esté libre de fugas, reduzca la presión de nitrógeno aflojando el conector de la manguera de carga en el cilindro de nitrógeno. Cuando la presión del sistema se reduzca a normal, desconecte la manguera del cilindro.



Evacuación

1. Conecte el extremo de la manguera de carga como se describe en los pasos anteriores a la bomba de vacío para evacuar las tuberías y la unidad interior. Confirme que la perilla "Lo" de la válvula múltiple está abierta. A continuación, ponga en marcha la bomba de vacío.

El tiempo necesario para la evacuación varía en función de la longitud de las tuberías y de la capacidad de la bomba.

La bomba de vacío debe funcionar a menos de 0,8 toneladas de presión del manómetro.

2. Cuando se alcance el vacío deseado, cierre la perilla "Lo" de la válvula múltiple y detenga la bomba de vacío.

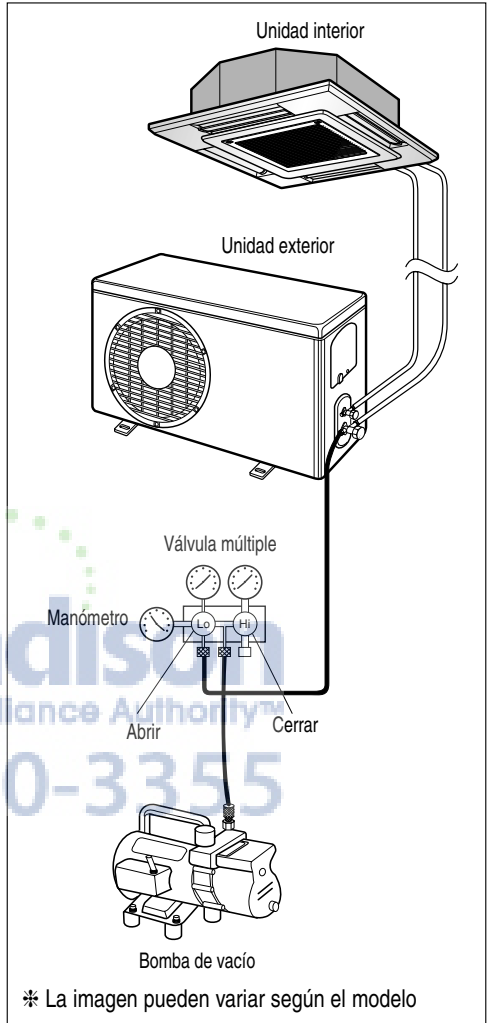
Finalización del trabajo

1. Con una llave de tuercas para la válvula de servicio, gire el vástago de la válvula de lado líquido en sentido contrario a las agujas del reloj para abrir completamente la válvula.
2. Gire el vástago de la válvula de lado gas en sentido contrario a las agujas del reloj para abrir completamente la válvula.
3. Afloje ligeramente la manguera de carga conectada al puerto de servicio del lado gas para liberar la presión y, a continuación, retire la manguera.
4. Sustituya la tuerca de unión y su tapa del puerto de servicio del lado gas y apriete firmemente la tuerca de unión con una llave de tuercas ajustable. Este proceso es muy importante para evitar fugas en el sistema.
5. Sustituya las tapas de las válvulas de servicio del lado gas y del lado líquido y apriételas con fuerza.

Esto completa la purga de agua con una bomba de vacío.

El aire acondicionado está ahora preparado para la prueba de funcionamiento.

AVISO : Repita el proceso de evacuación para cada unidad interior.



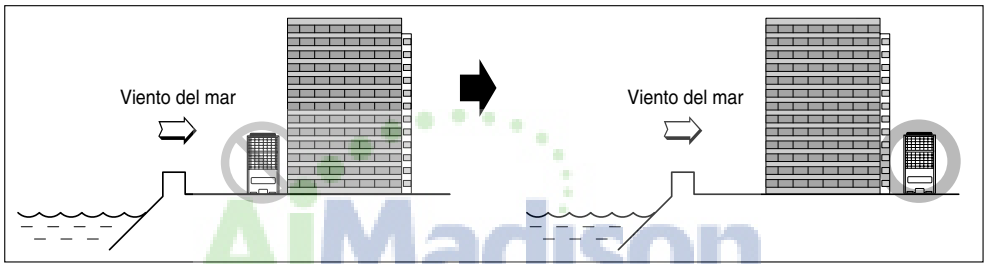
Guía de instalación junto al mar

⚠ PRECAUCIÓN

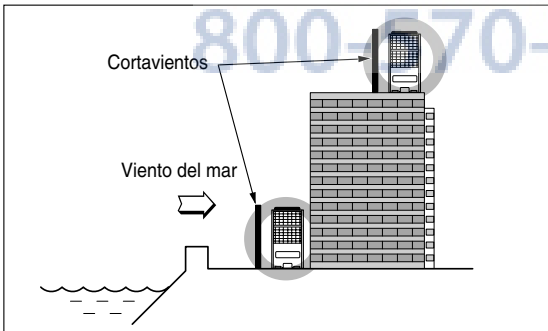
1. Los aparatos de aire acondicionado no deben instalarse en áreas donde se produzcan gases corrosivos, como los alcalinos o los ácidos.
2. No instale el aparato donde quede expuesto directamente al viento del mar (rocío salino). Puede producirse la corrosión en el producto. La corrosión, particularmente en las aletas del condensador y del evaporador, podría causar un funcionamiento defectuoso del aparato o un funcionamiento ineficaz.
3. Si la unidad exterior se instala cerca de la costa, debe evitarse la exposición directa al viento del mar. De lo contrario, se necesitará un tratamiento anticorrosión adicional en el intercambiador de calor.

Selección de la ubicación (Unidad exterior)

- 1) Si la unidad exterior se instala cerca de la costa, debe evitarse la exposición directa al viento del mar. Instale la unidad exterior en el lado contrario a la dirección del viento.



- 2) En el caso de que instale la unidad exterior en la costa, coloque un cortavientos para protegerlo del viento del mar.



- Debe ser lo suficientemente fuerte como el cemento para bloquear el viento del mar.
- El alto y el ancho deben superar el 150% de la unidad exterior.
- Debe mantenerse más de 70 cm entre la unidad exterior y el cortavientos para permitir la libre circulación de aire.

- 3) Seleccione un lugar bien dragado.

1. Si no puede cumplir las condiciones anteriores en la instalación marina, contacte con LG Electronics para un tratamiento adicional anticorrosión.
2. La limpieza periódica con agua (más de una vez al año) del polvo o las partículas de sal atascadas en la salida de calor

