



## Wine Storage Installation Guide



### Contents

- 3 Wine Storage
- 4 Opening Dimensions
- 5 Electrical
- 6 Plumbing
- 6 Preparation
- 6 Anti-Tip Bracket
- 8 Placement
- 8 Alignment
- 9 Water Line
- 10 Custom Panels
- 12 Panel Installation
- 14 Completion

Features and specifications are subject to change at any time without notice. Visit [subzero.com/specs](http://subzero.com/specs) for the most up-to-date information.

### Important Note

To ensure this product is installed and operated as safely and efficiently as possible, take note of the following types of highlighted information throughout this guide:

**IMPORTANT NOTE** highlights information that is especially important.

**CAUTION** indicates a situation where minor injury or product damage may occur if instructions are not followed.

**WARNING** states a hazard that may cause serious injury or death if precautions are not followed.

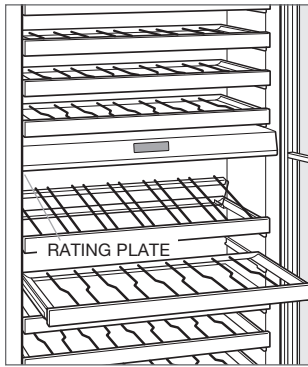
**IMPORTANT NOTE:** Throughout this guide, dimensions in parentheses are millimeters unless otherwise specified.

**IMPORTANT NOTE:** Save these instructions for the local electrical inspector.

### Product Information

Important product information including the model and serial number are listed on the product rating plate. The rating plate is located on the handle side wall, directly below the control panel. Refer to the illustration below.

If service is necessary, contact Sub-Zero factory certified service with the model and serial number. For the name of the nearest Sub-Zero factory certified service or for questions regarding the installation, visit the contact & support section of our website, [subzero.com](http://subzero.com) or call Sub-Zero customer care at 800-222-7820.



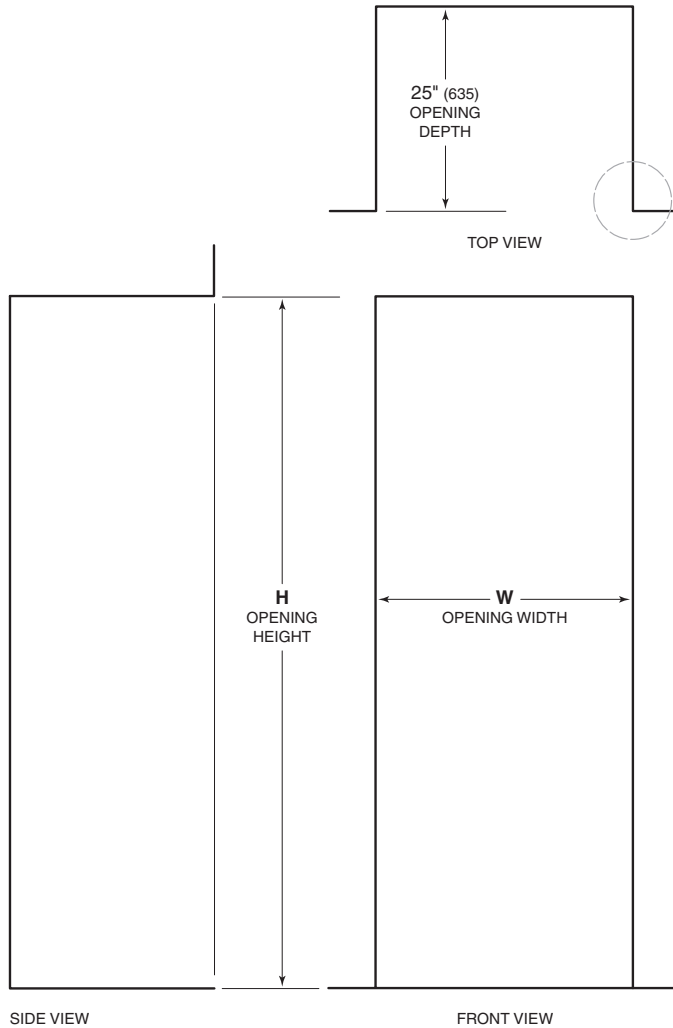
Rating plate location.

### Tools | Materials

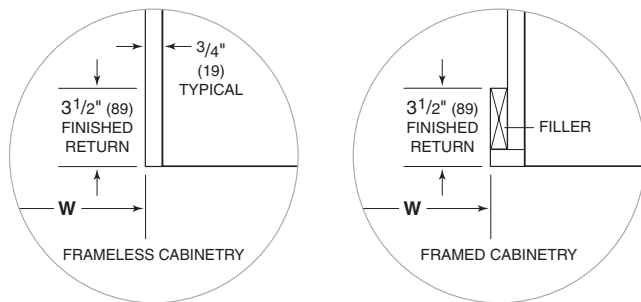
- Screwdrivers—standard, Phillips and Torx.
- Power drill.
- Drill bits (masonry bits required for concrete installation).
- Standard socket and wrench set.
- 2' and 4' levels.
- Tubing cutter.
- 3' (.9 m) of 1/4" OD copper, braided stainless steel or PEX tubing.
- Saddle valve.
- Material to protect home, flooring and cabinetry during installation.

## Opening Dimensions

### WINE STORAGE



NOTE: 3 1/2" (89) finished returns will be visible and should be finished to match cabinetry.



### OPENING DIMENSIONS

	W	H
18" Model	18" (457)	84" (2134)
24" Model	24" (610)	84" (2134)
30" Model	30" (762)	84" (2134)

The depth of each wine storage model is 24" (610). Allow for panel thickness when planning the finished opening depth. A minimum 3 1/2" (89) finished return is required on all sides of the opening. Framed cabinets will require additional finished filler material behind the face frame for a proper installation. Refer to the illustration.

### DUAL INSTALLATION

When installing two units side by side in a dual installation, the opening width is the width of the two units added together. A dual installation kit will be required for this installation. If a dual installation kit is not specified, a minimum 2" (51) filler strip is required between units.

Dual installation kits are available through an authorized Sub-Zero dealer. For local dealer information, visit the find a showroom section of our website, [subzero.com](http://subzero.com). For questions regarding the installation, call Sub-Zero customer care at 800-222-7820.

## Electrical

Installation must comply with all applicable electrical codes.

The electrical supply must be located within the shaded area shown in the illustration and chart below. A separate circuit, servicing only this appliance is required. A ground fault circuit interrupter (GFCI) is not recommended and may cause interruption of operation.

The electrical outlet must be positioned with the grounding prong to the right of the thinner blades.

### ⚠ CAUTION

The outlet must be checked by a qualified electrician to be sure that it is wired with the correct polarity. Verify that the outlet is properly grounded.

### ⚠ WARNING

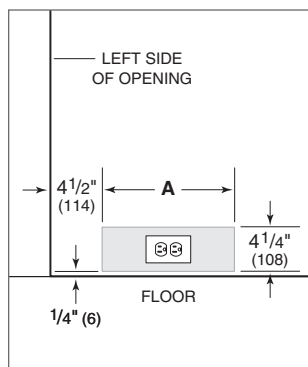
Do not use an extension cord, two-prong adapter or remove the power cord ground prong.

## ELECTRICAL REQUIREMENTS

Electrical Supply	115 VAC, 60 Hz
Service	15 amp
Receptacle	3-prong grounding-type

## ELECTRICAL SUPPLY LOCATION

	A
18" Model	6" (152)
24" Model	9 1/2" (241)
30" Model	12 1/2" (318)



Electrical supply location.

## HOME SECURITY CONNECTION

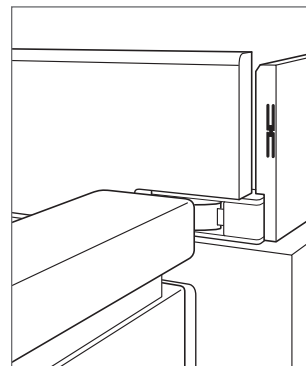
If the unit will be connected to a home security system, low-voltage leads must be provided to the unit. Two connectors are located behind the top trim. Provide 10' (3 m) minimum lead wires for each connector, exiting the back wall near the electrical receptacle.

Remove the top trim by disengaging the trim from the hinge side of the unit. Rotate the trim and remove the trim pin from the handle side vertical support. Refer to the illustrations below. Use spade terminals or wire nuts to make proper wiring connections. Refer to the following color codes:

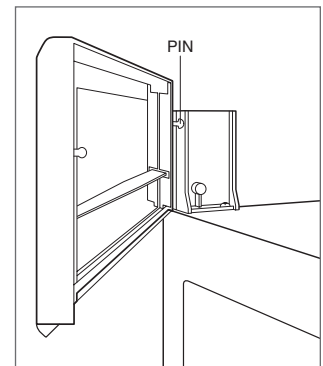
- Normally open contacts—white with red stripe wire.
- Common—gray with white stripe wire.

### ⚠ CAUTION

The alarm circuit in the unit is intended as a low-voltage, low-current device only. It should not be used to switch line power. Any unused terminals should be completely insulated and all wires should be secured away from conductive or moving components.



Top trim—hinge side.



Top trim—handle side.

## Plumbing

Installation must comply with all applicable plumbing codes.

For model IW-30CI, the water supply line should be located within the shaded area shown in the illustration below.

The water supply line should be connected to the house supply with an easily accessible shut-off valve. Do not use self-piercing valves. The water supply line must be flush to the floor and not interfere with installation of the anti-tip bracket.

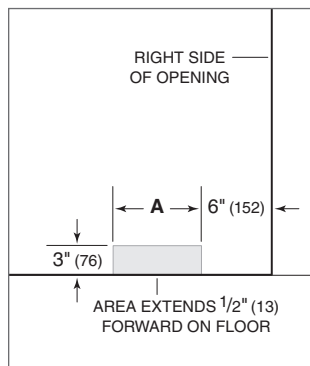
A reverse osmosis system can be used provided there is constant water pressure of 35–120 psi (2.4–8.3 bar) supplied to the unit at all times. In this application, the water filtration system must be bypassed. Refer to water filter bypass on page 15. A copper line is not recommended for this application.

### PLUMBING REQUIREMENTS

Water Supply Line	1/4" OD copper, braided stainless steel or PEX tubing
Water Pressure	35–120 psi (2.4–8.3 bar)
Excess Water Line for Connection	36" (914)

### WATER SUPPLY LOCATION

IW-30CI	6" (152)
---------	----------



Water supply location (IW-30CI).

## Preparation

Uncrate the unit and inspect for damage. Remove the wood base and discard shipping bolts and brackets. Remove and recycle packing materials. Do not discard the kickplate, anti-tip bracket and hardware.

Remove the kickplate by extracting the two mounting screws. Refer to the illustration below.

## Anti-Tip Bracket

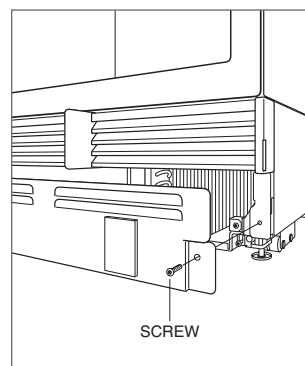
### ⚠ WARNING

To prevent the unit from tipping forward, the anti-tip bracket must be installed.

The back of the anti-tip bracket must be installed 24" (610) from the front of the unit (without panels). Use all anti-tip bracket hardware as instructed for wood or concrete floors.

**IMPORTANT NOTE:** For wood or concrete floor applications, if the #12 screws do not hit a wall stud or wall plate, use the #8 screws and #12 washers with the wall anchors.

**IMPORTANT NOTE:** In some installations the subflooring or finished floor may necessitate angling the screws used to fasten the anti-tip bracket to the back wall.



Kickplate removal.

## Anti-Tip Bracket

### WOOD FLOOR APPLICATION

After properly locating the anti-tip bracket in the opening, drill pilot holes  $\frac{3}{16}$ " (5) diameter maximum in the wall studs or wall plate. Use the #12 screws and washers to secure the brackets. Verify the screws penetrate through the flooring material and into wall studs or wall plate a minimum of  $\frac{3}{4}$ " (19). Refer to the illustration and chart below.

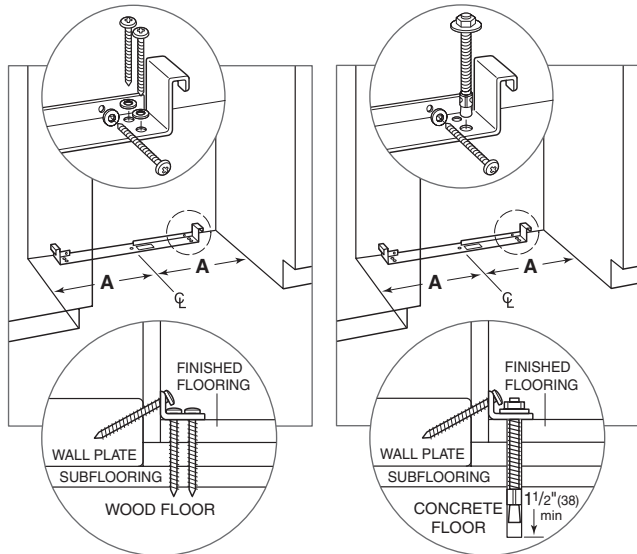
### CONCRETE FLOOR APPLICATION

After properly locating the anti-tip bracket in the opening, drill pilot holes  $\frac{3}{16}$ " (5) diameter maximum in the wall studs or wall plate. Drill  $\frac{3}{8}$ " (10) diameter holes into the concrete a minimum of  $1\frac{1}{2}$ " (38) deep. Use the #12 screws and washers to secure the brackets to the wall, and use the  $\frac{3}{8}$ " wedge anchors to secure the brackets to the floor. Verify the screws penetrate wall studs or wall plate a minimum of  $\frac{3}{4}$ " (19). Refer to the illustration and chart below.

### ANTI-TIP BRACKET PLACEMENT

A

18" Model	9" (229)
24" Model	12" (305)
30" Model	15" (381)



Wood floor.

Concrete floor.

### CONCRETE WEDGE ANCHOR INSTALLATION

- 1 Drill a  $\frac{3}{8}$ " (10) diameter hole any depth exceeding the minimum embedment. Clean the hole or drill additional depth to accommodate drill fines.
- 2 Assemble the washer and nut flush with the end of anchor to protect threads. Drive the anchor through the material to be fastened until the washer is flush with the surface material.
- 3 Expand the anchor by tightening the nut 3–5 turns past hand-tight position or to 25 foot-pounds of torque.

#### ⚠ WARNING

Verify there are no electrical wires or plumbing in the area which the screws could penetrate.

#### ⚠ CAUTION

Always wear safety glasses and use other necessary protective devices or apparel when installing or working with anchors.

Anchors are not recommended for use in lightweight masonry material such as block or brick, or for use in new concrete which has not had sufficient time to cure. The use of core drills is not recommended to drill holes for the anchors.

## Placement

### ⚠ CAUTION

Before moving the unit into position, secure the door | drawers closed and protect any finished flooring.

Use an appliance dolly to move the unit near the opening. The front leveling legs are extended below the front rollers to improve stability during placement. Once the unit is placed in front of the opening, completely retract the front leveling legs to allow the unit to be rolled into position. Front and rear leveling legs can be adjusted from the front once the unit is positioned.

If the unit has been on its back or side, it must stand upright for a minimum of 24 hours before connecting power.

Plug the power cord into the grounded outlet and roll the unit into position. Verify the anti-tip bracket is properly engaged.

## Alignment

### LEVELING

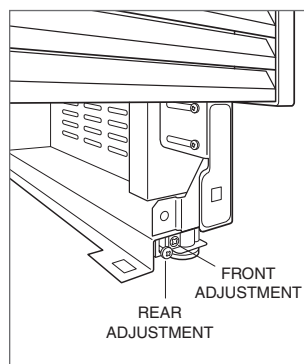
Once the unit is in position, height adjustment can be made from the front. Using a Phillips drive, turn clockwise to raise the unit or counterclockwise to lower. Use the lowest torque setting when using a power drill. Do not turn the leveling legs by hand. Refer to the illustration below.

When the unit is properly leveled, door | drawer adjustments are less likely to be necessary.

**IMPORTANT NOTE:** Level the unit to the floor, not surrounding cabinetry. This could affect the operation of the unit, such as door closing.

### ⚠ WARNING

To reduce the possibility of the unit tipping forward, the front leveling legs must be in contact with the floor.



Leveling.



## Alignment

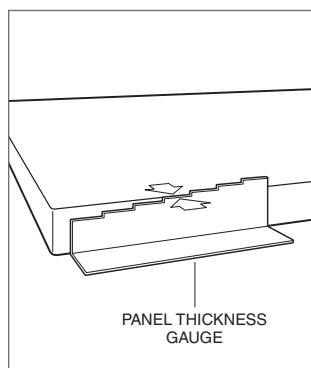
### DEPTH ADJUSTMENT

Adjust the depth of the unit to fit flush with surrounding cabinetry. Follow these steps for a precision fit:

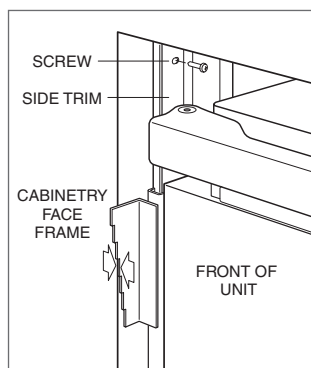
- 1 Place decorative panel on a protected work surface. Place the panel thickness gauge next to the panel to determine which notch corresponds with the panel thickness. Refer to the illustration below. Once the proper notch has been determined, mark that notch with a marker.
- 2 With the door closed, position the top of the unit using the panel thickness gauge. Refer to the illustration below. Insert a #8 x 1/2" stainless steel screw above the hinge, then insert a #8 x 1/2" pan head screw on the handle side of the unit. For narrower units, the door may need to be opened to access the handle side screw location. Repeat the process to align the bottom.

### ANCHORING

Once the top and bottom are aligned, verify the door | drawers open properly, then install remaining screws in each side trim.



Panel thickness.



Unit depth.

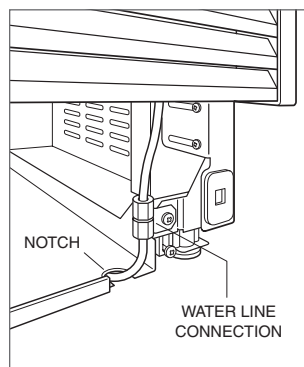
## Water Line

For model IW-30CI, approximately 3' (.9 m) of 1/4" plastic tubing is connected to the unit with a preassembled 1/4" compression connection under the unit. The water line fitting connection kit, provided with the unit, contains a 1/4" compression union fitting for connection to the household water line.

Purge the water line prior to final connection to the unit. This will remove any debris that may be present in the tubing from installing the new water line. Connect the plastic tubing from the unit to the house water supply line with the fitting connection kit provided. Locate the water line in the notch as shown in the illustration below. Check all water line fittings for leaks.

**IMPORTANT NOTE:** If a reverse osmosis system used, it is recommended that the water filtration system be bypassed by removing the filter.

**IMPORTANT NOTE:** Water lines can not be exposed to freezing temperatures.



Water line (IW-30CI).

## Custom Panels

Custom door | drawer panels and handle hardware must be installed. Stainless steel panels are available through an authorized Sub-Zero dealer. For local dealer information, visit the find a showroom section of our website, [subzero.com](http://subzero.com).

The thickness of the custom panel can vary. A minimum  $\frac{5}{8}$ " (16) thick panel is required, but the thickness can be increased provided it does not exceed the maximum panel weight indicated in the chart below. The depth of each model is 24" (610). Allow for panel thickness when planning the finished opening depth.

### PANEL REQUIREMENTS

WEIGHT PER PANEL	MAX
Door (column model)	35 lb (16 kg)
Door (tall model)	25 lb (11 kg)
Drawer	15 lb (7 kg)
PANEL THICKNESS	MIN
All Panels	$\frac{5}{8}$ " (16)

Reveals between panels can vary,  $\frac{1}{8}$ " (3) reveals are typical.

#### ⚠ CAUTION

When installing a panel thicker than 1" (25), the 90° stop may be required to prevent damage to the unit and adjacent cabinetry.

#### ⚠ CAUTION

As reveals between cabinetry and the unit decrease, severe finger pinching can occur while door is closing.

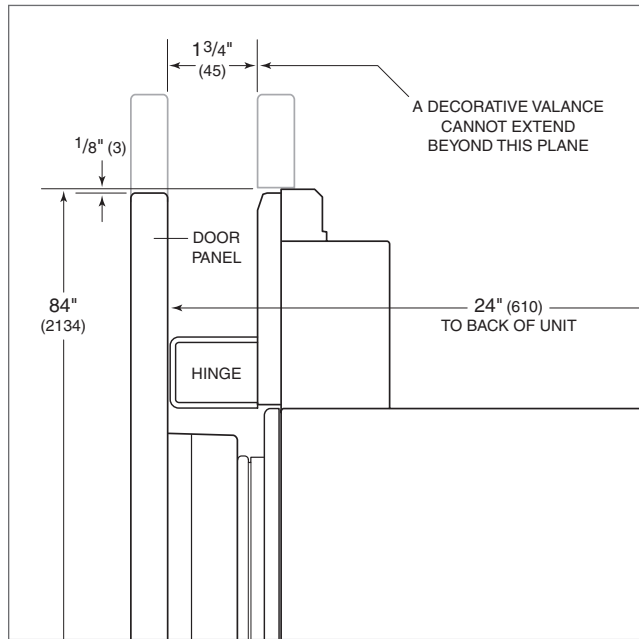
Finish all sides of custom panels. They will be visible when the door is open.

D-style handles are recommended. Stainless steel tubular and pro handles are available through an authorized Sub-Zero dealer. For local dealer information, visit the find a showroom section of our website, [subzero.com](http://subzero.com). Door handles must be located near the edge of the panel opposite the hinge and should be centered top to bottom. Drawer handles must be located near the top edge of each panel.

## Custom Panels

### DOOR PANEL HEIGHT

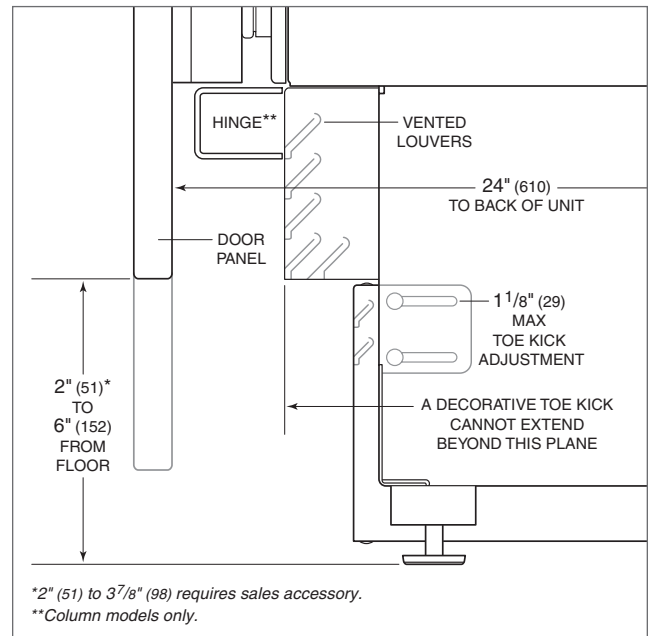
The height of the custom door panel can extend beyond the typical panel height, provided it does not exceed the weight limit. Refer to the illustration below.



Upper valance (side view).

### TOE KICK CLEARANCE

The height of the toe kick area can extend beyond the typical toe kick height, provided it does not exceed the dimensions in the illustration below. Toe kick heights from 2" (51) to 3 7/8" (98) require a reduced toe kick accessory available through an authorized Sub-Zero dealer. For local dealer information, visit the find a showroom section of our website, subzero.com. For questions regarding the installation, call Sub-Zero customer care at 800-222-7820.



\*2" (51) to 3 7/8" (98) requires sales accessory.  
 \*\*Column models only.

Toe kick (side view).

## Panel Installation

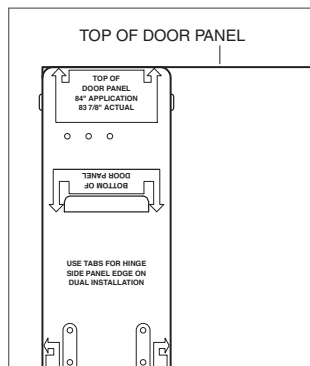
### DOOR PANEL

Typical panel dimensions are based on an 84" (2134) finished height with 1/8" (3) reveals. Template placement must be adjusted for panels exceeding typical dimensions.

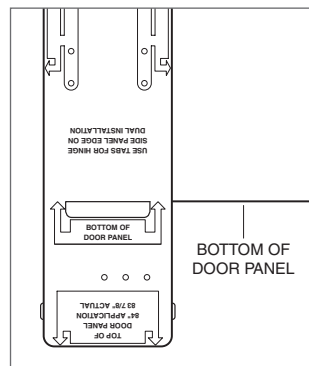
For tall models, the door panel should be installed first, followed by the upper then lower drawer panel.

Place the panel face down on a protected work surface. Position the template flush with the top and sides of the panel. Verify the correct side of the template is being used, then mark and drill holes. Refer to the illustration below.

For tall models, align the notch in the template with the bottom of the door panel, then mark and drill holes. Refer to the illustration below.



Door panel template—top.



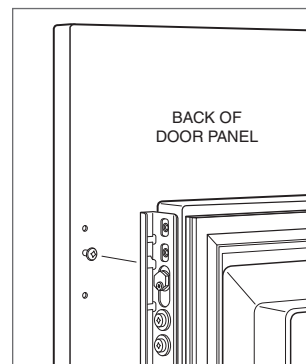
Door panel template—bottom (tall model).

Use the T-20 torx drive provided to partially insert a #8 x 1/2" screw into the second hole from the top on each side of the panel. The screws should be approximately 3/16" (4) proud of the panel and will support the weight of the panel during installation.

Align the support screws on the back of the panel with the slotted holes on both door mounting brackets. Opening the door slightly may help with alignment. Once the panel is supported by the screws, partially insert a #8 x 1/2" screw into the second hole from the bottom on each side of the panel, but do not tighten.

### ⚠ CAUTION

As the reveal between cabinets and the unit decreases, the potential exists for severe finger pinching if fingers are placed in the opening when the door is closing.



Door panel mounting.

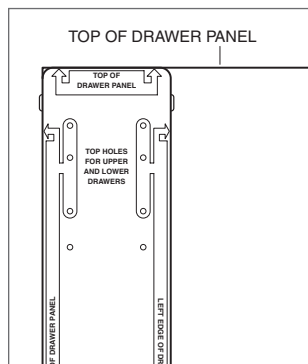
## Panel Installation

### DRAWER PANELS—TALL MODEL

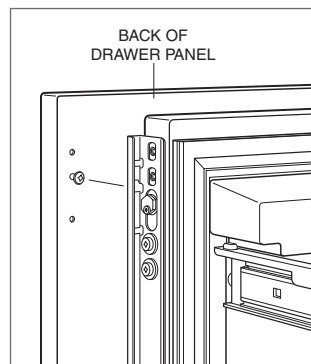
Place the panel face down on a protected work surface. Position the template flush with the top and sides of the panel. Verify the correct side of the template is being used, then mark and drill holes. Refer to the illustration below.

Use the T-20 torx drive provided, to partially insert a #8 x 1/2" screw into the second hole from the top on each side of the panel. The screws should be approximately 3/16" (4) proud of the panel and will support the weight of the panel during installation.

Align the support screws on the back of the panel with the slotted holes on both drawer mounting brackets. Refer to the illustration below. Opening the drawer slightly may help with alignment. Once the panel is supported by the screws, partially insert a #8 x 1/2" screw into the second hole from the bottom on each side of the panel, but do not tighten.



Drawer panel template—top.



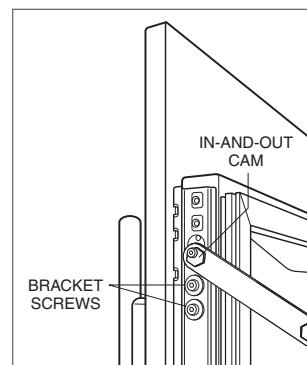
Drawer panel mounting.

### PANEL ADJUSTMENT

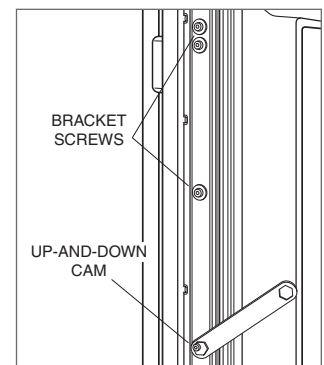
Close the door | drawers, now adjustments can be made to align panels and reveals.

For side-to-side adjustment, move panels side to side, then install and tighten all mounting screws.

For up-and-down and in-and-out adjustments, slightly loosen the bracket screws. Depending on the level of adjustment required, it may be helpful to loosen all of the bracket screws which will allow for maximum adjustment. Once the bracket screws are loosened, use the cam wrench provided to rotate the cams to make adjustments. After adjustments have been made, tighten all bracket screws. Refer to the illustrations below.



In-and-out adjustment.

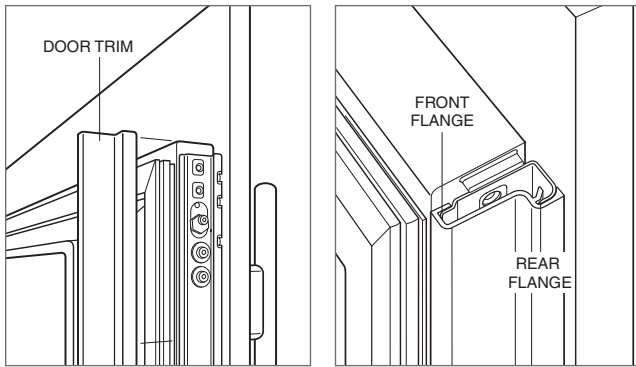


Up-and-down adjustment.

## Completion

### DOOR TRIM INSTALLATION

After panels have been adjusted, install the decorative side trim to the door|drawers. To install, start at the top and align the trim with the front and rear flanges on the bracket, then snap into place by pushing the trim toward the back of the panel. Once the top is secure, continue the installation downward until the remaining trim is completely secure. Refer to the illustrations below.

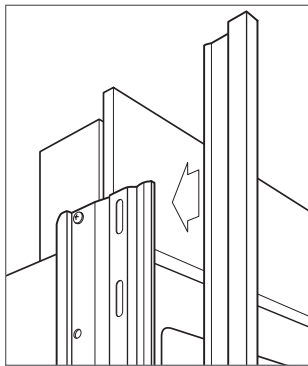


Door trim.

Bracket flanges.

### SIDE TRIM INSTALLATION

Install the decorative trim strip to the handle side of tall and column models. The side trim snaps over the bracket attached to the handle side of the unit. Refer to the illustration below.



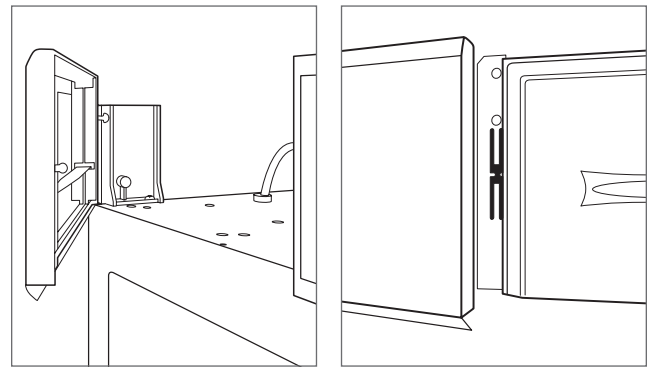
Side trim.

### TOP TRIM INSTALLATION

Identify the top trim strips by the notch on one end at the bottom; this trim strip fits on the hinge side of the unit.

Insert the outer end of each trim strip behind the vertical side trim. Engage the snap in the plastic side bracket and slide the panel as far to the outside as possible. Refer to the illustration below.

Rotate the inner end of each panel into the side flange of the center shroud, next to the water filter access door. Press on the trim strip to snap into place. Refer to the illustration below.



Inner top trim.

Outer top trim.

## Completion

### KICKPLATE INSTALLATION

Position the kickplate and install using the two mounting screws. Refer to the illustration below. Kickplate must be removable for service. The floor cannot interfere with removal.

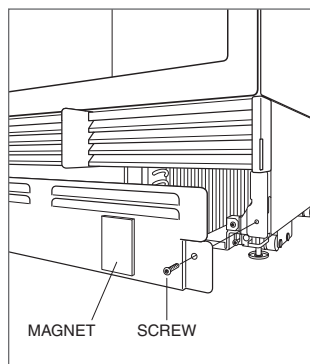
A maximum 6" (152) decorative kickplate can be attached to the factory-installed kickplate. The two rows of vented louvers can be covered if door panel is a minimum 4" (102) from finished floor.

To install a decorative kickplate, remove paper backing from the magnets and attach decorative kickplate to magnets. Magnets will allow the decorative kickplate to be removed, if necessary.

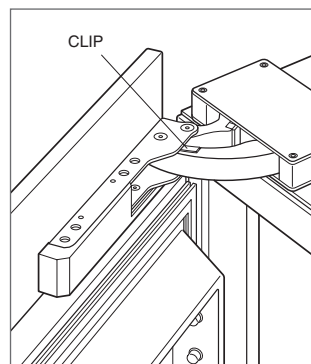
Turn power on by touching 'power' on the control panel.

### 90° DOOR STOP

A 105° door stop is built into the hinges. To limit the door to 90°, open the door slightly less than 90°, then use a standard screwdriver blade to remove the existing clips from each hinge. Locate the 90° clips from inside the plastic bag containing product literature, then insert the 90° clips onto each hinge. Refer to the illustration below.



Kickplate installation.



90° door stop.

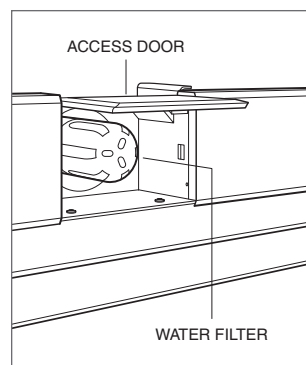
### WATER FILTER BYPASS

If the water filtration system will not be utilized, it can be placed in water filter bypass mode by removing the water filter. Follow these steps to remove the water filter:

- 1 Pull out on the bottom edge of the access door and tilt upward.
- 2 To remove the filter, rotate counterclockwise one-quarter turn, then pull out. Refer to the illustration below.

#### ⚠ WARNING

Follow all city and state laws when storing, recycling or discarding unused refrigerators and freezers.



Water filter removal (IW-30CI).

### Contenido

- 3 Almacenamiento de vinos
- 4 Dimensiones de abertura
- 5 Instalación eléctrica
- 6 Plomería
- 6 Preparación
- 6 Soporte antivuelco
- 8 Colocación en posición
- 8 Alineación
- 9 Línea de agua
- 10 Paneles personalizados
- 12 Instalación del panel
- 14 Finalización

Las características y especificaciones están sujetas a cambios sin previo aviso. Visite [subzero.com/specs](http://subzero.com/specs) para obtener la información más actualizada.

### Aviso importante

Para garantizar que este producto se instale y opere de la forma más segura y eficiente posible, tome nota de los siguientes tipos de información resaltada en esta guía:

**AVISO IMPORTANTE** señala la información que es especialmente importante.

**PRECAUCIÓN** indica una situación en la que se pueden sufrir heridas leves o provocar daños al producto si no se siguen las instrucciones.

**ADVERTENCIA** indica peligro de que se produzcan heridas graves o incluso la muerte si no se siguen las precauciones.

**AVISO IMPORTANTE:** En toda esta guía, las dimensiones entre paréntesis son milímetros, a menos que se especifique lo contrario.

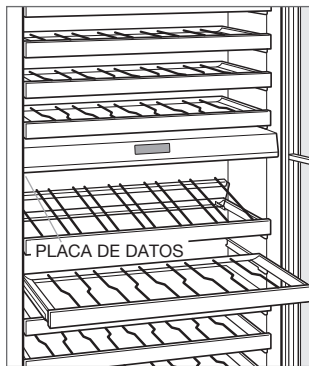
**AVISO IMPORTANTE:** Guarde estas instrucciones para el inspector eléctrico local.



### Información del producto

La información importante del producto, incluido el modelo y número de serie de la unidad, se encuentra en la placa de datos del producto. La placa de datos se encuentra en la parte de abajo del panel de control, a la izquierda. Consulte la siguiente ilustración.

Si necesita servicio, póngase en contacto con el centro de servicio autorizado de Sub-Zero y tenga a la mano el modelo y número de serie de la unidad. Para obtener los datos del centro de servicio autorizado de Sub-Zero más cercano o si tiene preguntas acerca de la instalación, visite la sección de contacto y soporte técnico en nuestra página de Internet [subzero.com](http://subzero.com) o llame a la línea de atención al cliente de Sub-Zero al 800-222-7820.



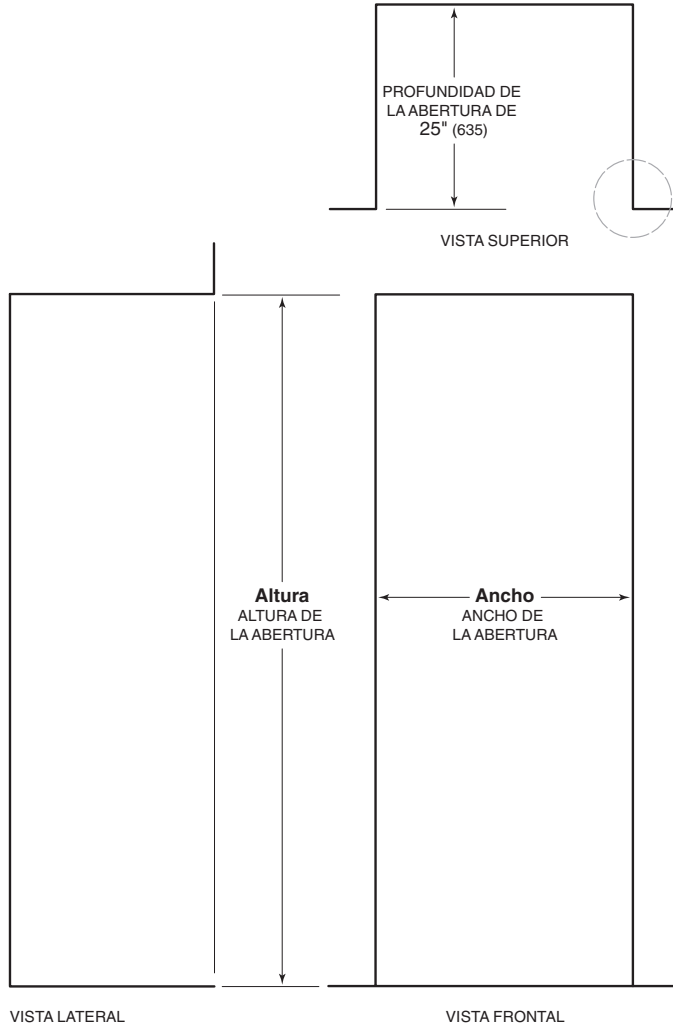
Ubicación de la placa de datos.

### Herramientas y materiales

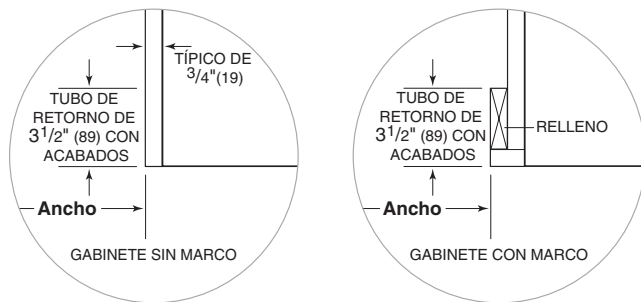
- Destornilladores: estándar, Phillips y Torx.
- Taladro eléctrico.
- Brocas (se requieren brocas de mampostería para instalación en concreto).
- Juego de llaves estándar y de vaso.
- Niveles 2' y 4'.
- Cortador de tubos.
- 3' (0.9 m) de tubería de cobre, trenzada de acero inoxidable o PEX de 1/4" de diámetro exterior.
- Válvula de asiento.
- Material para proteger la casa, el piso y los gabinetes durante la instalación.

## Dimensiones de abertura

### ALMACENAMIENTO DE VINOS



NOTA: Los tubos de retorno de 3 1/2" (89) con acabados quedarán a la vista y deben estar listos para ajustarse a los gabinetes.



### DIMENSIONES DE ABERTURA

	Ancho	Altura
Modelo de 18"	18" (457)	84" (2134)
Modelo de 24"	24" (610)	84" (2134)
Modelo de 30"	30" (762)	84" (2134)

La profundidad de cada modelo de almacén de vinos es 24" (610). Para determinar la profundidad de la abertura ya con acabados, considere el grosor del panel. Se necesita un tubo de retorno de 3 1/2" (89) con acabados en todos los lados de la abertura. Los gabinetes con marco necesitarán material de relleno de acabado detrás del marco frontal para lograr una instalación adecuada. Consulte la ilustración.

### INSTALACIÓN DOBLE

Al colocar dos unidades juntas en una instalación doble, el ancho de la abertura es la suma del ancho de ambas unidades. Para esta instalación se requiere un kit de instalación doble. Si el uso de un kit de instalación doble no está especificado, se debe utilizar una tira de relleno de 2" (51) como mínimo entre las unidades.

Los kits de instalación doble están disponibles a través de un distribuidor autorizado de Sub-Zero. Para obtener más información acerca de los distribuidores locales, visite la sección para encontrar una sala de exhibición de nuestro sitio web, [subzero.com](http://subzero.com). Para preguntas sobre la instalación, comuníquese con la línea de atención al cliente de Sub-Zero al 800-222-7820.

## Instalación eléctrica

La instalación debe cumplir con todos los códigos eléctricos vigentes. El suministro eléctrico debe colocarse dentro del área sombreada que se muestra en la siguiente ilustración. Es necesario un circuito independiente que dé servicio únicamente a este aparato. No es recomendable utilizar un circuito de fallos de conexión a tierra (GFCI, por sus siglas en inglés) ya que puede interrumpir el funcionamiento de la unidad. El tomacorriente eléctrico debe colocarse de tal forma que la clavija con conexión a tierra quede a la derecha de las aspas más delgadas.

### ⚠ PRECAUCIÓN

Un electricista calificado debe revisar el tomacorriente para asegurarse de que la conexión se haya realizado con la polaridad correcta. Verifique que el tomacorriente esté debidamente conectado a tierra.

### ⚠ ADVERTENCIA

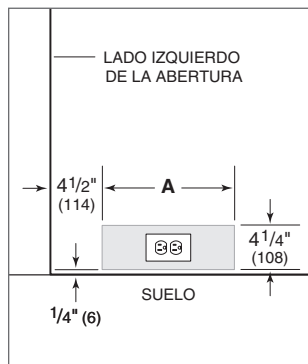
No utilice un cable de extensión, adaptador de dos clavijas ni retire la clavija con conexión a tierra del cable de alimentación.

### REQUISITOS ELÉCTRICOS

Suministro eléctrico	115 V CA, 60 Hz
Servicio	15 amperes
Receptáculo	Conexión a tierra de 3 clavijas

### UBICACIÓN DEL SUMINISTRO ELÉCTRICO A

Modelo de 18"	6" (152)
Modelo de 24"	9 1/2" (241)
Modelo de 30"	12 1/2" (318)



Ubicación del suministro eléctrico.

### CONEXIÓN A LÍNEAS DE SEGURIDAD DEL HOGAR

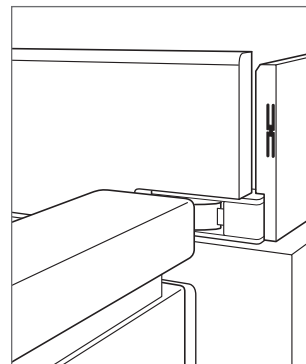
Si la unidad se conecta a un sistema de seguridad de la casa, se deben proporcionar cables de bajo voltaje para la unidad. Hay dos conectores ubicados detrás del ribete superior. Proporcione cables de 10' (3 m) como mínimo para cada conector, que salen de la pared posterior cerca del tomacorriente eléctrico.

Retire el ribete superior al desengancharlo del lado de la bisagra de la unidad. Gire el ribete y retire el pasador del ribete del soporte vertical del lado de la manija. Consulte las siguientes ilustraciones. Use las terminales tipo espada o tuercas para cable para efectuar las conexiones de manera correcta. Aplique los siguientes códigos de colores:

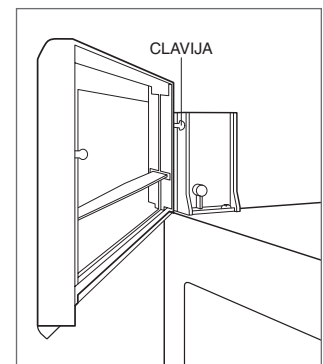
- Contactos normalmente abiertos — cable blanco con línea roja.
- Común — cable gris con línea blanca.

### ⚠ PRECAUCIÓN

El circuito de la alarma de la unidad debe utilizarse solamente como un dispositivo de bajo voltaje y baja corriente. No debe usarse como interruptor de la línea de energía. Cualquier terminal que no se utilice debe estar completamente aislada y todos los cables deben estar alejados de manera segura de componentes conductores o móviles.



Ribete superior—lado de la bisagra.



Ribete superior—lado de la manija.

### Plomería

La instalación debe cumplir con todos los códigos de plomería vigentes. Para el modelo IW-30CI, la tubería de suministro de agua debe colocarse dentro del área sombreada que se muestra en la siguiente ilustración. La línea del suministro de agua debe conectarse al suministro doméstico con una válvula de cierre de fácil acceso. Evite utilizar válvulas autopercutoras. La línea de suministro de agua no debe sobresalir del nivel de piso ni interferir en la instalación del soporte antivuelco.

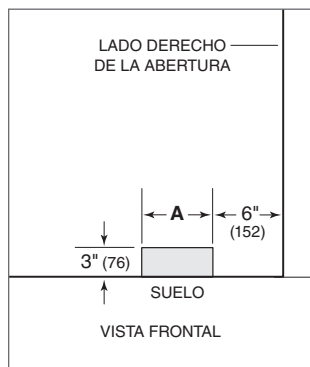
Se puede utilizar un sistema de ósmosis inversa siempre y cuando la presión del agua que llegue a la unidad se mantenga de forma constante entre 35 y 120 psi (de 2.4 a 8.3 bares) en todo momento. En esta aplicación, se debe desviar el sistema de filtrado de agua. Consulte la desviación del filtro de agua en la página 15. No es recomendable utilizar una línea de cobre para esta aplicación.

#### REQUISITOS DE PLOMERÍA

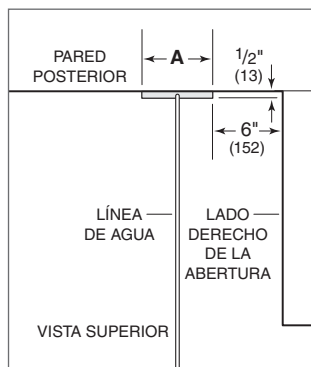
Línea de suministro de agua	Tubería de cobre, trenzada de acero inoxidable o PEX de 1/4" de diámetro exterior.
Presión del agua	De 35 a 120 psi (de 2.4 a 8.3 bares)
Línea de exceso de agua para la conexión	36" (914)

#### UBICACIÓN DEL SUMINISTRO DE AGUA

IW-30CI	6" (152)
---------	----------



Ubicación del suministro de agua (parte posterior).



Ubicación del suministro de agua (parte inferior).

### Preparación

Desembale la unidad e inspeccione si tiene algún daño. Retire la base de madera y deseche los pernos y soportes de transporte. Retire y recicle los materiales de embalaje. No deseche el zócalo, el soporte antivuelco ni las piezas de montaje.

Para quitar el zócalo extraiga los dos tornillos para montaje. Consulte la siguiente ilustración.

### Soporte antivuelco

#### ⚠ ADVERTENCIA

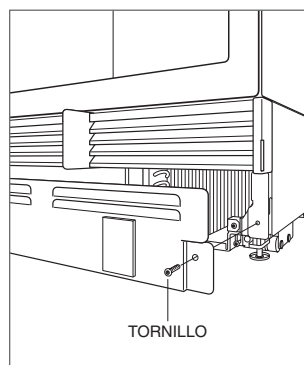
Para evitar que la unidad se vuelque hacia el frente, debe instalarse el soporte antivuelco.

La parte posterior del soporte antivuelco debe instalarse a 24" (610) del frente de la unidad (sin paneles).

Utilice todas las piezas de montaje de los soportes antivuelco de acuerdo con las instrucciones para suelos de madera o de concreto.

**AVISO IMPORTANTE:** Para aplicaciones en suelo de madera o de concreto, si los tornillos del #12 no alcanzan un travesaño o la placa de pared, utilice tornillos del #8 y arandelas del #12 con los anclajes de pared.

**AVISO IMPORTANTE:** En algunas instalaciones el contrapiso o el suelo terminado pueden necesitar inclinar los tornillos utilizados para sujetar el soporte antivuelco a la pared del fondo.



Extracción del zócalo.

## Soporte antivuelco

### APLICACIÓN EN SUELO DE MADERA

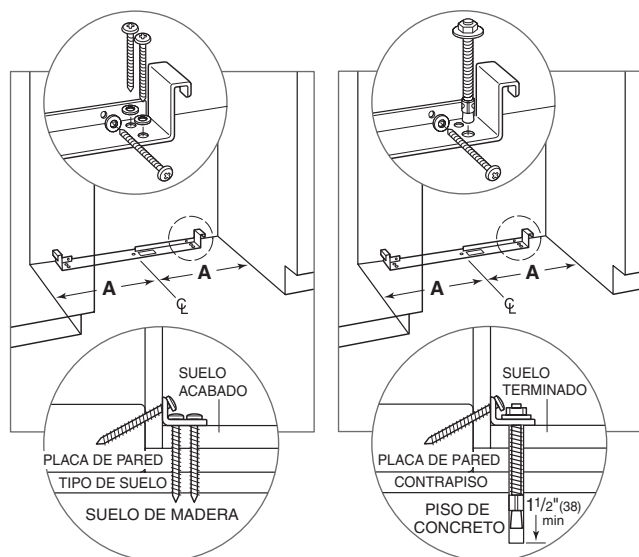
Después de ubicar apropiadamente el soporte antivuelco en la abertura, taladre los orificios guía con un diámetro máximo de  $\frac{3}{16}$ " (5) en los travesaños o en la placa de la pared. Utilice los tornillos #12 y las arandelas para sujetar los soportes. Compruebe que los tornillos penetren a través de los travesaños o la placa de la pared como mínimo  $\frac{3}{4}$ " (19). Consulte la ilustración y la tabla siguientes.

### APLICACIÓN EN PISO DE CONCRETO

Después de ubicar apropiadamente el soporte antivuelco en la abertura, taladre los orificios guía con un diámetro máximo de  $\frac{3}{16}$ " (5) en los travesaños o en la placa de la pared. Taladre orificios con un diámetro de  $\frac{3}{8}$ " (10) en el concreto con una profundidad de  $1\frac{1}{2}$ " (38) como mínimo. Utilice los tornillos #12 y las arandelas para sujetar los soportes a la pared, y utilice las anclas de cuña de  $\frac{3}{8}$ " para sujetar los soportes al suelo. Compruebe que los tornillos penetren a través de los travesaños o la placa de la pared como mínimo  $\frac{3}{4}$ " (19). Consulte la ilustración y la tabla siguientes.

### COLOCACIÓN DEL SOPORTE ANTIVUELCO

	A
Modelo de 18"	9" (229)
Modelo de 24"	12" (305)
Modelo de 30"	15" (318)



Suelo de madera.

Piso de concreto.

### INSTALACIÓN DE LAS ANCLAS DE CUÑA PARA CONCRETO

- 1 Haga un orificio de  $\frac{3}{8}$ " (10) de diámetro con una profundidad superior al empotrado mínimo. Limpie el orificio o continúe taladrando para hacer el orificio más profundo y que quepan los residuos en él.
- 2 Coloque la arandela y la tuerca al ras del extremo del ancla para proteger las roscas. Inserte el ancla a través del material que va a fijar hasta que la arandela quede al ras del material de la superficie.
- 3 Para expandir el ancla gire la tuerca de 3 a 5 vueltas para ajustarla hasta que quede bien apretada o a 25 libras-pie de torsión.

#### ⚠ ADVERTENCIA

Verifique que no haya cables eléctricos o tuberías en la zona donde va a introducir los tornillos.

#### ⚠ PRECAUCIÓN

Utilice siempre gafas de seguridad y otros dispositivos o prendas de protección que sean necesarios al instalar o trabajar con anclas.

No se recomienda el uso de anclas en material de mampostería poco pesado, como son los bloques o ladrillos; tampoco se recomienda utilizarlos en concreto fresco que no haya tenido tiempo suficiente para curar. No se recomienda el uso de brocas huecas para hacer los orificios para el ancla.

## Colocación

### ▲ PRECAUCIÓN

Antes de mover la unidad a su posición, asegúrese de que las puertas y los cajones estén cerrados y proteja el suelo con acabado.

Utilice una plataforma rodante para mover la unidad cerca de la abertura. Las patas niveladoras delanteras se extienden por debajo de las ruedas delanteras para mejorar la estabilidad durante la colocación. Una vez que la unidad está colocada al frente de la abertura, retraiga completamente las patas niveladoras delanteras para poder deslizar la unidad a su sitio. Las patas niveladoras delanteras y traseras se pueden ajustar desde el frente de la unidad una vez que la misma está en su posición.

Si la unidad ha estado o está acostada o de lado, debe ponerla de pie y dejarla así durante un mínimo de 24 horas antes de conectarla al suministro eléctrico.

Conecte el cable de alimentación a la conexión a tierra y coloque la unidad en su sitio. Compruebe que el soporte antivuelco esté bien enganchado.

## Alineación

### NIVELACIÓN

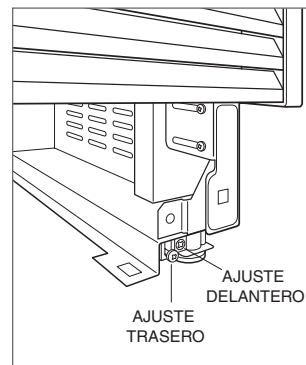
Una vez que la unidad está en posición, el ajuste de la altura se puede realizar desde la parte delantera. Con un destornillador Phillips, gire en sentido de las manecillas del reloj para levantar la unidad o en sentido opuesto de las manecillas del reloj para bajarla. Utilice la velocidad más baja para el par de torsión cuando utilice un taladro eléctrico. No ajuste las patas niveladoras con la mano. Consulte la siguiente ilustración.

Cuando la unidad está bien nivelada, no es tan necesario ajustar las puertas y los cajones.

**AVISO IMPORTANTE:** Nivele la unidad con el suelo, no con los gabinetes que la rodean. Esto podría afectar el funcionamiento de la unidad, por ejemplo el cerrado de la puerta.

### ▲ ADVERTENCIA

Para reducir la posibilidad de que la unidad se vuelque hacia adelante, las patas niveladoras delanteras deben estar en contacto con el suelo.



Nivelación.

## Alineación

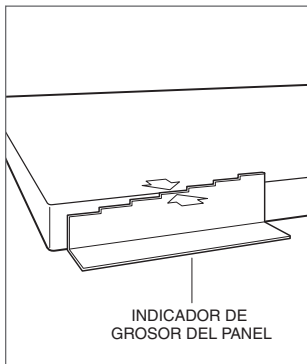
### AJUSTE DE LA PROFUNDIDAD

Ajuste la profundidad de la unidad para que quede a ras con los gabinetes que la rodean. Para un ajuste de precisión siga estos pasos:

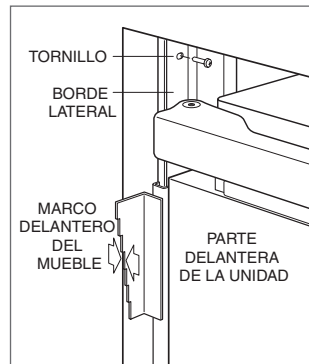
- 1 Coloque el panel decorativo sobre una superficie de trabajo protegida. Coloque el calibrador del grosor del panel al lado del panel para determinar qué muesca le corresponde al grosor del panel. Consulte la siguiente ilustración. Una vez que haya determinado cuál es la muesca adecuada, marque esa muesca con un marcador.
- 2 Con la puerta cerrada, coloque la parte superior de la unidad con el calibrador del grosor del panel. Consulte la siguiente ilustración. Inserte un tornillo de acero inoxidable #8 x 1/2" arriba de la bisagra, a continuación inserte un tornillo de cabeza plana #8 x 1/2" en el lado de la manija de la unidad. Para las unidades más estrechas, es posible que necesite abrir la puerta para acceder al lugar donde se encuentran ubicados los tornillos del lado de la manija. Repita el proceso para alinear la parte inferior.

### ANCLAJE

Una vez que las partes superior e inferior están alineadas, compruebe que las puertas y los cajones abren apropiadamente, a continuación instale los tornillos restantes en cada ribete lateral.



Grosor del panel.



Profundidad de la unidad.

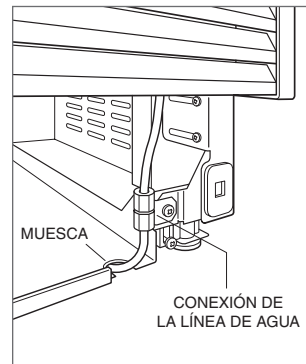
## Línea de agua

Para el modelo IW-30CI, debe conectar un tubo de plástico de unos 3' (.9 m) de 1/4" a la unidad con una conexión de compresión de 1/4" previamente ensamblada debajo de la unidad. El kit para instalar la conexión de la tubería de agua, que viene con la unidad, contiene un accesorio para unión de compresión de 1/4" (6) para conectarlo a la toma de agua doméstica.

Purgue la línea de agua antes de hacer la conexión final a la unidad. Esto eliminará cualquier residuo que pueda haber quedado en la tubería al instalar la nueva línea de agua. Conecte el tubo de plástico de la unidad al suministro de agua doméstico con el kit de instalación de la conexión que viene con la unidad. Coloque la línea de agua en la muesca como se muestra en la ilustración de abajo. Revise todos los accesorios de la línea de agua para detectar fugas.

**AVISO IMPORTANTE:** Si utiliza un sistema de ósmosis inversa, se recomienda desviar el sistema de filtración de agua mediante la extracción del filtro.

**AVISO IMPORTANTE:** Las líneas de agua no pueden quedar expuestas a temperaturas de congelación.



Línea de agua (IW-30CI).

## Paneles personalizados

Deben instalarse paneles de puertas y cajones personalizados, y herrajes de manijas. Están disponibles paneles de acero inoxidable con los distribuidores autorizados Sub-Zero. Para obtener más información acerca de los distribuidores locales, visite la sección para encontrar una sala de exhibición de nuestro sitio web, subzero.com.

Puede variar el grosor del panel personalizado. Se requiere un panel con un grosor mínimo de 5/8" (16), pero puede aumentarse siempre y cuando no exceda el máximo peso del panel que indica la tabla siguiente. La profundidad de cada modelo es 24" (610). Para determinar la profundidad de la abertura ya con acabados, considere el grosor del panel.

### REQUISITOS DEL PANEL

PESO DEL PANEL	MAX
Puerta (modelo de columna)	35 lb (16 kg)
Puerta (modelo alto)	25 lb (11 kg)
Cajón	15 lb (7 kg)
GROSOR DEL PANEL	MIN
Todos los paneles	5/8" (16)

Los márgenes entre paneles pueden variar; márgenes de 1/8" (3) son típicos.

#### ⚠ PRECAUCIÓN

Al instalar un panel de espesor mayor a 1" (25), puede ser necesario instalar un tope a 90° para evitar daños a la unidad y los gabinetes adyacentes.

#### ⚠ PRECAUCIÓN

Mientras más disminuyan los márgenes entre los gabinetes y la unidad, al cerrarse la puerta se pueden pellizcar fuertemente los dedos.

Asegúrese de que todos los lados de los paneles personalizados tengan un buen acabado. Estos serán visibles con la puerta abierta.

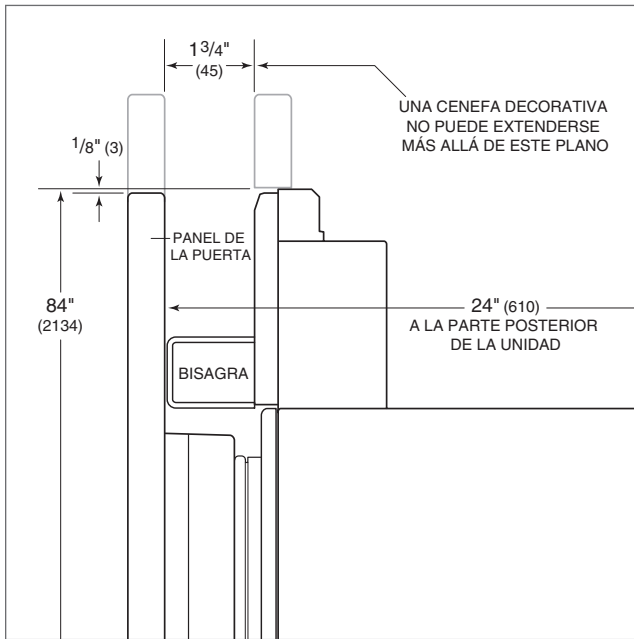
Se recomiendan manijas estilo D. Están disponibles manijas tubulares y pro de acero inoxidable con los distribuidores autorizados Sub-Zero. Para obtener más información acerca de los distribuidores locales, visite la sección para encontrar una sala de exhibición de nuestro sitio web, subzero.com. Las manijas de las puertas deben colocarse cerca del borde del panel opuesto a la bisagra y deben centrarse entre los extremos superior e inferior. Las manijas de los cajones deben colocarse cerca del borde superior de cada panel.



## Paneles personalizados

### ALTURA DEL PANEL DE LA PUERTA

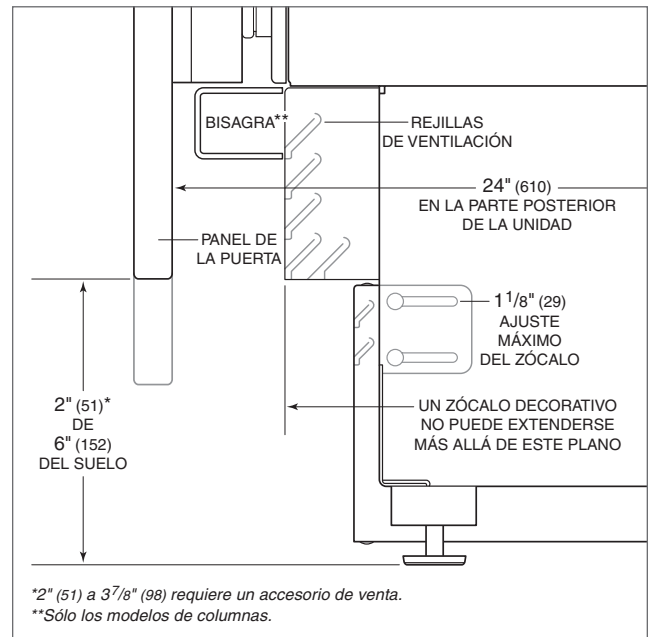
La altura del panel personalizado de la puerta puede ser mayor a su altura típica, siempre y cuando no se exceda el límite de peso. Consulte la siguiente ilustración.



Cenefa superior (vista lateral).

### ESPACIO DEL ZÓCALO

La altura de la zona del zócalo puede ser mayor que la altura típica, siempre y cuando no se excedan las dimensiones de la ilustración siguiente. Los zócalos de 2" (51) a 3 7/8" (98) de altura necesitan un accesorio reducido que se puede obtener a través de un distribuidor autorizado de Sub-Zero. Para obtener más información acerca de los distribuidores locales, visite la sección para encontrar una sala de exhibición de nuestro sitio web, [subzero.com](http://subzero.com). Para preguntas sobre la instalación, comuníquese con la línea de atención al cliente de Sub-Zero al 800-222-7820.



Zócalo (vista lateral).

\*2" (51) a 3 7/8" (98) requiere un accesorio de venta.  
\*\*Sólo los modelos de columnas.

## Instalación de los paneles

### PANEL DE LA PUERTA

Las dimensiones típicas del panel están basadas en una altura terminada de 84" (2134) con márgenes de 1/8" (3). La colocación de la plantilla se debe ajustar para paneles que exceden las dimensiones típicas.

Para el modelo alto, primero se debe instalar el panel de la puerta, seguido por el panel del cajón superior y luego el inferior.

Coloque el panel boca abajo sobre una superficie de trabajo protegida. Coloque la plantilla a ras con la parte superior y los lados del panel. Compruebe que está usando el lado correcto de la plantilla, luego marque y taladre los orificios. Consulte la siguiente ilustración.

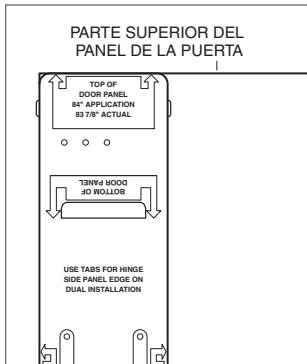
Para el modelo alto, alinee la muesca de la plantilla con la parte inferior del panel de la puerta, luego marque y taladre los orificios. Consulte la siguiente ilustración.

Utilice el destornillador torx T-20 proporcionado para insertar parcialmente un tornillo #8 x 1/2" en el segundo orificio desde la parte superior en cada lado del panel. Los tornillos deben sobresalir aproximadamente 3/16" (4) del panel y soportar el peso del panel durante la instalación.

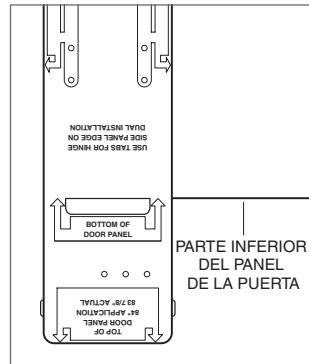
Alinee los tornillos de soporte en la parte posterior del panel con los agujeros ranurados en los dos soportes de montaje de la puerta. Abrir la puerta un poco puede ayudar con la alineación. Una vez que el panel esté soportado por los tornillos, inserte parcialmente un tornillo #8 x 1/2" en el segundo orificio desde la parte inferior en cada lado del panel, pero no lo apriete.

#### ⚠ PRECAUCIÓN

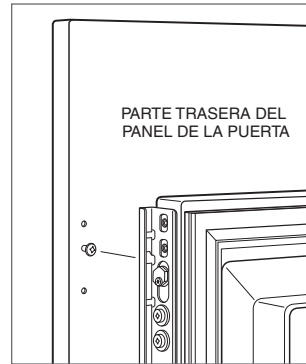
A medida que el margen entre los gabinetes y la unidad disminuye, al cerrarse la puerta se puede pellizcar fuertemente los dedos.



Plantilla del panel de la puerta —parte superior



Plantilla del panel de la puerta —parte inferior (modelo alto).



Montaje del panel de la puerta.

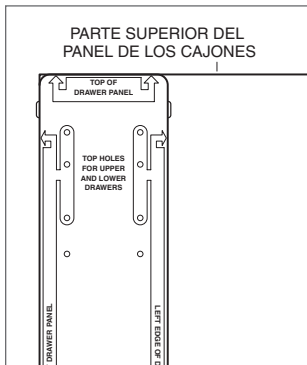
## Instalación de los paneles

### PANELES DE LOS CAJONES—MODELO ALTO

Coloque el panel boca abajo sobre una superficie de trabajo protegida. Coloque la plantilla a ras con la parte superior y los lados del panel. Compruebe que está usando el lado correcto de la plantilla, luego marque y taladre los orificios. Consulte la siguiente ilustración.

Utilice el destornillador torx T-20 proporcionado, para insertar parcialmente un tornillo #8 x 1/2" en el segundo orificio desde la parte superior en cada lado del panel. Los tornillos deben sobresalir aproximadamente 3/16" (4) del panel y soportar el peso del panel durante la instalación.

Alinee los tornillos de soporte en la parte posterior del panel con los agujeros ranurados en los dos soportes de montaje del cajón. Consulte la siguiente ilustración. Abrir un poco el cajón puede ayudar con la alineación. Una vez que el panel esté soportado por los tornillos, inserte parcialmente un tornillo #8 x 1/2" en el segundo orificio desde la parte inferior en cada lado del panel, pero no lo apriete.



Plantilla del panel del cajón— parte superior



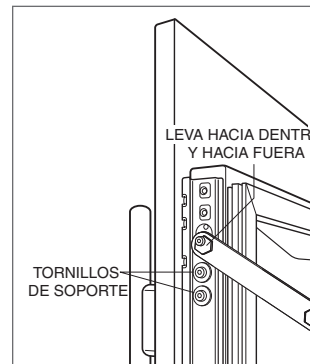
Montaje del panel del cajón.

### AJUSTE DE LOS PANELES

Cierre la puerta y los cajones, ahora puede realizar los ajustes necesarios para alinear los paneles y los márgenes.

Para el ajuste de lado a lado, mueva los paneles laterales de lado a lado, luego instale y apriete todos los tornillos de montaje.

Para los ajustes de arriba y hacia abajo, y hacia adentro y hacia afuera, afloje un poco los tornillos del soporte. Dependiendo del nivel de ajuste requerido, puede ser útil aflojar todos los tornillos del soporte lo que permitirá un ajuste máximo. Una vez que ha aflojado los tornillos del soporte, gire las levas para realizar los ajustes. Después de realizar los ajustes, apriete todos los tornillos del soporte. Consulte las siguientes ilustraciones.



Ajuste hacia adentro y hacia afuera.

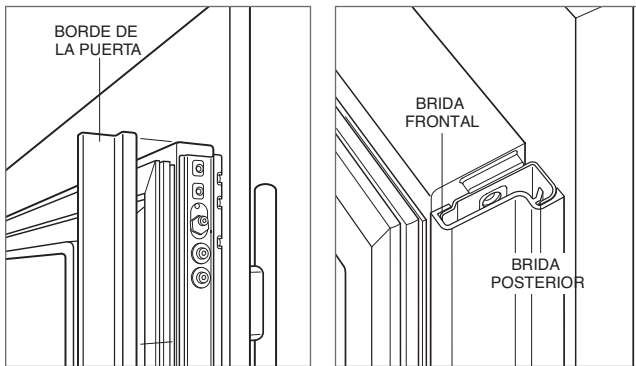


Ajuste hacia arriba y hacia abajo.

## Finalización

### INSTALACIÓN DEL RIBETE DE LA PUERTA

Una vez que los paneles estén ajustados, instale el lado decorativo del ribete en la puerta y los cajones. Para instalarlo, comience en la parte superior alinee el ribete con las bridas frontal y posterior en el soporte y colóquelo a presión en su lugar, empujando el ribete hacia la parte posterior del panel. Una vez que la parte inferior está asegurada, siga la instalación hacia abajo hasta que el ribete restante esté completamente asegurado. Consulte las siguientes ilustraciones.

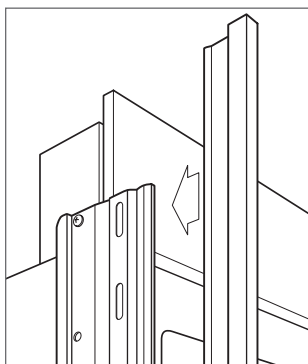


Ribete de la puerta.

Bridas de soporte.

### INSTALACIÓN DEL RIBETE LATERAL

Instale la tira de ribete decorativo en el lado de la manija de los modelos altos y de columna. El ribete lateral se abrocha sobre el soporte unido al lado de la manija de la unidad. Consulte la siguiente ilustración.



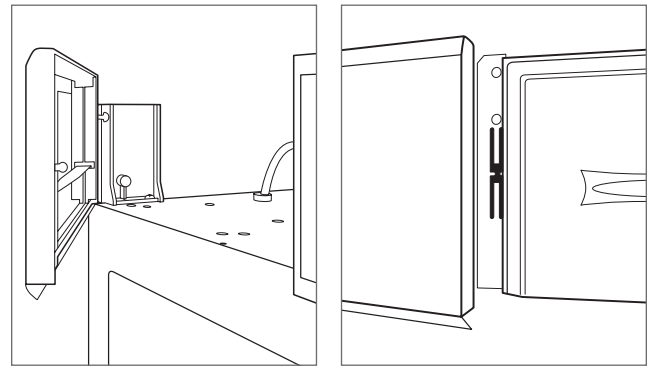
Ribete lateral.

### INSTALACIÓN DEL RIBETE SUPERIOR

Identifique las tiras del ribete superior por la muesca que tienen en la parte inferior en uno de los extremos, esta tira del ribete encaja sobre el lado de la bisagra de la unidad.

Inserte el extremo exterior de cada tira del ribete detrás del ribete lateral vertical. Enganche el broche de presión en el soporte lateral de plástico y deslice el panel hacia afuera lo más que pueda. Consulte la siguiente ilustración.

Gire el extremo interior de cada panel hacia el reborde lateral de la cubierta central, junto a la puerta de acceso del filtro de agua. Presione la tira de ribete para que encaje en su lugar. Consulte la siguiente ilustración.



Ribete superior interno.

Ribete superior externo.

## Finalización

### INSTALACIÓN DEL ZÓCALO

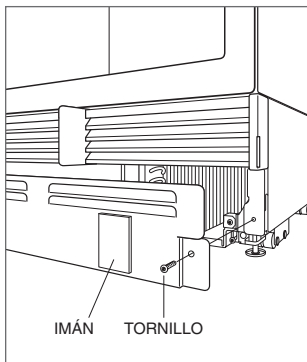
Coloque el zócalo en su posición e instale con los dos tornillos para montaje. Consulte la siguiente ilustración. El zócalo debe ser desmontable para sacarlo cuando sea necesario dar servicio a la unidad. El suelo no debe interferir al desmontarlo.

Al zócalo instalado de fábrica se puede sujetar un zócalo decorativo de 6" (152) como máximo. Las dos filas de rejillas de ventilación pueden quedar cubiertas si el panel de la puerta se encuentra a una distancia mínima de 4" (102) del suelo terminado. Para instalar un zócalo decorativo, retire el papel protector de los imanes y adhiera el zócalo decorativo a los imanes. Los imanes permiten retirar el zócalo decorativo, si es necesario.

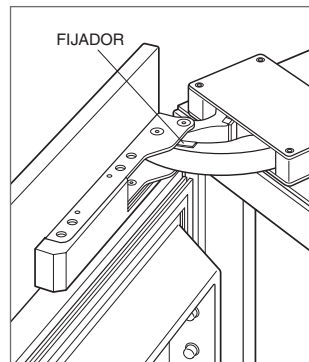
Para encender la unidad pulse el botón de 'encendido' en el panel de control.

### TOPE PARA PUERTA A 90°

Las bisagras tienen integrado un tope de puerta de 105°. Para limitar la puerta a 90°, abra la puerta a un poco menos de 90°, a continuación utilice destornillador de hoja estándar para quitar los clips existentes de cada bisagra. Localice los clips de 90° en la bolsa de plástico que contiene la documentación del producto, a continuación, inserte los clips de 90° en cada bisagra. Consulte la siguiente ilustración.



Instalación del zócalo.



Tope para puerta a 90°.

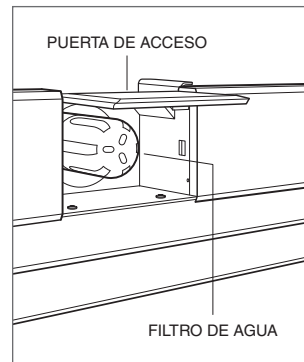
### DESVIACIÓN DEL FILTRO DE AGUA (IW-30CI)

Si no va a utilizar el sistema de filtrado, puede colocarlo en el modo de desvío del filtro de agua mediante la extracción del filtro de agua. Siga estos pasos para extraer el filtro de agua:

- 1 Jale el borde inferior de la puerta de acceso hacia fuera e incline hacia arriba.
- 2 Para extraer el filtro, gírelo un cuarto en sentido opuesto de las manecillas del reloj y jálelo. Consulte la siguiente ilustración.

#### ⚠ ADVERTENCIA

Siga todas las leyes estatales y locales para almacenar, reciclar o desechar los refrigeradores y congeladores no utilizados.



Extracción del filtro de agua (IW-30CI).

## Table des matières

- 3 Cellier à vin
- 4 Dimensions de l'ouverture
- 5 Électricité
- 6 Plomberie
- 6 Préparation
- 6 Support antibasculement
- 8 Emplacement
- 8 Alignement
- 9 Tuyau d'alimentation en eau
- 10 Panneaux personnalisés
- 12 Installation des panneaux
- 14 Achèvement

Les caractéristiques et les spécifications peuvent être modifiées en tout temps sans préavis. Visitez [subzero.com/specs](http://subzero.com/specs) pour obtenir les renseignements les plus récents.

## Remarque importante

Pour s'assurer que ce produit est installé et utilisé en toute sécurité et aussi efficacement que possible, prenez note des types de renseignements mis en évidence tout au long de ce guide :

**REMARQUE IMPORTANTE** met en évidence des renseignements qui sont particulièrement importants.

**MISE EN GARDE** indique une situation où une blessure mineure ou des dommages au produit peuvent se produire si les directives ne sont pas respectées.

**AVERTISSEMENT** décrit un danger qui peut causer une blessure grave ou la mort si les précautions ne sont pas respectées.

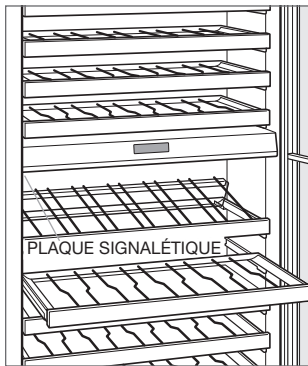
**REMARQUE IMPORTANTE** : tout au long de ce guide, les dimensions entre parenthèses sont en millimètres à moins d'indication contraire.

**REMARQUE IMPORTANTE** : conservez ces directives pour l'inspecteur en électricité local.

## Renseignements sur le produit

Des renseignements importants sur le produit, y compris les numéros de modèle et de série, se trouvent sur la plaque signalétique du produit. La plaque signalétique est située sur le côté inférieur du panneau de commande, à la gauche. Reportez-vous à l'illustration ci-dessous.

Si vous avez besoin de service, communiquez avec le service Sub-Zero certifié par l'usine avec les numéros de modèle et de série. Pour obtenir le nom du centre de service Sub-Zero certifié par l'usine le plus près de chez vous ou si vous avez des questions concernant l'installation, consultez la section Contact et assistance de notre site Web, [subzero.com](http://subzero.com) ou appelez le service à la clientèle de Sub-Zero au 800-222-7820.



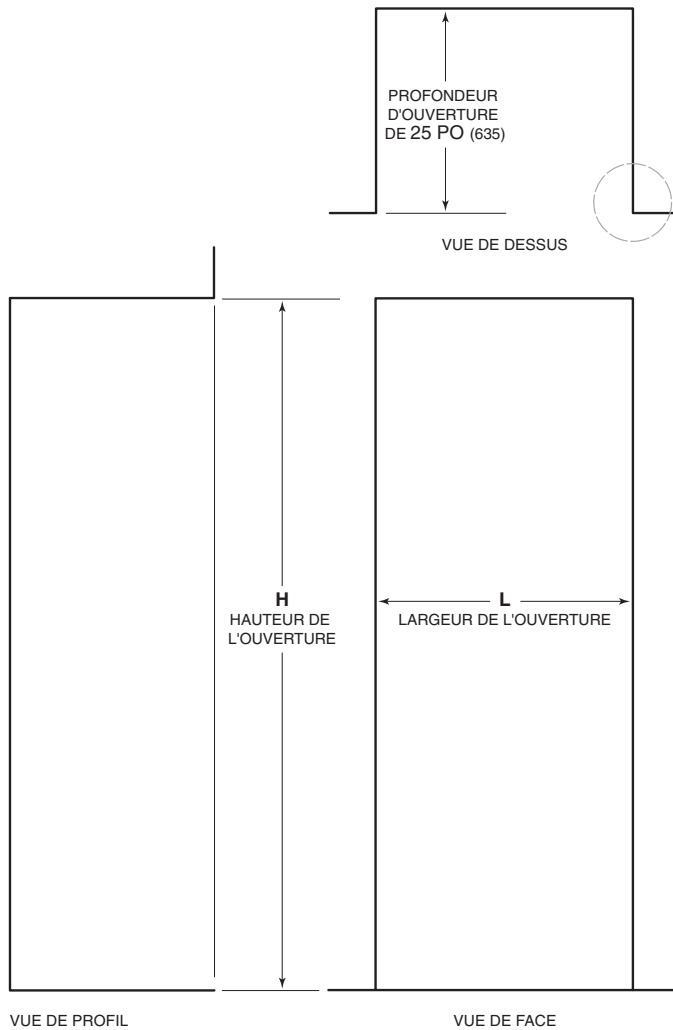
Emplacement de la plaque signalétique.

## Outils et matériaux

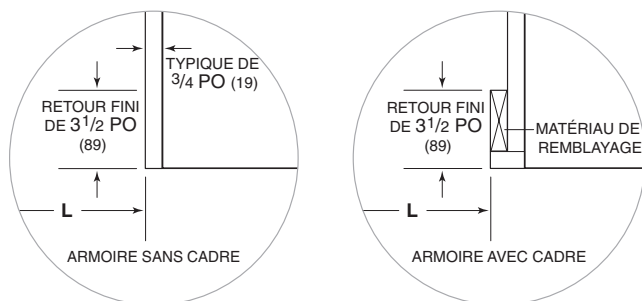
- Tournevis—standard, cruciforme et Torx.
- Perceuse électrique.
- Mèches (des mèches à maçonnerie sont requises pour l'installation dans le béton).
- Ensemble de clés et de douilles standard.
- Niveaux de 2 pi et 4 pi.
- Coupe-tube.
- 3 pi (0,9 m) de tube PEX ou en acier inoxydable tressé en cuivre de 1/4 po de diamètre extérieur.
- Vanne à étrier.
- Des matériaux pour protéger la résidence, le plancher et les armoires pendant l'installation.

## Dimensions de l'ouverture

### CELLIER À VIN



REMARQUE : les retours finis de 3 1/2 po (89) seront visibles et doivent être finis pour s'agencer aux armoires.



DIMENSIONS DE L'OUVERTURE	L	H
Modèle de 18 po	18 po (457)	84 po (2134)
Modèle de 24 po	24 po (610)	84 po (2134)
Modèle de 30 po	30 po (762)	84 po (2134)

La profondeur de chaque modèle de cellier est de 24 po (610). Allouez de l'espace pour l'épaisseur du panneau durant la planification de la profondeur de l'ouverture finie. Un retour fini d'au moins 3 1/2 po (89) est requis sur tous les côtés de l'ouverture. Les armoires encadrées nécessiteront un matériau de remblayage supplémentaire derrière le cadre avant pour obtenir une installation appropriée. Reportez-vous à l'illustration.

### INSTALLATION DOUBLE

Lors de l'installation de deux unités l'une à côté de l'autre dans une installation double, la largeur de l'ouverture est la largeur des deux unités additionnées ensemble. Une trousse d'installation double sera requise pour cette installation. Si une trousse d'installation double n'est pas précisée, une languette de remplissage d'au moins 2 po (51) est recommandée entre les unités.

Les trusses d'installation double sont offertes par les dépositaires Sub-Zero autorisés. Pour obtenir des renseignements sur votre dépositaire local, visitez la section salle d'exposition de notre site Web, [subzero.com](http://subzero.com). Si vous avez des questions au sujet de l'installation, communiquez avec le service à la clientèle de Sub-Zero au 800-222-7820.



## Électricité

L'installation doit se conformer à tous les codes électriques applicables.

L'alimentation électrique doit se trouver à l'intérieur de la zone ombragée indiquée dans l'illustration et le tableau ci-dessous. Un circuit séparé servant uniquement cet appareil est requis. Un disjoncteur de fuite de terre (GFCI) n'est pas recommandé et peut interrompre le fonctionnement.

La prise doit être placée de façon à ce que la broche de mise à la terre se trouve à la droite des broches plus minces.

### ▲ MISE EN GARDE

Cette prise doit être vérifiée par un électricien qualifié pour s'assurer qu'elle est câblée avec la polarité appropriée. Assurez-vous que la prise est correctement mise à la terre.

### ▲ AVERTISSEMENT

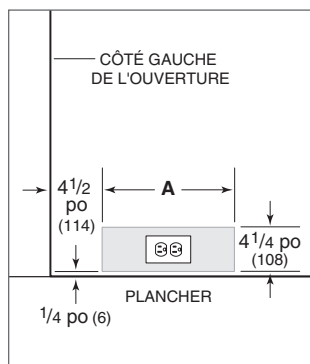
N'utilisez pas une rallonge ou un adaptateur à deux broches et ne retirez pas la broche de mise à la terre du cordon d'alimentation.

### EXIGENCES ÉLECTRIQUES

Alimentation électrique	115 volts CA, 60 Hz
Service	15 ampères
Prise	mise à la terre à trois broches

### EMPLACEMENT DE L'ALIMENTATION ÉLECTRIQUE A

Modèle de 18 po	6 po (152)
Modèle de 24 po	9½ po (241)
Modèle de 30 po	12½ po (318)



Emplacement de l'alimentation électrique.

### CONNEXION AU SYSTÈME D'ALARME RÉSIDENTIEL

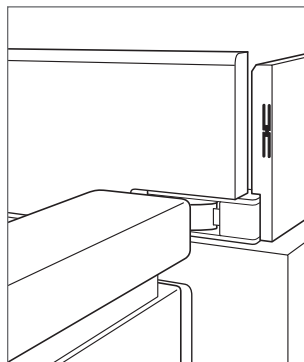
Si l'unité sera reliée à un système d'alarme résidentiel, des fils à basse tension doivent être acheminés jusqu'à l'unité. Deux connecteurs sont situés derrière la garniture supérieure. Fournissez des fils d'au moins 10 pi (3 m) de longueur pour chaque connecteur, sortant du mur arrière près de la prise électrique.

Retirez la garniture supérieure en la dégageant du côté charnière de l'unité. Faites pivoter la garniture et retirez la goupille de garniture du support vertical latéral de la poignée. Reportez-vous aux illustrations ci-dessous. Utilisez des bornes embrochables ou des coinçeurs à câble pour effectuer des connexions de fil appropriées. Reportez-vous aux codes de couleur suivants :

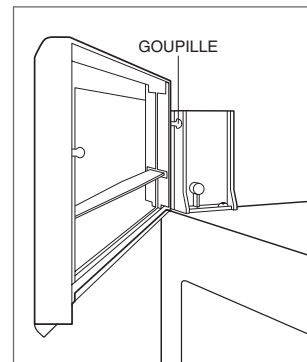
- Contacts normalement ouverts—fil blanc avec rayure rouge.
- Commun—fil gris avec rayure blanche.

### ▲ MISE EN GARDE

Le circuit d'alarme de l'unité est conçu comme dispositif à faible tension, faible courant seulement. Il ne doit pas être utilisé pour modifier l'intensité de la ligne. Toute borne non utilisée doit être complètement isolée et tous les fils doivent être fixés loin de tout composant conducteur ou mobile.



Garniture supérieure—côté charnière.



Garniture supérieure—côté poignée.

## Plomberie

L'installation doit se conformer à tous les codes de plomberie applicables. Pour le modèle IW-30CI, la conduite d'alimentation d'eau doit se trouver dans la zone ombragée indiquée dans l'illustration ci-dessous. Le tuyau d'alimentation en eau doit être relié à l'alimentation de la maison avec un robinet d'arrêt facilement accessible. N'utilisez pas des vannes à auto-perçage. Le tuyau d'alimentation en eau doit être au ras du sol et ne pas nuire à l'installation du support antibasculement.

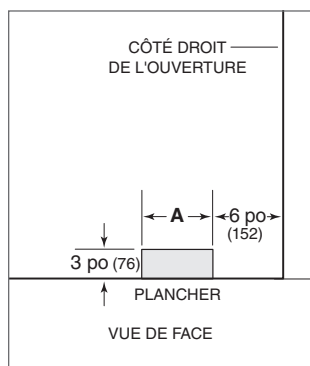
Un système à osmose inverse peut être utilisé à condition qu'il y ait une pression d'eau constante de 35 à 120 lb/po<sup>2</sup> (2,4 à 8,3 bars) vers l'unité en tout temps. Dans cette application, le système de filtration doit être dérivé. Reportez-vous à la dérivation du filtre à eau à la page 15. Une conduite en cuivre n'est pas recommandée pour cette application.

### EXIGENCES DE PLOMBERIE

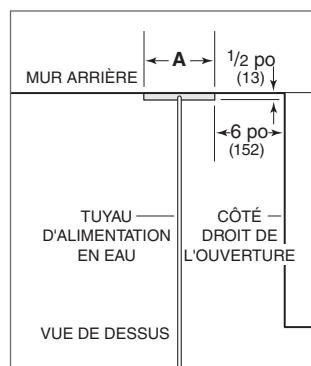
Tuyau d'alimentation en eau	tube PEX ou en acier inoxydable tressé en cuivre de 1/4 po (6) de diamètre extérieur
Pression d'eau	35-120 lb/po <sup>2</sup> (2,4-8,3 bars)
Tuyau d'alimentation en eau supplémentaire pour connexion	36 po (914)

### EMPLACEMENT DE L'ALIMENTATION D'EAU

IW-30CI	6 po (152)
---------	------------



Emplacement de l'alimentation en eau (à l'arrière).



Emplacement de l'alimentation en eau (au fond).

## Préparation

Sortez l'unité de la boîte et examinez-la pour vous assurer qu'elle n'est pas endommagée. Retirez la base en bois et jetez les boulons et les supports d'expédition. Retirez et recyclez les matériaux d'emballage. Ne jetez pas la plaque de protection, le support antibasculement et la quincaillerie.

Retirez la plaque de protection en enlevant les deux vis de montage. Reportez-vous à l'illustration ci-dessous.

## Support antibasculement

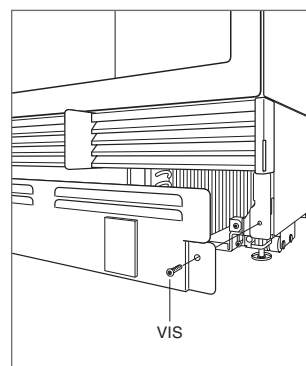
### ▲ AVERTISSEMENT

Pour empêcher l'unité de basculer vers l'avant, le support antibasculement doit être installé.

L'arrière du support antibasculement doit être installé à une distance de 24 po (610) de l'avant de l'unité (sans panneaux). Utilisez toute la quincaillerie pour le support antibasculement selon les directives pour les planchers en bois ou en béton.

**REMARQUE IMPORTANTE :** pour les applications sur des planchers en bois ou en béton, si les vis n° 12 ne touchent pas un poteau mural ou une plaque murale, utilisez les vis n° 8 et les rondelles n° 12 avec les dispositifs d'ancrage au mur.

**REMARQUE IMPORTANTE :** dans certaines installations, le sous-plancher ou le plancher fini peuvent nécessiter l'inclinaison des vis utilisées pour fixer le support antibasculement au mur arrière.



Retrait de la plaque de protection.

## Support antibasculement

### APPLICATION SUR UN PLANCHER EN BOIS

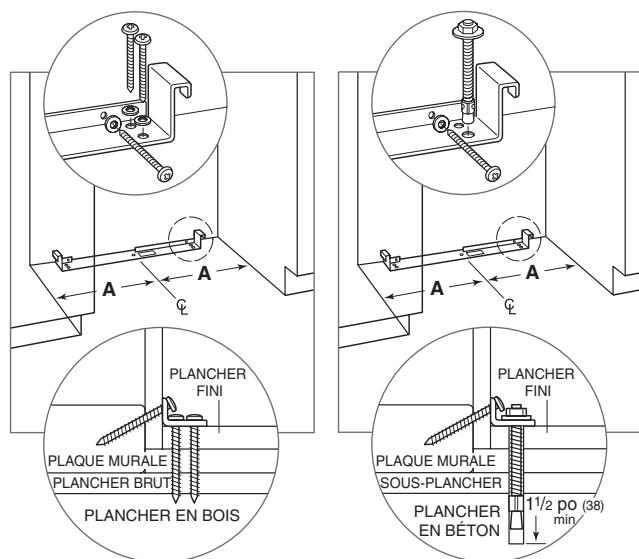
Après avoir correctement repéré le support antibasculement dans l'ouverture, percez des avant-trous de  $\frac{3}{16}$  po (5) de diamètre au maximum dans les poteaux muraux ou la plaque murale. Utilisez les vis et les rondelles n° 12 pour fixer les supports. Vérifiez que les vis pénètrent dans le matériau du plancher et dans les poteaux muraux ou la plaque murale d'une distance d'au moins  $\frac{3}{4}$  po (19). Reportez-vous à l'illustration et au tableau ci-dessous.

### APPLICATION SUR UN PLANCHER EN BÉTON

Après avoir correctement repéré le support antibasculement dans l'ouverture, percez des avant-trous de  $\frac{3}{16}$  po (5) de diamètre au maximum dans les poteaux muraux ou la plaque murale. Percez des trous de  $\frac{3}{8}$  po (10) de diamètre dans le béton d'une profondeur d'au moins  $1\frac{1}{2}$  po (38). Utilisez les vis et les rondelles n° 12 pour fixer les supports au mur et utilisez les cales d'ancrage de  $\frac{3}{8}$  po (10) pour fixer les supports au plancher. Vérifiez que les vis pénètrent dans les poteaux muraux ou la plaque murale d'une distance d'au moins  $\frac{3}{4}$  po (19). Reportez-vous à l'illustration et au tableau ci-dessous.

#### MISE EN PLACE DU SUPPORT ANTIBASCULEMENT A

Modèle de 18 po	9 po (229)
Modèle de 24 po	12 po (305)
Modèle de 30 po	15 po (318)



Plancher en bois.

Plancher en béton.

### INSTALLATION DE LA CALE D'ANCRAGE POUR BÉTON

- 1 Percez un trou de  $\frac{3}{8}$  po (10) de diamètre de toute profondeur excédant le noyage minimal. Nettoyez le trou ou continuez à percer plus profondément pour accommoder les fines de perçage.
- 2 Assemblez la rondelle et l'écrou à égalité avec l'extrémité de la cale d'ancrage pour protéger les filets. Enfoncez la cale d'ancrage dans le matériau à fixer jusqu'à ce que la rondelle soit à égalité avec la surface du matériau.
- 3 Ouvrez la cale d'ancrage en serrant l'écrou de trois à cinq tours au-delà de la position serrée à la main ou un couple de 25 pi-lb.

#### ⚠ AVERTISSEMENT

Vérifiez qu'il n'y ait pas de fils électriques ou de plomberie dans la zone qui pourraient être pénétrés par les vis.

#### ⚠ MISE EN GARDE

Portez toujours des lunettes de sécurité et utilisez d'autres dispositifs ou vêtements de protection nécessaires lors de l'installation ou du travail avec des dispositifs d'ancrage.

Il n'est pas recommandé d'utiliser des dispositifs d'ancrage dans de la maçonnerie légère comme des blocs ou de la brique, ou dans du nouveau béton qui n'a pas eu assez de temps pour sécher. L'utilisation de forets-aléseurs n'est pas recommandée pour percer les trous des cales d'ancrage.

## Mise en place

### ▲ MISE EN GARDE

Avant de mettre l'unité en place, sécurisez la porte | les tiroirs en position fermée et protégez tout plancher fini.

Utilisez un chariot à appareil pour déplacer l'unité près de l'ouverture. Les pieds d'inclinaison avant sont allongés sous les roulettes avant pour améliorer la stabilité durant la mise en place. Une fois l'unité placée devant l'ouverture, rentrez complètement les pieds d'inclinaison avant afin de pouvoir rouler l'unité en place. Les pieds d'inclinaison avant et arrière peuvent être réglés à partir de l'avant lorsque l'unité est en place.

Si l'unité a été posée sur le dos ou le côté, elle doit être mise debout pendant au moins 24 heures avant de relier l'alimentation.

Branchez le cordon d'alimentation dans une prise mise à la terre et roulez l'unité en place. Vérifiez que le support anti-basculement est correctement enclenché.

## Alignement

### NIVELLEMENT

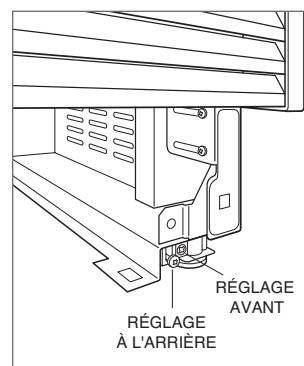
Une fois l'unité en place, le réglage de la hauteur peut être effectué à partir de l'avant. Au moyen d'un tournevis cruciforme, tournez dans le sens horaire pour relever l'unité ou dans le sens antihoraire pour l'abaisser. Utilisez le réglage de couple le plus bas lorsque vous utilisez une perceuse électrique. Ne tournez pas les pieds d'inclinaison à la main. Reportez-vous à l'illustration ci-dessous.

Lorsque l'unité est correctement mise au niveau, des réglages à la porte | aux tiroirs sont moins susceptibles d'être nécessaires.

**REMARQUE IMPORTANTE :** nivelez l'unité en fonction du plancher, pas des armoires environnantes. Cela pourrait affecter le fonctionnement de l'unité, comme la fermeture de la porte.

### ▲ AVERTISSEMENT

Afin de réduire le risque de basculement vers l'avant de l'unité, les pieds d'inclinaison avant doivent être en contact avec le sol.



Nivellement.

## Alignement

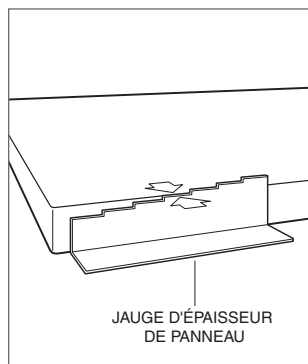
### RÉGLAGE DE LA PROFONDEUR

Régalez la profondeur de l'unité afin qu'elle soit à égalité avec les armoires adjacentes. Suivez les étapes suivantes pour effectuer un réglage précis :

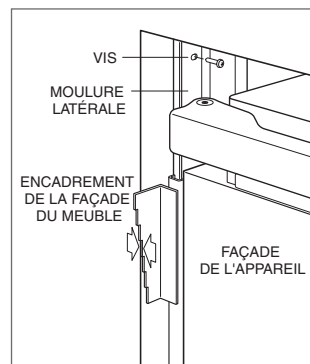
- 1 Placez le panneau décoratif sur une surface de travail protégée. Placez la jauge d'épaisseur de panneau à côté du panneau pour trouver l'encoche qui correspond à l'épaisseur du panneau. Reportez-vous à l'illustration ci-dessous. Une fois l'encoche appropriée trouvée, marquez-la avec un marqueur.
- 2 La porte étant fermée, placez la partie supérieure de l'unité au moyen de la jauge d'épaisseur de panneau. Reportez-vous à l'illustration ci-dessous. Insérez une vis en acier inoxydable n° 8 x 1/2 po au-dessus de la charnière, puis insérez une vis à tête cylindrique bombée n° 8 x 1/2 po du côté de la poignée de l'unité. Pour les unités plus étroites, la porte peut avoir besoin d'être ouverte pour accéder à l'emplacement de la vis du côté de la poignée. Répétez le processus pour aligner la partie inférieure.

### ANCRAGE

Une fois les parties supérieure et inférieure alignées, assurez-vous que les portes/les tiroirs s'ouvrent correctement, puis installez le reste des vis dans chaque garniture latérale.



Épaisseur du panneau.



Profondeur de l'unité.

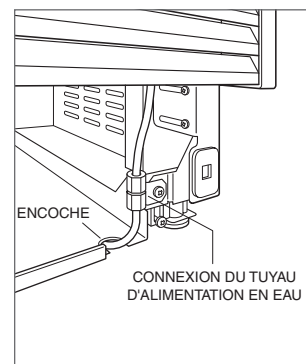
## Tuyau d'alimentation en eau

Pour le modèle IW-30CI, un tube en plastique de 1/4 po mesurant environ 3 pieds (0,9 m) est relié à l'unité au moyen d'une connexion comprimée de 1/4 po pré-assemblée sous l'unité. La trousse de connexion du raccord du tuyau d'alimentation d'eau, fournie avec l'unité, comprend un raccord d'union de compression de 1/4 po pour relier jusqu'au tuyau d'alimentation d'eau de la résidence.

Purgez le tuyau d'alimentation en eau avant d'effectuer la dernière connexion vers l'unité. Ceci éliminera tous les débris qui pourraient se trouver dans le tube suite à l'installation du nouveau tuyau d'alimentation en eau. Reliez le tube en plastique de l'unité à l'alimentation en eau de la résidence au moyen de la trousse de connexion de raccords fournie. Repérez le tuyau d'alimentation en eau dans l'encoche comme il est montré dans l'illustration ci-dessous. Vérifiez que tous les raccords du tuyau d'alimentation en eau n'aient pas de fuites.

**REMARQUE IMPORTANTE :** si un système à osmose inverse est utilisé, il est recommandé que le système de filtration d'eau soit dérivé en retirant le filtre.

**REMARQUE IMPORTANTE :** les tuyaux d'alimentation en eau ne doivent pas être exposés au gel.



Tuyau d'alimentation en eau (IW-30CI).

## Panneaux personnalisés

La quincaillerie de la poignée et des panneaux de porte | tiroir personnalisés doit être installée. Des panneaux en acier inoxydable sont offerts par les dépositaires Sub-Zero autorisés. Pour obtenir des renseignements sur votre dépositaire local, visitez la section salle d'exposition de notre site Web, subzero.com.

L'épaisseur du panneau personnalisé peut varier. Un panneau d'une épaisseur d'au moins  $\frac{5}{8}$  po (16) est requis, mais l'épaisseur peut être augmentée à condition de ne pas dépasser le poids maximal du panneau indiqué dans le tableau ci-dessous. La profondeur de chaque modèle est de 24 po (610). Allouez de l'espace pour l'épaisseur du panneau durant la planification de la profondeur de l'ouverture finie.

### EXIGENCES DU PANNEAU

POIDS DU PANNEAU	MAX
Porte (modèle en colonne)	35 lb (16 kg)
Porte (modèle grand)	25 lb (11 kg)
Tiroir	15 lb (7 kg)
ÉPAISSEUR DU PANNEAU	MIN
Tous les panneaux	$\frac{5}{8}$ po (16)

Les jeux entre les panneaux peuvent varier; des jeux de  $\frac{1}{8}$  po (3) sont typiques.

#### ▲ MISE EN GARDE

Lorsque vous installez un panneau mesurant plus de 1 po (25) d'épaisseur, la butée de 90° peut être requise pour éviter d'endommager l'unité et les armoires adjacentes.

#### ▲ MISE EN GARDE

Lorsque les jeux entre les armoires et l'unité diminuent, il y a des risques de pincements de doigts graves pendant la fermeture de la porte.

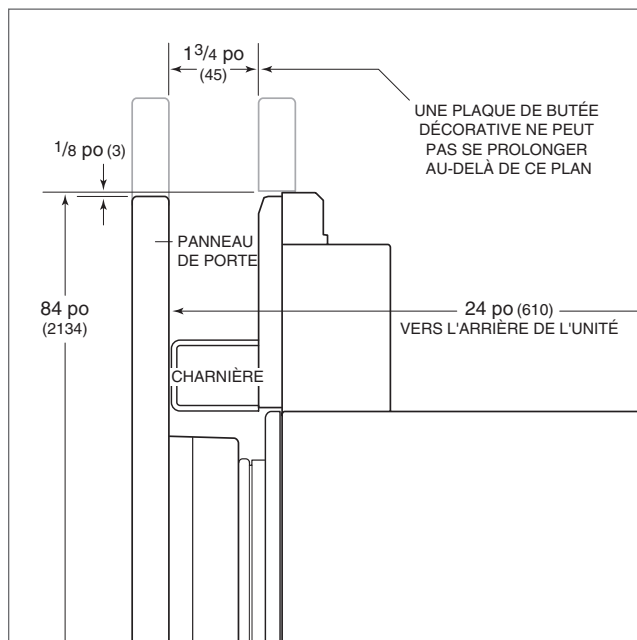
Finissez tous les côtés des panneaux personnalisés. Ils seront visibles lorsque la porte est ouverte.

Des poignées de style en D sont recommandées. Des poignées tubulaires et professionnelles en acier inoxydable sont offertes par les dépositaires Sub-Zero autorisés. Pour obtenir des renseignements sur votre dépositaire local, visitez la section salle d'exposition de notre site Web, subzero.com. Les poignées de porte doivent se trouver près du rebord du panneau opposé à la charnière et être centrées de haut en bas. Les poignées de tiroir doivent être situées près du rebord supérieur de chaque panneau.

## Panneaux personnalisés

### HAUTEUR DU PANNEAU DE PORTE

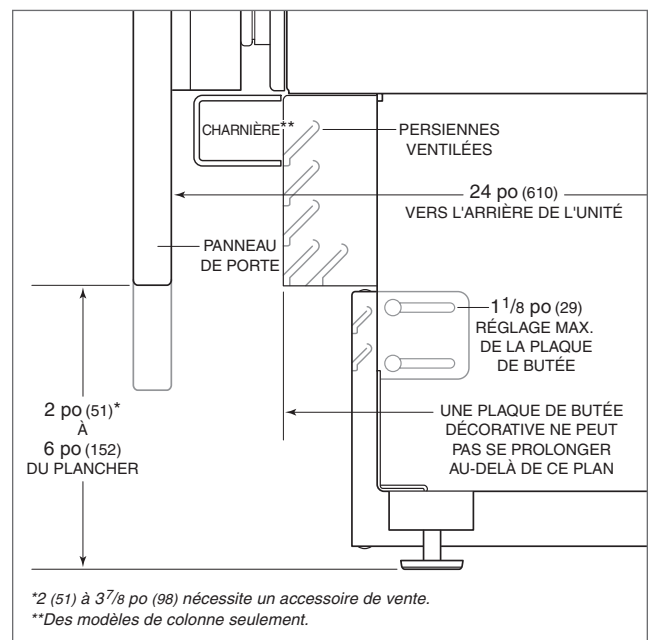
La hauteur du panneau de porte personnalisé peut se prolonger au-delà de la hauteur typique d'un panneau à condition de ne pas dépasser la limite de poids. Reportez-vous à l'illustration ci-dessous.



Cantonnière supérieure (vue latérale).

### DÉGAGEMENT DE LA PLAQUE DE BUTÉE

La hauteur de la zone de la plaque de butée peut se prolonger au-delà de la hauteur typique de la plaque de butée, à condition qu'elle ne dépasse pas les dimensions dans l'illustration ci-dessous. Les hauteurs de plaque de butée de 2 (51) à 3 7/8 po (98) nécessitent un accessoire de plaque de butée réduit offert par les dépositaires Sub-Zero autorisés. Pour obtenir des renseignements sur votre dépositaire local, visitez la section salle d'exposition de notre site Web, [subzero.com](http://subzero.com). Si vous avez des questions au sujet de l'installation, communiquez avec le service à la clientèle de Sub-Zero au 800-222-7820.



Plaque de butée (vue latérale).

\*2 (51) à 3 7/8 po (98) nécessite un accessoire de vente.

\*\*Des modèles de colonne seulement.

## Installation des panneaux

### PANNEAU DE PORTE

Les dimensions typiques d'un panneau sont fondées sur une hauteur finie de 84 po (2 134) avec des jeux de 1/8 po (3). La position du gabarit doit être ajustée pour les panneaux qui dépassent les dimensions typiques.

Pour le modèle grand, le panneau de porte doit être installé en premier, suivi du panneau du tiroir supérieur, puis celui du tiroir inférieur.

Placez le panneau vers le bas sur une surface de travail protégée. Placez le gabarit à égalité avec le haut et les côtés du panneau. Assurez-vous d'utiliser le bon côté du gabarit, puis marquez et percez les trous. Reportez-vous à l'illustration ci-dessous.

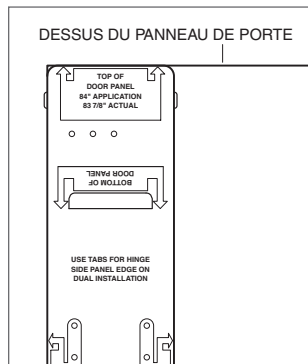
Pour le modèle grand, alignez l'encoche du gabarit avec le bas du panneau de porte, puis marquez et percez les trous. Reportez-vous à l'illustration ci-dessous.

Utilisez l'entraînement Torx T-20 fourni pour partiellement insérer une vis n° 8 x 1/2 po dans le deuxième trou à partir du haut de chaque côté du panneau. Les vis doivent dépasser le panneau d'environ 3/16 po (4) et soutiendront le poids du panneau pendant l'installation.

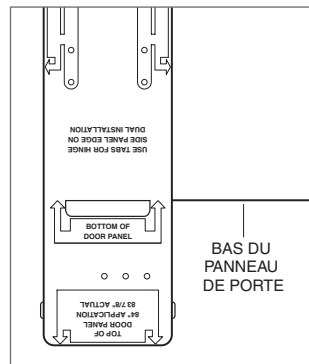
Alignez les vis de soutien à l'arrière du panneau avec les trous allongés sur les deux supports de montage de porte. Ouvrir la porte légèrement peut aider à effectuer l'alignement. Une fois le panneau soutenu par les vis, insérez partiellement une vis n° 8 x 1/2 po dans le deuxième trou à partir du bas de chaque côté du panneau, mais ne serrez pas.

#### ⚠ MISE EN GARDE

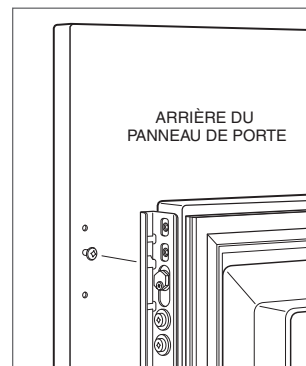
Lorsque le jeu entre les armoires et l'unité diminue, le risque de pincement des doigts augmente si ces derniers sont placés dans l'ouverture lorsque la porte se ferme.



Gabarit du panneau de porte—haut.



Gabarit du panneau de porte—bas (modèle grand).



Montage du panneau de porte.



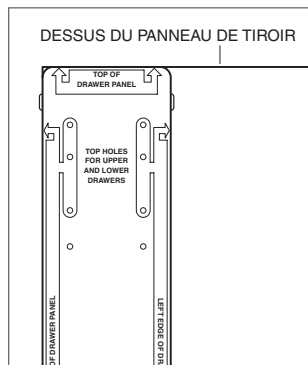
## Installation des panneaux

### PANNEAUX DE TIROIR—MODÈLE GRAND

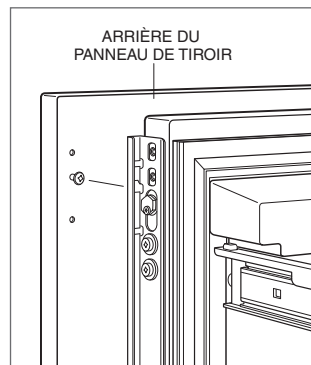
Placez le panneau vers le bas sur une surface de travail protégée. Placez le gabarit à égalité avec le haut et les côtés du panneau. Assurez-vous d'utiliser le bon côté du gabarit, puis marquez et percez les trous. Reportez-vous à l'illustration ci-dessous.

Utilisez l'entraînement Torx T-20 fourni pour partiellement insérer une vis n° 8 x 1/2 po dans le deuxième trou à partir du haut de chaque côté du panneau. Les vis doivent dépasser le panneau d'environ 3/16 po (4) et soutiendront le poids du panneau pendant l'installation.

Alignez les vis de soutien à l'arrière du panneau avec les trous allongés sur les deux supports de montage de tiroir. Reportez-vous à l'illustration ci-dessous. Ouvrir le tiroir légèrement peut aider à effectuer l'alignement. Une fois le panneau soutenu par les vis, insérez partiellement une vis n° 8 x 1/2 po dans le deuxième trou à partir du bas de chaque côté du panneau, mais ne serrez pas.



Gabarit du panneau de tiroir—haut.



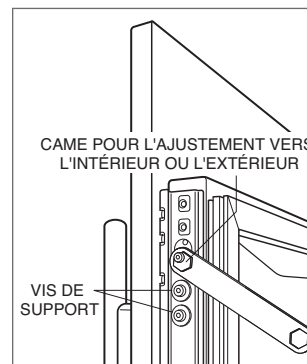
Montage du panneau de tiroir.

### RÉGLAGE DU PANNEAU

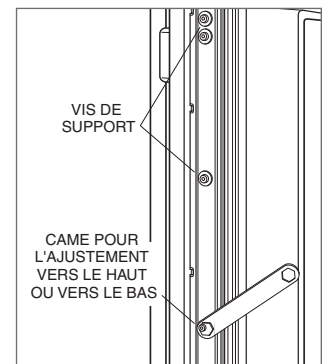
Fermez la porte ou les tiroirs. Des réglages peuvent maintenant être effectués pour aligner les panneaux et les jeux.

Pour le réglage d'un côté à l'autre, déplacez les panneaux d'un côté à l'autre, puis installez et serrez toutes les vis de montage.

Pour les réglages de haut en bas et vers l'intérieur ou l'extérieur, desserrez légèrement les vis du support. Selon le niveau de réglage requis, il pourra s'avérer utile de desserrer toutes les vis du support pour permettre un réglage maximal. Une fois les vis du support desserrées, pivotez les cames pour effectuer les réglages. Une fois les réglages terminés, serrez toutes les vis du support. Reportez-vous aux illustrations ci-dessous.



Réglage vers l'intérieur ou l'extérieur.

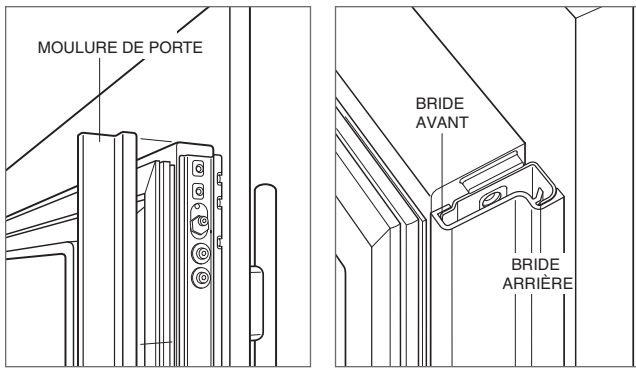


Réglage de haut en bas.

## Achèvement

### INSTALLATION DE LA GARNITURE DE PORTE

Une fois les panneaux bien ajustés, installez la garniture décorative latérale sur la porte | les tiroirs. Pour installer, commencez par le haut et alignez la garniture avec les brides avant et arrière du support, puis enclenchez en place en poussant la garniture vers l'arrière du panneau. Une fois la partie supérieure sécurisée, continuez l'installation vers le bas jusqu'à ce que la garniture restante soit complètement fixée. Reportez-vous aux illustrations ci-dessous.

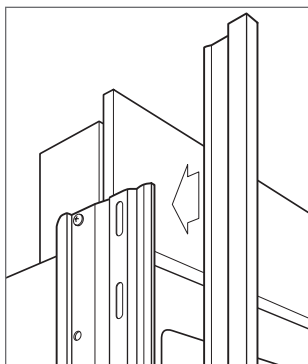


Garniture de porte.

Brides du support.

### INSTALLATION DE LA GARNITURE LATÉRALE

Installez la bande de garniture décorative du côté de la poignée des modèles en hauteur et en colonne. La garniture latérale s'enclenche sur le support fixé sur le côté poignée de l'unité. Reportez-vous à l'illustration ci-dessous.



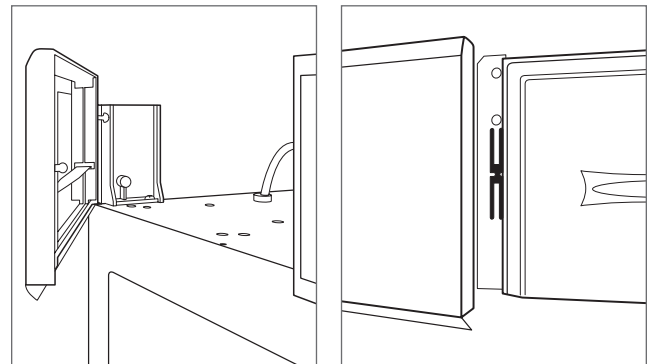
Garniture latérale.

### INSTALLATION DE LA GARNITURE SUPÉRIEURE

Identifiez les bandes de garniture supérieure par l'encoche située à une extrémité au fond; cette bande de garniture va sur le côté charnière de l'unité.

Insérez l'extrémité extérieure de chaque bande de garniture derrière la garniture latérale verticale. Enclenchez la bouterole dans le support latéral en plastique et glissez le panneau vers l'extérieur aussi loin que possible. Reportez-vous à l'illustration ci-dessous.

Pivotez l'extrémité intérieure de chaque panneau dans la bride latérale du boîtier central, à côté de la porte d'accès au filtre à eau. Appuyez sur la bande de garniture pour l'enclencher en place. Reportez-vous à l'illustration ci-dessous.



Garniture supérieure intérieure. Garniture supérieure extérieure.

## Achèvement

### INSTALLATION DE LA PLAQUE DE PROTECTION

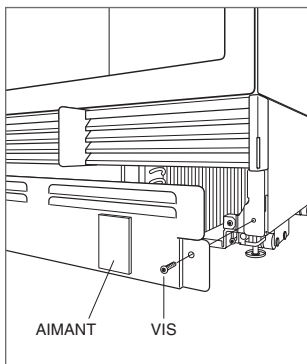
Placez la plaque de protection et installez-la au moyen des deux vis de montage. Reportez-vous à l'illustration ci-dessous. La plaque de protection doit pouvoir être enlevée pour toute réparation. Le plancher ne doit pas nuire à l'enlèvement.

Une plaque de protection décorative d'un maximum de 6 po (152) peut être fixée à la plaque de protection installée en usine. Les deux rangées de persiennes ventilées peuvent être couvertes si un panneau de porte se trouve à au moins 4 po (102) du plancher fini. Pour installer la plaque de protection décorative, retirez l'endos en papier des aimants et fixez la plaque de protection décorative aux aimants. Les aimants permettent le retrait de la plaque de protection décorative, si nécessaire.

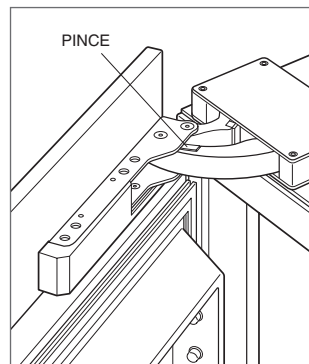
Coupez le courant en appuyant sur la touche « power » sur le panneau de commande.

### BUTÉE DE PORTE DE 90°

Une butée de porte de 105° est intégrée dans les charnières. Pour limiter l'ouverture de la porte à 90°, ouvrez la porte un peu moins que 90°, puis utilisez la lame d'un tournevis standard pour enlever les pinces existantes de chaque charnière. Repérez les pinces de 90° dans le sac en plastique contenant la documentation du produit, puis insérez les pinces de 90° dans chaque charnière. Reportez-vous à l'illustration ci-dessous.



Installation de la plaque de protection.



Butée de porte de 90°.

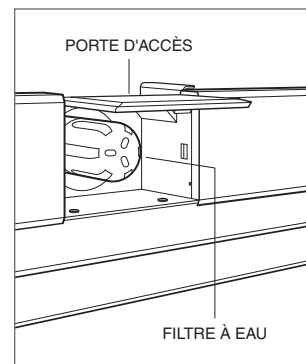
### DÉRIVATION DU FILTRE À EAU (IW-30CI)

Si le système de filtration d'eau ne sera pas utilisé, il peut être mis en mode de dérivation du filtre à eau en retirant le filtre à eau. Suivez ces étapes pour retirer le filtre à eau :

- 1 Tirez le rebord inférieur de la porte d'accès et inclinez vers le haut.
- 2 Pour retirer le filtre, pivotez-le dans le sens antihoraire d'un quart de tour et tirez vers l'extérieur. Reportez-vous à l'illustration ci-dessous.

#### ⚠ AVERTISSEMENT

Respectez toutes les lois provinciales et locales lors de l'entreposage, le recyclage ou l'élimination des réfrigérateurs et des congélateurs non utilisés.



Retrait du filtre à eau (IW-30CI).



SUB-ZERO, INC. P.O. BOX 44848 MADISON, WI 53744 SUBZERO.COM 800.222.7820

9012129 REV-A

12/2016

