

INCA LUX PLUS

INSERT



IMPROVE YOUR DAILY LIVING

The Inca Lux Plus nestles into any kitchen design with timeless good looks and a stainless steel finish. The Inca Lux Plus is easy to integrate into kitchen cabinets due to its slim depth, and the Perimeter Aspiration increases the extraction of cooking odors.

AVAILABLE MODELS

Model #	FUN #	Size / Color	Motor Class (CFM)
INLP28SSV	305.0679.265	28" Stainless Steel	295/395/600 CFM



THE INCA LUX PLUS LED BAR HAS A **TUNABLE LIGHT TEMPERATURE** FROM 2700 - 6000 KELVINS ADJUSTING TO SPECIFIC KITCHEN AMBIENCE.



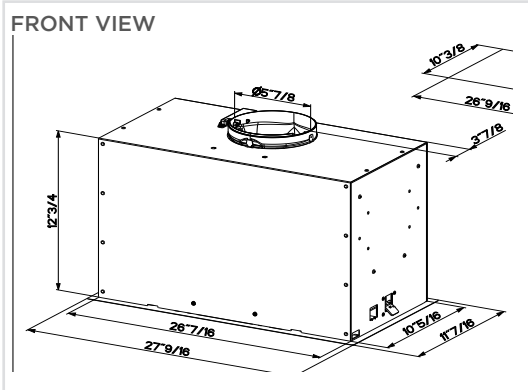
INCA LUX PLUS



MODEL	FUN #	SIZE/MATERIAL	MOTOR CLASS
INLP28SSV	305.0679.265	28" Stainless Steel	295/395/600 CFM

FEATURES		PERFORMANCE		ACCESSORIES
Dimensions		Motor		LINE30ST
Cabinet Cut Out	26 ⁹ / ₁₆ " W x 10 ⁷ / ₁₆ " D	No. of Fan Speeds	4	30" SS Liner (16 - 17 ⁷ / ₈ " D) - Use with INLX28
Height Inside Cabinet	12 ³ / ₄ "	Motor Class	295/395/600	LINE36ST
Ducting		Variable Air Management	Ability to set to 295, 395, 600 CFM	36" SS Liner (16 - 17 ⁷ / ₈ " D) - Use with INLX28
Type	Ducted/ Recirculating with FILTER1/FILTER1LL2	Perimeter Aspiration	Yes	FILTER1
Duct Size	Top 6" Round	Sound PRO Motor	Yes	Charcoal Filter Kit
Lighting		Display		FILTER1LL2
Type	LED Bar	Controls	Electronic With White LED	Long Lasting Charcoal Filter
# of Bulbs	One - 4 Watt - 2 Level	Intensive Speed	6 Minutes	REMORIG
Tunable Lights	Change Light Temperature From Warm - Cool	Delay Shut-off	15 Minutes	Wireless Remote Control
Grease Filters		Other		WIREBOX3
Filter Type	Mesh	ADA Compliant	With Remote Control	Fixed Wiring Box
Dishwasher Safe	Yes	Faber Cloud App	Control with Mobile Device	MUDAMPER6
Filter Wash Alarm	Yes	Voice Activated	Apple Siri, Google Home or Amazon Alexa	6" Make-up Air Kit
Anti-Pollution	24 Hour	Remote Control	Purchase Separately	MUDAMPER8
		Power Cord Included	Yes	8" Make-up Air Kit
				LINSPT301228
				30" Self Supporting Liner (17 ¹ / ₂ " - 20 ¹ / ₂ " D)
				LINSPT361228
				36" Self Supporting Liner (17 ¹ / ₂ " - 20 ¹ / ₂ " D)

DIMENSIONAL DRAWINGS



Rev4 223

800 Aviation Parkway, Smyrna, TN 37167 (508) 358-5353 | www.faberonline.com