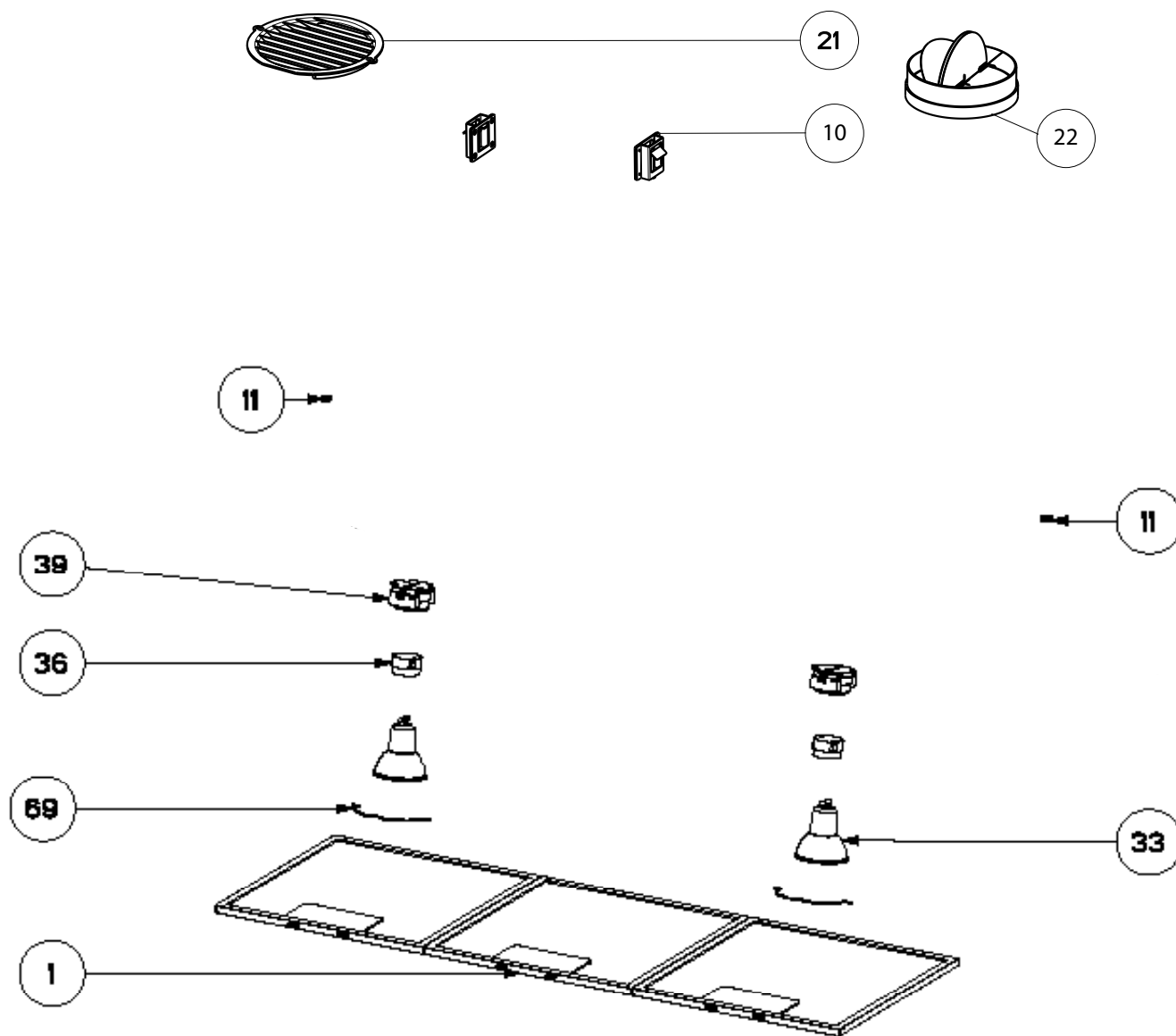


INCA HC 2019 SSV

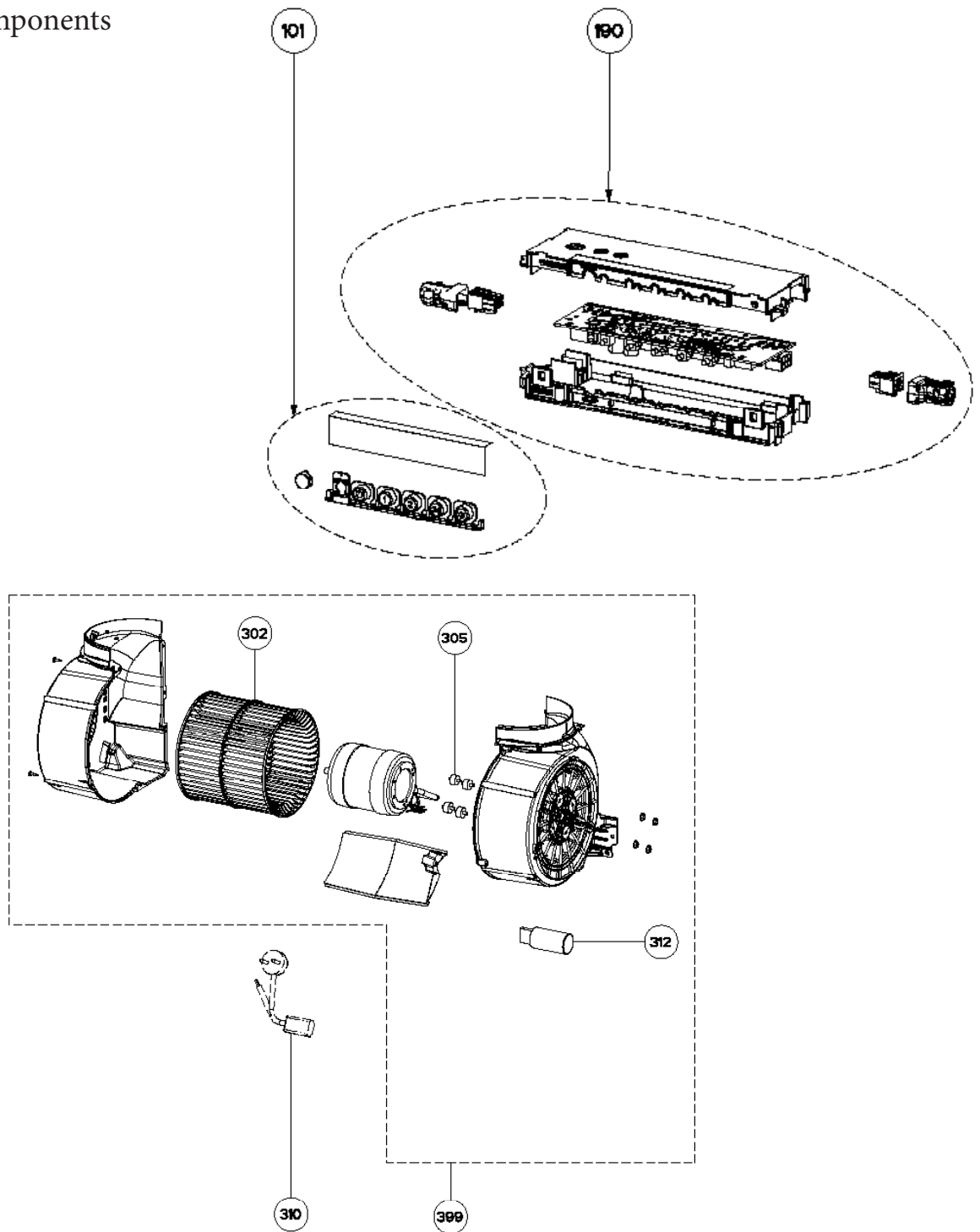
body components



	Model Number	INHC29SSV	INHC35SSV	
Key	Description	29 Stainless	35 Stainless	Qty Req.
1	Grease Filters	133.0189.437	133.0189.437	3
10	Hinge Clip Kit (2 in kit)	133.0078.993	133.0078.993	1
11	Rubber Stopper	133.0017.608	133.0017.608	1
21	Vent Grate	133.0016.964	133.0016.964	1
22	Damper	133.0055.994	133.0055.994	1
33	LED Bulb	133.0486.867	133.0486.867	2
36	Lamp Holder	133.0071.013	133.0071.013	1
39	Lamp Holder Support	133.0198.226	133.0198.226	2
69	Bulb Clip	133.0200.447	133.0200.447	1

INCA HC 2019 SSV

switch / motor components



	Model Number	INHC29SSV	INHC35SSV	
Key	Description	29 Stainless	29 Stainless	Qty Req.
101	Control Button Kit	133.0380.478	133.0380.478	1
190	Control Board Kit	133.0524.811	133.0524.811	1
302	Impeller Kit	133.0052.799	133.0052.799	1
305	Rubber Motor Mount	133.0051.604	133.0051.604	1
310	Power Cord	133.0381.468	133.0381.468	1
312	25 MF Capacitor	133.0060.648	133.0060.648	1
399	Motor Kit SSV	133.0554.637	133.0554.637	1