



Powered by the exclusive iQ Blower System™ with GPS Technology (see page 62) for the quietest, most energy efficient and fastest smoke and odor removal available in a range hood; external blowers offered separately.

LED lighting has an extremely long lifespan; lamps may never need replacement.

Perimeter aspiration provides highly effective smoke and steam removal.

Heat Sentry™ detects excessive heat and adjusts blower to high automatically.

Works with optional Universal Make-Up Air Dampers.

Model Numbers:
ICF6IQ100SB



Glass canopy provides a simple, yet elegant detail that adds a sparkle to its surroundings.



Four-speed electronic pushbutton controls include 10-minute delay-off and filter clean reminder.



Four LED lamps efficiently illuminate the cooktop.



Included ACR2 remote control lets the busy cook stay in control from anywhere in the kitchen.



Hood Sizes

Width	39-3/8"
Depth	27-5/8"

Finish

Stocked	Brushed Stainless Steel, with Glass Canopy
Special Order	Not Available

Features

Lighting Type	LED 3-watts
Number of Lamps	4
Lighting Levels	1
Lighting Lamps Included	Yes
Control Type	4-speed Electronic Pushbutton
Control Features	Heat Sentry™, Delay Off, Filter Timer
Remote Control	ACR2 Included
Filter Type	Mesh Grease Filter with Perimeter Aspiration
Non-ducted Capability	No

Hood Blower Included (ICF6IQ)

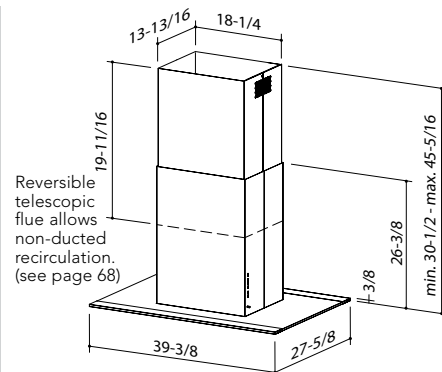
Internal	iQ6
Blower CFM	600
Sones Low/High	0.3/7.5

Accessories

10'-11' Flue Extension	AEICF6SB
Non-Duct Kit	ANKICF6
Non-Duct Filter	AFCICF6
Universal MUA Damper	MD6TU, MD8TU, MD10TU

Installation Requirements

Amps @ 120V: Internal Blower	4.0
Electrical Connection	Direct Wire
Duct Size: Internal Blower	8"
Duct Direction	Vertical
Backdraft Damper	Included



Reversible telescopic flue allows non-ducted recirculation. (see page 68)

Installation height above the cooking surface: 24"-36"

Telescopic flue for 8'-9' ceiling is standard. Optional flue extensions for 10'-11' ceiling

For more details see the product specifications sheet found at www.BESTRangeHoods.com