



Integrated Refrigeration Use & Care Guide



Contents

- 4 Integrated Features
- 5 Interactive Controls
- 6 Storage
- 10 Operation
- 13 Care Recommendations
- 14 Technical Data
- 16 Troubleshooting
- 19 Sub-Zero Warranty

Customer Care

The model and serial number are printed on the enclosed product registration card. Both numbers are also listed on the product rating plate. Refer to page 4 for rating plate location. For warranty purposes, you will also need the date of installation and name of your authorized Sub-Zero dealer. Record this information below for future reference.

If your product ever needs attention, be sure to use a Sub-Zero factory certified service provider recommended by our customer care center, or select one from our list of providers available at subzero.com/locator. All factory certified service providers are carefully selected and thoroughly trained by us.

SERVICE INFORMATION

Model Number

Serial Number

Date of Installation

Certified Service Name

Certified Service Number

Authorized Dealer

Dealer Number

Important Note

To ensure this product is installed and operated as safely and efficiently as possible, take note of the following types of highlighted information throughout this guide:

IMPORTANT NOTE highlights information that is especially important.

CAUTION indicates a situation where minor injury or product damage may occur if instructions are not followed.

WARNING states a hazard that may cause serious injury or death if precautions are not followed.

IMPORTANT NOTE: Throughout this guide, dimensions in parentheses are millimeters unless otherwise specified.

Thank You

Thank you for your purchase. We look forward to being part of your home for decades to come. As a third-generation family-owned company, we take a very personal stake in the preservation of your family's food. We built our business and our reputation on helping families serve the freshest food possible.

With your purchase, you receive one of the strongest warranties in the appliance industry. Take a moment to read the full warranty statement on page 19. It's also important to register your Sub-Zero to ensure that you don't miss out on exclusive owner benefits, such as; assurance that you will be taken care of in the unlikely event that service becomes necessary during the warranty period, and a proof-of-purchase record in case of a home insurance claim. You may register by one of the following options:

- Mail in the completed Sub-Zero product registration card.
- Register online at subzero.com/register and create a personalized My Sub-Zero/Wolf account using the serial number on your product.
- Register by phone by calling Sub-Zero Customer Care at 800-222-7820.

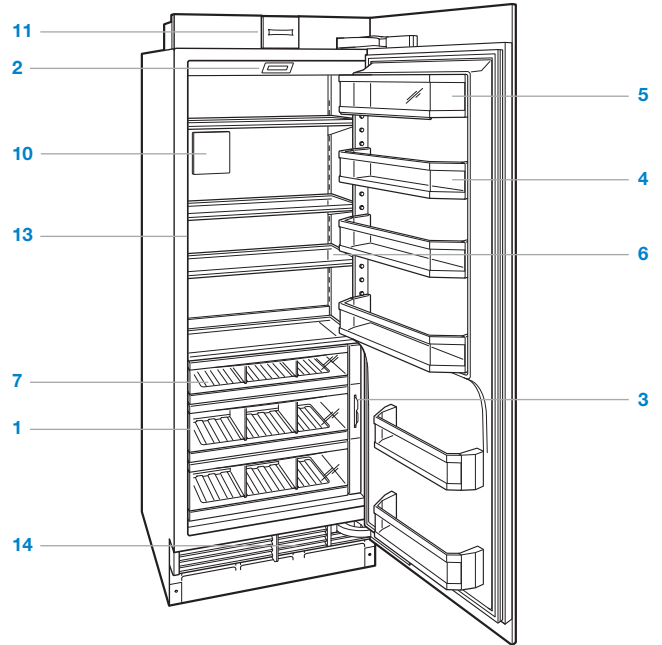
As a Sub-Zero owner, you can count on ongoing support, day in and day out. Our customer care center is available 24 hours a day, seven days a week and staffed by knowledgeable product experts at our factory in Madison, Wisconsin. Should the need arise, simply call 800-222-7820 and speak with one of our product experts. They will help troubleshoot any issues you might have.

We are confident this guide will answer your questions about the features, operation, and maintenance of your Sub-Zero, but if you have additional questions, please contact us at 800-222-7820 or visit us online at subzero.com.

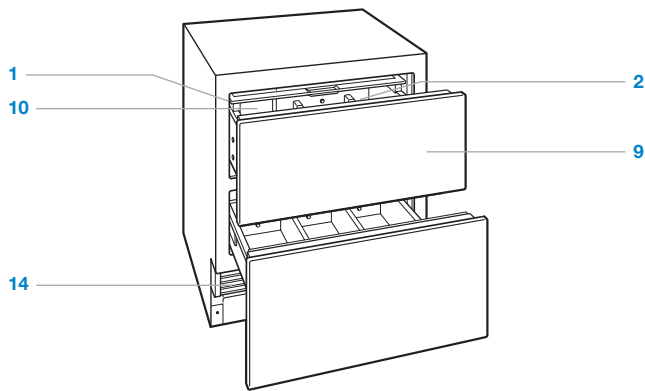


Integrated Features

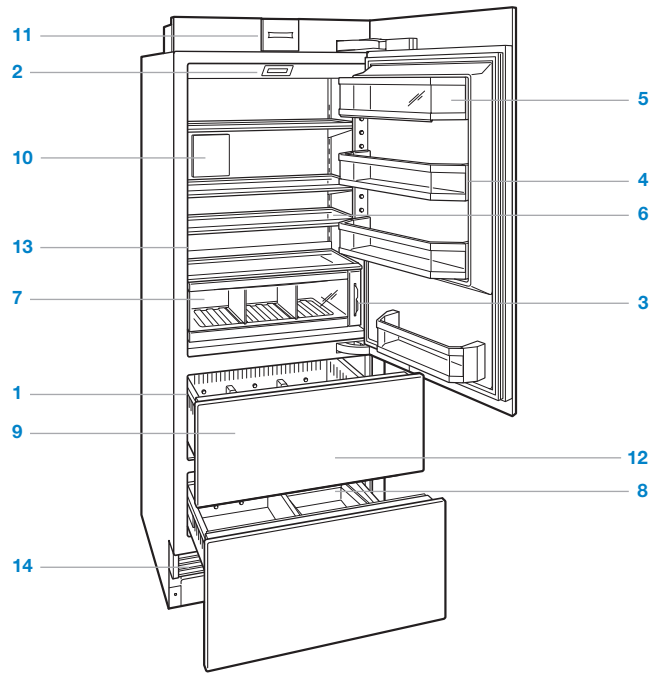
FEATURE	
1	Product Rating Plate
2	Interactive Control Panel
3	Freshness Cards
4	Door Shelves
5	Dairy Compartment
6	Glass Shelves
7	Refrigerator Drawers
8	Ice Container
9	Storage Drawers
10	Air Purification System
11	Water Filtration System
12	Automatic Ice Maker
13	Water Dispenser (dispenser models)
14	Condenser (behind grille)



Column all refrigerator.



Drawer all refrigerator.




Tall combination.

Interactive Control Panel

For initial start up, touch and hold 'power' on the control panel for 2 seconds.

Temperature can be adjusted in one-degree increments on the home screen. Combination units have separate temperature controls for refrigerator and freezer. Temperatures are preset at 38°F (3°C) and 0°F (-18°C). To change temperature, touch the temperature being adjusted, then press '+' or '-' until desired temperature is displayed. Refer to the illustration below.

Once temperature has been adjusted, additional features can be activated or deactivated from the options screen. Touch  to view the options screen. Refer to the illustration below.





Home screen.





Options screen.


OPTIONS SCREEN

-  Touch to activate or deactivate ice maker system and max ice feature.


-  Touch to activate or deactivate door/drawer alarm.


-  Touch to activate or deactivate water dispenser.


-  Touch to activate or deactivate air purification system.


-  Touch to view settings screen.


SETTINGS SCREEN


-  Touch to view model information.


-  Touch to select temperature unit, Fahrenheit or Celsius.


-  Touch to adjust control panel brightness and contrast.


-  Touch to adjust door/drawer alarm volume and pitch.


-  Touch to adjust door/drawer alarm duration.


-  Touch to enter Sabbath mode.

-  Touch to view troubleshooting and service information.

-  Touch to set clock.

-  Touch to select smart home options.

-  Touch to select language options.

-  Touch to adjust soft on lighting.

Keeping Food At Its Best

This Sub-Zero features a unique dual refrigeration system to keep food fresher longer.

With the Sub-Zero dual refrigeration system, individual refrigerator and freezer systems have been designed to maintain accurate, consistent temperatures and proper humidity levels for longer food life expectancy. Dual refrigeration eliminates transfer of fresh food odors to frozen food and ice and does not freeze the moisture out of the air in the fresh food section.

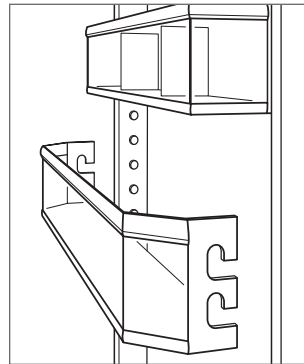
For handy tips and information on how to maximize food freshness, refer to the freshness cards stored in the refrigerator.

Refrigerator Storage

DOOR SHELVES

To remove a door shelf or the dairy compartment, lift from the bottom and slide out. To reinstall, place in the desired position and slide the shelf down onto the guides. Refer to the illustration below.

IMPORTANT NOTE: If door opening is limited to 90°, door shelves may need to be removed before removing a storage drawer or glass shelf.



Door shelf removal.

Refrigerator Storage

GLASS SHELVES

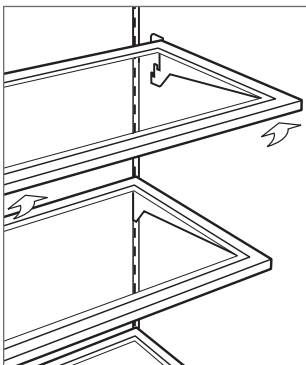
To remove or adjust a glass shelf, tilt up, then lift up and out. To reposition, insert shelf in the tracks along the back wall, then lower the front until it locks into position. Refer to the illustration below.

The stationary glass shelf at the bottom of the compartment should be placed with beveled edge facing front. Rear support legs space the shelf away from the back wall to ensure proper air flow through the unit.

IMPORTANT NOTE: Use care when handling glass shelves to prevent breakage or scratching the interior.

CAUTION

Glass shelves should warm to room temperature before immersing in warm water.

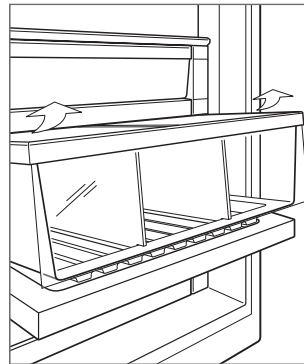


Glass shelf removal.

REFRIGERATOR DRAWERS

To remove a refrigerator drawer, pull open until the drawer stops. Lift the front of the drawer slightly and pull straight out. To reinstall, pull drawer carrier out and align the bottom of the drawer with the carrier. Refer to the illustration below.

Dividers in refrigerator drawers can be removed by pulling straight up. To replace, align tabs on the divider with notches in the drawer and push down.



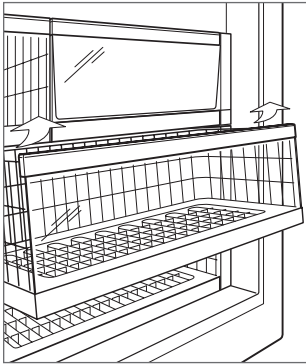
Refrigerator drawer removal.

Freezer Storage

FREEZER BASKETS

To remove, pull forward until basket stops. Pull the two plastic tabs located behind the bottom two corners of the basket forward, then lift up and out. Refer to the illustration below. To reinstall, push drawer slides in. Align the basket with slides and push back until it stops. Press down on the front of the basket to engage slides. Refer to the illustration below.

If door opening is limited to 90°, the top basket must be removed before removing the middle or lower basket.




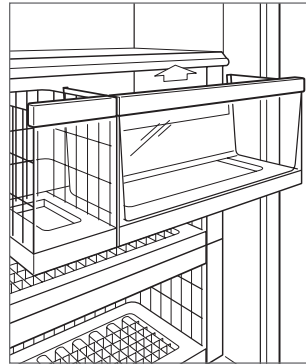
Freezer basket removal.

ICE CONTAINER

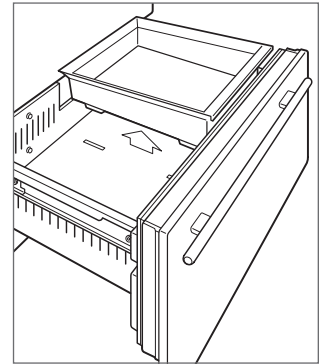
Column | To remove ice container, pull freezer drawer open until it stops and lift container out. To reinstall, pull drawer carrier out and align the bottom of the container with the carrier. Refer to the illustration below.

Tall and drawer | To remove ice container, pull freezer drawer open until it stops and lift container out. To reinstall, place in the drawer with tabs on the bottom of the container aligned with slots in the drawer. Refer to the illustration below.

The ice maker must be turned off by touching  when the ice storage container is removed. The unit is equipped with a 3-minute delay after the ice container is removed, to ensure cubes are not ejected before ice maker can be deactivated or ice container is reinstalled.



Column ice container.



Tall and drawer ice container.

Storage Drawers

CRISPER COVER

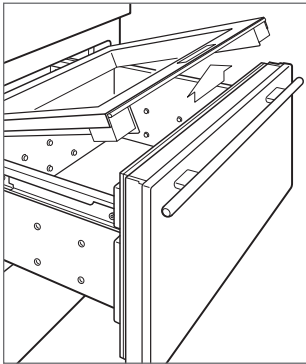
The crisper cover in the upper storage drawer can be slid closed or left open.

To remove, pull the upper drawer all the way out, raise the front edge of the crisper cover and pull it forward out of the drawer. Refer to the illustration below.

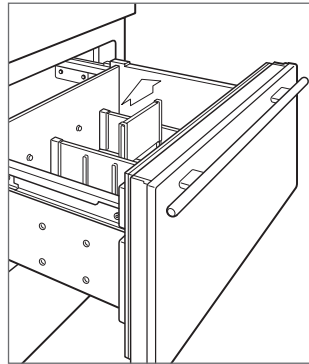
DRAWER DIVIDERS

To remove or adjust a short divider, flex the long divider slightly, then pull upward. Refer to the illustration below.

To remove a long divider, the short dividers must be removed. Pull divider up until it stops, rotate counterclockwise, then pull upward. To reinstall, align grooves with drawer tabs, rotate clockwise, then slide down.



Crisper cover.

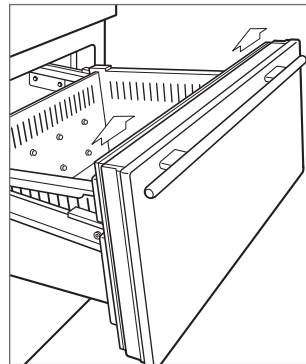


Drawer dividers.

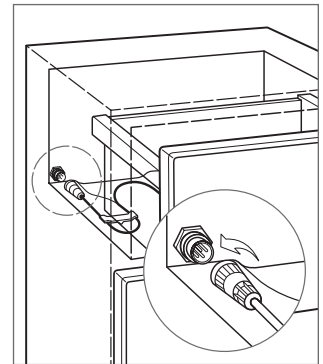
DRAWER REMOVAL

To remove, pull open until drawer stops. Raise the drawer front and pull out drawer. To reinstall, raise the front of drawer and place onto the slides. Align the back of the drawer with hooks on the slide, then align the white pegs at the front of the slide with holes at the front of the drawer. Refer to the illustration below.

IMPORTANT NOTE: For drawer models, the upper drawer has a control cable that must be disconnected before removing the drawer. Refer to the illustration below.



Drawer removal.



Control cable (drawers).

Air Purification System

The advanced air purification system of Sub-Zero integrated models reduces bacteria, odors and ethylene gas, which causes premature ripening in fruits and vegetables. If your unit is equipped with an air purification system, the cartridge has been factory installed and is located on the back wall of the refrigerator (back of upper drawer for drawer models).

To initiate air purification, touch  on the options screen.

The cartridge will last approximately one year. 'Change Air Purifier' will appear on the control panel when the cartridge needs to be replaced. Touch 'Snooze' to delay reminder for 24 hours or until cartridge can be replaced.

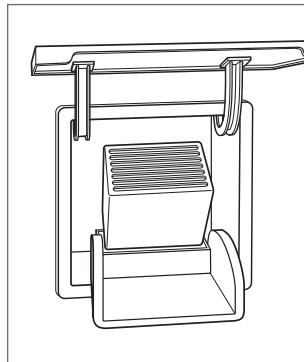
Replacement Sub-Zero air purification cartridges can be ordered online at subzerowolfstore.com. For questions, contact Sub-Zero customer care at 800-222-7820.

⚠ CAUTION

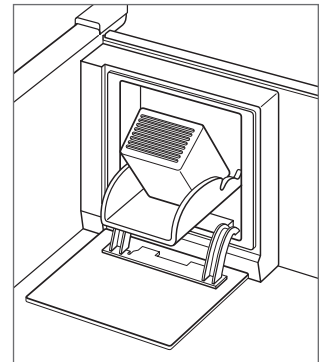
The air purification system complies with applicable Federal requirements regarding incidental exposure to ultraviolet light. Lamp contains mercury. Manage in accordance with disposal laws. Visit earth911.com or call 800-222-7820.

AIR PURIFICATION CARTRIDGE REPLACEMENT

- 1 To access the air purification cartridge, grasp the outside cover from the bottom and rotate upward (top and rotate downward for drawers). Refer to the illustrations below.
- 2 Grasp the black cover from the top and rotate downward. The cartridge will pop out and can be removed.
- 3 Remove the new cartridge from packaging and insert with connector pointing downward.
- 4 Once in position, close the black cover. Then rotate the outside cover downward (upward for drawers).
- 5 Once the cartridge has been replaced, follow instructions on the control panel. The cartridge life cycle will reset for approximately one year.



Air purification cartridge (column and tall).



Air purification cartridge (drawers).

Water Filtration System

The water filtration system of Sub-Zero integrated models supplies filtered water to the ice maker and water dispenser (dispenser models) to produce great-tasting water and ice.

IMPORTANT NOTE: When using the water filtration system for the first time and after filter replacement, it is necessary to clear any air from the system and allow the filter to assist in cleaning the water lines. For non-dispenser models, discard the first two full containers of ice. For dispenser models, dispense several glasses of water for a period of two minutes.

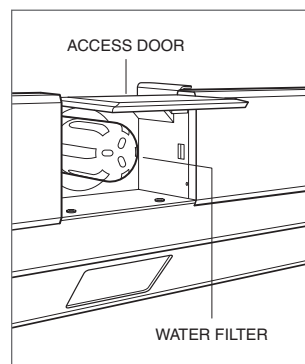
If the water filtration system will not be utilized, it can be placed in water filter bypass mode by removing the filter.

The filter is rated for 750 gallons (2839 L) or one year, whichever comes first. 'Change Water Filter' will appear on the control panel when the cartridge needs to be replaced. Touch 'Snooze' to delay reminder for 24 hours or until filter can be replaced.

Replacement Sub-Zero water filters can be ordered online at subzerowolfstore.com. For questions, contact Sub-Zero customer care at 800-222-7820.



WATER FILTER REPLACEMENT

- 1 To access the water filter, pull out on the bottom edge of the access door and rotate upward. Refer to the illustration below.
- 2 To remove the old filter, rotate counterclockwise one-quarter turn, then pull out. It is normal for a small amount of water to drip when the filter is removed. It should be wiped up with a paper towel or cloth.
- 3 Remove the new filter from packaging and remove plastic cap.
- 4 Insert the new filter into the manifold and turn clockwise.
- 5 Once the new filter has been installed, follow instructions on the control panel. The filter life cycle will reset for approximately one year.




Water filter removal.

Ice Maker Operation


To initiate ice production, touch the  indicator on the options screen. A single highlighted cube indicates the ice maker is active. Three highlighted cubes indicate the max ice feature is active. Max ice increases ice production up to 30% for a 24-hour period. During that period, some components may run at a higher speed resulting in a unique audible tone. This is typical and will revert back after 24 hours or when the ice container is full. To deactivate the ice maker, touch  until no cubes are highlighted. After initial start-up, discard the first few batches of ice. The ice may contain impurities from new plumbing connections.

If ice is not used regularly it may fuse together. To avoid, discard ice and allow ice maker to replenish.

The ice maker must be turned off by touching  when the ice storage container is removed. The unit is equipped with a 3-minute delay after the ice container has been removed, to ensure cubes are not ejected before the ice maker can be deactivated or ice container is reinstalled.

Sabbath

This appliance is certified by Star-K to meet strict religious regulations in conjunction with specific instructions found on www.star-k.org.

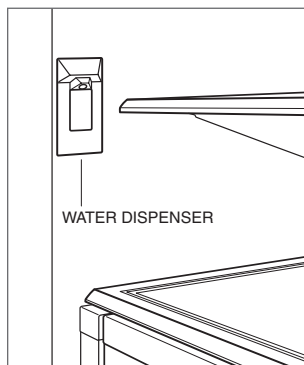
For Sabbath mode, from the settings screen, touch  and follow instructions on the control panel.

Water Dispenser

The water dispenser is located inside the refrigerator on the left wall. Press a glass against the dispenser to activate water flow. Water flow will stop when the glass is pulled away. Refer to the illustration below.

The chilled water reservoir tank holds approximately 40 oz (1.2 L) of filtered water. It may take several hours to chill the water to refrigerator temperature during the original fill and after a large amount of water is dispensed.

To fill the tank, press a glass against the dispenser until water begins to flow. A safety feature was incorporated into the dispenser to limit continuous water flow to 60 seconds. If water does not dispense within 60 seconds, remove the glass, then reapply to the dispenser until water begins to flow. Once the tank is full, discard the first few glasses of water. It may contain impurities from new plumbing connections.



Water dispenser.

Cleaning

INTERIOR CLEANING

To clean interior surfaces and all removable parts, wash with a mild solution of soap, water and baking soda. Rinse and dry thoroughly. Avoid getting water on lights and control panel.

⚠ CAUTION

Do not use vinegar, rubbing alcohol or other alcohol-based cleaners on any interior surface.

STAINLESS STEEL EXTERIOR

Use a nonabrasive stainless steel cleaner and apply with a soft lint-free cloth. To bring out the natural luster, lightly wipe surface with a water-dampened microfiber cloth followed by a dry polishing chamois. Always follow the grain of stainless steel.

CONDENSER CLEANING

⚠ CAUTION

Before cleaning the condenser, turn power off at the control panel. Wear gloves to avoid injury from sharp condenser fins.

The condenser is located behind the grille. Remove the kickplate by extracting the two mounting screws. Refer to the illustration below. Use a soft bristle brush and vacuum to remove dust and lint from the condenser. Clean the condenser every three to six months.

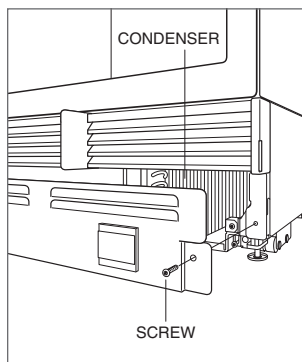
IMPORTANT NOTE: To avoid damaging condenser fins, vacuum in the direction of the fins.

⚠ CAUTION

Failure to clean the condenser could result in temperature loss, mechanical failure or damage.

VACATIONS

For extended vacations, turn power off at the control panel. Empty the unit and block doors open slightly to let fresh air in and keep interior dry. Water filter should be replaced before start up.



Condenser location.

Sub-Zero Water Filtration System Data

REPLACEMENT CARTRIDGE (4204490)



Tested and certified by NSF International against NSF/ANSI Standard 42 for the reduction of Chlorine Taste & Odor, Particulate Class I; and against NSF/ANSI Standard 53 for the reduction of Lead, Mercury, Atrazine, Benzene, Carbofuran, 1,4-dichlorobenzene, Lindane, Toxaphene, Turbidity, Cysts and Asbestos.

This system has been tested according to NSF/ANSI 42/53 for reduction of the substances listed below. The concentration of the indicated substances in water entering the system was reduced to a concentration less than or equal to the permissible limit for water leaving the system, as specified in NSF/ANSI 42/53.

OPERATING SPECIFICATIONS

Capacity: certified for up to 750 gallons (2,838 L); up to twelve months
 Pressure Requirement: 35 – 120 psi (2.8 – 8.2 bar)
 Temperature: 33 – 100°F (0.6 – 38°C)
 Flow Rate: 0.78 gpm (2.9 Lpm)

Substance	NSF Standard	Influent Challenge Concentration	Average Influent Concentration	Product Water Concentration		% Reduction		Max Permissible Product Water Concentration
				Average	Max Effluent	Average	Minimum	
Chlorine, Taste & Odor	42	2.0 mg/L ± 10%	1.88 mg/L	0.05 mg/L	0.06 mg/L	97.34%	96.80%	≥ 50%
Particulate	42	At least 10,000 particles/ml	5,700,000/ml	30,583/ml	69,000/ml	99.46%	98.78%	≥ 85%
Lead at pH 6.5	53	0.15 mg/L ± 10%	0.153 mg/L	<0.001 mg/L	<0.001 mg/L	99.34%	99.34%	0.010 mg/L
Lead at pH 8.5	53	0.15 mg/L ± 10%	0.150 mg/L	<0.001 mg/L	<0.001 mg/L	99.33%	99.33%	0.010 mg/L
Mercury at pH 6.5	53	0.006 mg/L ± 10%	0.006 mg/L	0.0003 mg/L	0.0005 mg/L	95.00%	91.66%	0.002 mg/L
Mercury at pH 8.5	53	0.006 mg/L ± 10%	0.006 mg/L	0.0008 mg/L	0.0015 mg/L	86.66%	75.00%	0.002 mg/L
Atrazine	53	0.009 mg/L ± 10%	0.009 mg/L	<0.002 mg/L	<0.002 mg/L	77.77%	77.77%	0.003 mg/L
Benzene	53	0.015 mg/L ± 10%	0.014 mg/L	0.0006 mg/L	0.0011 mg/L	95.71%	92.14%	0.005 mg/L
Carbofuran	53	0.08 mg/L ± 10%	0.081 mg/L	<0.001 mg/L	<0.001 mg/L	98.76%	98.76%	0.04 mg/L
1,4-dichlorobenzene	53	0.225 mg/L ± 10%	0.208 mg/L	<0.0005 mg/L	<0.0005 mg/L	99.75%	99.75%	0.075 mg/L
Lindane	53	0.002 mg/L ± 10%	0.002 mg/L	0.00003 mg/L	0.00007 mg/L	98.50%	96.50%	0.0002 mg/L
Toxaphene	53	0.015 mg/L ± 10%	0.015 mg/L	<0.001 mg/L	<0.001 mg/L	93.33%	93.33%	0.003 mg/L
Turbidity	53	11 ± 1 NTU	10.7 NTU	0.31 NTU	0.49 NTU	97.10%	95.42%	0.5 NTU
Cysts**	53	Minimum 50,000/L	166,500/L	<1/L	<1/L	>99.99%	>99.99%	>99.95%
Asbestos	53	10 ⁷ to 10 ⁸ fibers/L [†]	155 MF/L	<1 MF/L	<1 MF/L	>99.99%	>99.99%	>99%

**Based on the use of *Cryptosporidium Parvum* oocysts † Fibers greater than 10 µm in length

SPECIAL NOTES

- Replacement Sub-Zero water filter cartridges can be ordered online at subzerowolfstore.com. For questions, contact Sub-Zero customer care at 800-222-7820.
- Change filter cartridge at least every twelve months. High sediment areas may require more frequent filter cartridge replacement.
- Installation and operation instructions, parts and service availability, and standard warranty are included with the product when shipped.
- Replace water filter cartridge when the filter indicator is lit or when water flow becomes too low. Use replacement water filter cartridge part number 4204490. Replacement filter pricing information can be found at subzero.com.
- Do not use with water that is microbiologically unsafe or of unknown water quality without adequate disinfection before or after the system.
- Systems certified for cyst reduction may be used on disinfected waters that may contain filterable cysts.
- This system must be installed, operated, maintained and filters replaced as required in order for the product to perform as advertised.
- Note that while the testing was performed under standard laboratory conditions, actual performance may vary. The contaminants or other substances removed or reduced by this water treatment system are not necessarily in your water.

Manufactured for: Sub-Zero, Inc., P.O. Box 44848, Madison, WI 53744, 800-222-7820

State of California
Department of Public Health
Water Treatment Device
Certificate Number
05 - 1708

Date Issued: April 18, 2010

Trademark/Model Designation

Sub-Zero 4290510

Replacement Elements

4204490

Manufacturer: 3M Purification Inc.

The water treatment device(s) listed on this certificate have met the testing requirements pursuant to Section 116830 of the Health and Safety Code for the following health related contaminants:

Microbiological Contaminants and Turbidity

Cysts
Turbidity

Inorganic/Radiological Contaminants

Asbestos
Lead
Mercury

Organic Contaminants

Atrazine
Benzene
Carbofuran
Lindane
p-dichlorobenzene
Toxaphene

Rated Service Capacity: 750 gals

Rated Service Flow: 0.78 gpm

Conditions of Certification:

Do not use where water is microbiologically unsafe or with water of unknown quality, except that systems certified for cyst reduction may be used on disinfected waters that may contain filterable cysts.

Troubleshooting

UNIT OPERATION

No lights or cooling.

- Verify power is on.
- Verify electrical power to unit and home circuit breaker is on.

No lights in refrigerator or freezer.

- Door/drawer may have been left ajar which has disabled lights to eliminate excess heat. If lights are out, close door/drawer for one hour. If lights are still out, contact Sub-Zero factory certified service.
- LED interior lighting must be replaced by Sub-Zero factory certified service.

Frost, condensation or ice build up inside unit.

- Verify condenser is clean.
- Verify door/drawer is closing properly.
- Verify door/drawer has not been left ajar.
- Verify door/drawer gasket does not have rips or tears. If it does, contact Sub-Zero factory certified service.
- If icing is heavy, turn unit off and use a hair dryer to melt ice. Hair dryer should be set on low and kept moving at all times. Once ice has melted, wipe up water with a cloth or paper towel.

High temperatures, unit runs excessively or unit giving off too much heat.

- Verify condenser is clean.
- Verify door/drawer is closing properly.
- Verify door/drawer has not been left ajar.
- Increased ambient temperatures may cause compressors to run longer.
- If temperature display shows 38° and 0°, but is not cooling, unit may be in showroom mode. Contact Sub-Zero Customer Care at 800-222-7820.

No water from dispenser.

- Wait one hour, then try dispenser again. Contact Sub-Zero Customer Care at 800-222-7820 if unresolved.

Troubleshooting

ICE PRODUCTION

No ice.

- Verify ice cube indicator appears in control panel display.
- Verify ice maker has been on for at least 24 hours.
- Verify freezer temperature near 0°F.
- Verify ice container is properly installed.
- Verify ice maker arm in down position.
- Verify water is being supplied to unit.
- Verify water filter has been replaced within the last 12 months and installed properly.
- Verify water filter has been removed if a reverse osmosis filtration system is being utilized.

Blue or green ice.

- Possible copper supply line corrosion. Contact plumber to clean or replace.

Black flecks in cubes.

- Stop use and contact Sub-Zero factory certified service.

Bad taste.

- Defrost freezer and clean with soap and water.
- Place coffee grounds or charcoal briquettes in freezer to absorb odor.

Hollow cubes.

- Clean condenser. Contact Sub-Zero factory certified service if unresolved.

ODOR

- Unit should be cleaned before using for the first time. This will clear any odors that may have been trapped during shipping.
- Replace air purification cartridge.
- Clean unit and shelving thoroughly.
- Uncovered food could create odor which may require cleaning.

Troubleshooting

SERVICE

- Maintain the quality built into your product by contacting Sub-Zero factory certified service. For the name of the nearest Sub-Zero factory certified service, check the contact & support section of our website, subzero.com or call Sub-Zero customer care at 800-222-7820.
- When contacting service, you will need the model and serial number of your unit. Both numbers are listed on the product rating plate. Refer to page 4 for rating plate location.
- For warranty purposes, you will also need the date of installation and name of your authorized Sub-Zero dealer. This information should be recorded on page 2.

Sub-Zero Residential Limited Warranty

FOR RESIDENTIAL USE

FULL TWO YEAR WARRANTY*

For two years from the date of original installation, this Sub-Zero product warranty covers all parts and labor to repair or replace, under normal residential use, any part of the product that proves to be defective in materials or workmanship. All service provided by Sub-Zero under the above warranty must be performed by Sub-Zero factory certified service, unless otherwise specified by Sub-Zero, Inc. Service will be provided during normal business hours.

FULL FIVE YEAR SEALED SYSTEM WARRANTY

For five years from the date of original installation, this Sub-Zero product warranty covers all parts and labor to repair or replace, under normal residential use, these parts that prove to be defective in materials or workmanship: compressor, condenser, evaporator, drier and all connecting tubing. All service provided by Sub-Zero under the above warranty must be performed by Sub-Zero factory certified service, unless otherwise specified by Sub-Zero, Inc. Service will be provided during normal business hours.

LIMITED TWELVE YEAR SEALED SYSTEM WARRANTY

For twelve years from the date of original installation, Sub-Zero will repair or replace the following parts that prove to be defective in materials or workmanship: compressor, condenser, evaporator, drier and all connecting tubing. If the owner uses Sub-Zero factory certified service, the service provider will repair or replace these parts with the owner paying for all other costs, including labor. If the owner uses non-certified service, the owner must contact Sub-Zero, Inc. (using the information below) to receive repaired or replacement parts. Sub-Zero will not reimburse the owner for parts purchased from non-certified service or other sources.

TERMS APPLICABLE TO EACH WARRANTY

The warranty applies only to products installed for normal residential use. The warranty applies only to products installed in any one of the fifty states of the United States, the District of Columbia or the ten provinces of Canada. This warranty does not cover any parts or labor to correct any defect caused by negligence, accident or improper use, maintenance, installation, service or repair.

THE REMEDIES DESCRIBED ABOVE FOR EACH WARRANTY ARE THE ONLY ONES THAT SUB-ZERO, INC. WILL PROVIDE, EITHER UNDER THIS WARRANTY OR UNDER ANY WARRANTY ARISING BY OPERATION OF LAW. SUB-ZERO, INC. WILL NOT BE RESPONSIBLE FOR ANY CONSEQUENTIAL OR INCIDENTAL DAMAGES ARISING FROM THE BREACH OF THIS WARRANTY OR ANY OTHER WARRANTY, WHETHER EXPRESS, IMPLIED OR STATUTORY.

Some states do not allow the exclusion or limitation of incidental or consequential damages, so the above limitation or exclusion may not apply to you. This warranty gives you specific legal rights and you may also have other legal rights that vary from state to state.

To receive parts and/or service and the name of Sub-Zero factory certified service nearest you, contact Sub-Zero, Inc., P.O. Box 44848, Madison, WI 53744; check the contact & support section of our website, subzero.com, email us at customerservice@subzero.com or call 800-222-7820.

*Stainless steel (doors, panels, handles, product frames and interior surfaces) are covered by a limited 60-day parts and labor warranty for cosmetic defects.

*Replacement water filters and air purification cartridges are not covered by the product warranty.



Contenido

- 4 Funciones integradas
- 5 Controles interactivos
- 6 Almacenamiento
- 10 Operación
- 13 Recomendaciones de cuidado
- 14 Datos técnicos
- 16 Resolución de problemas
- 19 Garantía de Sub-Zero

Atención al cliente

El modelo y número de serie están impresos en la tarjeta de registro del producto adjunta. Los dos números también aparecen en la placa de datos del producto. Consulte la página 4 para encontrar la placa de datos. Para fines de la garantía, usted también necesitará la fecha de instalación y el nombre de su distribuidor autorizado de Sub-Zero. Anote esta información abajo para referencia futura.

Si su producto alguna vez necesita servicio, asegúrese de usar un proveedor de servicios certificado por Sub-Zero y recomendado por nuestro centro de atención al cliente, o seleccione uno de nuestra lista de proveedores disponibles en subzero.com/locator. Todos los proveedores de servicio certificados de fábrica han sido cuidadosamente seleccionados y entrenados a fondo por nosotros.

INFORMACIÓN PARA SERVICIO

Número de modelo

Número de serie

Fecha de instalación

Nombre de servicio certificado

Número de servicio certificado

Distribuidor autorizado

Número de distribuidor

Aviso importante

Para garantizar que este producto sea instalado y operado de la forma más segura y eficiente posible, tome nota de los siguientes tipos de información resaltada en esta guía:

AVISO IMPORTANTE resalta la información que es especialmente importante.

PRECAUCIÓN indica una situación en la que se pueden sufrir heridas leves o provocar daños al producto si no se siguen las instrucciones.

ADVERTENCIA indica peligro de que se produzcan heridas graves o incluso la muerte si no se siguen las precauciones.

AVISO IMPORTANTE: En toda esta guía, las dimensiones entre paréntesis son milímetros, a menos que se especifique lo contrario.

Gracias

Muchas gracias por su compra. Esperamos poder ser parte de su hogar durante las décadas venideras. Como una empresa familiar de tercera generación, tenemos un interés muy personal en conservar los alimentos de su familia. Hemos construido nuestro negocio y nuestra reputación al ayudar a las familias a servir la comida más fresca posible.

Con su compra, usted recibe una de las garantías más sólidas en la industria de los electrodomésticos. Lea la declaración de garantía completa de la página 19. También es importante que registre su Sub-Zero para asegurarse de no perder los beneficios de propietario exclusivo, como por ejemplo, la garantía de que va a recibir atención en el improbable caso de que necesite servicio durante el periodo de garantía, y un registro de prueba de compra en caso de una reclamación sobre el seguro de vivienda. Puede registrarse mediante una de las siguientes opciones:

- Envíe la tarjeta de registro del producto completada a Sub-Zero.
- Regístrese en línea en subzero.com/register y cree una cuenta personal en My Sub-Zero/Wolf con el número de serie de su producto.
- Regístrese por teléfono llamando a la línea de atención al cliente de Sub-Zero al 800-222-7820.

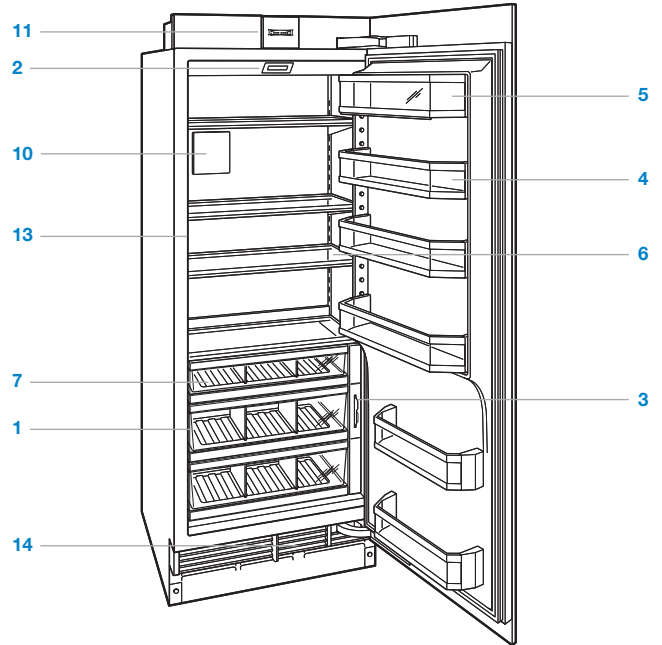
Como propietario de un Sub-Zero, puede contar con soporte técnico constante, día tras día. Nuestro centro de atención al cliente está disponible 24 horas al día, los siete días a la semana, y compuesto por expertos conocedores del producto en nuestra fábrica en Madison, Wisconsin. En caso necesario, simplemente llame al 800-222-7820 y hable con uno de los expertos de nuestros productos. Ellos le ayudarán a solucionar cualquier problema que pueda tener.

Estamos seguros de que esta guía contestará sus preguntas acerca de las características, funcionamiento y mantenimiento de su Sub-Zero, pero si usted tiene preguntas adicionales, por favor póngase en contacto con nosotros en el 800-222-7820 o visítenos en línea en subzero.com.

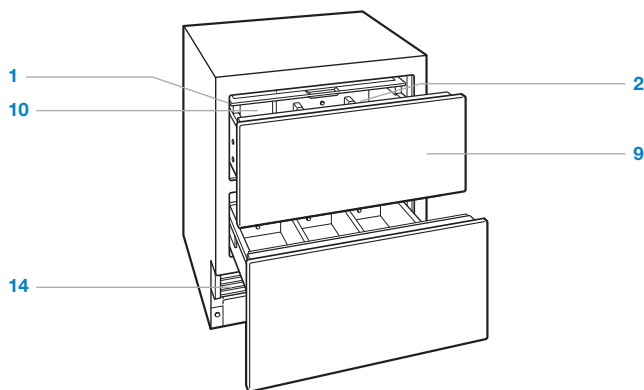


Funciones integradas

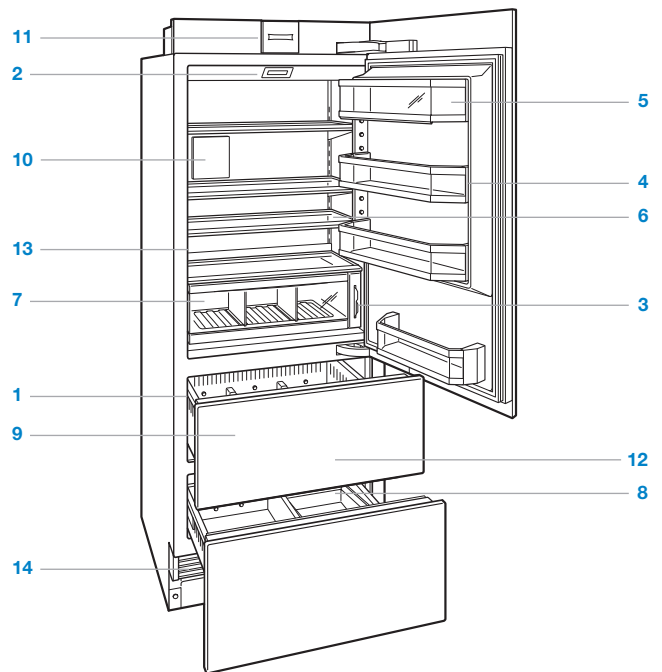
CARACTERÍSTICA	
1	Placa de datos del producto
2	Panel de control interactivo
3	Tarjetas de frescura
4	Estantes de la puerta
5	Compartimento para lácteos
6	Estantes de cristal
7	Cajones de almacenamiento del refrigerador
8	Contenedor de hielo
9	Cajones de almacenamiento
10	Sistema de purificación de aire
11	Sistema de filtrado de agua
12	Fábrica automática de hielo
13	Dispensador de agua (modelos con dispensador)
14	Condensador (detrás de la rejilla)



Refrigerador todo de columna.



Refrigerador todo de cajones.



Refrigerador alto de combinación

Panel de control interactivo

Para la puesta en marcha inicial, toque y mantenga presionado el botón "power" (encendido) en el panel de control durante 2 segundos.

La temperatura puede ajustarse en incrementos de un grado desde la pantalla de inicio. Las unidades combinadas tienen diferentes controles de temperatura para el refrigerador y el congelador. Temperaturas prefijadas en 38°F (3°C) y 0°F (-18°C). Para cambiar la temperatura, toque la temperatura que desea ajustar, luego presione "+" o "-" hasta que aparezca la temperatura deseada. Consulte la siguiente ilustración.

Una vez que ha ajustado la temperatura, puede activar o desactivar otras funciones desde la pantalla de ajustes. Toque ► para ver la pantalla de opciones. Consulte la siguiente ilustración.





Pantalla de inicio.





Pantalla de opciones.


PANTALLA DE OPCIONES

-  Toque para activar o desactivar el sistema de fabricación de hielo y la función max ice.


-  Toque para activar o desactivar la alarma de la puerta o del cajón.


-  Toque para activar o desactivar el dispensador de agua.


-  Toque para activar o desactivar el sistema de purificación de aire.


-  Toque para ver la pantalla de ajustes.


PANTALLA DE AJUSTES


-  Toque para ver la información del modelo.


-  Toque para seleccionar la unidad de temperatura, Fahrenheit o Celsius.


-  Toque para ajustar el brillo y contraste del panel de control.


-  Toque para ajustar el volumen y tono de la alarma de la puerta/del cajón.


-  Toque para ajustar la duración de la alarma de la puerta/del cajón.


-  Toque para iniciar el modo Sabbath.

-  Toque para ver cómo solucionar problemas y la información del servicio técnico.

-  Toque para programar el reloj.

-  Toque para seleccionar opciones de inicio inteligente.

-  Toque para seleccionar opciones de idioma.

-  Toque para ajustar la luz de acento suave.

Conservación de los alimentos frescos

Esta unidad Sub-Zero incorpora un exclusivo sistema de refrigeración doble para mantener los alimentos frescos durante más tiempo.

Con el sistema de refrigeración doble de Sub-Zero, los sistemas individuales del refrigerador y el congelador han sido diseñados para mantener una temperatura precisa y constante, así como niveles de humedad adecuados para que los alimentos se conserven durante más tiempo. La refrigeración doble elimina la transferencia de olores de los alimentos frescos a los congelados o al hielo y no congela la humedad presente en el aire en la sección de alimentos frescos.

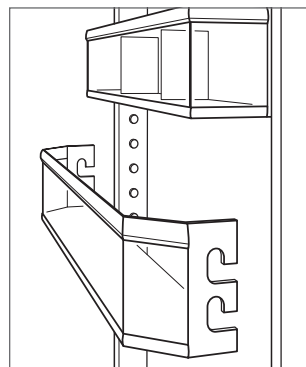
Para obtener sugerencias útiles e información sobre cómo maximizar la frescura de los alimentos, consulte las tarjetas de frescura almacenadas en el refrigerador.

Almacenamiento en el refrigerador

ESTANTES DE LA PUERTA

Para extraer un estante de la puerta o el compartimento para lácteos, levántelo y jálalo desde la parte inferior y deslícelo hacia afuera. Para volver a instalarlo, colóquelo en la posición deseada y deslice el estante en las guías. Consulte la siguiente ilustración.

AVISO IMPORTANTE: Si la apertura de la puerta está limitada a 90°, puede ser necesario extraer los estantes antes de extraer un cajón o estante de cristal.



Extracción de los estantes de la puerta.

Almacenamiento en el refrigerador

ESTANTES DE CRISTAL

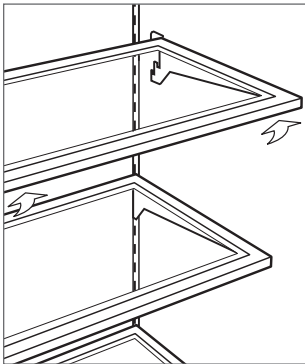
Para extraer o ajustar un estante de cristal, inclínelo hacia arriba, luego levántelo hacia arriba y hacia afuera. Para volver a colocarlo, inserte el estante en las guías que corren a lo largo de la pared posterior, luego baje la parte delantera hasta que encaje en su posición. Consulte la siguiente ilustración.

El estante de cristal fijo en la parte baja del compartimiento debe colocarse con el borde biselado hacia el frente. Las patas traseras de soporte separan el estante de la pared posterior para garantizar el correcto flujo de aire en toda la unidad.

AVISO IMPORTANTE: Tenga cuidado al manipular los estantes de cristal para evitar que se rompan o que rayen el interior.

⚠ PRECAUCIÓN

Debe dejar que los estantes de cristal alcancen la temperatura ambiente antes de sumergirlos en agua tibia.

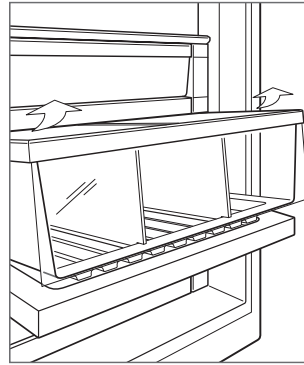


Extracción de los estantes de cristal.

CAJONES DE ALMACENAMIENTO DEL REFRIGERADOR

Para extraer un cajón del refrigerador, jalándolo hasta que llegue al tope. Levante ligeramente el cajón por la parte delantera y jálelo hacia adelante. Para instalar nuevamente el cajón, saque el soporte del cajón y alinee la parte inferior del cajón con el soporte. Consulte la siguiente ilustración.

Los divisores de los cajones del refrigerador se pueden extraer jalándolos hacia arriba. Para volver a colocarlos, alinee las pestañas del divisor con las muescas en el cajón y presiónelo hacia abajo.



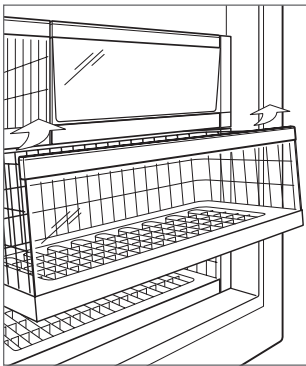
Extracción de los cajones del refrigerador.

Almacenamiento del congelador

CESTAS DEL CONGELADOR

Para extraer, jale la cesta hasta que llegue al tope. Jale las dos pestañas de plástico que se encuentran detrás de las dos esquinas inferiores de la cesta, luego levántelas hacia arriba y hacia afuera. Consulte la siguiente ilustración. Para volver a instalarla, empuje las guías de la cesta hacia adentro. Alinee la cesta con las guías y empuje hasta que se detenga. Presione hacia abajo en la parte delantera de la cesta para enganchar las carretillas. Consulte la siguiente ilustración.

Si la apertura de la puerta está limitada a 90°, debe quitar la cesta superior antes de extraer las cestas intermedia o inferior.




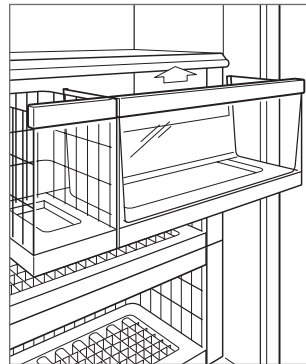
Extracción de la cesta del congelador.

CONTENEDOR DE HIELO

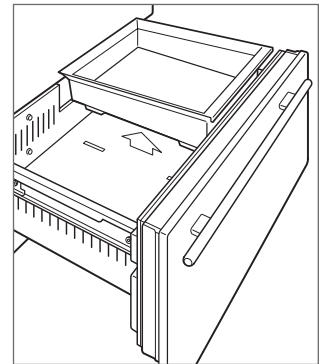
Columna | Para extraer el contenedor de hielo, abra el cajón del congelador hasta que llegue al tope y levante el contenedor hacia afuera. Para instalar nuevamente, saque el soporte del cajón y alinee la parte inferior del contenedor con el soporte. Consulte la siguiente ilustración.

Alto y cajón | Para extraer el contenedor de hielo, abra el cajón del congelador hasta que llegue al tope y levante el contenedor hacia afuera. Para instalar nuevamente, coloque el cajón con pestañas en la parte inferior del contenedor alineadas con las ranuras en el cajón. Consulte la siguiente ilustración.

La fábrica de hielo debe apagarse al tocar  cuando se extraiga el contenedor de almacenamiento de hielo. La unidad está equipada con un tiempo de espera de 3 minutos que empieza después de extraer el contenedor de hielo, para garantizar que los cubos no salgan expulsados antes de poder desactivar la fábrica de hielo o volver a instalar el contenedor de hielo.



Contenedor de hielo para modelos de columna.



Contenedor de hielo para modelos altos y de cajón.

Cajones de almacenamiento

CUBIERTA PARA CONTROL DE HUMEDAD

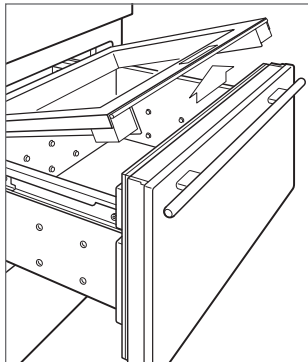
La cubierta para control de humedad en el cajón de almacenamiento superior se puede cerrar o dejar abierta.

Para extraerla, abra por completo el cajón superior, levante el borde frontal de la cubierta para control de humedad y júlela hacia afuera del cajón. Consulte la siguiente ilustración.

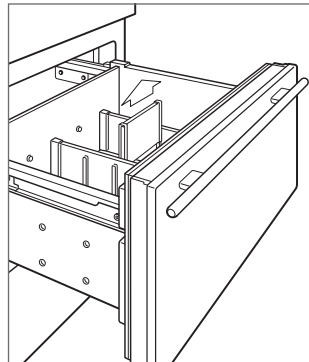
DIVISORES DE CAJONES

Para extraer o ajustar un divisor corto, flexione un poco el divisor largo, luego júlelo hacia arriba. Consulte la siguiente ilustración.

Para extraer un divisor largo, debe extraer los divisores cortos. Jale el divisor hacia arriba hasta que llegue al tope, gire en sentido opuesto a las manecillas del reloj y júlelo hacia arriba. Para volver a instalarlo, alinee las ranuras con las pestañas del cajón, gire hacia la derecha, después deslícelo hacia abajo.



Cubierta para control de humedad.

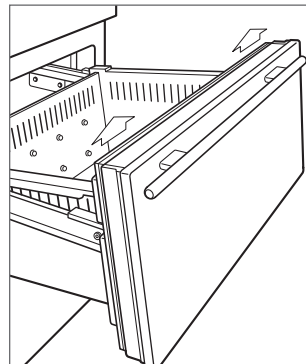


Divisores de cajones.

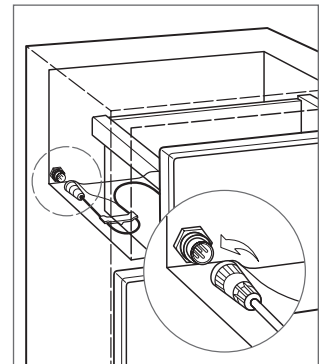
EXTRACCIÓN DEL CAJÓN

Para extraer, júlelo hasta que llegue al tope. Levante el frente del cajón y júlelo hacia afuera. Para volver a instalarlo, levante la parte frontal del cajón y colóquelo sobre los rieles. Alinee el fondo del cajón con los ganchos de los rieles, luego alinee las clavijas blancas que se encuentran al frente de la carretilla con los orificios que se encuentran al frente del cajón. Consulte la siguiente ilustración.

AVISO IMPORTANTE: Para los modelos con cajones, el cajón superior tiene un cable de control que debe desconectarse antes de retirar el cajón. Consulte la siguiente ilustración.




Extracción del cajón.



Cable de control (cajones).

Sistema de purificación de aire

El avanzado sistema de purificación de aire de los modelos integrados de Sub-Zero reduce las bacterias, los olores e incluso el gas etileno, que provoca la maduración prematura de frutas y verduras. Si su unidad está equipada con un sistema de purificación de aire, el cartucho viene instalado de fábrica y está situado en la pared posterior del refrigerador (atrás del cajón superior para los modelos de cajón).

Para iniciar la purificación del aire toque  en la pantalla de opciones.

El cartucho dura aproximadamente un año. El mensaje "Change Air Purifier" (Reemplace el purificador de aire) aparecerá en el panel de control cuando sea necesario reemplazar el cartucho. Toque "Snooze" (Posponer) para retrasar el recordatorio durante 24 horas o hasta que el cartucho se pueda sustituir.

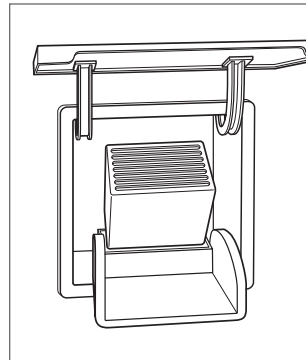
Puede ordenar los cartuchos de purificación de aire Sub-Zero en línea en subzerowolfstore.com. Si tiene preguntas, llame a la línea de atención al cliente de Sub-Zero al 800-222-7820.

PRECAUCIÓN

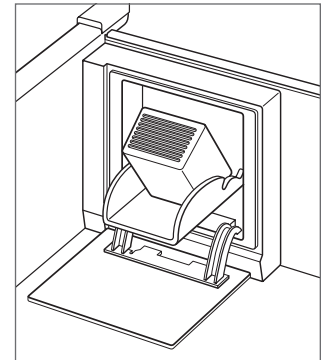
El sistema de purificación de aire cumple con los requisitos Federales aplicables en relación con la exposición incidental a la luz ultravioleta. La lámpara contiene mercurio. A la hora de deshacerse de ella, acate las leyes vigentes al respecto. Visite [earth 911.com](http://earth911.com) o llame al 800-222-7820.

SUSTITUCIÓN DEL CARTUCHO DE PURIFICACIÓN DE AIRE

- 1 Para obtener acceso al cartucho de purificación de aire, sujete la cubierta externa desde abajo y gire hacia arriba (en el caso de los cajones sujete desde arriba y gire hacia abajo). Consulte las siguientes ilustraciones.
- 2 Sujete la cubierta de color negro desde arriba y gire hacia abajo. El cartucho saldrá de su posición y ahora puede extraerlo.
- 3 Extraiga el cartucho nuevo de su empaque, ponga el cartucho en su sitio con el conector hacia abajo.
- 4 Una vez en su sitio, cierre la cubierta de color negro. A continuación gire la cubierta externa hacia abajo (en el caso de los cajones gire hacia arriba).
- 5 Una vez que haya reemplazado el cartucho, siga las instrucciones que aparecen en el panel de control. El ciclo de vida del cartucho se reiniciará durante aproximadamente un año.



Cartucho de purificación de aire (modelos altos y de columna).



Cartucho de purificación de aire (cajones).

Sistema de filtrado de agua

El sistema de filtrado de agua de los modelos integrados de Sub-Zero suministra agua filtrada al fabricante de hielo y al dispensador de agua (modelos con dispensador) para producir agua y hielo de excelente sabor.

AVISO IMPORTANTE: Al utilizar el sistema de filtrado de agua por primera vez y después de cambiar el filtro, es necesario eliminar todo el aire del sistema y permitir que el filtro ayude a limpiar las líneas de agua. Para los modelos sin dispensador, deseche los dos primeros vasos llenos de hielo. Para los modelos con dispensador, deseche varios vasos de agua durante un periodo de dos minutos.

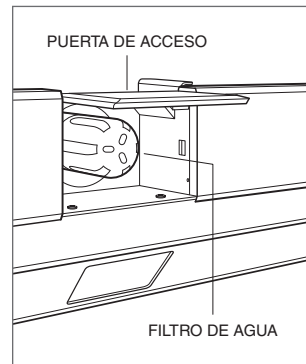
Si no va a utilizar el sistema de filtrado, puede colocarlo en el modo de desviación del filtro de agua al quitar el filtro.

El filtro tiene una capacidad para 750 galones (2839 L) o un año de uso, lo que ocurra primero. El mensaje "Change Water Filter" (Reemplace el filtro de agua) aparecerá en el panel de control cuando sea necesario reemplazar el cartucho. Toque "Snooze" (Posponer) para retrasar el recordatorio durante 24 horas o hasta que el filtro se pueda sustituir.

Puede ordenar los filtros de agua de Sub-Zero en línea en subzerowolfstore.com. Si tiene preguntas, llame a la línea de atención al cliente de Sub-Zero al 800-222-7820.



SUSTITUCIÓN DEL FILTRO DE AGUA

- 1 Para obtener acceso al filtro de agua, jale el borde inferior de la puerta de acceso hacia fuera y gire hacia arriba. Consulte la siguiente ilustración.
- 2 Para retirar el filtro anterior, gírelo un cuarto en sentido opuesto de las manecillas del reloj y jálelo. Es normal que gotee una pequeña cantidad de agua al extraer el filtro. Debe limpiarla con una servilleta de papel o un paño.
- 3 Extraiga el nuevo filtro de su empaque y retire la tapa de plástico.
- 4 Inserte el nuevo filtro en el múltiple y gire en sentido de las manecillas del reloj.
- 5 Una vez que haya instalado el filtro nuevo, siga las instrucciones que aparecen en el panel de control. El ciclo de vida del filtro se reiniciará durante aproximadamente un año.




Extracción del filtro de agua.

Operación de la fábrica de hielo


Para iniciar la producción de hielo, toque el indicador  en la pantalla de opciones. Un solo cubo resaltado indica que la fábrica de hielo está activa. Tres cubos resaltados indican que la característica max ice está activa. Max ice aumenta la producción de hielo hasta un 30% por un periodo de 24 horas. Durante ese periodo, algunos componentes pueden funcionar a una velocidad más alta que resulta en un tono audible único. Esto es normal y volverá a la normalidad después de 24 horas o cuando el recipiente de hielo esté lleno. Para desactivar la fábrica de hielo, toque  hasta que no haya ningún cubo resaltado. Tras la puesta en marcha inicial, deseche las primeras tandas de hielo. El hielo puede contener impurezas de la nueva conexión de conductos.

Si el hielo no se usa con regularidad puede fusionarse. Para evitar esto, deseche el hielo y deje que la fábrica de hielo vuelva a llenarse.

La fábrica de hielo debe apagarse al tocar  cuando se extraiga el contenedor de almacenamiento de hielo. La unidad está equipada con un tiempo de espera de 3 minutos que empieza una vez que se extrae el contenedor de hielo, para garantizar que los cubos no salgan expulsados antes de poder desactivar la fábrica de hielo o volver a instalar el contenedor de hielo.

Sabbath

Este electrodoméstico lleva el certificado Star-K que indica que cumple con estrictas normas religiosas junto con instrucciones específicas que aparecen en www.star-k.org.

Para el modo de Sabbath, desde la pantalla de ajustes, toque  y siga las instrucciones que aparecen en el panel de control.

Dispensador de agua

El dispensador de agua se encuentra al interior del refrigerador en la pared izquierda. Oprima un vaso contra el dispensador para activar el flujo de agua. El flujo de agua se detendrá al retirar el vaso. Consulte la siguiente ilustración.

El depósito de agua fría tiene una capacidad aproximada para 40 onzas (1.2 L) de agua filtrada. La primera vez que se rellena el depósito o después de utilizar una gran cantidad de agua puede tardar varias horas en enfriar el agua a la temperatura del refrigerador.

Para llenar el tanque, oprima un vaso contra el dispensador hasta que el agua comience a fluir. El dispensador tiene una característica de seguridad incorporada para limitar el flujo continuo de agua a 60 segundos. Si el agua no se dispensa dentro de esos 60 segundos, retire el vaso y luego vuelva a colocarlo en el dispensador hasta que el agua comience a fluir. Una vez que el tanque está lleno, deseche los primeros vasos de agua. Esta puede contener impurezas de la nueva conexión de conductos.



Dispensador de agua.

Limpieza

LIMPIEZA INTERIOR

Para limpiar las superficies interiores y todas las piezas móviles, lave con una solución suave de jabón, agua y bicarbonato de sodio. Enjuague y seque completamente. Evite que el agua entre en contacto con las luces y el panel de control.

⚠ PRECAUCIÓN

No utilice vinagre, alcohol ni otros limpiadores a base de alcohol en ninguna superficie interna.

EXTERIOR DE ACERO INOXIDABLE

Use un limpiador no abrasivo para acero inoxidable y aplique con un paño suave sin pelusa. Para resaltar el lustre natural, limpie suavemente la superficie con una tela de microfibra humedecida con agua, seguida con una gamuza para pulir en seco. Siempre siga la dirección del acabado del acero inoxidable.

LIMPIEZA DEL CONDENSADOR

⚠ PRECAUCIÓN

Antes de limpiar el condensador, apague la unidad desde el panel de control. Utilice guantes para evitar que las aletas afiladas del condensador puedan provocarle heridas.

El condensador se encuentra situado detrás de la rejilla. Para quitar el zócalo extraiga los dos tornillos para montaje. Consulte la siguiente ilustración. Use un cepillo de cerdas suaves y vacío para quitar el polvo y pelusa del condensador. Limpie el condensador cada tres a seis meses.

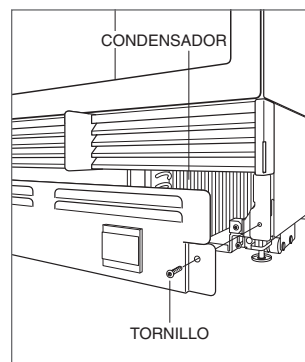
AVISO IMPORTANTE: Para evitar daños a las aletas del condensador, asegúrese de aspirar en dirección de las aletas.

⚠ PRECAUCIÓN

Si no lo limpia, el condensador puede perder la temperatura, o puede producirse un daño o fallo mecánico en el mismo.

VACACIONES

Para vacaciones prolongadas, apague la unidad desde el panel de control. Vacíe la unidad y deje las puertas ligeramente abiertas para permitir la entrada de aire y que el interior se mantenga fresco y seco. Debe cambiar el filtro de agua antes de iniciar las operaciones.



Ubicación del condensador.

Datos del sistema de filtrado de agua Sub-Zero

CARTUCHO DE REPUESTO (4204490)



Probado y certificado por NSF International según la Norma 42 de NSF/ANSI para la reducción del sabor y olor a cloro y partículas de Clase I; y según la Norma 53 de NSF/ANSI para la reducción de plomo, mercurio, atrazina, benceno, carbofurán, 1,4-diclorobenceno, lindano, toxafeno, turbidez, quistes y asbesto.

Este sistema ha sido sometido a pruebas según las normas NSF/ANSI 42/53 para la reducción de las sustancias enumeradas a continuación. La concentración de las sustancias indicadas en el agua de entrada al sistema fue reducida hasta una concentración menor que o igual al límite permisible para el agua que sale del sistema, según lo especificado en la norma NSF/ANSI 42/53.

ESPECIFICACIONES DE OPERACIÓN

Capacidad: certificado para hasta 750 galones (2,838 L), hasta doce meses

Requisitos de presión: De 35 a 120 psi (de 2.8 a 8.2 bares)

Temperatura: De 33 a 100°F (de 0.6 a 38°C)

Caudal: 0.78 gpm (2.9 Lpm)

Sustancia	Norma NSF	Concentración de riesgo de afluentes	Concentración promedio de afluentes	Concentración de agua del producto		% de reducción		Concentración máxima de agua del producto permitida
				Media	Afluente máximo	Media	Mínimo	
Cloro, sabor y olor	42	2.0 mg/L ± 10%	1.88 mg/L	0.05 mg/L	0.06 mg/L	97.34%	96.80%	≥ 50%
Partículas	42	Por lo menos 10,000 partículas/ml	5,700,000/ml	30,583/ml	69,000/ml	99.46%	98.78%	≥ 85%
Plomo a pH 6.5	53	0.15 mg/L ± 10%	0.153 mg/L	<0.001 mg/L	<0.001 mg/L	99.34%	99.34%	0.010 mg/L
Plomo a pH 8.5	53	0.15 mg/L ± 10%	0.150 mg/L	<0.001 mg/L	<0.001 mg/L	99.33%	99.33%	0.010 mg/L
Mercurio a pH 6.5	53	0.006 mg/L ± 10%	0.006 mg/L	0.0003 mg/L	0.0005 mg/L	95.00%	91.66%	0.002 mg/L
Mercurio a pH 8.5	53	0.006 mg/L ± 10%	0.006 mg/L	0.0008 mg/L	0.0015 mg/L	86.66%	75.00%	0.002 mg/L
Atrazina	53	0.009 mg/L ± 10%	0.009 mg/L	<0.002 mg/L	<0.002 mg/L	77.77%	77.77%	0.003 mg/L
Benceno	53	0.015 mg/L ± 10%	0.014 mg/L	0.0006 mg/L	0.0011 mg/L	95.71%	92.14%	0.005 mg/L
Carbofurano	53	0.08 mg/L ± 10%	0.081 mg/L	<0.001 mg/L	<0.001 mg/L	98.76%	98.76%	0.04 mg/L
1,4-diclorobenceno	53	0.225 mg/L ± 10%	0.208 mg/L	<0.0005 mg/L	<0.0005 mg/L	99.75%	99.75%	0.075 mg/L
Lindano	53	0.002 mg/L ± 10%	0.002 mg/L	0.00003 mg/L	0.00007 mg/L	98.50%	96.50%	0.0002 mg/L
Toxafeno	53	0.015 mg/L ± 10%	0.015 mg/L	<0.001 mg/L	<0.001 mg/L	93.33%	93.33%	0.003 mg/L
Turbiedad	53	11 ± 1 NTU	10.7 NTU	0.31 NTU	0.49 NTU	97.10%	95.42%	0.5 NTU
Quistes**	53	Mínimo 50,000/L	166,500/L	<1/L	<1/L	>99.99%	>99.99%	>99.95%
Asbestos	53	10 ⁷ a 10 ⁸ fibras/L†	155 MF/L	<1 MF/L	<1 MF/L	>99.99%	>99.99%	>99%

**Basado en el uso de oquistes de *Cryptosporidium Parvum* † Fibras mayores a 10 µm en longitud

NOTAS ESPECIALES

- Puede ordenar los filtros de agua de Sub-Zero en línea en subzerowolfstore.com. Si tiene preguntas, llame a la línea de atención al cliente de Sub-Zero al 800-222-7820.
- Reemplace el cartucho del filtro por lo menos cada doce meses. Las zonas con altas concentraciones de sedimentos pueden requerir reemplazar el cartucho del filtro con más frecuencia.
- Las instrucciones de instalación y operación, disponibilidad de partes y servicio, y la garantía estándar se incluyen con el producto al enviarlo.
- Reemplace el cartucho del filtro de agua cuando se encienda la luz del indicador del filtro o cuando el afluente de agua sea demasiado bajo. Utilice el cartucho del filtro de agua de repuesto con número de pieza 4204490. Puede encontrar el precio para el filtro de repuesto en subzero.com.
- No lo use para agua que no es segura desde el punto de vista microbiológico, o si se desconoce la calidad, sin un sistema de desinfección adecuado instalado antes o después de este sistema.
- Los sistemas certificados para reducción de quistes pueden usarse para agua desinfectada que pudiera contener quistes filtrables.
- Para que el producto se desempeñe según lo revisto, este sistema se debe instalar, operar, mantener como se establece y cambiar los filtros cuando sea necesario.
- Tenga en cuenta que aunque se realizaron pruebas bajo condiciones normales de laboratorio, el rendimiento real puede variar. Los contaminantes u otras sustancias eliminadas o reducidas por este sistema de filtrado de agua no necesariamente se encuentran en su agua.

Fabricado por: Sub-Zero, Inc., P.O. Box 44848, Madison, WI 53744, 800-222-7820

State of California
Department of Public Health
Water Treatment Device
Certificate Number
05 - 1708

Date Issued: April 18, 2010

Trademark/Model Designation

Sub-Zero 4290510

Replacement Elements

4204490

Manufacturer: 3M Purification Inc.

The water treatment device(s) listed on this certificate have met the testing requirements pursuant to Section 116830 of the Health and Safety Code for the following health related contaminants:

Microbiological Contaminants and Turbidity

Cysts
Turbidity

Inorganic/Radiological Contaminants

Asbestos
Lead
Mercury

Organic Contaminants

Atrazine
Benzene
Carbofuran
Lindane
p-dichlorobenzene
Toxaphene

Rated Service Capacity: 750 gals

Rated Service Flow: 0.78 gpm

Conditions of Certification:

Do not use where water is microbiologically unsafe or with water of unknown quality, except that systems certified for cyst reduction may be used on disinfected waters that may contain filterable cysts.

Resolución de problemas

OPERACIÓN DE LA UNIDAD

Las luces no funcionan o no enfría.

- Compruebe si la unidad está encendida.
- Compruebe que la alimentación eléctrica a la unidad y el interruptor de circuito de la casa estén encendidos.

El refrigerador o el congelador no tienen luz.

- La puerta/cajón tal vez se dejó abierta, lo cual desactivó las luces para eliminar el exceso de calor. Si las luces están apagadas, mantenga cerrados la puerta y/o el cajón durante una hora. Si las luces aún permanecen apagadas, póngase en contacto con el servicio certificado de fábrica de Sub-Zero.
- La luz LED interior la debe cambiar el servicio certificado de fábrica de Sub-Zero.

Hay formación de escarcha, condensación o hielo dentro de la unidad.

- Compruebe si el condensador está limpio.
- Compruebe si la puerta cierra correctamente.
- Compruebe que la puerta o el cajón no hayan quedado abiertos.
- Compruebe que el empaque de la puerta/el cajón no tenga rasgaduras ni roturas. En tal caso, póngase en contacto con el servicio certificado de fábrica de Sub-Zero.
- Si la formación de hielo es muy gruesa, apague la unidad y use un secador de pelo para derretir el hielo. Debe usar el secador de pelo a baja temperatura y mantenerlo en movimiento en todo momento. Una vez que el hielo se derrita, seque el agua con un paño o toalla de papel.

Altas temperaturas, la unidad funciona en exceso o la unidad emite demasiado calor.

- Compruebe si el condensador está limpio.
- Compruebe si la puerta cierra correctamente.
- Compruebe que la puerta o el cajón no hayan quedado abiertos.
- El aumento de la temperatura ambiente puede causar que el compresor funcione durante más tiempo.
- Si la pantalla muestra una temperatura de 38° y 0°, pero no enfría, es posible que la unidad esté en modo de sala de exposición. Póngase en contacto con la línea de atención al cliente de Sub-Zero en el 800-222-7820.

No sale agua del dispensador.

- Espere una hora y pruebe nuevamente el dispensador. Si el problema no se resuelve, comuníquese con la línea de atención al cliente de Sub-Zero al 800-222-7820.

Resolución de problemas

PRODUCCIÓN DE HIELO

No sale hielo.

- Compruebe si el indicador de cubos de hielo se visualiza en la pantalla del panel de control.
- Compruebe que el fabricante de hielo haya estado encendido durante 24 horas como mínimo.
- Compruebe que la temperatura del congelador sea próxima a 0°F.
- Compruebe que el contenedor de hielo esté correctamente instalado.
- Compruebe que el brazo del fabricante de hielo se encuentre en la posición hacia abajo.
- Compruebe que la unidad tenga suministro de agua.
- Compruebe que el filtro de agua haya sido reemplazado en los últimos 12 meses y que haya sido instalado correctamente.
- Compruebe que el filtro de agua haya sido extraído o que se esté utilizando un sistema de filtrado por ósmosis inversa.

El hielo tiene color azul o verde.

- Posiblemente haya corrosión en la línea de suministro de cobre. Póngase en contacto con un plomero para limpiarla o cambiarla.

Manchas negras en los cubos de hielo.

- Detenga el uso y póngase en contacto con el servicio certificado de fábrica de Sub-Zero.

Mal sabor.

- Descongele el congelador y límpielo con agua y jabón.
- Coloque granos de café o pedazos de carbón en el congelador para absorber el olor.

Los cubos de hielo están huecos.

- Limpie el condensador. Póngase en contacto con el servicio certificado de fábrica de Sub-Zero si el problema no se resuelve.

OLOR

- Debe limpiar la unidad antes de utilizarla por primera vez. Esto eliminará todos los olores que hayan quedado atrapados durante el envío.
- Cambie el cartucho de purificación de aire.
- Limpie a fondo la unidad y los estantes.
- Los alimentos descubiertos pueden generar olores que pueden hacer necesaria una limpieza.

Resolución de problemas

SERVICIO

- Para mantener la calidad incorporada en su producto, póngase en contacto con el servicio certificado de fábrica de Sub-Zero. Para obtener los datos del centro de servicio autorizado de Sub-Zero más cercano, eche un vistazo a la sección de contacto y servicio técnico en nuestro sitio web, subzero.com o llame a la línea de atención al cliente de Sub-Zero al 800-222-7820.
- Al comunicarse con el servicio, necesitará el modelo y número de serie de su unidad. Los dos números también aparecen en la placa de datos del producto. Consulte la página 4 para encontrar la placa de datos.
- Para fines de la garantía, usted también necesitará la fecha de instalación y el nombre de su distribuidor autorizado de Sub-Zero. Esta información debe estar registrada en la página 2.

Garantía limitada residencial de Sub-Zero

PARA USO RESIDENCIAL

GARANTÍA COMPLETA DE DOS AÑOS*

Durante dos años a partir de la fecha de la instalación original, la garantía de su producto Sub-Zero cubre todas las partes y mano de obra para reparar o reemplazar, bajo el uso residencial normal, cualquier parte del producto que se compruebe estar defectuosa en material o mano de obra. Todos los servicios proporcionados por Sub-Zero bajo la garantía anterior deben ser ejecutados por servicios certificados de fábrica de Sub-Zero, a menos que Sub-Zero Inc. lo especifique de otra manera. El Servicio será proporcionado durante el horario comercial normal.

GARANTÍA COMPLETA DE CINCO AÑOS SOBRE EL SISTEMA CERRADO

Durante cinco años a partir de la fecha de la instalación original, la garantía de su producto Sub-Zero cubre todas las partes y mano de obra para reparar o reemplazar, bajo el uso residencial normal, cualquier parte del producto que se compruebe estar defectuosa en material o mano de obra: compresor, condensador, evaporador, secador y toda la tubería de interconexión. Todos los servicios proporcionados por Sub-Zero bajo la garantía anterior deben ser ejecutados por servicios certificados de fábrica de Sub-Zero, a menos que Sub-Zero Inc. lo especifique de otra manera. El Servicio será proporcionado durante el horario comercial normal.

GARANTÍA LIMITADA DE DOCE AÑOS SOBRE EL SISTEMA CERRADO

Por doce años a partir de la fecha de la instalación original Sub-Zero reparará o reemplazará los siguientes componentes que se compruebe estar defectuosos en material o mano de obra: compresor, condensador, evaporador, secador y toda la tubería de interconexión. Si el propietario utiliza el servicio certificado de fábrica de Sub-Zero, el prestador del servicio reparará o reemplazará estas partes mediante el pago de todos los otros costos, incluyendo mano de obra, a cargo del propietario. Si el propietario utiliza un servicio no certificado, debe ponerse en contacto con Sub-Zero, Inc. (utilizando la información anotada más adelante) para recibir los componentes reparados o de reemplazo. Sub-Zero no reembolsará al propietario los importes correspondientes a componentes comprados a un servicio no certificado o a otras fuentes.

TÉRMINOS APLICABLES A CADA GARANTÍA

La garantía se aplica solamente a los productos instalados para uso residencial normal. La garantía se aplica solamente a los productos instalados en cualquiera de los cincuenta estados de los Estados Unidos, el Distrito de Columbia o las diez provincias de Canadá. Esta garantía no cubre las partes o mano de obra para corregir cualquier defecto causado por negligencia, accidente o uso, mantenimiento, instalación, servicio o reparación inadecuados.

LOS RECURSOS DESCRITOS ANTERIORMENTE PARA CADA GARANTÍA SON LOS ÚNICOS QUE SUB-ZERO, INC. PROPORCIONARÁ, YA SEA BAJO ESTA GARANTÍA O BAJO CUALQUIER GARANTÍA QUE RESULTEN DE LA APLICACIÓN DE LA LEY. SUB-ZERO, INC. NO SE HACE RESPONSABLE POR LOS DAÑOS INDIRECTOS O INCIDENTALES DERIVADOS DE LA VIOLACIÓN DE ESTA GARANTÍA O CUALQUIER OTRA GARANTÍA, YA SEA EXPRESA, IMPLÍCITA O LEGAL.

Algunos estados no permiten la exclusión o limitación de daños incidentales o consecuentes, por lo tanto la limitación o exclusión anterior podrían no aplicarse en su caso. Esta garantía le otorga derechos legales específicos, y usted también puede tener otros derechos legales que varían entre estados.

Para recibir las partes o el servicio y el nombre del servicio certificado de fábrica de Sub-Zero más cercano a usted, póngase en contacto con Sub-Zero, Inc., P.O. Box 44848, Madison, WI 53744; eche un vistazo a la sección de contacto y servicio técnico en nuestro sitio web, subzero.com o llame al 800-222-7820.

*Las puertas, paneles, manijas, estructuras de acero inoxidable y superficies internas están cubiertas por una garantía limitada de 60 días sobre piezas y mano de obra, por defectos cosméticos.

*Los filtros de agua de repuesto y los cartuchos de purificación de agua no están cubiertos por la garantía del producto.



Table des matières

- 4 Caractéristiques intégrées
- 5 Commandes interactives
- 6 Rangement
- 10 Fonctionnement
- 13 Conseils d'entretien
- 14 Données techniques
- 16 Dépannage
- 19 Garantie Sub-Zero

Service à la clientèle

Le numéro de modèle et le numéro de série sont imprimés sur la fiche d'enregistrement du produit ci-jointe. Les deux numéros sont aussi indiqués sur la plaque signalétique du produit. Reportez-vous à la page 4 pour connaître l'emplacement de la plaque signalétique. Pour les besoins de la garantie, vous devrez aussi avoir la date d'installation et le nom de votre dépositaire Sub-Zero autorisé. Inscrivez ces renseignements ci-dessous pour consultation ultérieure.

Si votre produit a besoin d'être réparé, assurez-vous d'utiliser un fournisseur de service certifié par l'usine Sub-Zero recommandé par notre centre de service à la clientèle, ou sélectionnez-en un parmi la liste de fournisseurs disponibles à subzero.com/locator. Tous les fournisseurs de service certifiés par l'usine sont soigneusement sélectionnés et rigoureusement formés par nous.

RENSEIGNEMENTS SUR LE SERVICE

Numéro de modèle

Numéro de série

Date de l'installation

Nom du service certifié

Numéro du service certifié

Dépositaire autorisé

Numéro du dépositaire

Remarque importante

Pour s'assurer que ce produit est installé et utilisé en toute sécurité et aussi efficacement que possible, prenez note des types de renseignement mis en évidence tout au long de ce guide :

REMARQUE IMPORTANTE met en évidence des renseignements qui sont particulièrement importants.

MISE EN GARDE indique une situation où une blessure mineure ou des dommages au produit peuvent se produire si les directives ne sont pas respectées.

AVERTISSEMENT décrit un danger qui peut causer une blessure grave ou la mort si les précautions ne sont pas respectées.

REMARQUE IMPORTANTE : tout au long de ce guide, les dimensions entre parenthèses sont en millimètres à moins d'indication contraire.

Merci

Merci de votre achat. Nous nous réjouissons à l'idée de faire partie de votre résidence pendant des décennies à venir. À titre d'entreprise familiale de troisième génération, nous avons un intérêt personnel dans la préservation des aliments de votre famille. Nous avons bâti notre entreprise et notre réputation en aidant les familles à servir les aliments les plus frais possible.

Grâce à votre achat, vous obtiendrez l'une des garanties les plus robustes de l'industrie des appareils électroménagers. Prenez un moment pour lire la déclaration de garantie complète à la page 19. Il est aussi important d'enregistrer votre Sub-Zero pour vous assurer de ne pas manquer les avantages exclusifs offerts aux propriétaires, comme l'assurance que vous serez pris en charge dans le cas peu probable où un service serait nécessaire durant la période de garantie et d'avoir une preuve d'achat en cas de réclamation d'assurance habitation. Vous pouvez effectuer l'enregistrement de l'une des façons suivantes :

- En postant la fiche d'enregistrement du produit Sub-Zero dûment remplie.
- En enregistrant votre appareil en ligne à subzero.com/register et en créant un compte personnalisé My Sub-Zero/Wolf avec le numéro de série de votre produit.
- Par téléphone en appelant le service à la clientèle de Sub-Zero au 800-222-7820.

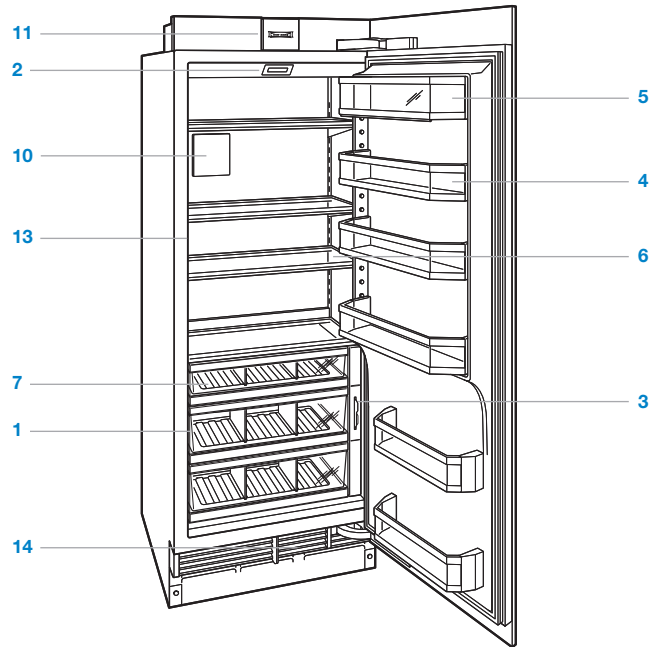
À titre de propriétaire Sub-Zero, vous pouvez compter sur un soutien continu, jour après jour. Notre centre de service à la clientèle est offert 24 heures par jour, sept jours par semaine et composé d'employés experts en produit bien informés dans notre usine de Madison au Wisconsin. En cas de besoin, composez simplement le 800-222-7820 et parlez avec un de nos experts en produit. Ils vous aideront à résoudre tout problème que vous pourriez avoir.

Nous sommes confiants que ce guide répondra à vos questions au sujet des caractéristiques, du fonctionnement et de l'entretien de votre Sub-Zero, mais si vous avez des questions supplémentaires, communiquez avec nous au 800-222-7820 ou visitez-nous en ligne à subzero.com.

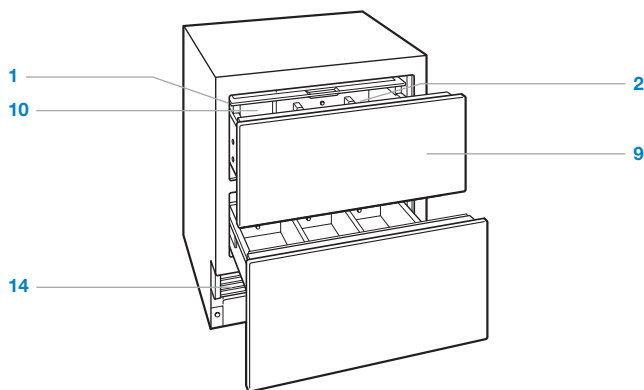


Caractéristiques intégrées

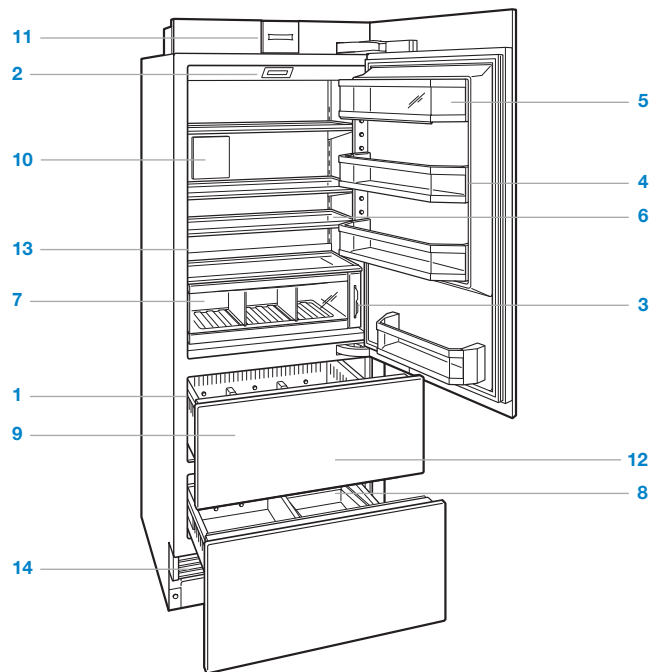
CARACTÉRISTIQUE	
1	Plaque signalétique du produit
2	Panneau de commande interactif
3	Fiches de fraîcheur
4	Balconnets
5	Compartiment à produits laitiers
6	Tablettes en verre
7	Tiroirs du réfrigérateur
8	Contenant à glace
9	Tiroirs de rangement
10	Système de purification d'air
11	Système de filtration d'eau
12	Machine à glaçons automatique
13	Distributeur d'eau (modèles à distributeur)
14	Condensateur (derrière la grille)



Réfrigérateur en colonne uniquement.



Réfrigérateur à tiroirs uniquement.



Combiné en hauteur.

Panneau de commande interactif

Pour le démarrage initial, touchez et tenez la touche « power » sur le panneau de commande pendant deux secondes.

La température peut être réglée dans des incréments d'un degré sur l'écran d'accueil. Les unités combinées ont des commandes de température séparées pour le réfrigérateur et le congélateur. Les températures sont pré-réglées à 38 °F (3 °C) et 0 °F (-18 °C). Pour modifier la température, touchez à la température à modifier, puis appuyez sur « + » ou « - » jusqu'à ce que la température désirée soit affichée. Reportez-vous à l'illustration ci-dessous.

Une fois la température réglée, d'autres fonctions peuvent être activées ou désactivées à partir de l'écran d'options. Touchez à ► pour voir l'écran d'options. Reportez-vous à l'illustration ci-dessous.








Écran d'accueil.














Écran d'options.

ÉCRAN D'OPTIONS

-  Touchez pour activer ou désactiver la machine à glaçons et la fonction maximum de glaçons.
-  Touchez pour activer ou désactiver l'alarme de porte/tiroir.
-  Touchez pour activer ou désactiver le distributeur d'eau.
-  Touchez pour activer ou désactiver le système de purification d'air.
-  Touchez pour voir l'écran de réglages.

ÉCRAN DE RÉGLAGES

-  Touchez pour voir les renseignements sur le modèle.
-  Touchez pour sélectionner l'unité de température, Fahrenheit ou Celsius.
-  Touchez pour régler la luminosité et le contraste du panneau de commande.
-  Touchez pour régler le volume et la tonie de l'alarme de la porte/du tiroir.
-  Touchez pour régler la durée de l'alarme de la porte/du tiroir.
-  Touchez pour accéder au mode Shabbath.
-  Touchez pour voir les renseignements sur le dépannage et le service.
-  Touchez pour régler l'horloge.
-  Touchez pour sélectionner les options de maison intelligente.
-  Touchez pour sélectionner les options de langue.
-  Touchez pour régler l'éclairage doux.

Garder la nourriture à son meilleur

Ce Sub-Zero est muni d'un système de réfrigération double unique pour garder les aliments frais plus longtemps.

Avec le système de réfrigération double Sub-Zero, les systèmes de réfrigération et de congélation individuels ont été conçus pour maintenir des températures précises, constantes et des niveaux d'humidité appropriés pour une durée de vie plus longue des aliments. La réfrigération double élimine le transfert des odeurs d'aliments frais aux aliments congelés et aux glaçons et ne gèle pas l'humidité dans l'air dans la section des aliments frais.

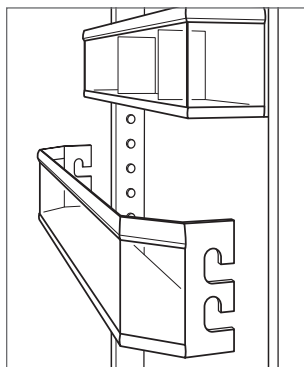
Pour obtenir des conseils pratiques et des renseignements sur la façon de maximiser la fraîcheur des aliments, reportez-vous aux fiches de fraîcheur se trouvant dans le réfrigérateur.

Entreposage dans le réfrigérateur

BALCONNETS

Pour retirer un balconnet ou le compartiment à produits laitiers, soulevez à partir du fond et glissez vers l'extérieur. Pour réinstaller, placez à la position désirée et glissez le balconnet vers le bas dans les guides. Reportez-vous à l'illustration ci-dessous.

REMARQUE IMPORTANTE : si l'ouverture de la porte est limitée à 90°, les balconnets peuvent devoir être retirés avant d'enlever un tiroir de rangement ou une tablette en verre.



Retrait d'un balconnet.

Entreposage dans le réfrigérateur

TABLETTES EN VERRE

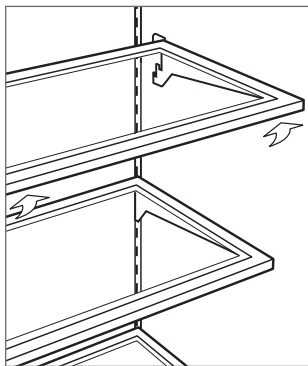
Pour retirer ou ajuster une tablette en verre, inclinez-la vers le haut, puis soulevez-la vers le haut et l'extérieur. Pour la replacer, insérez la tablette dans les pistes le long de la paroi arrière, puis abaissez le devant jusqu'à ce qu'elle s'enclenche en place. Reportez-vous à l'illustration ci-dessous.

La tablette en verre stationnaire au fond du compartiment doit être placée en gardant le rebord biseauté vers l'avant. Les pieds de soutien arrière gardent la tablette loin de la paroi arrière pour assurer un débit d'air approprié dans l'unité.

REMARQUE IMPORTANTE : faites attention lors de la manipulation des tablettes en verre pour éviter de les briser ou d'égratigner l'intérieur.

▲ MISE EN GARDE

Les tablettes en verre doivent être réchauffées jusqu'à la température de la pièce avant de les immerger dans de l'eau chaude.

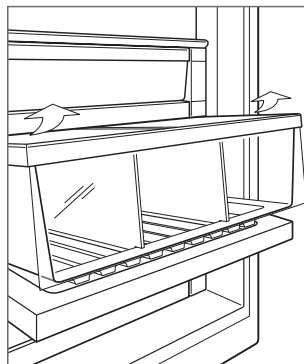


Retrait d'une tablette en verre.

TIROIRS DU RÉFRIGÉRATEUR

Pour retirer un tiroir du réfrigérateur, tirez jusqu'à ce que le tiroir s'arrête. Soulevez l'avant du tiroir légèrement et tirez directement vers l'extérieur. Pour le réinstaller, sortez le support du tiroir et alignez le fond du tiroir avec le support. Reportez-vous à l'illustration ci-dessous.

Les séparateurs se trouvant dans les tiroirs du réfrigérateur peuvent être enlevés en les tirant directement vers le haut. Pour les réinstaller, alignez les onglets sur le séparateur avec les encoches dans le tiroir et poussez vers le bas.



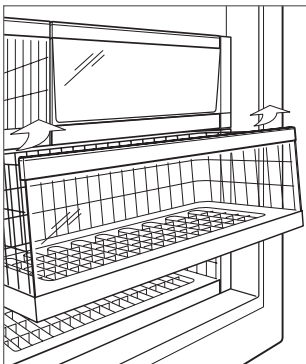
Retrait d'un tiroir du réfrigérateur.

Entreposage dans le congélateur

PANIER DU CONGÉLATEUR

Pour retirer, tirez vers l'avant jusqu'à ce que le panier s'arrête. Tirez les deux onglets en plastique situés derrière les deux coins inférieurs du panier vers l'avant, puis soulevez vers le haut et l'extérieur. Reportez-vous à l'illustration ci-dessous. Pour réinstaller, poussez les glissières du tiroir vers l'intérieur. Alignez le panier avec les glissières et poussez vers l'arrière jusqu'à ce qu'il s'arrête. Appuyez sur l'avant du panier pour enclencher les glissières. Reportez-vous à l'illustration ci-dessous.

Si l'ouverture de la porte est limitée à 90°, le panier supérieur doit être retiré avant de retirer le panier du milieu ou du bas.




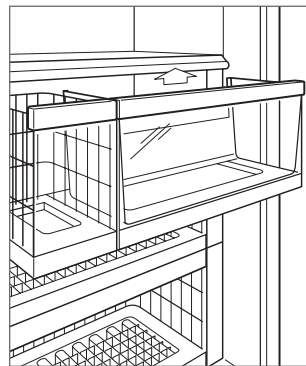
Retrait d'un panier du congélateur.

CONTENANT À GLACE

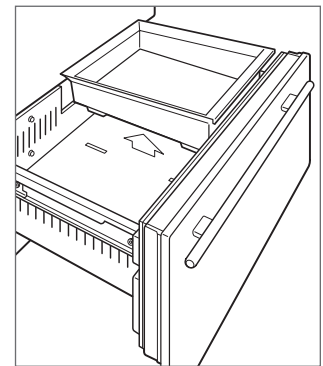
En colonne | Pour retirer le contenant à glace, tirez le tiroir du congélateur vers l'avant jusqu'à ce qu'il s'arrête et soulevez le contenant vers l'extérieur. Pour le réinstaller, sortez le support du tiroir et alignez le fond du contenant avec le support. Reportez-vous à l'illustration ci-dessous.

En colonne et à tiroirs | Pour retirer le contenant à glace, tirez le tiroir du congélateur vers l'avant jusqu'à ce qu'il s'arrête et soulevez le contenant vers l'extérieur. Pour le réinstaller, placez le tiroir avec les onglets au fond du contenant alignés avec les fentes dans le tiroir. Reportez-vous à l'illustration ci-dessous.

La machine à glaçon doit être éteinte en touchant à  lorsque le contenant à glace est retiré. L'unité est munie d'un délai de trois minutes lorsque le contenant à glace est retiré pour s'assurer que des cubes ne soient pas expulsés avant que la machine à glaçons ne soit désactivée ou le contenant à glace remis en place.



Contenant à glace pour modèles en colonne.



Contenant à glace pour modèles en hauteur et à tiroirs.

Tiroirs de rangement

COUVERCLE DU BAC À LÉGUMES

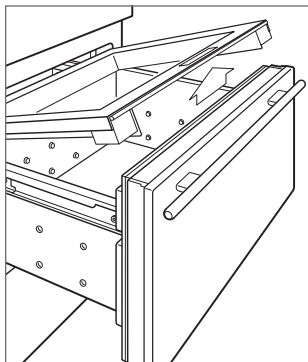
Le couvercle du bac à légumes dans le tiroir de rangement supérieur peut être glissé pour le fermer ou laissé ouvert.

Pour le retirer, tirez le tiroir supérieur complètement vers l'extérieur, relevez le rebord avant du couvercle du bac à légumes et tirez-le vers l'avant hors du tiroir. Reportez-vous à l'illustration ci-dessous.

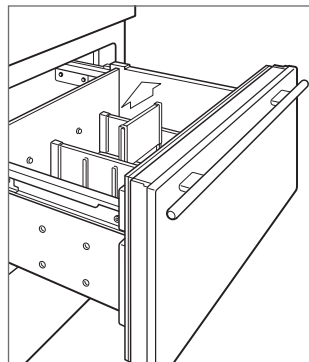
SÉPARATEURS DE TIROIR

Pour retirer ou régler un séparateur court, pliez légèrement le long séparateur, puis tirez vers le haut. Reportez-vous à l'illustration ci-dessous.

Pour retirer un long séparateur, les séparateurs courts doivent être enlevés. Tirez le séparateur vers le haut jusqu'à ce qu'il s'arrête, pivotez dans le sens antihoraire, puis tirez vers le haut. Pour le réinstaller, alignez les rainures avec les onglets du tiroir, pivotez dans le sens horaire, puis glissez vers le bas.



Couvercle du bac à légumes.



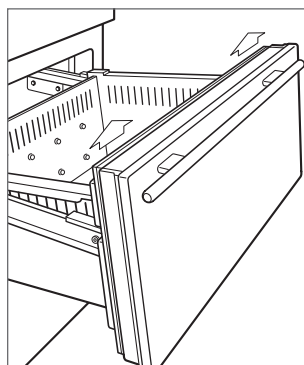
Séparateurs de tiroir.

RETRAIT D'UN TIROIR

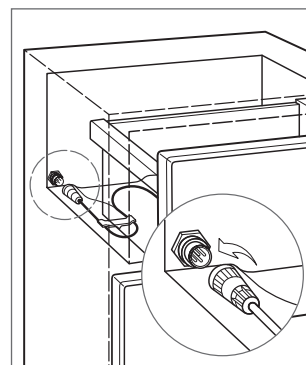
Pour retirer, tirez pour ouvrir jusqu'à ce que le tiroir s'arrête. Soulevez le devant du tiroir et tirez le tiroir vers l'extérieur.

Pour replacer le tiroir, soulevez l'avant du tiroir et placez-le sur les glissières. Alignez l'arrière du tiroir avec les crochets de la glissière, puis alignez les chevilles blanches sur le devant de la glissière avec des trous sur le devant du tiroir. Reportez-vous à l'illustration ci-dessous.

REMARQUE IMPORTANTE : pour les modèles à tiroirs, le tiroir supérieur est muni d'un câble de contrôle qui doit être débranché avant de retirer ce tiroir. Reportez-vous à l'illustration ci-dessous.




Retrait d'un tiroir.



Câble de contrôle (modèles à tiroirs).

Système de purification d'air

Le système de purification d'air avancé des modèles intégrés de Sub-Zero réduit les bactéries, les odeurs et le gaz éthylène qui cause le mûrissement prématuré des fruits et des légumes. Si votre unité est munie d'un système de purification d'air, la cartouche est installée en usine et située sur la paroi arrière du réfrigérateur (arrière du tiroir supérieur pour les modèles à tiroirs).

Pour initier la purification de l'air, touchez à  sur l'écran d'options.

La cartouche durera approximativement un an. Le message « Change Air Purifier » apparaîtra sur le panneau de commande lorsque la cartouche doit être remplacée. Touchez à « Snooze » pour faire réapparaître le rappel dans 24 heures ou jusqu'à ce que la cartouche puisse être remplacée.

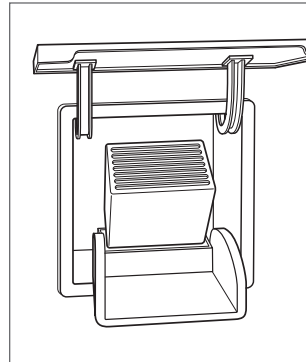
Des cartouches de purification d'air Sub-Zero peuvent être commandées en ligne à subzerowolfstore.com. Pour toute question, communiquez avec le service à la clientèle Sub-Zero au 800-222-7820.

▲ MISE EN GARDE

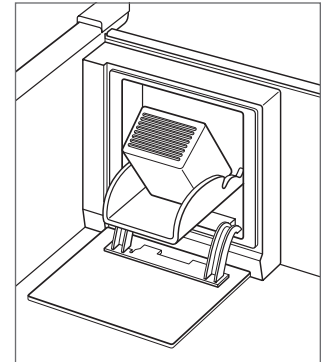
Le système de purification d'air se conforme aux exigences fédérales applicables concernant l'exposition accidentelle au rayonnement ultraviolet. La lampe contient du mercure. Manipulez conformément avec les lois d'élimination. Visitez earth911.com ou composez 800-222-7820.

REPLACEMENT DE LA CARTOUCHE DE PURIFICATION D'AIR

- 1 Pour accéder à la cartouche de purification d'air, agrippez le couvercle extérieur du fond et pivotez vers le haut (le dessus et pivotez vers le bas pour les modèles à tiroirs). Reportez-vous aux illustrations ci-dessous.
- 2 Agrippez le couvercle noir du dessus et pivotez vers le bas. La cartouche sortira et peut alors être retirée.
- 3 Retirez la nouvelle cartouche de l'emballage et insérez en pointant le connecteur vers le bas.
- 4 Une fois en position, fermez le couvercle noir. Ensuite, pivotez le couvercle extérieur vers le bas (vers le haut pour les tiroirs).
- 5 Une fois la nouvelle cartouche remplacée, suivez les directives affichées sur le panneau de commande. Le cycle de vie de la cartouche se réinitialisera pour une durée d'environ un an.



Cartouche de purification d'air (en colonne et en hauteur).



Cartouche de purification d'air (à tiroirs).

Système de filtration d'eau

Le système de filtration d'eau des modèles intégrés de Sub-Zero fournit de l'eau filtrée à la machine à glaçons et au distributeur d'eau (modèles avec distributeur) pour produire de l'eau et de la glace qui ont bon goût.

REMARQUE IMPORTANTE : lorsque vous utilisez le système de filtration d'eau pour la première fois, il est nécessaire d'éliminer tout air du système et de laisser le filtre faciliter le nettoyage des conduites d'eau. Pour les modèles sans distributeur, jetez les deux premiers contenants pleins de glaçons. Pour les modèles à distributeur, faites couler plusieurs verres d'eau pendant une période de deux minutes.

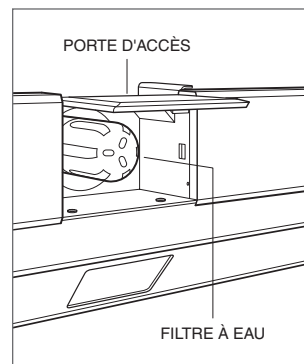
Si le système de filtration d'eau ne sera pas utilisé, il peut être mis en mode de dérivation du filtre à eau en retirant le filtre.

Le filtre est qualifié pour 750 gallons (2 839 l) ou un an, le premier des deux prévalant. Le message « Change Water Filter » apparaîtra sur le panneau de commande lorsque la cartouche doit être remplacée. Touchez à « Snooze » pour faire réapparaître le rappel dans 24 heures ou jusqu'à ce que le filtre puisse être remplacé.

Des filtres à eau de rechange Sub-Zero peuvent être commandés en ligne à subzerowolfstore.com. Pour toute question, communiquez avec le service à la clientèle Sub-Zero au 800-222-7820.



REPLACEMENT DU FILTRE À EAU

- 1 Pour accéder au filtre à eau, tirez sur le rebord inférieur de la porte d'accès et pivotez vers le haut. Reportez-vous à l'illustration ci-dessous.
- 2 Pour retirer l'ancienne cartouche, pivotez-la dans le sens antihoraire d'un quart de tour et tirez vers l'extérieur. Il est normal qu'une petite quantité d'eau s'écoule lorsque le filtre est retiré. Elle doit être essuyée avec une serviette en papier ou un chiffon.
- 3 Retirez le nouveau filtre de l'emballage et retirez le capuchon en plastique.
- 4 Insérez le nouveau filtre dans le collecteur et tournez dans le sens horaire.
- 5 Une fois le nouveau filtre installé, suivez les directives affichées sur le panneau de commande. Le cycle de vie du filtre se réinitialisera pour une durée d'environ un an.




Retrait du filtre à eau.

Fonctionnement de la machine à glaçons


Pour initier la production de glaçons, touchez à l'indicateur  sur l'écran d'options. Un glaçon unique mis en évidence signifie que la machine à glaçons est active. Trois glaçons mis en évidence signifient que la fonction maximum de glaçons est active. La fonction maximum de glaçons augmente la production de glaçons de jusqu'à 30 % pendant une période de 24 heures. Durant cette période, certains composants peuvent fonctionner à une vitesse plus rapide entraînant une tonalité audible unique. Cela est normal et cessera après une période de 24 heures ou lorsque le contenant à glace est plein. Pour désactiver la machine à glaçons, touchez à  jusqu'à ce qu'aucun glaçon ne soit mis en évidence. Après le démarrage initial, jetez les premiers quelques lots de glaçons. Les glaçons peuvent contenir des impuretés provenant des nouvelles connexions de plomberie.

Si les glaçons ne sont pas utilisés régulièrement, ils peuvent se fusionner ensemble. Pour éviter ceci, jetez les glaçons et laissez la machine à glaçons se ravitailler.

La machine à glaçon doit être éteinte en touchant à  lorsque le contenant à glace est retiré. L'unité est munie d'un délai de trois minutes lorsque le contenant à glace est retiré pour s'assurer que des cubes ne soient pas expulsés avant que la machine à glaçons ne soit désactivée ou le contenant à glace remis en place.

Shabbath

Cet appareil est certifié par Star-K pour répondre à des règlements religieux rigoureux relativement à des directives précises se trouvant sur www.star-k.org.

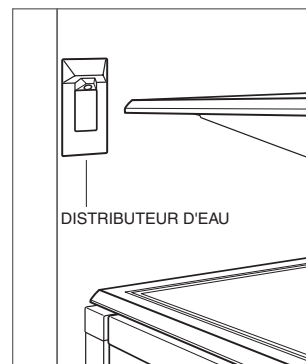
Pour le mode Shabbath, depuis l'écran de réglages, touchez à  et suivez les directives sur le panneau de commande.

Distributeur d'eau

Le distributeur d'eau est situé à l'intérieur du réfrigérateur sur le mur gauche. Appuyez un verre contre le distributeur pour activer le débit d'eau. Le débit d'eau s'arrête lorsque le verre est retiré. Reportez-vous à l'illustration ci-dessous.

Le réservoir d'eau refroidie contient environ 40 oz (1,2 l) d'eau filtrée. Il faudra compter plusieurs heures pour refroidir l'eau à la température du réfrigérateur pendant le remplissage original ou après la distribution d'une grande quantité d'eau.

Pour remplir le réservoir, appuyez un verre contre le distributeur jusqu'à ce que l'eau commence à s'écouler. Un dispositif de sécurité a été incorporé dans le distributeur pour limiter le débit d'eau continu à 60 secondes. Si l'eau ne s'écoule pas dans un délai de 60 secondes, retirez le verre, puis remettez-le contre le distributeur jusqu'à ce que l'eau commence à s'écouler. Une fois le réservoir plein, jetez les premiers quelques verres d'eau. Ils peuvent contenir des impuretés provenant des nouvelles connexions de plomberie.



Distributeur d'eau.

Nettoyage

NETTOYAGE INTÉRIEUR

Pour nettoyer les surfaces intérieures et toutes les pièces amovibles, lavez avec une solution douce de savon, d'eau et de bicarbonate de soude. Rincez et séchez à fond. Évitez de mettre de l'eau sur les lumières et le panneau de commande.

▲ MISE EN GARDE

N'utilisez pas du vinaigre, de l'alcool à friction ou d'autres nettoyeurs à base d'alcool sur toute surface intérieure.

EXTÉRIEUR EN ACIER INOXYDABLE

Utilisez un nettoyeur non abrasif pour l'acier inoxydable et appliquez-le avec un chiffon doux non pelucheux. Pour faire ressortir le lustre naturel, essuyez légèrement la surface avec un chiffon en microfibras humecté d'eau suivi d'un chamois à polir sec. Suivez toujours le grain de l'acier inoxydable.

NETTOYAGE DU CONDENSATEUR

▲ MISE EN GARDE

Avant de nettoyer le condensateur, coupez l'alimentation sur le panneau de commande. Portez des gants pour éviter toute blessure causée par les ailettes tranchantes du condensateur.

Le condensateur est situé derrière la grille. Retirez la plaque de butée en enlevant les deux vis de montage. Reportez-vous à l'illustration ci-dessous. Utilisez une brosse à soie souple et un aspirateur pour éliminer la poussière et les peluches de la zone du condensateur. Nettoyez le condensateur tous les trois à six mois.

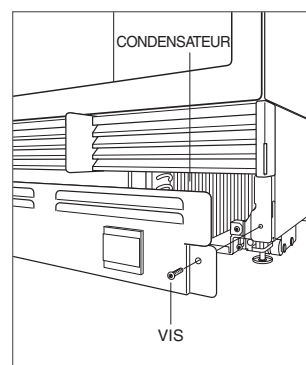
REMARQUE IMPORTANTE : pour éviter d'endommager les ailes du condensateur, passez l'aspirateur dans la direction des ailettes.

▲ MISE EN GARDE

L'omission de nettoyer le condensateur pourrait entraîner une perte de température, une défaillance mécanique ou des dommages.

VACANCES

Pour des vacances prolongées, coupez l'alimentation sur le panneau de commande. Videz l'unité et bloquez les portes en position légèrement ouverte pour laisser de l'air frais circuler et garder l'intérieur sec. Le filtre à eau doit être remplacé avant la mise en marche.



Emplacement du condensateur.

Données sur le système de filtration d'eau Sub-Zero

CARTOUCHE DE RECHANGE (4204490)



Testé et certifié par la NSF International comme étant conforme à la norme 42 de la NSF/ANSI (institut national américain de normalisation) pour la réduction du goût et de l'odeur du chlore, des particules de catégorie I et conforme à la norme 53 de la NSF/ANSI pour la réduction du plomb, du mercure, de l'atrazine, du benzène, du carbofurane, du 1,4-dichlorobenzène, du lindane, du toxaphène, de la turbidité, des spores et de l'amiante.

Ce système a été testé conformément aux normes 42/53 de la NSF/ANSI pour la réduction des substances indiquées ci-dessous. La concentration des substances indiquées dans l'eau entrant dans le système a été réduite à une concentration inférieure ou égale à la limite permise pour l'eau quittant le système, comme il est précisé dans les normes 42/53 NSF/ANSI.

SPÉCIFICATIONS DE FONCTIONNEMENT

Capacité : certifié pour une quantité pouvant atteindre 750 gallons (2 838 l); jusqu'à 12 mois

Exigence de pression 35 – 120 lb/po² (2,8 – 8,2 bars)

Température : 33 – 100 °F (0,6 – 38 °C)

Vitesse de filtration : 0,78 gal/min (2,9 l/min)

Substance	Norme NSF	Concentration influente d'amorce	Concentration influente moyenne	Concentration en eau du produit		% de réduction		Concentration en eau max. permise du produit
				Moyenne	Effluente max.	Moyenne	Minimum	
Chlore, goût et odeur	42	2,0 mg/l ± 10 %	1,88 mg/l	0,05 mg/l	0,06 mg/l	97,34 %	96,80 %	≥ 50 %
Particules	42	Au moins 10 000 particules/ml	5 700 000/ml	30 583/ml	69 000/ml	99,46 %	98,78 %	≥ 85 %
Plomb à pH de 6,5	53	0,15 mg/l ± 10 %	0,153 mg/l	<0,001 mg/l	<0,001 mg/l	99,34 %	99,34 %	0,010 mg/l
Plomb à pH de 8,5	53	0,15 mg/l ± 10 %	0,150 mg/l	<0,001 mg/l	<0,001 mg/l	99,33 %	99,33 %	0,010 mg/l
Mercure à pH de 6,5	53	0,006 mg/l ± 10 %	0,006 mg/l	0,0003 mg/l	0,0005 mg/l	95,00 %	91,66 %	0,002 mg/l
Mercure à pH de 8,5	53	0,006 mg/l ± 10 %	0,006 mg/l	0,0008 mg/l	0,0015 mg/l	86,66 %	75,00 %	0,002 mg/l
Atrazine	53	0,009 mg/l ± 10 %	0,009 mg/l	<0,002 mg/l	<0,002 mg/l	77,77 %	77,77 %	0,003 mg/l
Benzène	53	0,015 mg/l ± 10 %	0,014 mg/l	0,0006 mg/l	0,0011 mg/l	95,71 %	92,14 %	0,005 mg/l
Carbofurane	53	0,08 mg/l ± 10 %	0,081 mg/l	<0,001 mg/l	<0,001 mg/l	98,76 %	98,76 %	0,04 mg/l
1,4-dichlorobenzène	53	0,225 mg/l ± 10 %	0,208 mg/l	<0,0005 mg/l	<0,0005 mg/l	99,75 %	99,75 %	0,075 mg/l
Lindane	53	0,002 mg/l ± 10 %	0,002 mg/l	0,00003 mg/l	0,00007 mg/l	98,50 %	96,50 %	0,0002 mg/l
Toxaphène	53	0,015 mg/l ± 10 %	0,015 mg/l	<0,001 mg/l	<0,001 mg/l	93,33 %	93,33 %	0,003 mg/l
Turbidité	53	11 ± 1 uTN	10,7 uTN	0,31 uTN	0,49 uTN	97,10 %	95,42 %	0,5 uTN
Spores**	53	Minimum de 50 000/l	166 500/l	<1/l	<1/l	>99,99 %	>99,99 %	>99,95 %
Amiante	53	10 ⁷ à 10 ⁸ fibres/l†	155 MF/l	<1 MF/l	<1 MF/l	>99,99 %	>99,99 %	>99 %

**Selon l'utilisation d'okystes *Cryptosporidium Parvum* † Fibres supérieures à 10 µm de longueur

REMARQUES SPÉCIALES

- Des cartouches du filtre à eau Sub-Zero peuvent être commandées en ligne à subzerowolfstore.com. Pour toute question, communiquez avec le service à la clientèle Sub-Zero au 800-222-7820.
- Remplacez le filtre au moins une fois tous les douze mois. Les endroits à sédiments élevés pourront nécessiter un remplacement de cartouche plus fréquent.
- Des directives d'installation et de fonctionnement, la disponibilité des pièces et du service et la garantie standard sont comprises avec le produit lorsqu'il est expédié.
- Remplacez la cartouche du filtre à eau lorsque l'indicateur du filtre est allumé ou lorsque le débit d'eau est trop faible. Utilisez la cartouche du filtre à eau de rechange pièce n° 4204490. Les renseignements sur le prix du filtre de rechange se trouvent à subzero.com.
- N'utilisez pas de l'eau qui est microbiologiquement insalubre ou de l'eau de qualité inconnue sans une désinfection adéquate avant ou après le système.
- Les systèmes certifiés pour la réduction de spores peuvent être utilisés avec de l'eau désinfectée qui peut contenir des spores filtrables.
- Ce système doit être installé, utilisé et maintenu et les filtres remplacés au besoin afin que le produit fonctionne comme il est annoncé.
- Veuillez noter que les essais ont été effectués dans des conditions de laboratoire normales; la performance réelle peut varier. Les contaminants ou les autres substances éliminés ou réduits par ce système de traitement d'eau ne se trouvent pas nécessairement dans votre eau.

Fabriqué pour : Sub-Zero, Inc., P.O. Box 44848, Madison, WI É.-U. 53744, 800-222-7820

State of California
Department of Public Health
Water Treatment Device
Certificate Number
05 - 1708

Date Issued: April 18, 2010

Trademark/Model Designation

Sub-Zero 4290510

Replacement Elements

4204490

Manufacturer: 3M Purification Inc.

The water treatment device(s) listed on this certificate have met the testing requirements pursuant to Section 116830 of the Health and Safety Code for the following health related contaminants:

Microbiological Contaminants and Turbidity

Cysts
Turbidity

Inorganic/Radiological Contaminants

Asbestos
Lead
Mercury

Organic Contaminants

Atrazine
Benzene
Carbofuran
Lindane
p-dichlorobenzene
Toxaphene

Rated Service Capacity: 750 gals

Rated Service Flow: 0.78 gpm

Conditions of Certification:

Do not use where water is microbiologically unsafe or with water of unknown quality, except that systems certified for cyst reduction may be used on disinfected waters that may contain filterable cysts.

Dépannage

FONCTIONNEMENT DE L'UNITÉ

Pas de lumière ou de refroidissement.

- Assurez-vous que l'unité est sous tension.
- Vérifiez l'alimentation électrique vers l'unité et que le disjoncteur de la résidence est en marche.

Pas de lumière dans le réfrigérateur ou le congélateur.

- La porte/le tiroir peuvent avoir été laissés entrouverts, ce qui a désactivé les lumières pour éliminer l'excédent de chaleur. Si les lumières sont éteintes, fermez la porte/le tiroir pendant une heure. Si les lumières sont toujours éteintes, communiquez avec le service certifié par l'usine Sub-Zero.
- L'éclairage intérieur à DEL doit être remplacé par le service certifié par l'usine Sub-Zero.

Givre, condensation ou accumulation de glace à l'intérieur de l'unité.

- Assurez-vous que le condensateur est propre.
- Assurez-vous que la porte se ferme correctement.
- Assurez-vous que la porte/le tiroir n'aient pas été laissés entrouverts.
- Vérifiez que le joint de la porte/du tiroir n'ait pas de coupures ou déchirures. Le cas échéant, communiquez avec le service certifié par l'usine Sub-Zero.
- Si le glaçage est épais, éteignez l'appareil et utilisez un sèche-cheveux pour faire fondre la glace. Le sèche-cheveux doit être réglé sur faible et en mouvement constamment. Une fois la glace fondue, essuyez l'eau avec un chiffon ou une serviette en papier.

Températures élevées, l'unité fonctionne de façon excessive ou émet trop de chaleur.

- Assurez-vous que le condensateur est propre.
- Assurez-vous que la porte se ferme correctement.
- Assurez-vous que la porte/le tiroir n'aient pas été laissés entrouverts.
- Des températures ambiantes élevées peuvent faire fonctionner les compresseurs plus longtemps.
- Si l'affichage de température indique 38° et 0°, mais ne refroidit pas, l'unité peut se trouver en mode de salle d'exposition. Communiquez avec le service à la clientèle de Sub-Zero à 800-222-7820.

L'eau ne s'écoule pas du distributeur.

- Attendez une heure, puis essayez le distributeur à nouveau. Communiquez avec le service à la clientèle de Sub-Zero au 800-222-7820 si cela ne résout pas le problème.

Dépannage

PRODUCTION DE GLAÇONS

Pas de glace.

- Vérifiez que l'indicateur de glaçons apparaît sur l'écran du panneau de commande.
- Vérifiez que la machine à glaçons ait été mise en marche pendant au moins 24 heures.
- Vérifiez que la température du congélateur soit près de 0 °F.
- Vérifiez que le contenant à glace soit correctement installé.
- Vérifiez que le bras de la machine à glaçons est en position abaissée.
- Vérifiez qu'il y ait de l'eau alimentée vers l'unité.
- Vérifiez que le filtre à eau ait été remplacé au cours des douze derniers mois et correctement installé.
- Vérifiez que le filtre à eau ait été retiré si un système de filtration à osmose inverse est utilisé.

Les glaçons sont bleus ou verts.

- Possibilité de corrosion de la conduite d'alimentation en cuivre. Communiquez avec un plombier pour la faire nettoyer ou remplacer.

Flocons noirs sur les glaçons.

- Cessez d'utiliser et communiquez avec le service certifié par l'usine Sub-Zero.

Mauvais goût.

- Décongelez le congélateur et nettoyez avec de l'eau et du savon.
- Placez des marcs de café ou des briquettes de charbon dans le congélateur pour absorber l'odeur.

Glaçons creux.

- Nettoyez le condensateur. Communiquez avec le service certifié par l'usine Sub-Zero si cela ne corrige pas le problème.

ODEUR

- L'unité doit être nettoyée avant de l'utiliser la première fois. Cela éliminera les odeurs qui ont pu être captées lors de l'expédition.
- Remplacez la cartouche de purification d'air.
- Nettoyez l'unité et les tablettes à fond.
- Des aliments non couverts peuvent dégager une odeur qui peut nécessiter un nettoyage.

Dépannage

SERVICE

- Préservez la qualité intégrée dans votre produit en communiquant avec un service certifié par l'usine Sub-Zero. Pour obtenir le nom du centre de service Sub-Zero certifié par l'usine le plus près de chez vous, consultez la section Contact et assistance de notre site Web, subzero.com ou appelez le service à la clientèle de Sub-Zero au 800-222-7820.
- Avant d'appeler pour obtenir du service, ayez en main les numéros de modèle et de série de votre unité. Les deux numéros sont indiqués sur la plaque signalétique du produit. Reportez-vous à la page 4 pour connaître l'emplacement de la plaque signalétique.
- Pour les besoins de la garantie, vous devrez aussi avoir la date d'installation et le nom de votre dépositaire Sub-Zero autorisé. Ces renseignements doivent être notés à la page 2.

Garantie limitée résidentielle Sub-Zero

POUR UTILISATION RÉSIDENTIELLE

GARANTIE COMPLÈTE DE DEUX ANS*

Pendant deux ans à compter de la date d'installation originale, cette garantie de produit Sub-Zero couvre toutes les pièces et la main d'œuvre pour réparer ou remplacer, selon un usage résidentiel normal, toute partie du produit qui s'avérerait défectueuse en vertu des matériaux ou de la fabrication. Le service fourni par Sub-Zero en vertu de la garantie ci-dessus doit être effectué par un centre de service Sub-Zero certifié par l'usine, à moins d'être précisé autrement par Sub-Zero, Inc. Le service sera fourni pendant les heures normales d'ouverture.

GARANTIE COMPLÈTE DE CINQ ANS SUR LE SYSTÈME SCELLÉ

Pendant cinq ans à compter de la date d'installation originale, cette garantie de produit Sub-Zero couvrira toutes les pièces et la main d'œuvre pour réparer ou remplacer, selon un usage résidentiel normal, les pièces qui s'avèreraient défectueuses en vertu des matériaux ou de la fabrication : le compresseur, le condensateur, l'évaporateur, le déshydrateur et toute la tuyauterie de connexion. Le service fourni par Sub-Zero en vertu de la garantie ci-dessus doit être effectué par un centre de service Sub-Zero certifié par l'usine, à moins d'être précisé autrement par Sub-Zero, Inc. Le service sera fourni pendant les heures normales d'ouverture.

GARANTIE LIMITÉE DE DOUZE ANS SUR LE SYSTÈME SCELLÉ

Pendant douze ans à compter de la date originale d'installation, Sub-Zero réparera ou remplacera les pièces suivantes qui s'avèreront défectueuses en vertu des matériaux ou de la fabrication : le compresseur, le condensateur, l'évaporateur, le déshydrateur et toute la tuyauterie de connexion. Si le propriétaire utilise le service Sub-Zero certifié en usine, le fournisseur de service réparera ou remplacera ces pièces et le propriétaire paiera pour tous les autres frais, y compris la main d'œuvre. Si le propriétaire utilise un service non certifié, il doit communiquer avec Sub-Zero, Inc. (avec les renseignements ci-dessous) pour obtenir des pièces réparées ou de rechange. Sub-Zero ne remboursera pas le propriétaire pour les pièces achetées d'un service non certifié ou d'autres sources.

CONDITIONS S'APPLIQUANT À CHAQUE GARANTIE

La garantie s'applique uniquement aux produits installés pour un usage résidentiel normal. La garantie s'applique seulement aux produits installés dans l'un des cinquante états des États-Unis, dans le District of Columbia ou les dix provinces du Canada. Cette garantie ne couvre pas les pièces ou la main d'œuvre pour corriger tout défaut causé par de la négligence, un accident ou une utilisation, un entretien, une installation, un service ou une réparation inappropriés.

LES REMÈDES DÉCRITS CI-DESSUS POUR CHAQUE GARANTIE SONT LES SEULS OFFERTS PAR SUB-ZERO, INC. EN VERTU DE CETTE GARANTIE OU DE TOUTE GARANTIE DÉCOULANT DE L'OPÉRATION DE LA LOI. SUB-ZERO, INC. NE SERA PAS RESPONSABLE DES DOMMAGES INDIRECTS OU CONSÉCUTIFS ISSUS DE LA VIOLATION DE CETTE GARANTIE OU DE TOUTE AUTRE GARANTIE, EXPRESSE, IMPLICITE OU LÉGALE.

Certaines provinces ne permettent pas l'exclusion ou la restriction des dommages indirects ou consécutifs, par conséquent, la limite ou l'exclusion ci-dessus peut ne pas s'appliquer à votre cas. Cette garantie vous confère des droits légaux précis et vous pouvez aussi avoir d'autres droits légaux qui peuvent varier d'une province à l'autre.

Pour obtenir des pièces et/ou du service et le nom du centre de service Sub-Zero certifié par l'usine le plus près de chez vous, communiquez avec Sub-Zero, Inc., P.O. Box 44848, Madison WI, 53744 É.-U.; vérifiez la section Contact et assistance de notre site Web, subzero.com, envoyez-nous un courriel à customerservice@subzero.com ou composez le 800-222-7820.

*L'acier inoxydable (les portes, les panneaux, les poignées, les cadres et les surfaces intérieures) est couvert par une garantie limitée de 60 jours sur les pièces et la main d'œuvre pour toute défectuosité cosmétique.

*Les cartouches du filtre à eau et de purification d'air de rechange ne sont pas couvertes par la garantie du produit.





SUB-ZERO, INC. P.O. BOX 44848 MADISON, WI 53744 SUBZERO.COM 800.222.7820

7025871 REV-A

10/2014

