



CHROME
01034464

BRUSHED CHROME
010344565

MATTE BLACK
01034466

HYDROTAP® CLASSIC FOR OFFICE

CHILLED | SPARKLING

The HydroTap Classic CS175 will have your office* saving thousands of bottles a year with on demand sparkling water and thirst-quenching chilled water, advanced smart technology, beautiful accessible design and high filtration for healthier living.

*maximum office size = 100 people

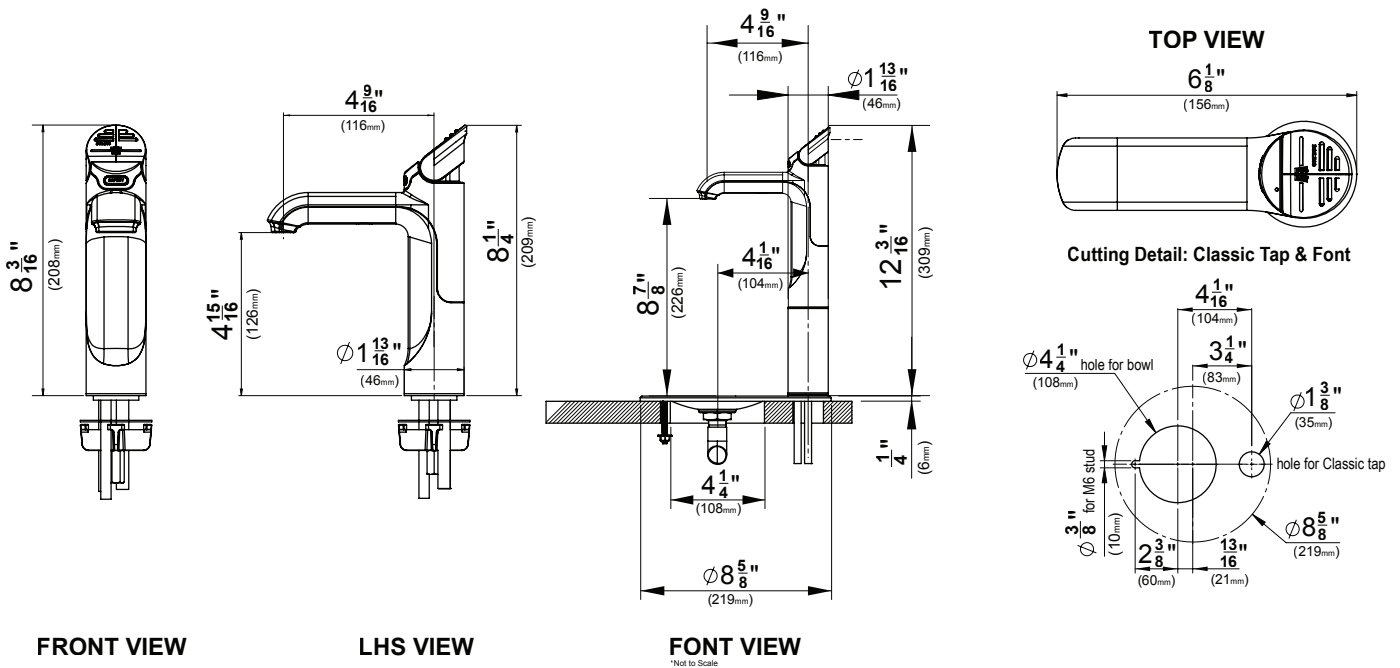
HYDROTAP® CLASSIC FOR OFFICE

CHILLED | SPARKLING



TAP SPECS

Style	Hydrotap Classic-includes child safety lock
Hole Size	1 3/8"
Available Finishes	Chrome, Brushed Chrome & Matte Black
Installation	Over Sink or On Drip Tray (Optional Font - see accessories)
Flow rate	Max 1.8gpm
Sparkling Water Flow Rate	0.36gpm



ORDER CODES FOR PRODUCTS

01034464	CS175 - Classic (Chrome)
01034465	CS175 - Classic (Brushed Chrome)
01034466	CS175 - Classic (Matte Black)

ORDER CODES FOR OPTIONAL FONTS

01034266	Drip Tray, Classic Font (Chrome)
01034267	Drip Tray, Classic Font (Brushed Chrome)
01034268	Drip Tray, Classic Font (Matte Black)

ORDER CODES FOR OPTIONAL VENT CODE

01034281	Vent Tray CS
----------	--------------

ORDER CODES FOR REPLACEMENT FILTERS

01034277	Filter, Zip, 0.2 Micron, 1.5 Size - 93702
01034278	Filter, Zip, 3 Micron, 1.5 Size - 93703
01034279	Filter, Zip, 0.2 Micron - Non-Carbon, 1.5 Size - 93706

ORDER CODES FOR REPLACEMENT CO₂

01034348	Zip 1 x 5lb CO ₂ refillable/recyclable cylinders
01034349	Zip CO ₂ Regulator

*maximum office size = 100 people

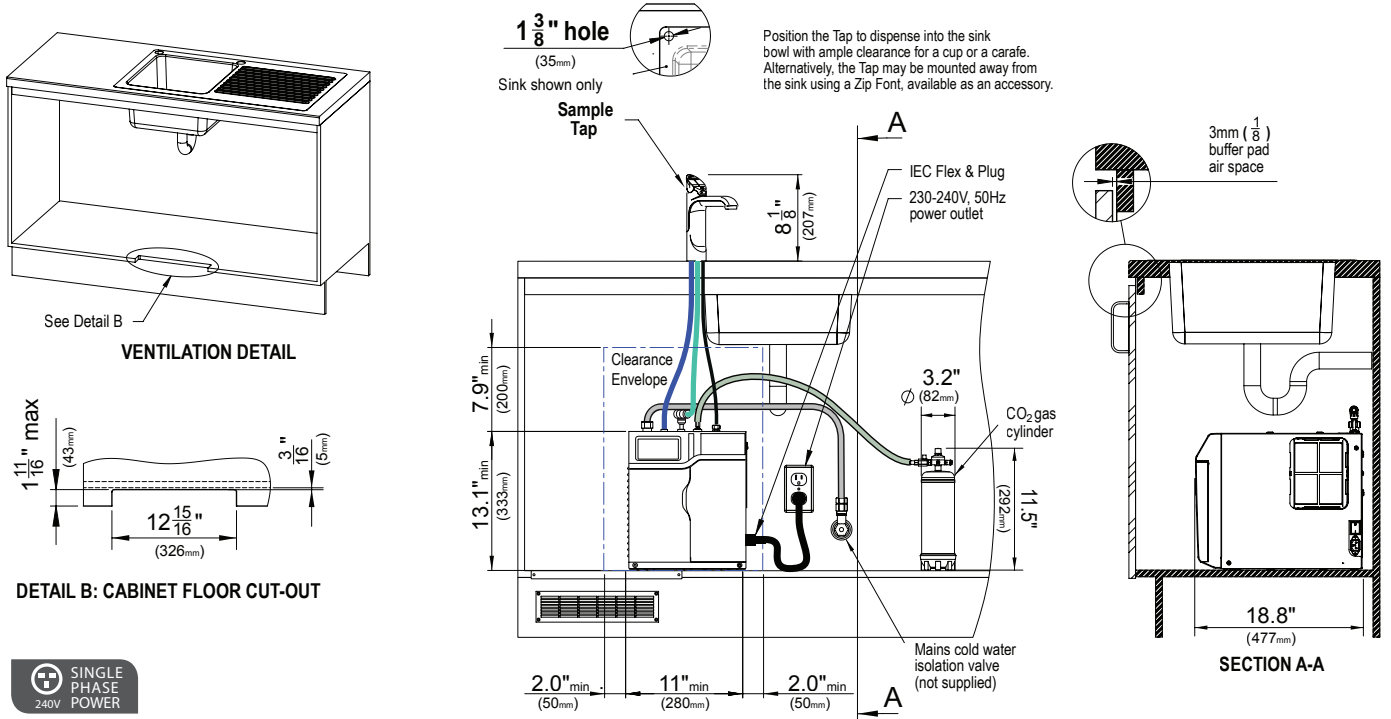
HYDROTAP® CLASSIC FOR OFFICE

CHILLED | SPARKLING



COMMAND CENTER SPECS

Water Pressure	Min 30psi – Max 75psi with a minimum flow rate of 1 gpm
Water Connection	½" BSP - isolation valve is required within 3' of the installation
Integral Water Values	HydroTaps are fitted with a Dual check valve and a 50psi Pressure Limiting Valve
Water Supply Requirements	Potable drinking water supply
Total Dissolved Solids (TDS)	TDS Min 50ppm – Max 120ppm
Integral Water Filter	0.2 micron, 1.5 size - Replace every 1,800 gallons or 6 months
Power Rating	220-240V, 50 Hz, 0.45kW
Power Supply Requirements	220-240V, 50/60Hz 15 amp power supply with a NEMA 6-15 outlet
Dimensions (WxDxH)	11" x 18.8" x 13.1"
Minimum Air Gap	Clearances are required - 2" Left side , 2" Right side , 8" above
Dry Weight	85lbs
Product Approvals	WQA - NSF/ANSI 372, 42 & 53, cUL, CEC, ADA compliant
Warranty	2 years (1 year Limited Warranty plus additional 1 year warranty is available on product registration)
CO ₂ Cylinder	1 x 5lb Beverage Grade Carbon Dioxide Cylinder
CO ₂ Capacity	Approximatly 1,600 8oz cups
CO ₂ Operating Pressure	Min 39psi - Max 43psi



Installation and connection of your HydroTap must be carried out by a qualified person, observing all local, state & federal regulations. You will require suitable 220 -240V 50/60Hz 15 amp power supply with a NEMA 6-15 electrical outlet within 3' of the product. The HydroTap is an air-cooled system so discrete cabinetry cut-outs are required for ventilation. Installation on most counter tops is straightforward however some stone counter tops may require a specialized cutting service. If using a drip tray (font) accessory suitable drainage to a trapped waste is required within 3' of the installation. If you live in an area with hard water (more than 120ppm), we recommend installation of a scale filtration kit. Sufficient space and clearance to install the HydroTap as detailed in the product installation guidelines is required. Installation by Zip Professional Service can be arranged with a phone call to 1-833-233-2358 or through www.us.zipwater.com

*maximum office size = 100 people