



CHROME
01034441

BRUSHED CHROME
01034442

MATTE BLACK
01034443

HYDROTAP® CLASSIC FOR HOME

CHILLED | SPARKLING

Elevate your drinking water and save space in your fridge with the iconic design of the HydroTap Classic CS and get on demand sparkling and chilled still water at home or at work*.Unbottle the future. Choose sustainable hydration instead with HydroTap by Zip Water - the world's most advanced drinking water system.

*For home or small office (maximum office size = 20 people)

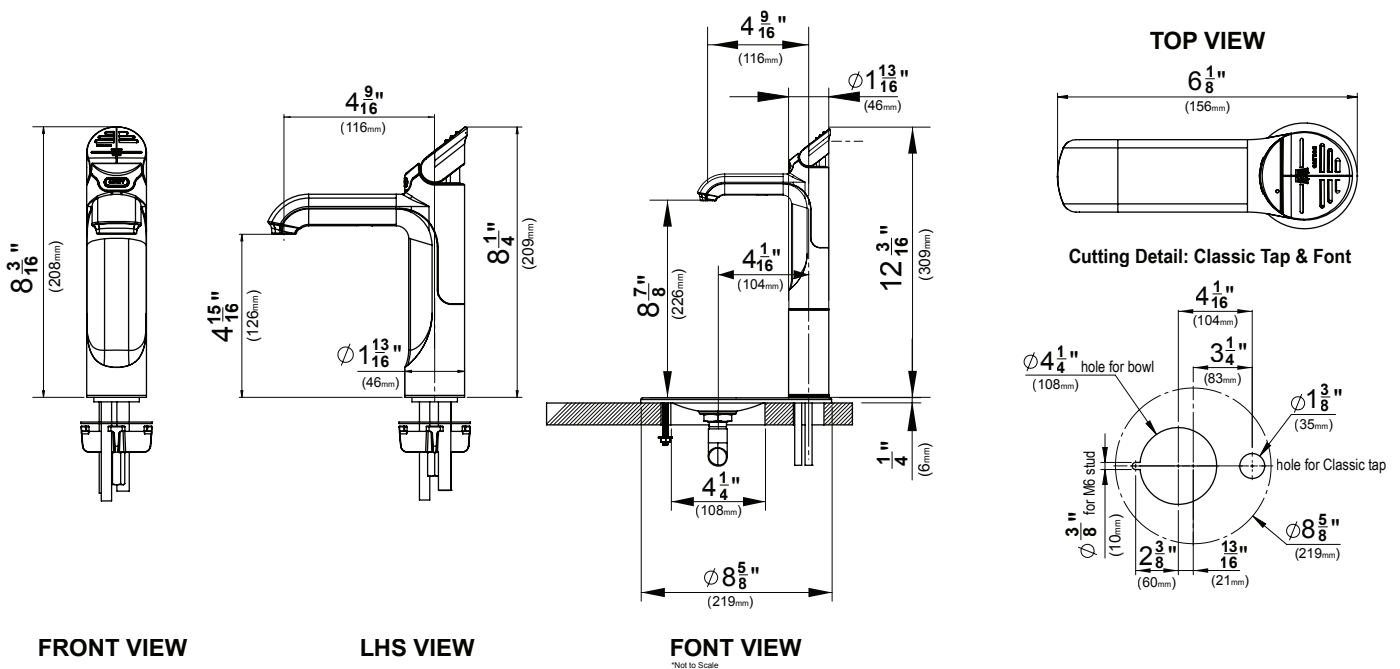
HYDROTAP® CLASSIC FOR HOME

CHILLED | SPARKLING



TAP SPECS

Style	Hydrotap Classic-includes child safety lock
Hole Size	1 3/8"
Available Finishes	Chrome, Brushed Chrome & Matte Black
Installation	Over Sink or On Drip Tray (Optional Font - see accessories)
Flow rate	Max 1.8gpm
Sparkling Water Flow Rate	0.36gpm



ORDER CODES FOR PRODUCTS

01034441	CS75 - Classic (Chrome)
01034442	CS75 - Classic (Brushed Chrome)
01034443	CS75 - Classic (Matte Black)

ORDER CODES FOR OPTIONAL FONTS

01034266	Drip Tray, Classic Font (Chrome)
01034267	Drip Tray, Classic Font (Brushed Chrome)
01034268	Drip Tray, Classic Font (Matte Black)

ORDER CODES FOR REPLACEMENT FILTERS

01034276	Filter, Zip, 0.2 Micron, 1 Size - 93701
01034278	Filter, Zip, 3 Micron, 1.5 Size - 93703

ORDER CODES FOR REPLACEMENT CO2

01034347	Zip 2 x 1.5lb CO2 refillable/recyclable cylinders
01034349	Zip CO2 Regulator

*For home or small office (maximum office size = 20 people)

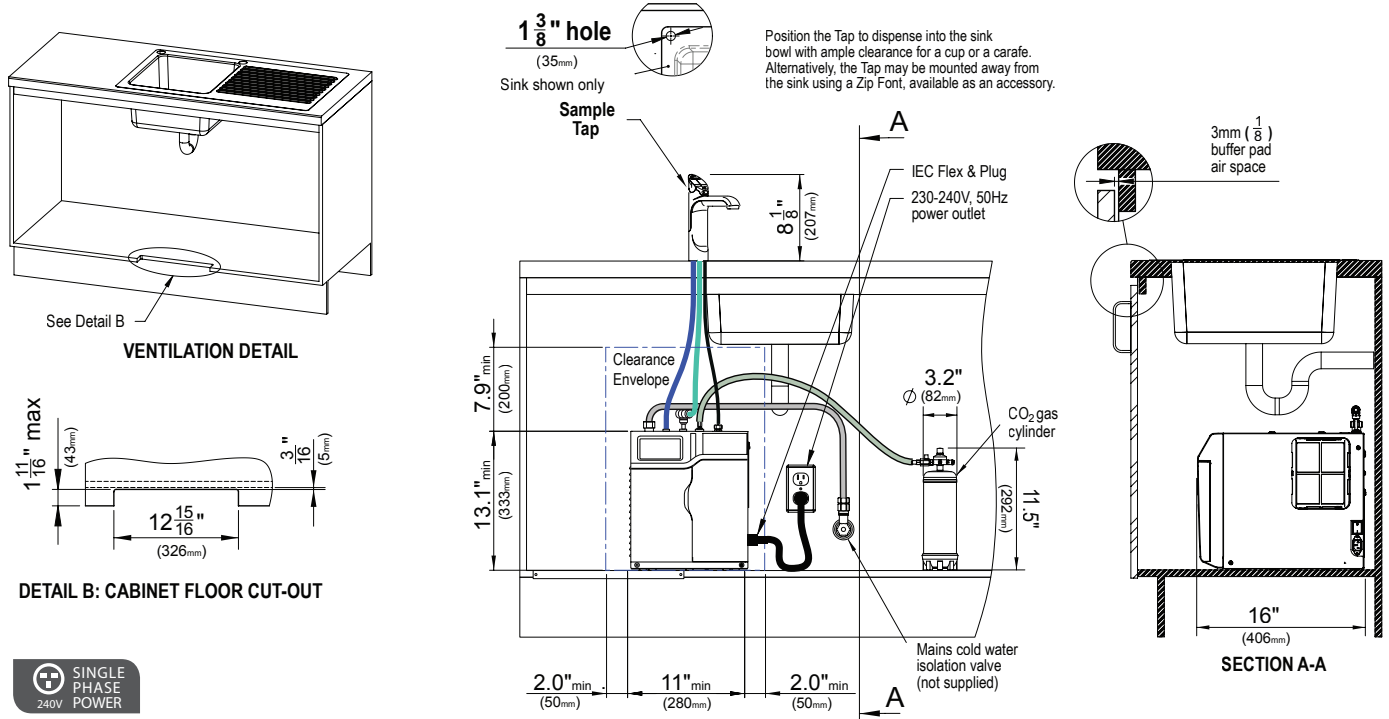
HYDROTAP® CLASSIC FOR HOME

CHILLED | SPARKLING



COMMAND CENTER SPECS

Water Pressure	Min 30psi – Max 75psi with a minimum flow rate of 1 gpm
Water Connection	½" BSP - isolation valve is required within 3' of the installation
Integral Water Values	HydroTaps are fitted with a Dual check valve and a 50psi Pressure Limiting Valve
Water Supply Requirements	Potable drinking water supply
Total Dissolved Solids (TDS)	TDS Min 50ppm – Max 120ppm
Integral Water Filter	0.2 micron, 1 size - Replace every 1,500 gallons or 12 months
Power Rating	220-240V, 50 Hz, 0.341kW
Power Supply Requirements	220-240V, 50/60Hz 15 amp power supply with a NEMA 6-15 outlet
Dimensions (WxDxH)	11" x 16" x 13.1"
Minimum Air Gap	Clearances are required - 2" Left side, 2" Right side, 8" above
Dry Weight	85lbs
Product Approvals	WQA - NSF/ANSI 372, 42 & 53, cUL, CEC, ADA compliant
Warranty	2 years (1 year Limited Warranty plus additional 1 year warranty is available on product registration)
CO ₂ Cylinder	2 x 1.5lb Beverage Grade Carbon Dioxide Cylinder
CO ₂ Capacity	Approximatly 950 8oz cups
CO ₂ Operating Pressure	Min 39psi - Max 43psi



Installation and connection of your HydroTap must be carried out by a qualified person, observing all local, state & federal regulations. You will require suitable 220 -240V 50/60Hz 15 amp power supply with a NEMA 6-15 electrical outlet within 3' of the product. The HydroTap is an air-cooled system so discrete cabinetry cut-outs are required for ventilation. Installation on most counter tops is straightforward however some stone counter tops may require a specialized cutting service. If using a drip tray (font) accessory suitable drainage to a trapped waste is required within 3' of the installation. If you live in an area with hard water (more than 120ppm), we recommend installation of a scale filtration kit. Sufficient space and clearance to install the HydroTap as detailed in the product installation guidelines is required. Installation by Zip Professional Service can be arranged with a phone call to 1-833-233-2358 or through www.us.zipwater.com

*For home or small office (maximum office size = 20 people)