

HydroTap Celsius Plus All-in-One with Pull-Down Sprayer

Boiling/Chilled/Sparkling (BCS) Product Spec Sheet



HydroTap Celsius Plus All-in-One (AIO) with Pull-Down Sprayer

The ultimate in functionality, the HydroTap Celsius AIO with Pull-Down Sprayer is fitted over your sink and offers all five water types – filtered boiling, chilled and sparkling water for drinking, cooking and sanitizing, plus unfiltered hot & cold water for washing hands and dishes. And it's all wrapped up in Zip Water's enduringly stylish design!

So whether you are looking to upgrade your home hydration or you want the convenience of cooking made easy, the HydroTap Celsius Plus AIO with Pull-Down Sprayer is the perfect tap to meet your needs.

The Celsius Plus AIO with Pull-Down Sprayer is available in six luxury finishes from our classic chrome to our stylish brushed gold and gunmetal to complement any kitchen style.

HydroTap Celsius Plus All-in-One with Pull-Down Sprayer Tap - Available Finishes



Chrome



Brushed
Chrome



Matte
Black



Brushed
Gold



Brushed
Nickel



Gunmetal

Product Order Codes for HydroTap Celsius Plus AIO with Pull-Down Sprayer Tap/Faucet (select one)

HydroTap Celsius Plus AIO with Pull-Down Sprayer BCS Tap in Chrome	01045844
HydroTap Celsius Plus AIO with Pull-Down Sprayer BCS Tap in Brushed Chrome	01045845
HydroTap Celsius Plus AIO with Pull-Down Sprayer BCS Tap in Matte Black	01045846
HydroTap Celsius Plus AIO with Pull-Down Sprayer BCS Tap in Brushed Gold	01045847
HydroTap Celsius Plus AIO with Pull-Down Sprayer BCS Tap in Brushed Nickel	01045848
HydroTap Celsius Plus AIO with Pull-Down Sprayer BCS Tap in Gunmetal	01045849

Product Order Code for HydroTap BCS 120V Command Center

HydroTap BCS 120V Command Center	01043466
----------------------------------	----------

Product Order Code for CO₂ and Regulator

2 x 1.5lb Beverage-Grade Carbon Dioxide (CO ₂) Cylinder	01034347
CO ₂ Regulator	01034349
1 x 5lb Beverage-Grade Carbon Dioxide (CO ₂) Cylinder (optional upgrade - if space allows)	01034348

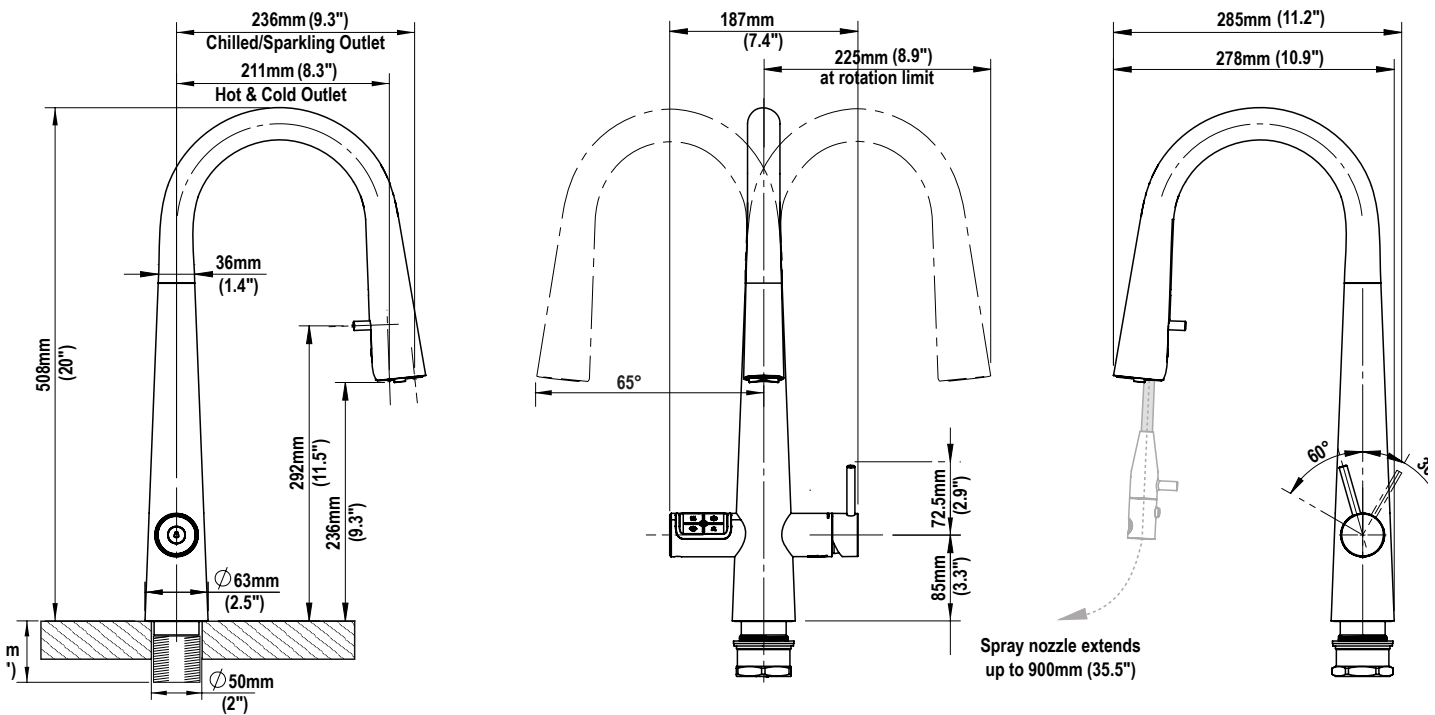
HydroTap Celsius Plus All-in-One with Pull-Down Sprayer

Boiling/Chilled/Sparkling (BCS) Product Spec Sheet



HydroTap Celsius Plus AIO with Pull-Down Sprayer BCS 120V - Tap/Faucet Technical Specs

Style:	HydroTap Celsius Plus All-in-One with Pull-Down Sprayer BCS 120V
Hole Size:	2" / 50mm
Tap Height:	20" (580mm)
Installation:	Over the sink as the primary faucet (includes integrated pull-down sprayer)
Flow Rate:	Max 1.8gpm / 6.8lpm
Sparkling Water Flow Rate	0.4 gpm / 1.5lpm
Mixer Type:	Ceramic disc cartridge
Water outlets:	Installation requires both hot and cold water supplies
Clearance for handle:	Minimum distance from center hole to wall: 3 ⁷ / ₁₆ " (88mm)



HydroTap Celsius Plus All-in-One with Pull-Down Sprayer

Boiling/Chilled/Sparkling (BCS) Product Spec Sheet



HydroTap Celsius Plus AIO with Pull-Down Sprayer BCS 120V - Command Center Technical Specs

Style:	HydroTap Celsius Plus All-in-One with Pull-Down Sprayer BCS 120V
Water outlets:	Installation requires both hot and cold water supplies
Water Pressure:	Min 37psi – Max 100psi (2.60 - 7.03kg/cm ²) with a minimum flow rate of 1 gpm (3.79lpm)
Water Connection:	2 x 1/2" BSP or 3/8" FPT compression (depending on manufacture date) with shut off valve is required within 3' (0.9m) of the installation
Integral Water Values:	All HydroTap systems are fitted with a Dual Check Valve and a 50psi (3.52kg/cm ²) Pressure Limiting Valve
Water Supply Requirements:	Potable drinking water supply
Optimal Total Dissolved Solids (TDS) Range:	TDS Min 50ppm – Max 150ppm
Integral Water Filter:	0.2 micron, 1 size - replace every 1,100 gallons / 4,163 liters or 12 months
Power Rating:	110-120V, 50-60Hz, 15 amp power supply with a NEMA 5-15 outlet
Command Center Dimensions (WxDxH):	13.3" x 18.2" x 13.1" / 339mm x 462mm x 333mm
Minimum Air Gap:	Minimum of 2" / 50mm clearance on left and right side and 8" / 200mm above
Hose Management System (HMS) Dimensions (WxDxH)	8.6" x 4.4" x 9.9" / 219mm x 113mm x 251mm
HMS Placement	Please install the HMS so that the hose itself is aligned directly with the center of the faucet/tap. HMS can be installed between 6"-28" (150mm - 700mm) from the top of the cabinet. Placement toward the top of the cabinet is recommended for wider sinks as it will allow for the longest reach of the hose. Please reference the drawings on the next page for the acceptable offset based on HMS placement.
Minimum Cabinet Size:	30" wide x 24" deep / 762 mm wide x 610mm deep. If installing a garbage disposal in the cabinet, careful consideration needs to be given to the size of the garbage disposal, placement of the drain and overall width of the cabinet to ensure all components will fit.
Maximum Hose Connection Length	3' / 0.9m (tap to command center)
Minimum Distance Needed for Installation	15" / 381mm (interior wall to garbage disposal)
Warranty:	3 years (2 year Limited Warranty plus additional 1 year available on product registration)
Compatible CO₂ Cylinder:	Zip Water 1.5lb CO ₂ or 5lb CO ₂ (if space allows) with CGA-320 fitting
CO₂ Operating Pressure:	Min 39psi - Max 44psi / Min 2.74 - Max 3.09kg/cm ²

HydroTap Celsius Plus All-in-One with Pull-Down Sprayer

Boiling/Chilled/Sparkling (BCS) Product Spec Sheet



Installation Requirements - With Garbage Disposal

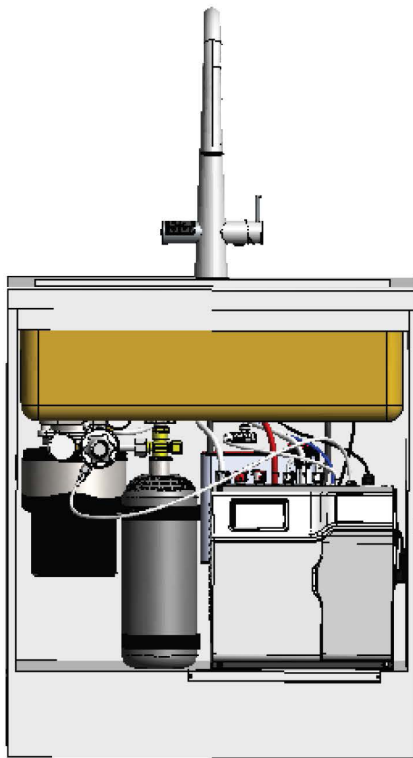
When installing the HydroTap Celsius All-in-One with Pull-Down Sprayer BCS 120V in a cabinet with a garbage disposal, the cabinet must be at least 30" wide x 24" deep and the sink must have an off-centered drain to allow for the placement of the garbage disposal off to one side and the command center to the other.

In a 30" cabinet, the hose management system should fit in the open space behind the command center - either toward the top of the cabinet or the bottom of the cabinet (based on placement of the water shutoff valves).

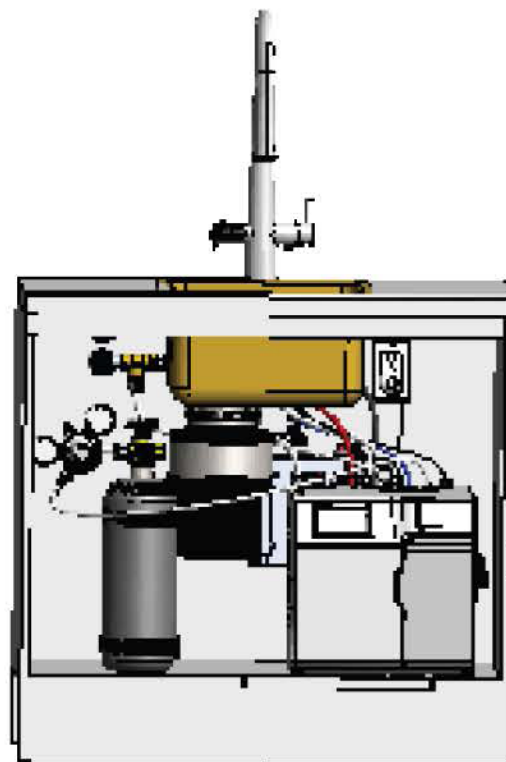
In a 36" double-door cabinet, the hose management system should also fit in the open space between the garbage disposal and the wall - either toward the top of the cabinet or the bottom of the cabinet (based on placement of the water shutoff valves).

The rendering below shows the ideal placements for both a 30" cabinet and a 36" double-door cabinet. For installation with a center drain sink, careful consideration needs to be given to the size of the garbage disposal and overall width of the cabinet.

Please call 833-233-2358 M-F 8am-7pm Central Time with questions.



30" cabinet with garbage disposal and off-centered drain



36" cabinet with garbage disposal and off-centered drain