

HydroTap Celsius Plus All-in-One with Pull-Down Sprayer

Boiling/Chilled (BC) 120V Product Spec Sheet



HydroTap Celsius Plus All-in-One (AIO) with Pull-Down Sprayer Boiling/Chilled (BC) 120V

The HydroTap Celsius AIO with Pull-Down Sprayer Boiling/Chilled (BC) 120V is the ideal multi-function tap for homeowners looking for a kitchen faucet with the added benefit of filtered boiling and chilled water on-demand. The HydroTap Celsius Plus AIO with Pull-Down Spray BC is fitted over your sink and offers four water types – filtered boiling and chilled water for drinking, cooking and sanitizing, plus unfiltered hot & cold water for washing hands and dishes. And it's all wrapped up in Zip Water's enduringly stylish design!

So whether you are looking to upgrade your home hydration or you want the convenience of cooking made easy, the HydroTap Celsius Plus AIO with Pull-Down Sprayer BC is the perfect tap to meet your needs.

The Celsius Plus AIO with Pull-Down Sprayer is available in seven luxury finishes from our classic chrome to our stylish brushed gold and gunmetal to complement any kitchen style.

HydroTap Celsius Plus All-in-One with Pull-Down Sprayer BC Tap - Available Finishes



Product Order Codes for HydroTap Celsius Plus AIO with Pull-Down Sprayer Tap/Faucet (select one)

HydroTap Celsius Plus AIO with Pull-Down Sprayer BC Tap in Chrome	01045850
HydroTap Celsius Plus AIO with Pull-Down Sprayer BC Tap in Brushed Chrome	01045851
HydroTap Celsius Plus AIO with Pull-Down Sprayer BC Tap in Matte Black	01045852
HydroTap Celsius Plus AIO with Pull-Down Sprayer BC Tap in Brushed Gold	01045853
HydroTap Celsius Plus AIO with Pull-Down Sprayer BC Tap in Polished Nickel	01048876
HydroTap Celsius Plus AIO with Pull-Down Sprayer BC Tap in Brushed Nickel	01045854
HydroTap Celsius Plus AIO with Pull-Down Sprayer BC Tap in Gunmetal	01045855

Product Order Code for HydroTap BC 120V Command Center

HydroTap Boiling/Chilled (BC) 120V Command Center	01043465
---	----------

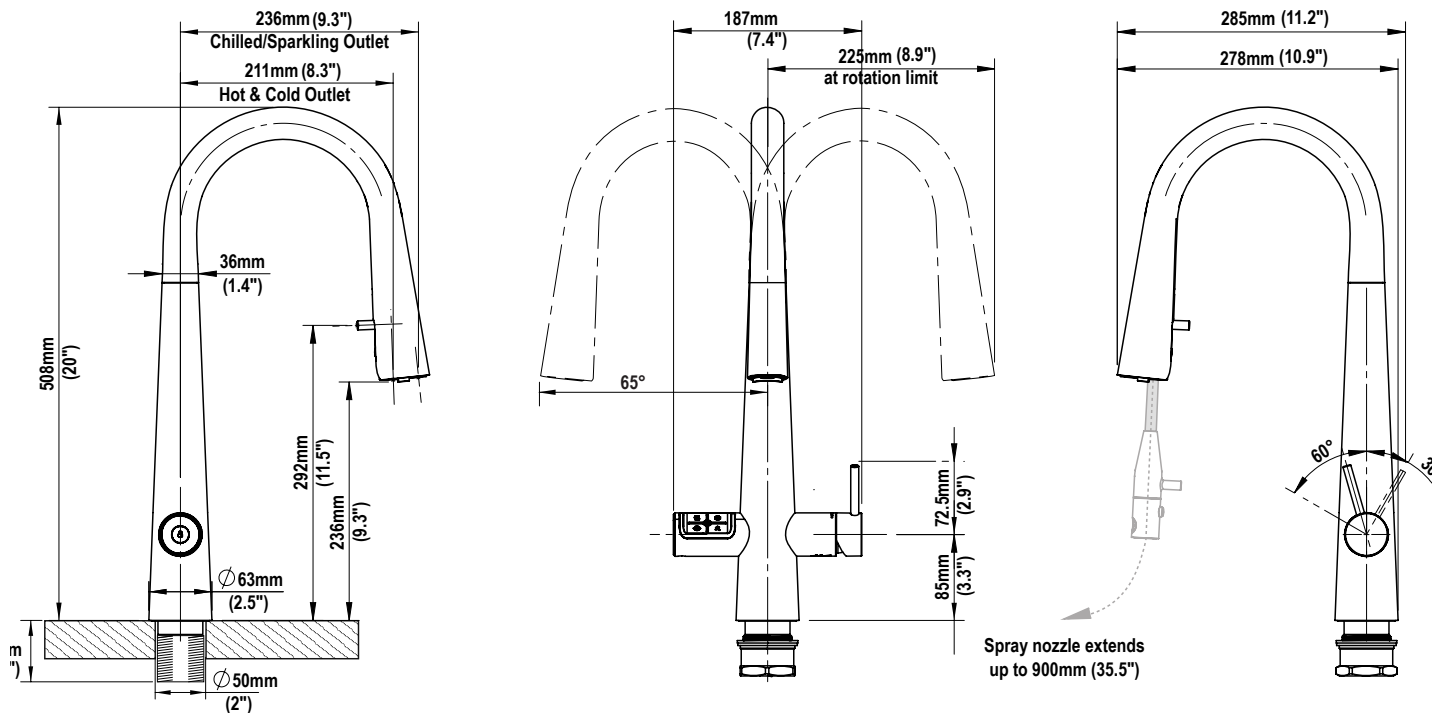
HydroTap Celsius Plus All-in-One with Pull-Down Sprayer

Boiling/Chilled (BC) 120V Product Spec Sheet



HydroTap Celsius Plus AIO with Pull-Down Sprayer BC 120V - Tap/Faucet Technical Specs

Style:	HydroTap Celsius Plus All-in-One with Pull-Down Sprayer BC 120V
Hole Size:	2" / 50mm
Tap Height:	20" (580mm)
Installation:	Over the sink as the primary faucet (includes integrated pull-down sprayer)
Flow Rate:	Max 1.8gpm / 6.81 lpm
Mixer Type:	Ceramic disc cartridge
Water outlets:	Installation requires both hot and cold water supplies
Clearance for handle:	Minimum distance from center hole to wall: 3 7/16" (88mm)



HydroTap Celsius Plus All-in-One with Pull-Down Sprayer

Boiling/Chilled (BC) 120V Product Spec Sheet



HydroTap Celsius Plus AIO with Pull-Down Sprayer BC 120V - Command Center Technical Specs

Style:	HydroTap Celsius Plus All-in-One with Pull-Down Sprayer BC 120V
Water outlets:	Installation requires both hot and cold water supplies
Water Pressure:	Min 37psi – Max 100psi (2.60 - 7.03kg/cm ²) with a minimum flow rate of 1 gpm (3.79lpm)
Water Connection:	2 x 1/2" BSP or 3/8" FPT compression (depending on manufacture date) with shut off valve is required within 3' (0.9m) of the installation
Integral Water Values:	All HydroTap systems are fitted with a Dual Check Valve and a 50psi (3.52kg/cm ²) Pressure Limiting Valve
Water Supply Requirements:	Potable drinking water supply
Optimal Total Dissolved Solids (TDS) Range:	TDS Min 50ppm – Max 150ppm
Integral Water Filter:	0.2 micron, 1 size - replace every 1,100 gallons / 4,163 liters or 12 months
Power Rating:	110-120V, 50-60Hz, 15 amp power supply with a NEMA 5-15 outlet
Command Center Dimensions (WxDxH):	13.3" x 18.2" x 13.1" / 339mm x 462mm x 333mm
Minimum Air Gap:	Minimum of 2" / 50mm clearance on left and right side and 8" / 200mm above
Hose Management System (HMS) Dimensions (WxDxH)	8.6" x 4.4" x 9.9" / 219mm x 113mm x 251mm
HMS Placement	Please install the HMS so that the hose itself is aligned directly with the center of the faucet/tap. HMS can be installed between 6"-28" (150mm - 700mm) from the top of the cabinet. Placement toward the top of the cabinet is recommended for wider sinks as it will allow for the longest reach of the hose. Please reference the drawings on the next page for the acceptable offset based on HMS placement.
Minimum Cabinet Size:	30" wide x 24" deep / 762 mm wide x 610mm deep. If installing a garbage disposal in the cabinet, careful consideration needs to be given to the size of the garbage disposal, placement of the drain and overall width of the cabinet to ensure all components will fit.
Maximum Hose Connection Length	3' / 0.9m (tap to command center)
Minimum Distance Needed for Installation	15" / 381mm (interior wall to garbage disposal)
Warranty:	3 years (2 year Limited Warranty plus additional 1 year available on product registration)

HydroTap Celsius Plus All-in-One with Pull-Down Sprayer

Boiling/Chilled (BC) 120V Product Spec Sheet



Installation Requirements

The HydroTap is a pump-driven system so the installation of the Tap must be within 3' (0.9m) of the base command center. Installation on most countertops is straightforward however, some stone countertops may require a specialized cutting service.

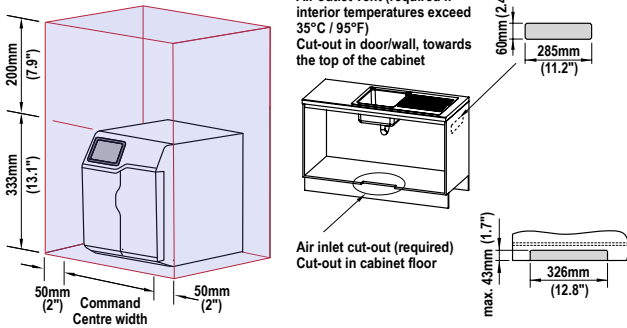
Installation and connection of your HydroTap must be carried out by a qualified person, observing all local, state, & federal regulations.

BKL2 US HydroTap G5 v1.01 12.23 BCS BCS20

Ventilation requirements Contact your local service provider if ventilation is not suitable

Clearance envelope

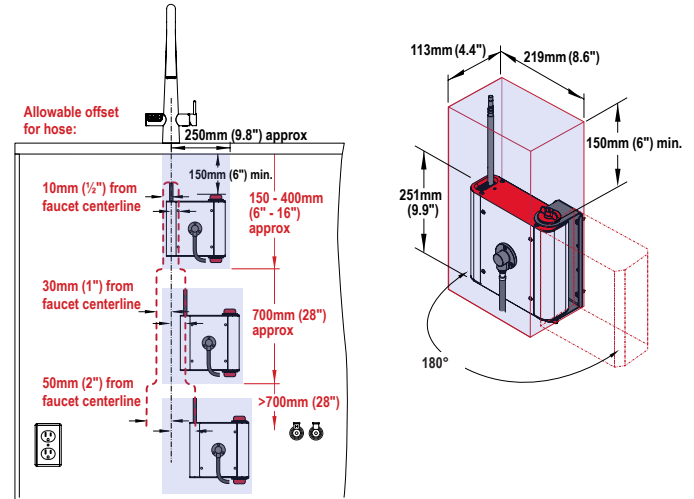
Position the Faucet and the Command Centre as close together as possible.



Hose Management System

For ease of installation, the wall area directly under the tap and to either the right or left side, as shown, should be clear of obstructions. Locate water and electricity outlets elsewhere.

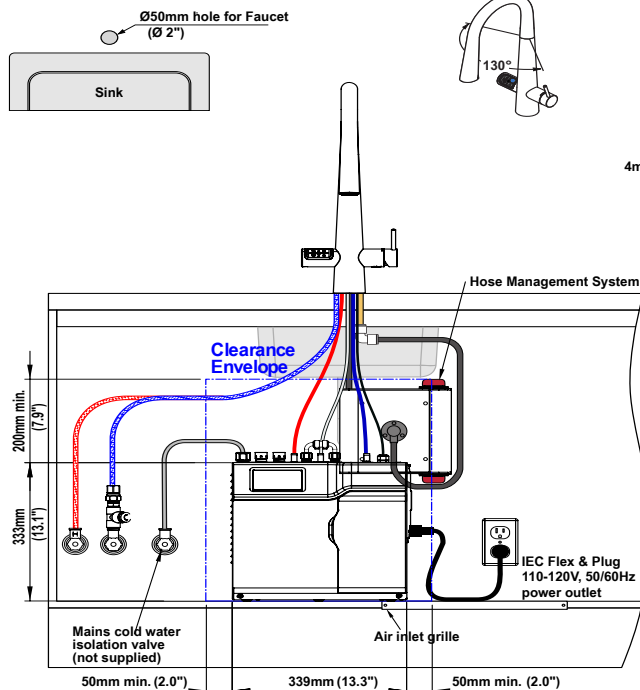
Rotate the Hose Management System to align the hose within the allowable offset. Refer to the instructions supplied.



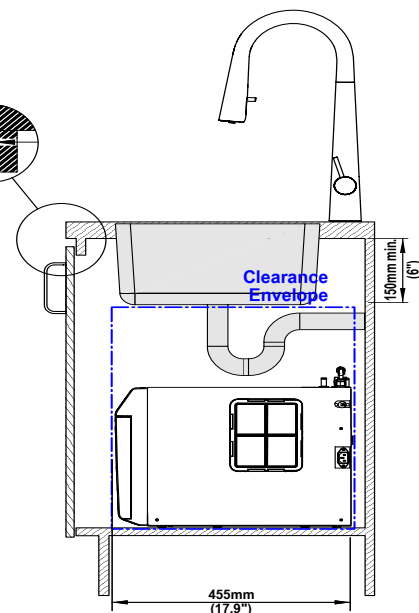
Faucet Positioning

Position Faucet to dispense into the sink, allowing clearance for a cup or teapot.

Allow clearance for spout rotation



4mm (0.2") buffer pad air space



HydroTap Celsius Plus All-in-One with Pull-Down Sprayer

Boiling/Chilled (BC) 120V Product Spec Sheet



Installation Requirements - With Garbage Disposal

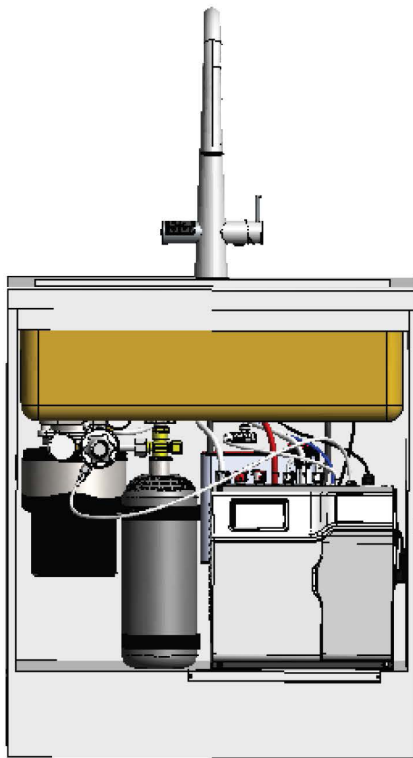
When installing the HydroTap Celsius All-in-One with Pull-Down Sprayer BC 120V in a cabinet with a garbage disposal, the cabinet must be at least 30" wide x 24" deep and the sink must have an off-centered drain to allow for the placement of the garbage disposal off to one side and the command center to the other.

In a 30" cabinet, the hose management system should fit in the open space behind the command center - either toward the top of the cabinet or the bottom of the cabinet (based on placement of the water shutoff valves).

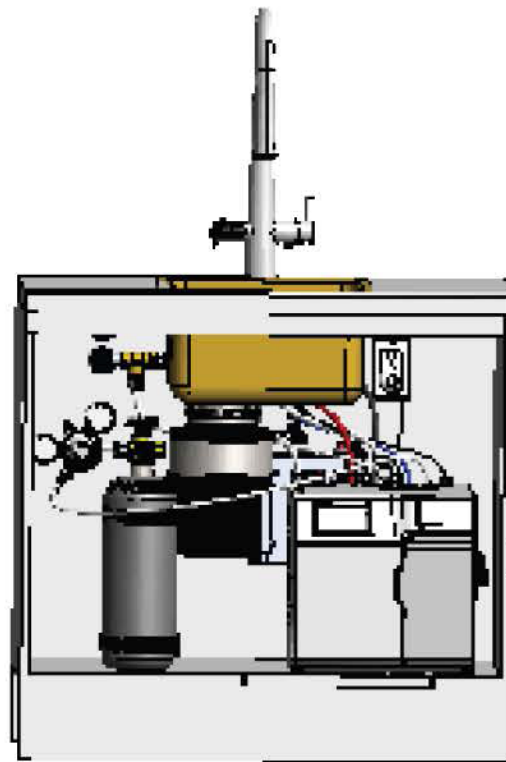
In a 36" double-door cabinet, the hose management system should also fit in the open space between the garbage disposal and the wall - either toward the top of the cabinet or the bottom of the cabinet (based on placement of the water shutoff valves).

The rendering below shows the ideal placements for both a 30" cabinet and a 36" double-door cabinet. For installation with a center drain sink, careful consideration needs to be given to the size of the garbage disposal and overall width of the cabinet.

Please call 1-833-233-2358 M-F 8am-7pm Central Time with questions.



30" cabinet with garbage disposal and off-centered drain



36" cabinet with garbage disposal and off-centered drain