

# HydroTap Arc CS Tap

Product Spec Sheet



## HydroTap Arc Chilled/Sparkling (CS) Tap

Elevate your home hydration with the HydroTap Arc CS Tap and enjoy instant access to filtered chilled and sparkling water from the tap.

The HydroTap Arc is timeless and enduringly classic tap style. With its curved 'swan neck', it will complement any kitchen or wet bar design – from traditional to contemporary.

This tap style can be installed over the sink as a secondary tap or over our optional design range front/drip tray. The HydroTap Arc tap is available in seven different finishes from a classic chrome to a modern gunmetal.

## HydroTap Arc CS Tap - Available Finishes



Chrome



Brushed  
Chrome



Matte  
Black



Brushed  
Gold



Nickel



Brushed  
Nickel



Gunmetal

## Product Order Codes for HydroTap Arc CS Taps

HydroTap Arc CS Tap in Chrome	01034231
HydroTap Arc CS Tap in Brushed Chrome	01034232
HydroTap Arc CS Tap in Matte Black	01034233
HydroTap Arc CS Tap in Brushed Gold	01034235
HydroTap Arc CS Tap in Nickel	01034236
HydroTap Arc CS Tap in Brushed Nickel	01034237
HydroTap Arc CS Tap in Gunmetal	01041867

Please see individual product spec sheets for command center and accessory product specs and order codes.

# HydroTap Arc CS Tap

Product Spec Sheet



## Installation Requirements

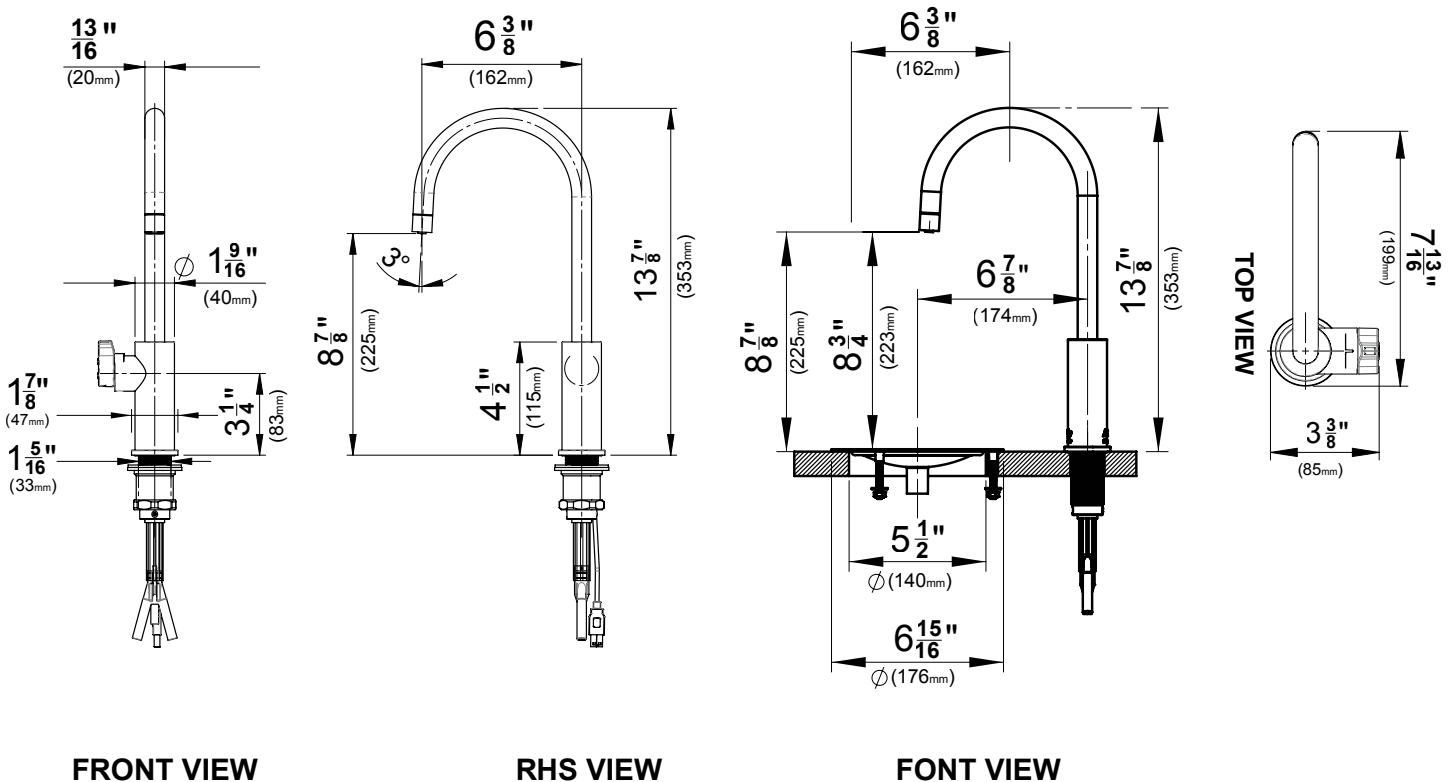
The HydroTap is a pump-driven system so the installation of the Tap must be within 3' (0.9m) of the base command center. Installation on most countertops is straightforward however, some stone countertops may require a specialized cutting service.

If using a drip tray (font) accessory, suitable drainage to a trapped waste is required within 3' (0.9m) of the installation. Sufficient space and clearance to install the HydroTap as detailed in the product installation guidelines is required.

Installation and connection of your HydroTap must be carried out by a qualified person, observing all local, state, & federal regulations.

## HydroTap Arc CS - Tap Specs

<b>Style:</b>	HydroTap Arc Tap (CS)
<b>Hole Size:</b>	1 - 3/8" / 35mm
<b>Tap Height:</b>	11 15/16" - 13 7/8" / 303mm - 353mm adjustable height (when installed over sink)
<b>Installation:</b>	Over sink as a secondary tap or on optional font/drip tray; Handle orientation - left or right side
<b>Flow Rate:</b>	Max 1.8 gpm / 6.81 lpm
<b>Sparkling Water Flow Rate</b>	0.4 gpm / 1.51 lpm
<b>Product Certifications:</b>	IAPMO - NSF/ANSI 372, 42, 53, CSA B438.1, ASSE 1087; cUL; CEC
<b>ADA Compliant:</b>	Yes



Installation by Zip Professional Service is available in select metro areas and can be arranged with a phone call to 1-833-233-2358 or by emailing [wecare@na.zipwater.com](mailto:wecare@na.zipwater.com). Technical Installation assistance over phone or video call can be obtained by calling our customer care line at 833-233-2358, Monday through Friday 8am - 5pm Central Time.