

Installation instructions

Topmount Sinks

General Recommendations:

Please

Read installation and maintenance instruction thoroughly.
Be sure to use proper tools and always wear personal safety devices for your protection

Warranty

HOUZER stainless steel sinks are produced to highest manufacturing standards using premium grade type-304 stainless steel and are covered by a limited lifetime warranty.
Carefully follow the step-by-step installation instructions.
That way you'll ensure complete satisfaction and protect your warranty.

Long-Life care

HOUZER Stainless Steel Sinks are easy to keep new looking, longer, with minimal care. For the best results, always rinse with a mild soap and wipe dry after each use. Rub lightly with soft cloth in direction of grain line on a regular basis. To avoid damage to sink surface and discoloration, never use a steel wool or scouring pad.

Tools and Materials needed:

Tape Measure	Framing Square	Eye Protection
Hacksaw/Jigsaw	Ear Protection	Silicone Adhesive Sealant
Rags	Shims	Wood Braces
Pencil (NOT ink)	Denatured Alcohol	

Be sure to use proper tools and always wear personal safety devices for your protection.

Installation Instructions

Please carefully read complete instructions before beginning installation.

Note: These instructions are for installation with solid surface, composite material countertops. Houzer recommends professional countertop installers and is not responsible for damages to the countertop or sink during installation.

1. Remove your new Enex sink from the carton. Use caution as sink edges may cause minor cuts. Wear safety gloves for your protection.
2. Remove your old sink and check cutout opening of the counter top to be sure it is sized properly. See cutout dimensions below and verify your new sink will fit to the opening by setting new sink to the counter top temporarily. Cutout dimensions of all Enex sinks are as below.

Sink Type	Overall Size	Cutout dimension
Single Bowl	25" X 22"	24-3/8" X 21-3/8"
Double Bowl	33" X 22"	32-3/8" X 21-3/8"
Mobil Home	33" X 19"	32-3/8" X 18-3/8"
Bar Sink	15" X 15"	14-3/8" X 14-3/8"

3. If you are installing a sink to a new counter top please follow directions as shown.
4. Place sink upside down on the counter top in desired position and trace completely outside sink rim using soft lead pencil. (Figure 1)
5. Remove sink from counter top and draw cutout line 5/16" inside the original rim outside line with 1-1/2" radius at corners. Drill hole at the inside corner of the cutout line. (Figure 2)
6. Using a sabre saw, start cutting from the drilled hole along the cutout line. Support cutout until the cut is completed. (Figure 3)

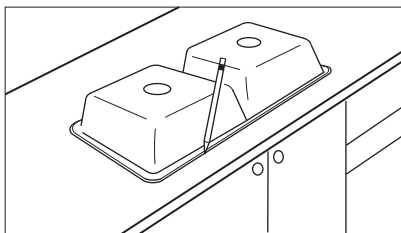


Figure 1

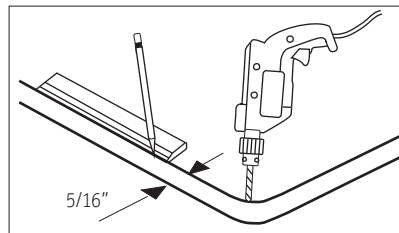


Figure 2

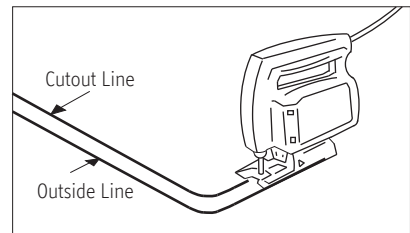


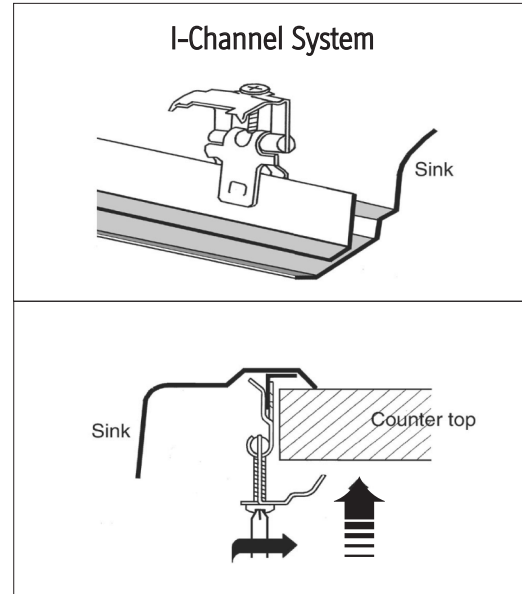
Figure 3

7. Apply caulking compound around the perimeter of the cutout opening
8. Attach faucet and sink strainer as necessary. Follow installation instructions supplied with faucet.

HOUZER offers choice of fastening system depending on the sink models. Verify your sink channel and clip assembly that came with the sink and follow proper instructions.

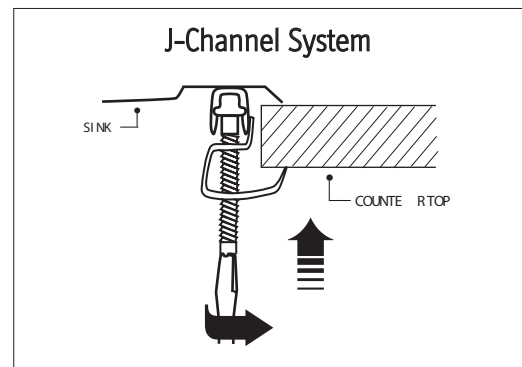
I-channel System : I-shaped single blade channel for quick and easy installation.

9. Insert clips into the channel, placing screw head inside the channel. Locate 3 clips in front and back. 2 clips to each side, and arrange spacing evenly around the sink. Position the clip assembly parallel to the channel.
10. Place the sink carefully into the cutout opening and be sure it is properly seated. Make sure sink rim covers of the sink rim caulking all around. Press down firmly around perimeter.
11. Rotate clamp of the clip 90 degrees to the channel and tighten screw clockwise from the center clip using long screw driver.



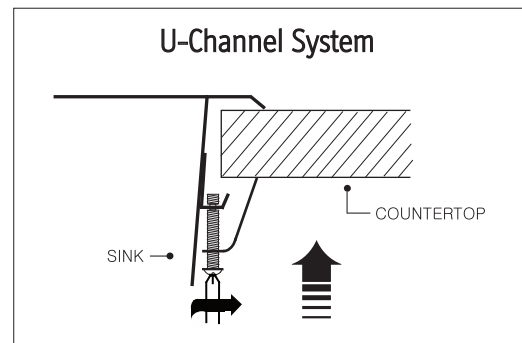
U-channel system : U-shaped double blade channel for strong support and firm hold-down.

9. Insert clips into the channel, placing screw head inside the channel. Locate 3 clips in front and back. 2 clips to each side, and arrange spacing evenly around the sink. Position the clip assembly parallel to the channel.
10. Place the sink carefully into the cutout opening and be sure it is properly seated. Make sure sink rim covers caulking all around. Press down firmly around perimeter of the sink rim.
11. Rotate clamp of the clip 90 degrees to the channel and tighten screw clockwise from the center clip using long screw driver.



J-bracket system : J-shaped bracket for variable countertop thicknesses

9. Insert bolt (with L-clip attached) horizontally into round opening on the bracket.
10. Swing the bolt down vertically; the spacer between the threads will self-center the bolt.
11. Grasp the L-clip and ensure long side is facing out and away from sink. Turn bolt clockwise; this action will begin snugging up the L-clip towards the underside of countertop.



12. Tighten all clips evenly and do not over tighten as damage can result.
13. Install drain and water supply fitting as necessary. Wipe excess caulking compound and check carefully as some adjustment for position and tightness may be required.

Care and Maintenance

ALWAYS

- Clean everyday by thoroughly rinsing with a mild soap and warm water and wipe dry.
- Rub lightly with a soft cloth in the direction of grain lines on a regular basis for additional preventive cleaning.
- Keep the sink free of any standing water as this can cause a buildup of mineral deposit, which can affect the appearance of your sink.
- Any stubborn stains should be removed by scrubbing in the direction of the grain with a mild abrasive such as Comet. Always rinse the sink after using any cleaning agent and wipe dry.
- Clean any mineral deposits built up over time with a mild solution of vinegar and water followed by a thorough flushing with water.
- Remove any scratches with a Scotch-Brite pad and cleaning agent rubbing in the direction of the grain.
NOT RECOMMENDED FOR MIRROR FINISH.

NEVER

- Leave water spots, steel cookware or utensils in the sink for lengthy periods; iron particle often develop rust spots in the stainless steel surface.
- Use a steel wool or scoring pad as it damages the sink surface and causes discoloration.
- Let household cleaning agents or bleach sit in your sink for long periods of time as this may ruin the finish of your sink.
- Leave rubber mats, sponges or cleaning pads in the sink overnight as this will trap water and could stain and discolor the sink surface.
- Use any drain cleaning products containing sulfuric or hydrochloric acid as this will attack the sink. Silver cleaners can also contain acids that will damage the sink surface.
- Use the inside of the sink as a cutting surface.

Lifetime Limited Warranty

HOUZER stainless steel sinks are produced to the highest manufacturing standards and are covered by a limited lifetime warranty that protects the original purchaser against any defects in materials and workmanship under normal use. If upon determination by HOUZER that the sink is defective, HOUZER will replace without charge, with an equivalent sink or refund, will be sent to the original purchaser that it has been used in a residential application and installed, used and maintained according to the instructions supplied with the sink, and not damaged due to abuse, misuse or negligence. This warranty will not cover any labor charges incurred in installation, removal, replacement or repair, transportation cost or any consequential damages, which might be caused by the product. HOUZER shall not be liable in case of ;

- Improper installation or modification of original product
- Damages resulting from abuse, such as scratches by dropping heavy objects into the sink
- Scratches resulting from scrubbing with steel wool, abrasive pads or cleaners
- Improper application such as exposure to corrosive chemicals, or photographic solutions
- Any commercial application

If the original purchaser finds a defect in material or workmanship, please contact HOUZER Warranty Service, PO Box 1027, Somerset, NJ 08873. Please include proof of purchase—save sales receipt. The law in some states may expand or modify this warranty. This warranty supersedes all other warranties, expressed or implied.

TYPE304
PREMIUM STAINLESS STEEL

StoneGuard™
UNDERCOAT PROTECTION

**SUPER
SILENCER**
ULTRA PAD

**Lifetime
Warranty★**



ASME A112.19.3-2000

HOUZER Enex Co. Inc., PO Box 1027, Somerset, NJ 08875-1027 Phone 1.800.880.3639 www.HouzerSink.com

©HOUZER 2006 All rights reserved. 03/07