

Model # HCTTDW



Third-Level Rack

Convenient space for spatulas and unique kitchen tools, or extra room for everyday utensils. Easily lifts out for convenient unloading.

Easy-Lift Adjustable Racks

Versatile racking system easily adjusts to provide the perfect place for all your dishware — no pinching, pulling, or toggling required.

Luxury Soft Grip Racks

hold plastics and dishware in place, and prevent flipping, for a more thorough clean.

Perfect Stemware™ Grips

Eighteen flexible grips gently hold stemware and other delicate items for a secure wash, every time.

Wave-Touch® Controls

Controls appear and fade away with a simple touch for a sleek, uncluttered display.

Luxury-Quiet™

Dishwasher + Smart Clean Light

A sound package so quiet, we engineered Smart Clean Light to let you know how much time is left in the cycle, and when your dishes are clean and ready.

Smartsoil™ Sensor

Responsive technology that delivers a more effective, more efficient clean by continuously monitoring water purity to determine exactly how long a cycle should run.

More Cycles

With up to nine cycles — including Heavy, Normal, Fast Wash, Auto, Upper Rack Only, Eco Wash, Stemware, Rinse Only, and “My Favorite” — you can choose the perfect wash for any occasion.

More Options

An even more amazing wash with unique options like Air Dry, NSF® Certified Sanitize Rinse, Hi-Temp Wash, Max Dry, and Delay Start (1-24 hours).

Flexible Utensil Basket

With a large capacity utensil basket that can be split, reconfigured, and placed anywhere, you have even more loading options.

Available in 5 Finishes



White

Black

Cranberry

Ivory

Cobalt

ORDERING DETAILS	MODEL #
White	HCTTDW-WHT
Black	HCTTDW-BLK
Cranberry	HCTTDW-CRN
Ivory	HCTTDW-IVY
Cobalt	HCTTDW-CBL

Heartland Classic Dishwasher

Heartland

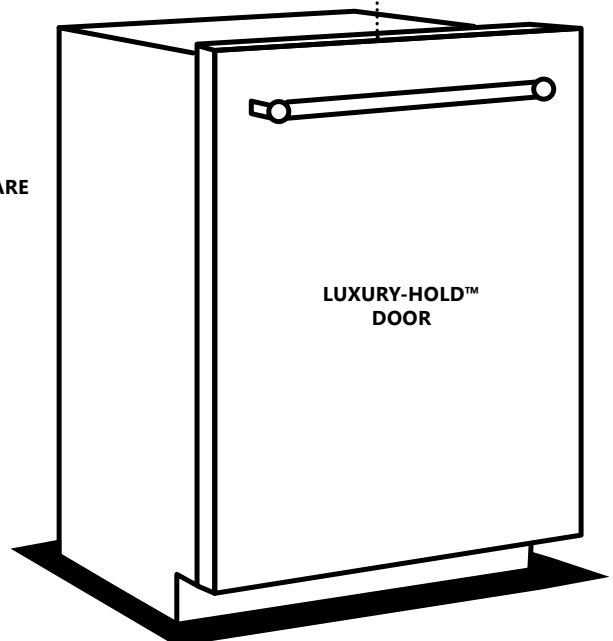
Model # HCTTDW



Technical Specifications	
Height (Adjustable*)	33-3/4" – 35-3/4"
Width	23-3/4"
Depth	24-1/4"
Depth with 90° Door Open	50-1/4"
Panel-Ready	T
Power Supply Location	Right Bottom Front
Water Inlet Location	Left Bottom Front
Water Usage (Gallons) – Normal Cycle	4.0 – 8.0
Water Pressure (PSI)	15 – 120
Integral Air Gap on Supply	Yes
Voltage Rating	120V / 60 Hz
Connected Load (kW Rating) @120 Volts	1.44
Amps @ 120 Volts	15
Shipping Weight (Approx.)	115 Lbs.
Target Wash Zones	4
Wash Levels	5
Sound Level	45dB
ENERGY STAR®	Yes

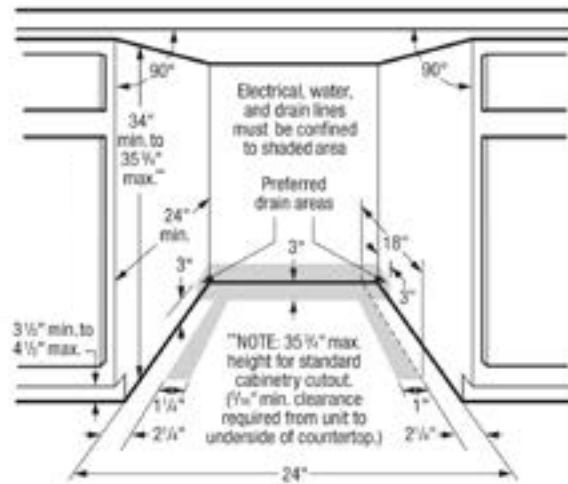
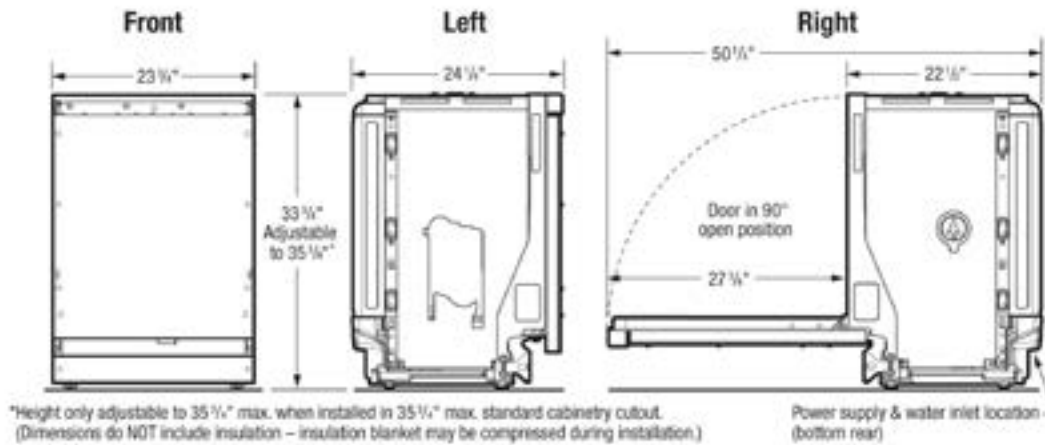


FULLY INTEGRATED CONTROL PANEL



Model # HCTTDW

Installation



Dishwasher Specifications

- Product Weight – 98 Lbs.
- Voltage Rating – 120V/60Hz
- Connected Load (kW Rating) @120 Volts = 1.44 kW (For use on adequately wired 120V, dedicated circuit having 2-wire service with a separate ground wire. Appliance must be grounded for safe operation.)
- Amps @ 120V = 15.0
- Always consult local and national electric & plumbing codes. Meets requirements of ASSE 1006 — integral air gap on supply.
- Water Pressure – Hot water line to dishwasher must provide between 20 and 90 pounds per square inch (psi) with at least 120° F hot water temperature.
- Make sure location has correct drain, water and electrical outlets to make connections.
- Electrical and water supplies should enter cabinet opening on floor, or through back or side walls, as shown in shaded areas.
- Keep back free of drain, water & electrical supply.
- Connections preferably located toward left side of dishwasher. Do not cross drain, water or electrical lines in front of motor, blower or frame.
- If connecting drain hose to sink trap, local code may require installation of Air Gap Kit (not included).
- Leveling legs supplied to adjust height. Note: Height only adjustable to 35-3/4" max. when installed in 35-3/4" max. standard cabinetry cutout. 5/16" min. clearance required from top of unit to underside of countertop.

Dimensions do NOT include insulation — insulation blanket may be compressed during installation.)

- When installing adjacent to wall, cabinet or other obstruction that extends beyond front edge of unit, allow 2" minimum clearance between opened door and obstruction.
- Floor should be flat and free of obstructions.
- When installing at end of cabinet line, sides and back must be fully enclosed.
- Do not install unit under a cooktop, damage will occur.
- Recommended to seal cabinets, enclosing all sides of dishwasher, including underside of countertop, with oil-based paint or moisture-proof polyurethane to prevent possible steam/moisture damage.