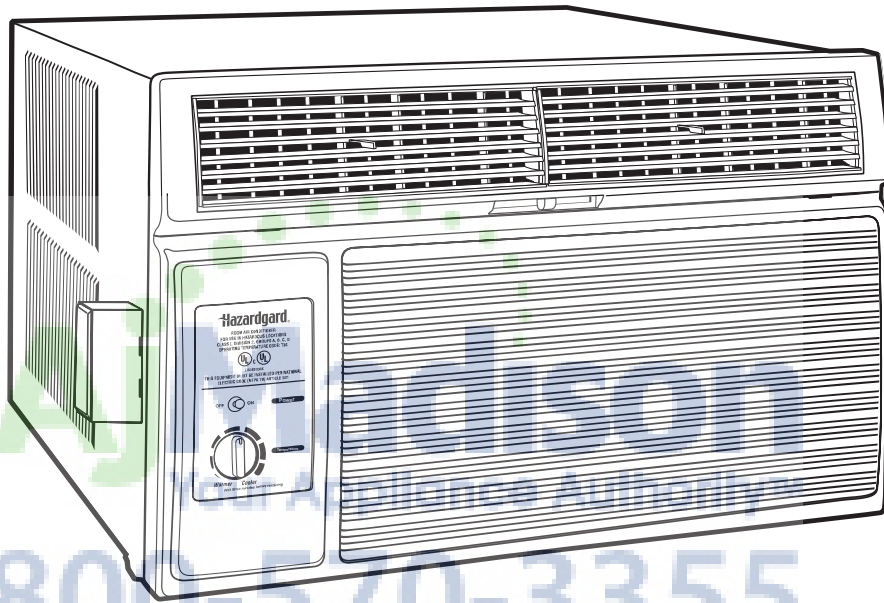




**F R I E D R I C H**

**Hazardgard®**

# Hazardous Duty Room Air Conditioner



**230-Volt: SH15 | SH20**

920-024-07 (8/09)

# Table of Contents

## Operation and Care Instructions

Your Safety and the safety of others.....	3
General Instructions .....	3
Filter information.....	4
Maintenance Checklist.....	4
Special Features .....	5
Control Panel .....	5
Underwriters Laboratories .....	5

## Installation Instructions

Electrical Requirements.....	6
Unpacking the Unit.....	8
Chassis Wiring and Preparation.....	8
Shell Preparation.....	9
Shell Installation .....	10
Sash Window .....	10
Through-the-Wall .....	13
Chassis Installation .....	16
WARRANTY .....	18

## Congratulations!

Thank you for your decision to purchase the Friedrich Hazardgard (Hazardous Duty Room Air Conditioner). Your new Friedrich has been carefully engineered and manufactured to give you many years of dependable, efficient operation, maintaining a comfortable temperature and humidity level. Many extra features have been built into your unit to assure quiet operation, the greatest circulation of cool, dry air, and the most economic operation.

## General Instructions

This Installation and Operation Manual has been designed to insure maximum satisfaction in the performance of your unit. For years of trouble-free service, please follow the installation instructions closely. We cannot overemphasize the importance of proper installation. We have added new information to the basic instructions to help you achieve success.



### WARNING

#### Refrigeration system under high pressure.

Do not puncture, heat, expose to flame or incinerate.

Only certified refrigeration technicians should service this equipment.

R410A systems operate at higher pressures than R22 equipment. Appropriate safe service and handling practices must be used.

Only use gauge sets designed for use with R410A. Do not use standard R22 gauge sets.



### WARNING

Please read this manual thoroughly prior to equipment installation or operation.

It is the installer's responsibility to properly apply and install the equipment. Installation must be in conformance with the NFPA 70-2008 National Electric Code or current edition, International Mechanic Code 2009 or current edition and any other applicable local or national codes.

Failure to do so can result in property damage, personal injury or death.

### Here are some suggestions to help you use your new Friedrich most efficiently:

- Carefully read and follow the installation instructions.
- Make sure the unit is the right capacity for the area to be cooled. An undersized unit makes the unit work too hard, using more electricity than needed and increases wear. An oversized unit will cycle on and off too rapidly, and therefore cannot control humidity as well.
- When you first turn on your Friedrich, set the thermostat to its coldest position to cool the room. When the desired temperature is reached, turn the thermostat control toward the "warmer" position until you hear a click and the compressor goes off. The thermostat will then cycle the compressor to maintain the selected temperature.
- Clean the filter frequently (See Filter Information)
- Do not block the air flow to and from the unit. Make sure the louvers are directed to give even distribution of air throughout the room. Caution: If air directed into a restricted area such as a corner, this may cause the unit to cycle on and off rapidly, which could damage your unit.
- A dirty filter or improperly set controls can affect the cooling ability of the unit.
- If cooling is weak and you have verified that the filter is clean and the controls are properly set, the unit may be low on refrigerant, and you should call your Friedrich service provider to check the unit.
- Keep blinds, shades and drapes closed on the sunny side of the room being cooled.
- Proper insulation helps your unit maintain the desired inside temperature.
- Whenever possible, shade west-facing windows with awnings.
- Keep window coverings away from the unit to provide free air flow.

### Your safety and the safety of others are very important.

We have provided many important safety messages in this manual and on your appliance. Always read and obey all safety messages.



This is a safety Alert symbol. This symbol alerts you to potential hazards that can kill or hurt you and others.

All safety messages will follow the safety alert symbol with the word "WARNING" or "CAUTION". These words mean:

#### WARNING

Indicates a hazard which, if not avoided, can result in severe personal injury or death and damage to product or other property.

#### CAUTION

Indicates a hazard which, if not avoided, can result in personal injury and damage to product or other property.

All safety messages will tell you what the potential hazard is, tell you how to reduce the chance of injury, and tell you what will happen if the instructions are not followed.

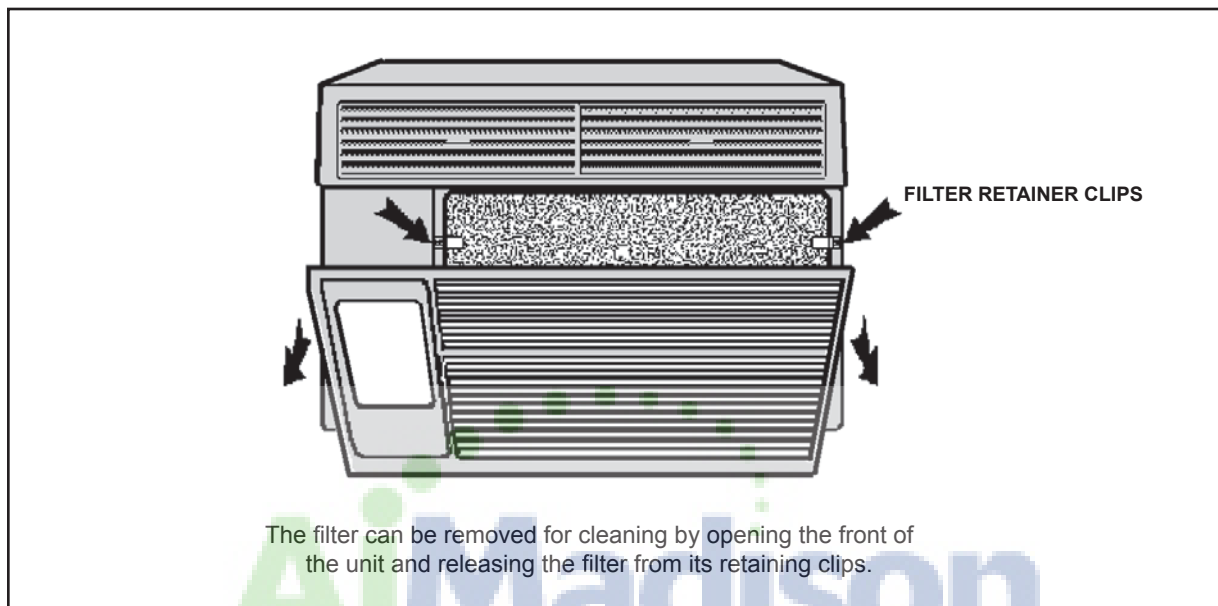
#### NOTICE

Indicates property damage can occur if instructions are not followed.

## Filter Information

The filter in your Friedrich removes dust, pollen and other impurities from the air as they are drawn through the unit. The filter is permanent and reusable, and has a germicidal treatment which is not affected by washing.

A clogged, dirty filter reduces the air flow through the unit and reduces its efficiency. You should check the filter every seven to ten days, depending on the amount your unit is used. Clean the filter regularly.



## Maintenance Checklist

### Won't Cool

If the unit operates, but doesn't cool, check to see that the controls are properly set. Inspect the filter and clean it thoroughly, if needed. Check to see if the chassis seal gasket is installed (refer to installation instructions).

### Won't Run

If the unit does not operate at all, check that the power supply connections are tight. Check for blown fuses or tripped circuit breakers. Replace blown fuses with the proper size time-delay fuse. The nameplate on the unit shows the proper fuse size. After restoring power, wait three minutes before restarting the unit.

### Inside Coil Freezes Up

Your Friedrich Hazardgard is designed not to freeze with outdoor temperatures as low as 45°F (7°C). Freezing should only occur when the outside air is damp and below 45°F (7°C). If the indoor

coil should ice over while cooling, set the thermostat to the warmest position until the ice on the coil is gone. Setting the thermostat to a slightly warmer position will probably keep ice from forming on the coil. A dirty filter will contribute to icing.

### Cleaning

The front grille of your Friedrich, as well as the complete cabinet may be cleaned with warm water and a mild detergent. The coils and base pan should be cleaned periodically for the most efficient operation. We suggest you call your Friedrich dealer for this service.

### Lubrication

Fan motors are factory lubricated and sealed. No lubrication is required.

## Hazardgard Special Features

- Permanent Split-Capacitor, totally enclosed fan motor to assure efficient operation even under adverse electrical conditions. Motor has a special stainless steel shaft to resist corrosion and a hermetically sealed overload for arc-free operation.
- High capacity compressor with internal hermetically sealed overload.
- Contains transient voltage suppressor to protect controls against transient voltage spikes. Provides solid state switches for arc-free operation.
- Hot gas bypass low ambient control to permit operation without freezing at outdoor ambient temperatures as low as 45°F (7°C).
- Environmentally sealed on-off switch and gold plated contacts in thermostat for corrosion resistance.
- Polyester powder finish, over-baked for an attractive, long-lasting finish.
- Copper tubing/aluminum fin coils.
- Galvanized steel cabinet and base pan, all bonderized.
- Slide-out chassis for easy installation in window or through-the-wall.
- Extra insulation inside, including completely insulated plenum chamber for quieter, more efficient cooling.
- Entire unit test run in environmental chamber before crating.
- Eight-way air flow control for uniform air circulation.
- Condensate drain with exclusive mosquito trap.
- 15 amp circuit with time-delay fuse required. Accommodates direct wiring.
- Long lasting 3/8" (10 mm) thick air filter, germicidally treated, easily removed for cleaning.

Friedrich Air Conditioning quality has been proven by more than 25 years of successful experience from the Gulf of Mexico to the searing sands of the Arabian desert.

## Control Panel

### Function Control (Power)

This switch is a double pole, single throw toggle switch.

ON - Turns everything on.

OFF - Turns everything off.

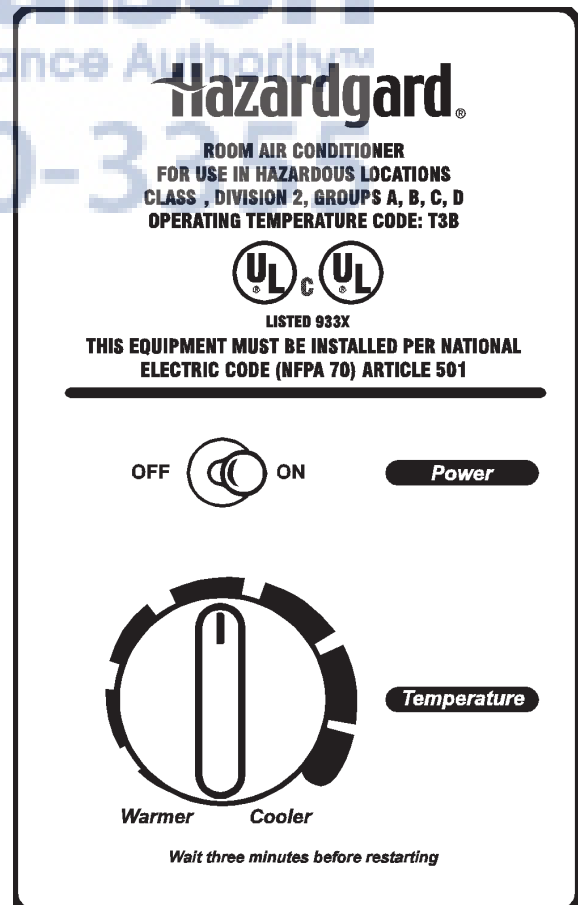
### Temperature Control

The knob at the bottom is the thermostat which is a cross ambient type used to maintain the desired comfort level. The thermostat reacts only to a change in temperature at the bulb location - turn the knob clockwise to set cooler, counterclockwise for warmer.

## Exclusive

Friedrich leads with the first UL Listed Room Air Conditioners designed to cool living quarters and other enclosures situated in hazardous locations where specific volatile flammable liquids or gases are handled or used with enclosed containers or systems.

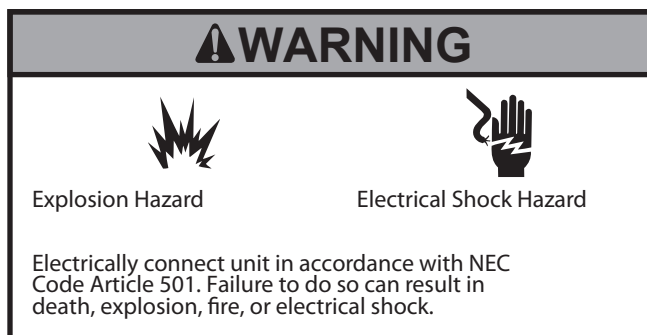
Friedrich Hazardgard room air conditioners are designed to meet the National Electrical Code, Article 500 requirements for Class I, Division 2, Groups A, B, C, D Hazardous locations, THIS UNIT IS LISTED BY UNDERWRITERS LABORATORIES FOR USE IN CLASS I, DIVISION 2, GROUPS A, B, C, D HAZARDOUS LOCATIONS. Operating Temperature Code: T3B.



# Installation Instructions

## Models SH15 and SH20

NOTE: THIS MANUAL INCLUDES INSTALLATION INSTRUCTIONS FOR BOTH WINDOW MOUNT AND THROUGH-THE-WALL INSTALLATIONS



## Electrical Requirements

ALL FIELD WIRING MUST MEET THE REQUIREMENTS OF THE NATIONAL ELECTRICAL CODE (ANSI/NFPA 70) ARTICLE 501.

THE FIELD-PROVIDED CIRCUIT PROTECTION DEVICE (HACR CIRCUIT BREAKER OR TIME DELAY FUSE) MUST NOT EXCEED THE AMPACITY INDICATED ON THE PRODUCT NAMEPLATE.

IMPORTANT: Before you begin the actual installation of your air conditioner, check local electrical codes and the information below.

Your air conditioner must be connected to a power supply with the same A.C. voltage and frequency (hertz) as marked on the data plate located on the chassis. Only alternating current (A.C.), no direct current (D.C.), can be used.

An overloaded circuit will invariably cause malfunction or failure of the air conditioner; therefore, it is extremely important that the electrical power is adequate. Consult your dealer or power company if in doubt.

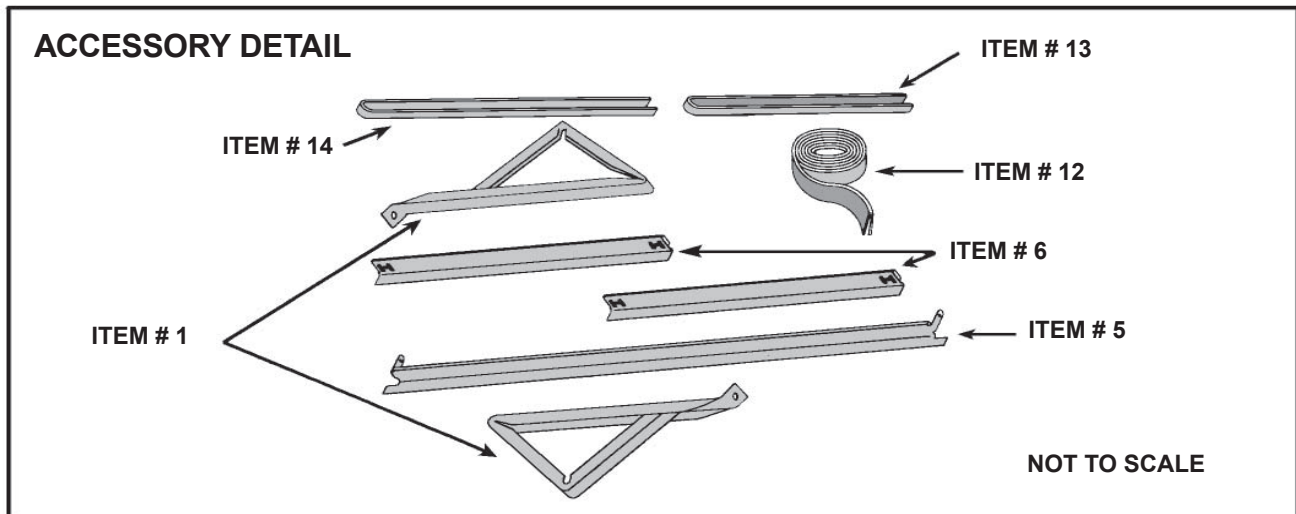
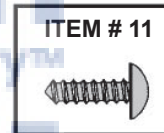
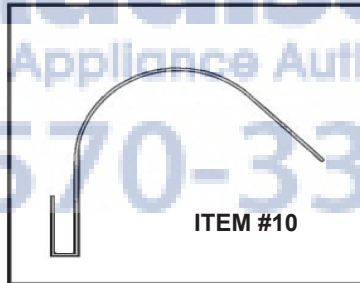
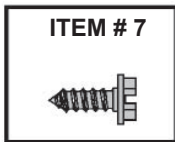
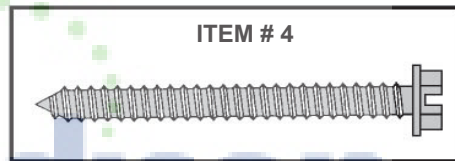
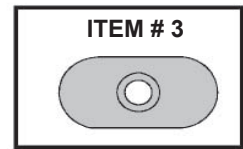
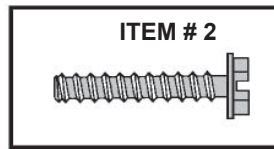
The following instructions are for HAZARDGARD models and cabinet sizes listed below.

GROUPS	CABINET SIZE (H x W x D)
SMALL CHASSIS SH15	15 <sup>15</sup> / <sub>16</sub> " x 25 <sup>15</sup> / <sub>16</sub> " x 27 <sup>3</sup> / <sub>8</sub> " (405 mm x 660 mm x 695 mm)
MEDIUM CHASSIS SH20	17 <sup>15</sup> / <sub>16</sub> " x 25 <sup>15</sup> / <sub>16</sub> " x 27 <sup>3</sup> / <sub>8</sub> " (455 mm x 660 mm x 695 mm)

Model Number	Plug Type	Circuit Rating Time Delay Fuse
SH15	Junction Box	250V-15 Amp
SH20	Junction Box	250V-15 Amp

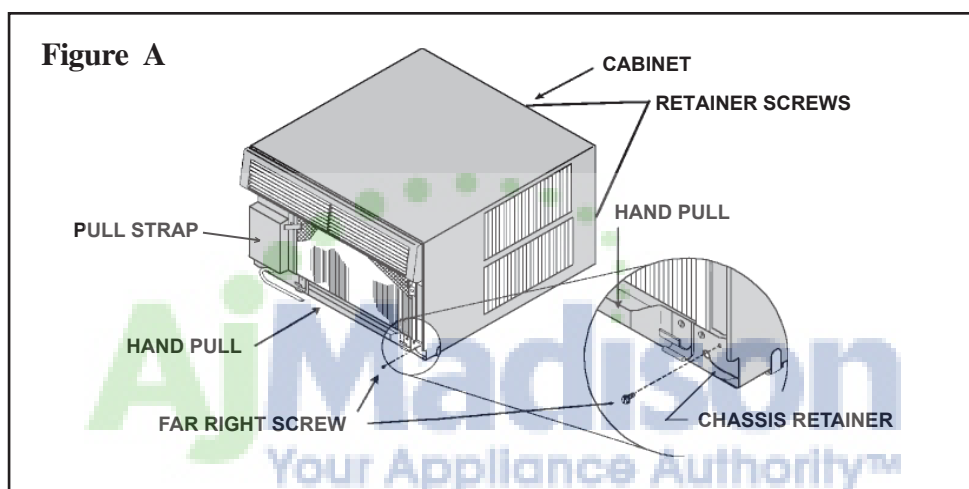
# Window Mount Installation Hardware

ITEM No.	DESCRIPTION	QTY.
<b>SHELL MOUNTING PARTS</b>		
1	SUPPORT BRACKET	2
2	SCREW, 10 - 24 x 1" HEX HEAD	4
3	10 - 24 FLAT WELDNUT	4
4	SCREW, SHEET METAL #12A x 2"	7
<b>WINGBOARD ANGLE MOUNTING</b>		
5	WINGBOARD ANGLE, TOP	1
6	WINGBOARD ANGLE, SIDE	2
7	SCREW, SHEET METAL #8A x 3/8"	2
<b>WINGBOARD MOUNTING PARTS</b>		
8	WINGBOARD (MASONITE) - (NOT SHOWN)	1
9	"J" TYPE SPEED NUT	4
10	WINGBOARD CLIP (SPRING STEEL)	4
11	SCREW, #8A x 1/2" PHILLIPS TRUSS HD.	4
<b>WINDOW SEALING</b>		
12	SEALING GASKET (VINYL)	1
13	WINDOW SEAL GASKET (DARK FOAM)	1
14	CHASSIS SEAL GASKET (LIGHT FOAM)	1



## Unpacking The Unit

- STEP 1** Remove decorative plastic return air grille to a safe area away from the unit.
- STEP 2** Remove the installation hardware, wingboard and two (one light colored and one dark colored) gaskets from beneath the unit, and place them in a safe area away from the unit.
- STEP 3** Remove the chassis retainer by removing the far right screw in the basepan (see Figure A); save this screw to reattach the chassis retainer after installation. Also, remove and discard the two retainer screws and plastic bushings located at the rear of the unit.
- STEP 4** While an assistant holds the cabinet stationary, use the hand pull at the front of the base pan (see Figure A) to pull the chassis out of the cabinet. **Remove white foam blocks used to restrain the compressor during shipment.** Inspect basepan for dislodged white blocks, and remove. Do not remove any other foam.



## Chassis Wiring and Preparation

- STEP 1** Remove the junction box, cover and screw from the shipping position underneath the fan motor. Install one junction box mounting leg in the upper left position facing the rear of the junction box.
- STEP 2** Remove and discard the plastic bushing from the conduit connector on the side panel of the control compartment. Strip the black wires only, approximately 1/2 inch (13 mm).
- STEP 3** Insert all wires (2 black, 1 green) into the box and thread the box onto the conduit connector until tight. Back off counter clockwise until the junction box is vertical with the mounting leg at the upper-right position facing the box opening. Be sure that the shell can fit between this box and the chassis.

### PROVIDED HARDWARE

1 JUNCTION BOX	FRIEDRICH PN: 613-893-00
2 MOUNTING LEGS	RACO INC. PN: 5324-0
2 LEG SCREWS	
2 HOLE COVERS	
1 GROUND SCREW	
BOX COVER	FRIEDRICH PN: 613-892-00
GASKET	RACO INC. PN: 5173-0
2 SCREWS	
1 SHEET METAL SCREW	



## Shell (Cabinet) Preparation

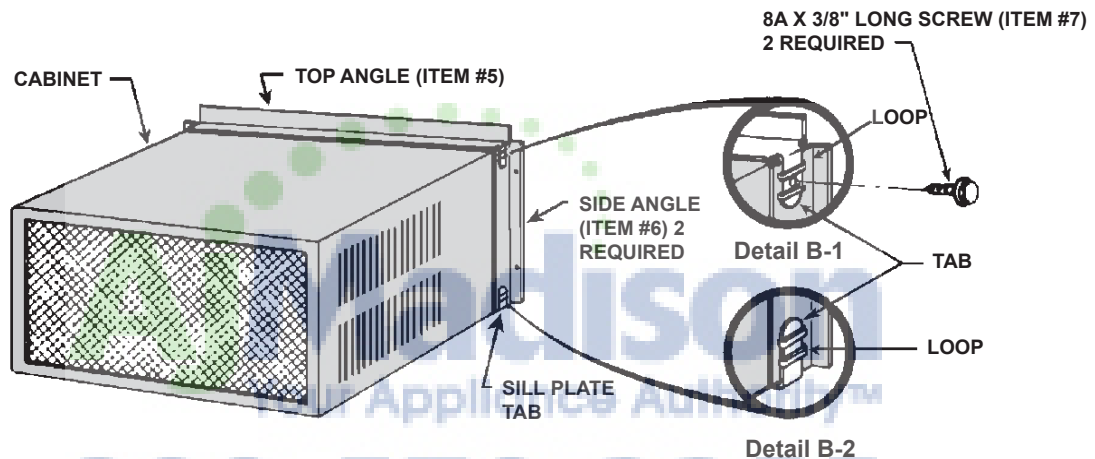
It will be necessary to relocate the sill plate of the cabinet 2" back from its shipping position, and the shell guides 4" forward, to the forward-most hole in the shell rail. Discard the chassis retainer wire disconnected in Section II, Step 3. The junction box mounting leg from Section VI, Step 1, and the field-installed conduit will retain the chassis in the shell.

IF THIS INSTALLATION IS FOR A SASH WINDOW – With the wide flange and pilot holes of the sill plate forward, put the screws/nuts in the rear holes of the sill plate and third shell hole from the front (the center of three square holes). Anchor the side angles (Item #6) by engaging the tabs at each end of the sill plate with the bottom loops of the side angle. Engage the tabs at

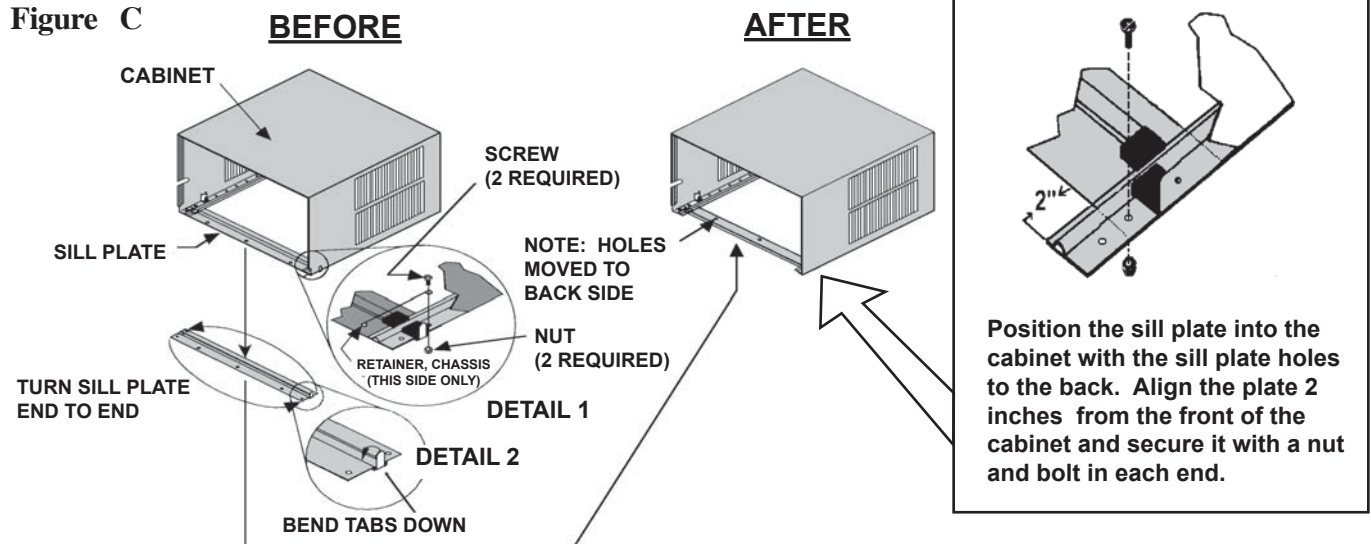
each end of the top angle (Item #5) with the top loops of the side angle. Install two (2) screws (Item #7) to secure the top angle tabs and the side angle to the rear-most holes in the side of the cabinet (See Figure B, below).

IF THIS INSTALLATION IS THROUGH A WALL – Turn the sill plate end to end so that the wide flange with pilot holes will be over the wall header (towards the rear) and two inches from the front of the cabinet. Bend the tabs into the channel of the sill plate, put the screws/nuts in the front holes of the sill plate and into the second shell hole from the front. Use one bolt on each side to secure the sill plate to the cabinet. (See Figure C, below.)

**Figure B**



**Figure C**

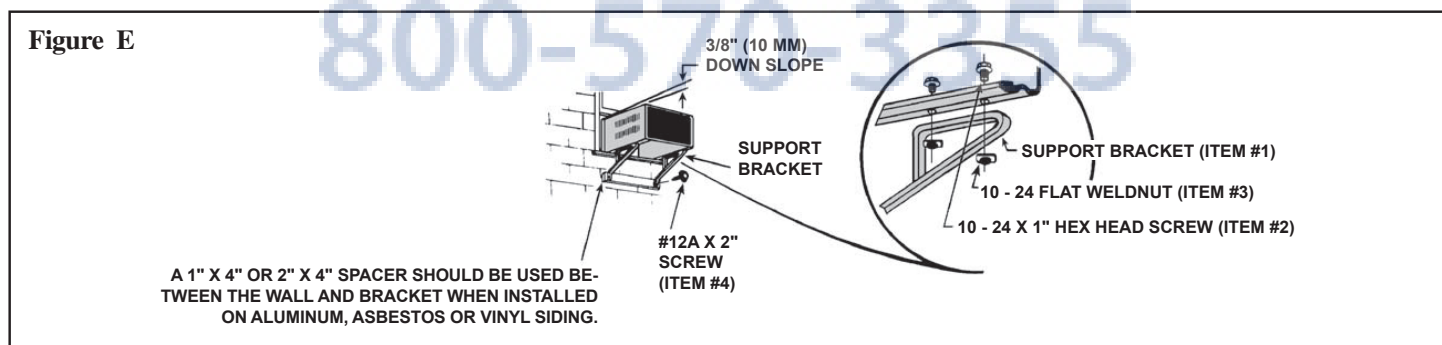
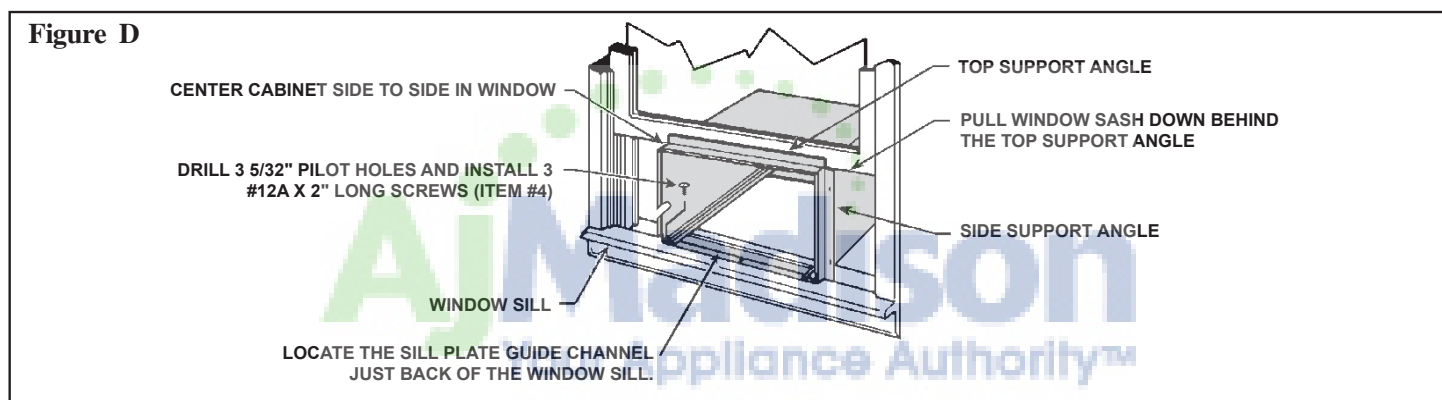


# Shell Installation: Sash Window Installations



**STEP 1** Check the window sill and frame to be sure they are in good condition and firmly anchored to the wall. Repair if necessary.

**STEP 2** **CABINET MOUNTING:** Raise the lower window sash 1/4" more than the height of the cabinet. Carefully slide the cabinet through the open window until the sill plate channel rests behind the window sill and the top support angle rests against the window (See Figure D). Center the cabinet side to side and drill three (3) 5/32" diameter pilot holes into the window sill using the holes in the cabinet sill plate as a guide. Install three (3) #12A x 2" long screws (Item #4) (See Figure D).



**STEP 3** **OUTSIDE SUPPORT MOUNTING:** Assemble the support brackets (Item #1) to the bottom rails of the cabinet with four (4) 10-24 1" long screws (Item #2) and four (4) 10-24 flat nuts (Item #3). Adjust the support brackets to bring the bottom pads in contact with the wall surface. (See Figure E.)

A 1" x 4" or 2" x 4" SPACER SHOULD BE USED BETWEEN THE WALL AND THE SUPPORT BRACKETS WHEN INSTALLED ON ALUMINUM OR VINYL SIDING). Drill 5/32" (4 mm) dia. pilot holes, and secure the brackets to the wall with two (2) #12A x 2" long screws (Item #4). Adjust the support brackets to provide an approximate 3/8" (10 mm) down slope towards the outside for drainage. Tighten all screws. (See Figure E).

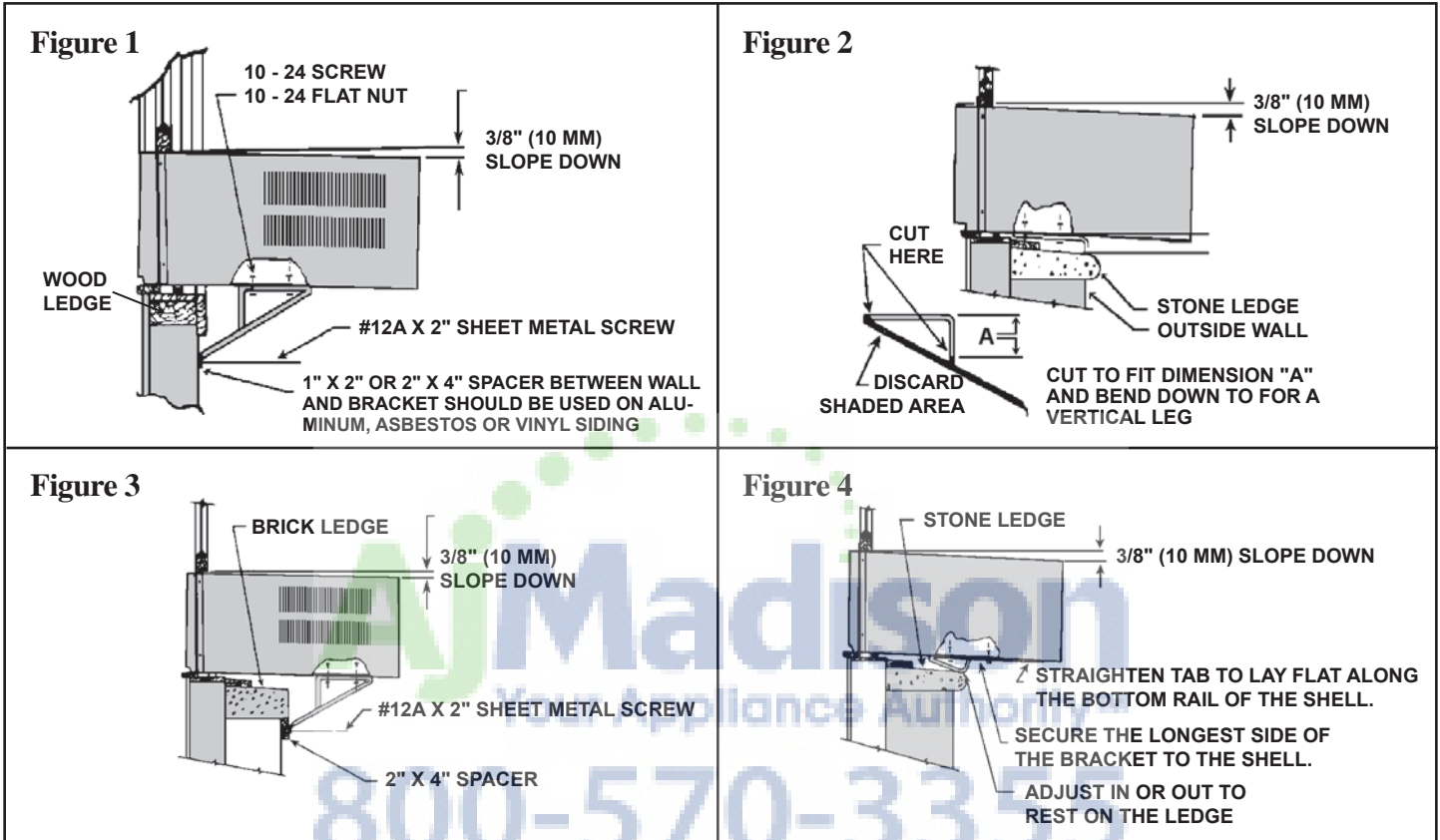
## Shell Installation: Thick Wall

The illustrations below show a standard frame construction installation as well as some suggested ways of adapting the support bracket to thick walls and large brick ledges.

## NOTICE

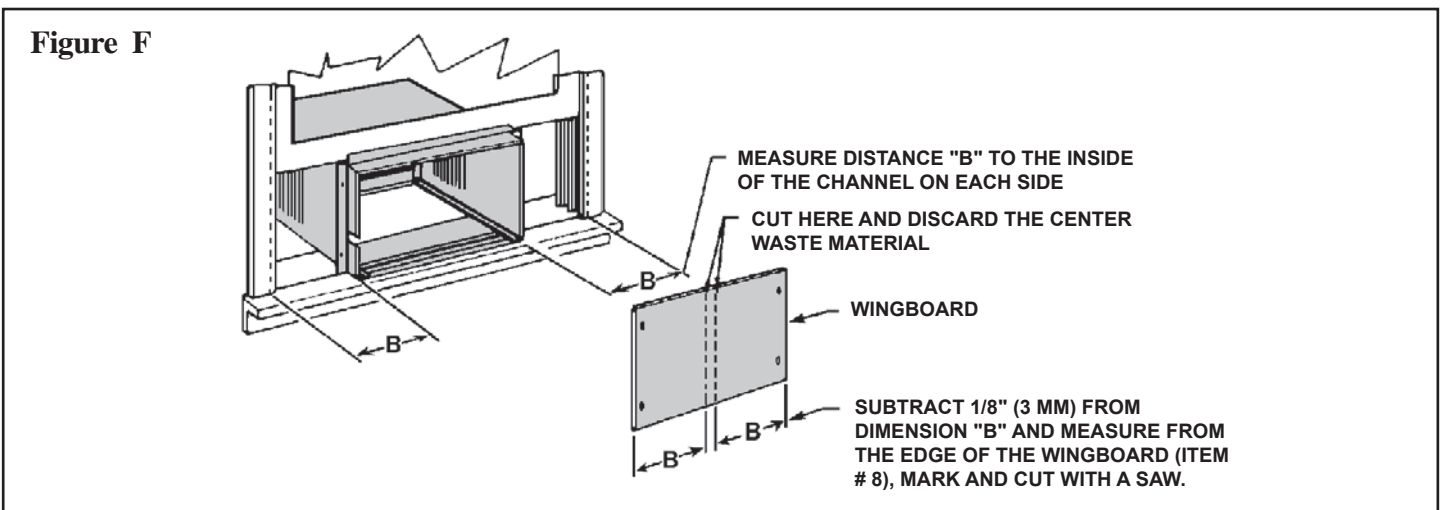
Instructions for mounting sleeve with slope must be observed to prevent entry of water into room.  
Failure to follow instructions can result in property damage.

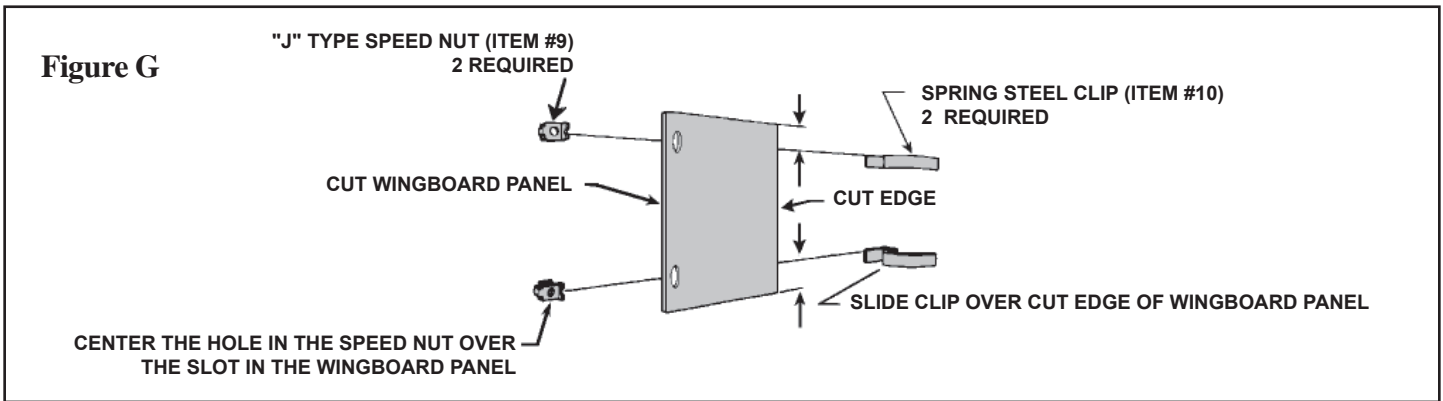
### Typical Installation Sill Plate



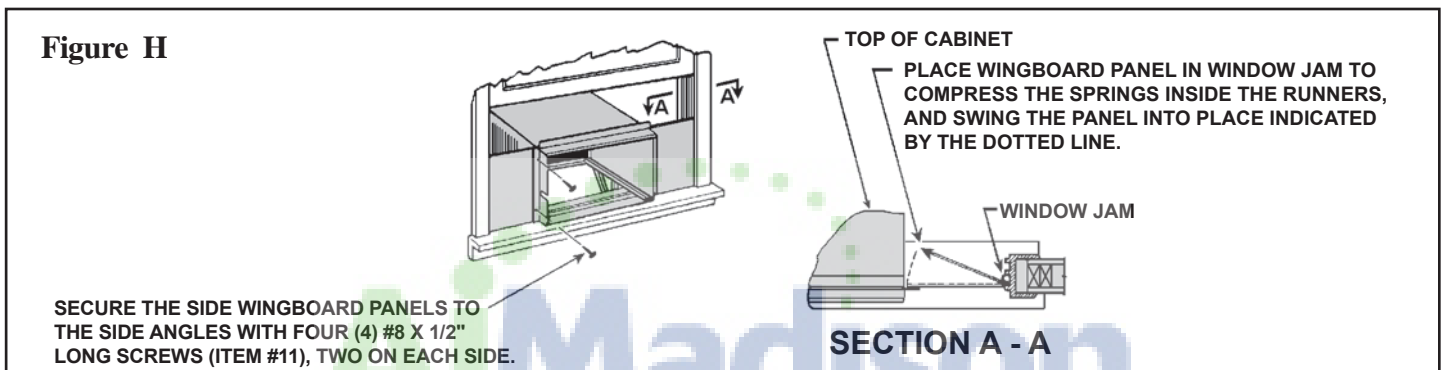
**STEP 4** CUT WINGBOARD PANELS: Measure and cut the wingboard panels from the supplied masonite (Item #8) to fit the spaces between the side window channels and the sides of the cabinet (See Figure F).

NOTE: AFTER CUTTING PANELS, MAKE A TRIAL TEST TO SEE IF THEY FIT THE SPACE WITH ABOUT 1/8" CLEARANCE BEFORE GOING TO STEP 5.



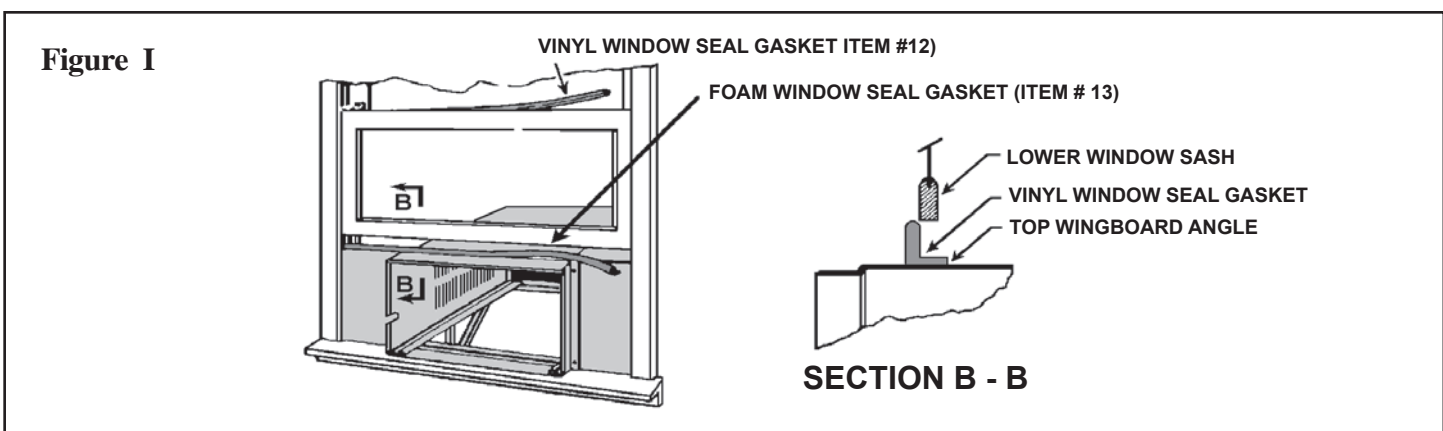


**STEP 5** ASSEMBLE CLIPS TO WINGBOARD PANELS: Assemble "J" type speed nuts (Item #9) and spring steel clips (Item #10) to the edges of the cut wingboard panels (See Figure G).



**STEP 6** INSTALL SIDE WINGBOARD PANELS: Be sure that the cabinet has been secured to the window sill and the outside support brackets have been installed as shown in Figures D and E on Page 10. Raise the window sash and install the right and left side wingboard panels (See Figure H).

**STEP 7** INSTALL WINDOW SEALING GASKETS: Measure and cut the vinyl window seal gasket (grey color, Item #12) to fit the width of the window and install as shown in Figure I. Pull the window sash down behind the gasket. Measure and cut the dark foam window seal gasket (Item #13) and install it between the upper glass panel and the top part of the lower sash (See Figure I).



**NOTE:** FOR REASONS OF SECURITY, THE CUSTOMER MUST PROVIDE A MEANS OF PREVENTING THE WINDOW FROM OPENING.

**STEP 8** When possible, caulk the outside of the installation with industrial type caulking to prevent air and water leaks.

# Shell Installation: Through-the-wall Installations

**⚠ WARNING**

Falling Object Hazard

Not following Installation Instructions for mounting your air conditioner can result in property damage, injury, or death.

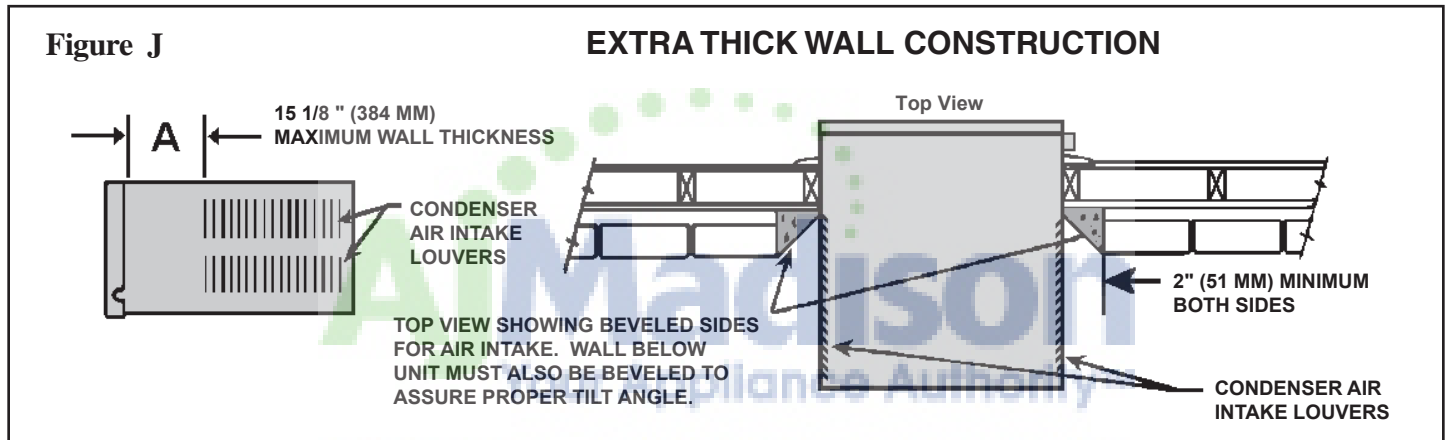


## Wall Preparation

The maximum wall thickness permissible without special construction is determined by the model size to be installed. THE OUTSIDE CABINET CONDENSER AIR INTAKE LOUVERS MUST NOT BE BLOCKED BY EXTENDING INSIDE THE WALL AREA. Observe the maximum wall thickness shown as dimension "A" in Figure J.

## Special Instructions For Extra Thick Walls

For installation in walls exceeding the maximum thickness shown as dimension A, the following suggested construction may apply. (See Figure J).

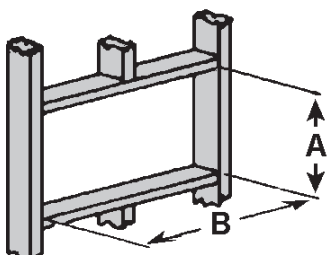


**STEP 1** CHECKING WIRING AND PLUMBING: Check all wiring and plumbing inside and outside the wall to be sure none will be broken where the hole is to be cut.

**STEP 2** HOLE CONSTRUCTION: Depending on the size of the unit to be installed, layout the hole dimensions in accordance with the chart below (See Figure K). Cut and frame in the hole to the finished dimensions. Use 2" x 4" material for framing and follow the suggested typical installations in Figure L, M or N on Page 14.

**NOTE:** IF THE WALL CONSTRUCTION IS TYPICAL FRAME OR 2 X 4 STUDDING WITH BRICK OR STONE VENEERS, LOCATE THE HOLE NEXT TO ONE OF THE STUDS. FOR MASONRY, CONCRETE OR CINDER BLOCK WALLS, LOCATE THE HOLE FOR CONVENIENCE.

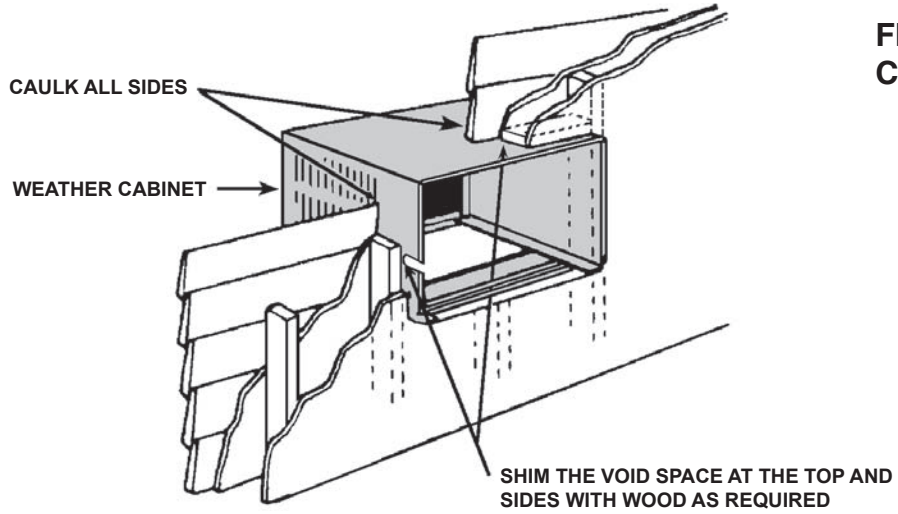
**Figure K**



<b>HOLE SIZE REQUIREMENTS</b>		
FINISHED DIMENSION	SH15 CHASSIS	SH20 CHASSIS
A	16-3/16"	18-3/16"
B	26-3/16"	26-3/16"

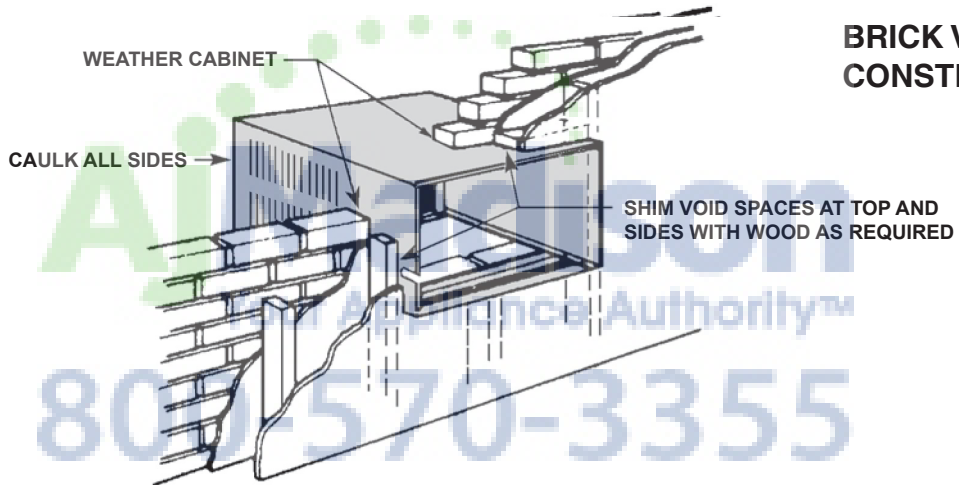
**NOTE: THESE DIMENSIONS ARE FOR FINISHED HOLE SIZE**

Figure L



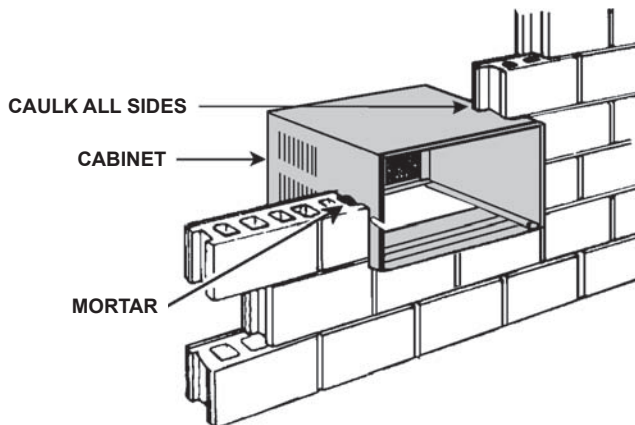
**FRAME WALL  
CONSTRUCTION**

Figure M



**BRICK VENEER  
CONSTRUCTION**

Figure N

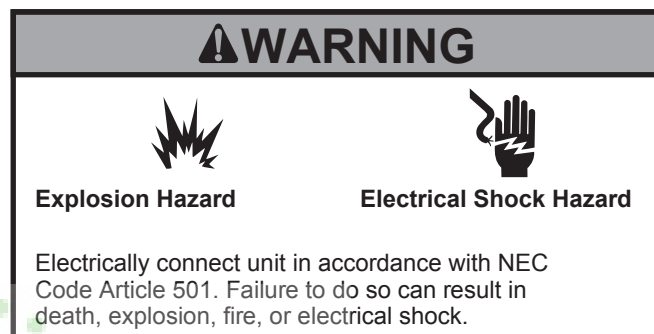
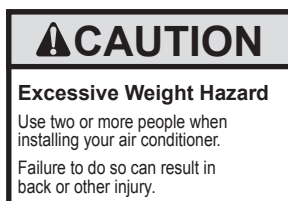


**SOLID MASONRY  
CONSTRUCTION**

# Chassis Installation

**STEP 1** Slide the chassis into the cabinet stopping approximately 3" from full insertion. Stuff the chassis seal gasket (Item #14) one inch deep between the chassis and the cabinet (See Figure P). Begin at either bottom corner and go up the side, **across the top**, and down the opposite side. Make sure that the gasket is behind the conduit connector (furthest from you). Push the chassis into the shell the remaining distance so that the plastic front shrouds the front edge of the shell. Fasten the junction box mounting foot to the shell with the sheet metal screw.

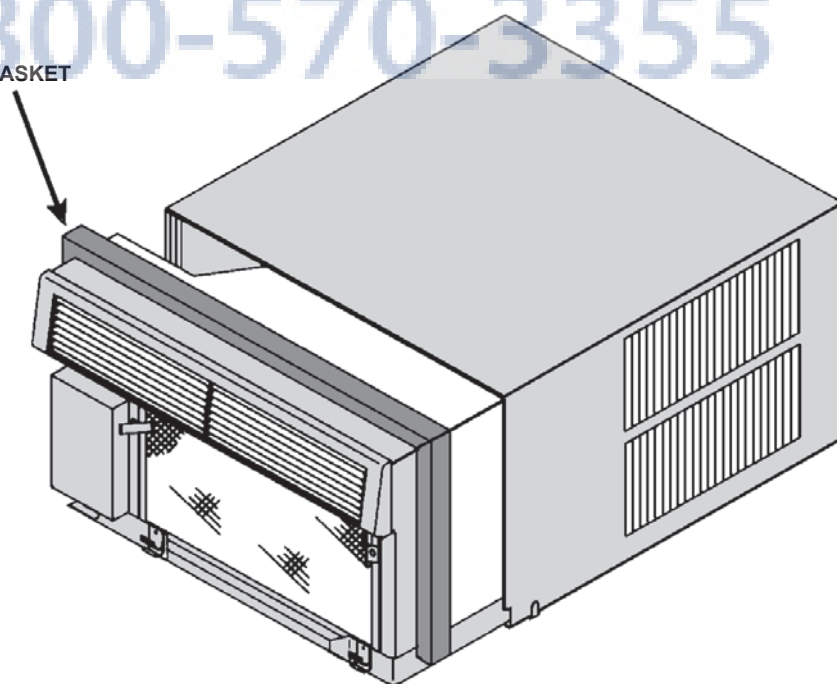
If chassis seal gasket is not installed, the operation of the unit will be negatively affected. Also, the operation noise and outside noise will be amplified.



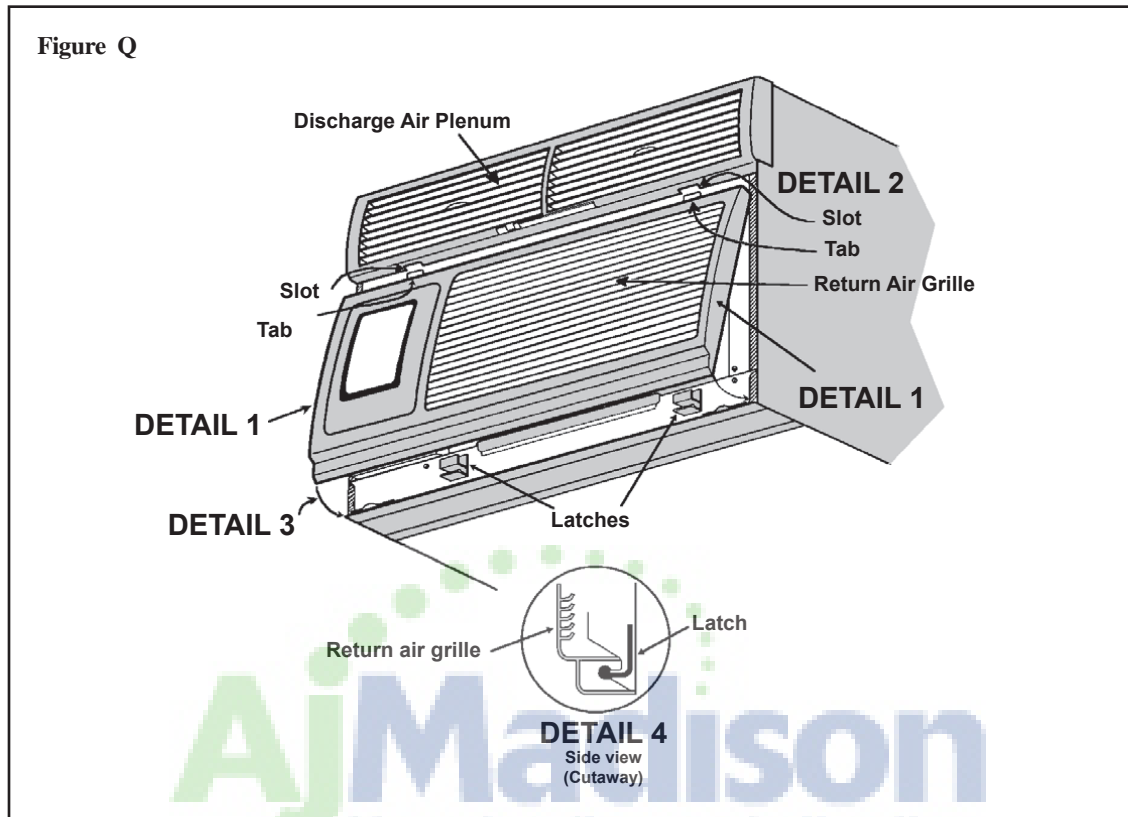
**NOTE:** Field wiring must be provided to this junction box in accordance with NATIONAL ELECTRIC CODE (NFPA 70, 2008 or current edition) ARTICLE 501. Field and equipment grounds are to be terminated at the post in the junction box with the green screw provided. Equipment power leads are to be connected with the field supply by means of wire nuts (not provided). Install the gasket and cover plate onto the junction box.

**Figure P**

CHASSIS SEAL GASKET



- STEP 2** Be sure that the filter is in place then install the return air grille (See Figure Q). The top of the return air grille can be butted against the bottom of the discharge plenum. Snap the grille into place by pushing the grille up and onto the unit's latches at the bottom. (See Detail 4).



- STEP 3** You have completed your installation. Conduct a review of your installation to insure that the unit is safely and securely installed.



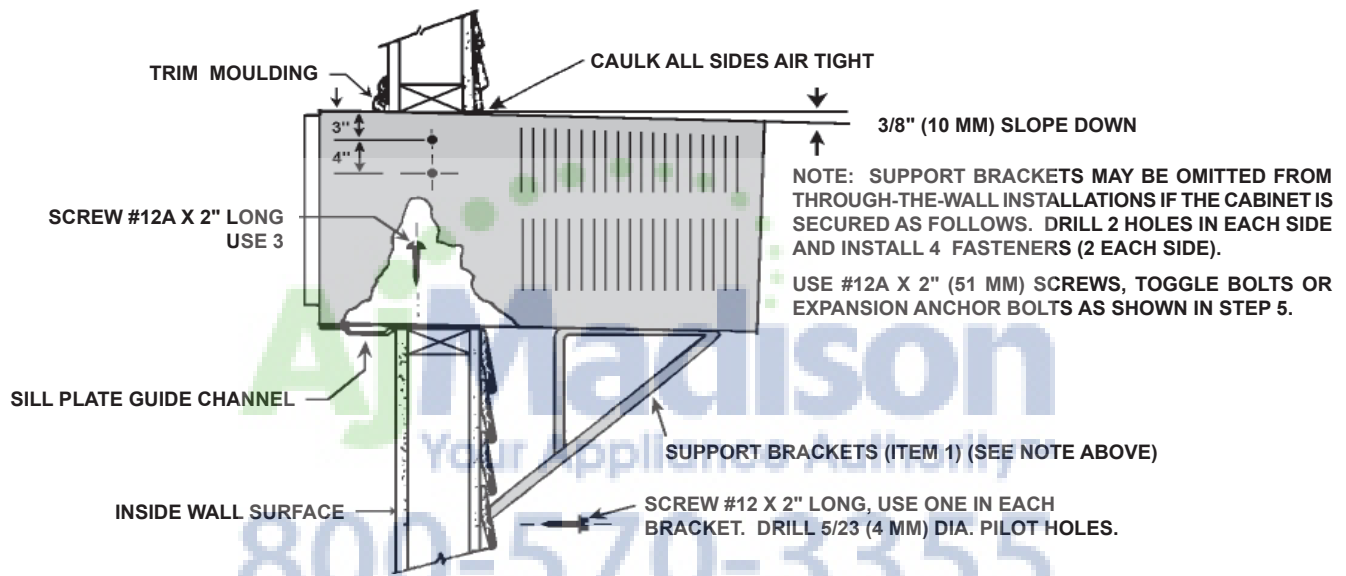
- STEP 3** Slide the cabinet into the hole far enough to allow the guide-channel of the sill plate to contact the inside wall surface (See Figure O).
- STEP 4** Drill three (3) 5/32" diameter pilot holes through holes in sill-plate into the framing and install three (3) #12 x 2" long screws (Item #4) (See Figure O).

## NOTICE

Instructions for mounting sleeve with slope must be observed to prevent entry of water into room.  
Potential property damage can occur if instructions are not followed.

**Figure O**

## TYPICAL INSTALLATION



**NOTE:** ALTERNATE FASTENERS WHICH MAY BE USED FOR SECURING THE SILL PLATE IN THE WALL, AND THE SUPPORT BRACKETS TO THE OUTSIDE WALL ARE NOT FURNISHED, BUT ARE AVAILABLE AT A LOCAL HARDWARE STORE.



**MOLLY OR TOGGLE BOLT**



**EXPANSION ANCHOR BOLT**

- STEP 5** Drill two (2) 5/32" (4 mm) dia. pilot holes in each side at the locations shown (Figure O) and install four (4) #12 x 2" screws (Item #4). If the hole construction in Step 2 provides a sturdy mount with solid vertical studs, no support brackets are required. The installation must support the weight of the unit plus an additional weight of 400 pounds (185 kg) on the rear of the cabinet. The support brackets may be used for through-the-wall installations as shown in Figure O, for additional support.
- STEP 6** If desired, trim around the cabinet on the room side with a suitable frame molding furnished by the installer (See Figure O).



Friedrich Air Conditioning Company  
P.O. Box 1540  
San Antonio, TX 78295  
210.357.4400  
www.friedrich.com

# HAZARDGARD<sup>®</sup> ROOM AIR CONDITIONERS LIMITED WARRANTY

## LIMITED ONE YEAR PARTS WARRANTY

- 1. Limited warranty – One year.** Friedrich warrants that it will provide a replacement for any part of this HazardGard Room Air Conditioner found defective in material or workmanship for a period of one (1) year from the date of original purchase.
- 2. Limited warranty – One year.** The Friedrich warranty also covers the cost of labor for repairing any compressor, condenser, evaporator or inter-connecting tubing found defective within the warranty period, providing the unit is returned to an authorized Friedrich Repair Station located within the Continental United States.

**The Friedrich warranty does not cover:**

(1) Any charges for removal, transportation or reinstallation of the unit; (2) the cost of labor to replace parts other than those described above; and (3) does not apply to any HazardGard Room Air Conditioner that has been subject to (a) accident, misuse, flood, fire, or neglect; (b) repairs or alterations outside of the Friedrich Authorized Dealer or Service Center so as to affect adversely its performance and reliability; or (c) any repairs or servicing as a result of using parts not sold or approved by Friedrich.

**LIMITATIONS: This warranty is a LIMITED warranty. Anything in the warranty notwithstanding, IMPLIED WARRANTIES FOR PARTICULAR PURPOSE AND MERCHANTABILITY SHALL BE LIMITED TO THE DURATION OF THE EXPRESS WARRANTY. MANUFACTURER EXPRESSLY DISCLAIMS AND EXCLUDES ANY LIABILITY FOR CONSEQUENTIAL OR INCIDENTAL DAMAGES FOR BREACH OF ANY EXPRESSED OR IMPLIED WARRANTY.**

**Performance of Friedrich's Warranty obligation is limited to one of the following methods:**

1. Repair of the unit
2. A refund to the customer for the prorated value of the unit based upon the remaining warranty period of the unit.
3. Providing a replacement unit of equal value

**The method of fulfillment of the warranty obligation is at the sole discretion of Friedrich Air Conditioning.**

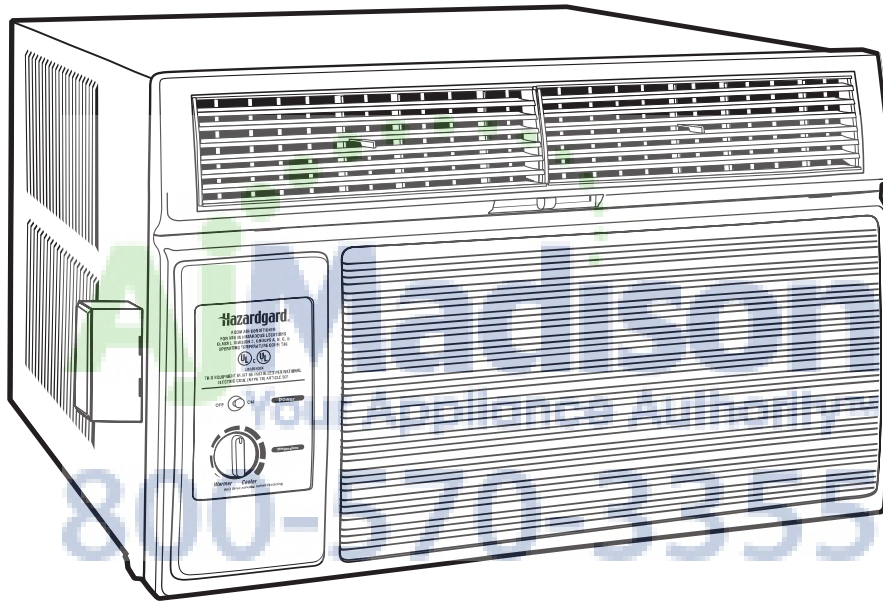
(11-09)



F R I E D R I C H

Hazardgard®

## Unidades de aire acondicionado



230-Volt: SH15 | SH20

920-024-07 (8/09)

# Tabla De Contenidos

## Instrucciones Para Uso Y Mantenimiento

Instrucciones generales.....	21
Información sobre el filtro .....	22
Lista de control para el mantenimiento .....	22
Características especiales del Hazardgard.....	23
Pánel de control.....	23
Underwriters Laboratories (Lista U.L.) .....	24

## Instrucciones Para La Instalacion

Requerimientos eléctricos .....	25
Desempaque de la unidad.....	27
Preparación e instalación eléctrica del chasis.....	27
Preparación del armazón de la unidad (gabinete).....	28
Instalación del armazón.....	29
Ventana de bastidor .....	29
A través de la pared .....	32
Instalación del chasis .....	35
GARANTÍA .....	37

## Felicidades!

Gracias por su decisión de comprar un Paquete Hazardgard Friedrich Unidad de Aire Acondicionado . Su nuevo Friedrich ha sido cuidadosamente diseñado y fabricado para darle larga vida de uso, operación eficiente, manteniendo una temperatura y un nivel de humedad cómodo. Muchas características de su unidad han sido creadas para asegurar la operación silenciosa, máxima circulación de aire fresco y seco, con la máxima operación económica.

## Instrucciones generales

Este manual de instalación y operación ha sido diseñado para asegurar la máxima satisfacción de su unidad. Por favor siga las instrucciones de instalación cuidadosamente para adquirir años de servicio libres de conflictos. No podemos sobre estimar la importancia de una correcta instalación. Hemos agregado información actualizada a las instrucciones básicas para ayudarle a lograr una instalación exitosa.



### AVISO

#### Sistema de refrigeración bajo alta presión.

**No debe de perforar, calentar, exponer a llamas ó incinerar.**

Sólo técnicos certificados en refrigeración deben reparar este equipo.

Los sistemas R410A funcionan a presiones más altas que el equipo R22. Un mantenimiento apropiado y prácticas adecuadas de manejo deben utilizarse.

Solo use indicadores diseñados para trabajar con R410A. No utilice indicadores estándar R22.



### AVISO

Por favor lea este manual detenidamente antes de instalar ú operar el equipo.

Es responsabilidad del instalador aplicar e instalar correctamente el equipo. La instalación debe estar con conformidad con la NFPA 70-2008 *National Electric Code* ó de la edición actual, *International Mechanic Code 2009* ó de la edición actual, y cualquier código local ó nacional.

El no hacerlo puede ocasionar daños a su propiedad, heridas personales ó muerte.

### Algunas sugerencias para usar su nuevo Friedrich eficientemente:

1. Lea con cuidado y siga las instrucciones para la instalación.
2. Asegúrese de que la unidad tiene la capacidad apropiada para el área que debe enfriar. Si la capacidad es demasiado baja, la unidad debe trabajar demasiado y utiliza más electricidad de la necesaria y aumenta su desgaste. Si la capacidad es demasiado alta, también le cuesta trabajo a la unidad, ya que se encenderá y apagará con demasiada frecuencia y no podrá controlar la humedad tan bien.
3. Cuando usted enciende su unidad de aire acondicionado Friedrich por primera vez, debe colocar el termostato en la temperatura más fría. Cuando llegue a la temperatura deseada, gire el control del termostato hacia la posición "warmer" (más caliente) hasta cuando oiga un sonido metálico y el condensador se apague. El termostato entonces hará el ciclo del condensador para mantener la temperatura que se haya seleccionado.
4. Limpie el filtro con frecuencia (Ver el mantenimiento general).
5. No obstruya el flujo de aire desde y hacia la unidad. Asegúrese que las rejillas para la regulación de ventilación están dirigidas de tal forma que suministren una distribución pareja de aire por todo el cuarto. Atención: Si el aire se dirige a una zona restringida como detrás de una cama o a una esquina de la habitación, esto puede hacer que la unidad se encienda y se apague con rapidez, lo que puede perjudicarla.
7. Un filtro sucio o unos controles que no se hayan graduado bien, pueden tener un efecto nocivo sobre la capacidad de enfriamiento de la unidad.
8. Si el enfriamiento es débil y usted ha verificado que el filtro está limpio y los controles se encuentran bien graduados, la unidad puede estar baja de refrigerante y usted debe llamar a su representante de Friedrich para revisarla.
9. Mantenga las persianas, y las cortinas cerradas en el lado soleado del cuarto que debe enfriarse.
10. Un aislamiento adecuado le ayuda a su unidad a mantener la temperatura que usted desea dentro de la habitación.

11. Cuando sea posible, coloque una tolda protectora contra el sol en las ventanas que dan hacia el occidente.
12. Mantenga las persianas y cortinas lejos de la unidad en la ventana para que haya un flujo de aire.

### Su seguridad y la de los demás es muy importante.

Hemos incluido muchos mensajes importantes de seguridad en este manual y en su aparato. Siempre lea y siga todos los mensajes de seguridad.



Este es un símbolo de alerta de seguridad. Este símbolo le advierte de los peligros potenciales que pueden herir o matar a usted y a otros.

Todos los mensajes de seguridad estarán juntos con el símbolo de alerta de seguridad con la palabra "ADVERTENCIA" o "PRECAUCIÓN". Estas palabras significan:

#### ADVERTENCIAS

Indica un peligro que si no se evita, puede dar resultado a heridas graves ó muerte y daños al producto ú otros bienes.

#### PRECAUCIÓN

Indica un peligro que si no se evita, puede ocasionar heridas graves ó muerte y daños a la propiedad ú otros bienes.

Todos los mensajes de seguridad le indicaran cual es el peligro potencial, cómo reducir el riesgo de heridas, y le dirán lo que sucederá si las instrucciones no se siguen.

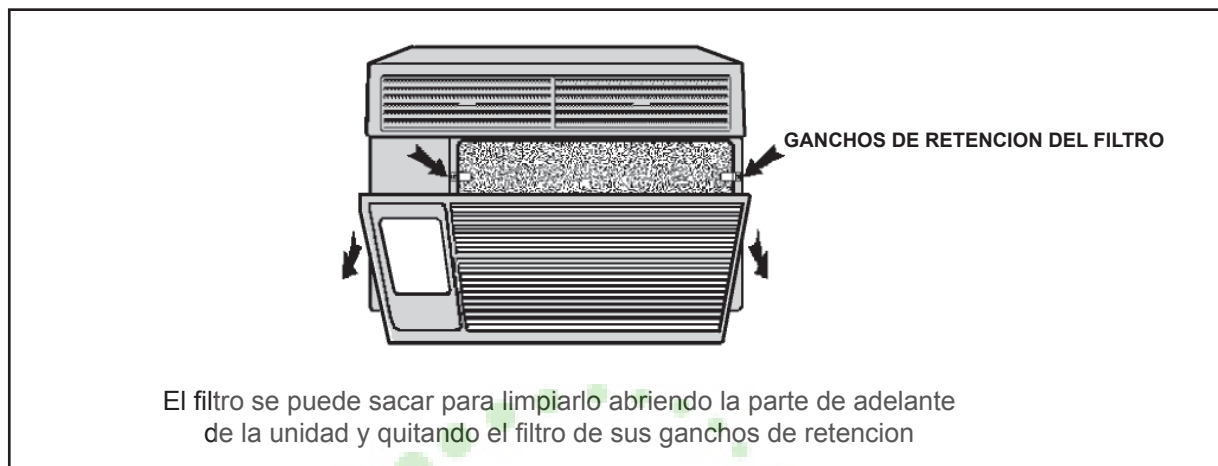
#### NOTA

Indica daño a su propiedad, puede ocurrir si las instrucciones no se siguen

## Información Sobre El Filtro

El filtro de su unidad Friedrich elimina el polvo, polen y otras impurezas del aire a medida que el aire contiene. El filtro es permanente y reutilizable y viene acondicionado con un tratamiento germicida (contra bacterias) que no se afecta cuando se lava.

Un filtro sucio y obstruido reduce el flujo de aire a través de la unidad y reduce su eficiencia. Usted debe examinar el filtro cada siete a diez días de acuerdo con la cantidad de uso de su unidad. Limpie el filtro periódicamente.



## Lista De Control Para El Mantenimiento

### No Enfria

Si la unidad funciona pero no enfría, asegúrese que los controles están en su debida posición. Examine el filtro y límpielo cuidadosamente cuantas veces sea necesario. Compruebe si está instalada la junta de sello del chasis (refiérase a las instrucciones de instalación).

### No Funciona

Si la unidad no funciona en absoluto, asegúrese de que las conexiones de electricidad están ajustadas. Averigüe si los fusibles y los interruptores de circuito están funcionando. Reemplace los fusibles que se hayan quemado con fusibles de acción retardada (time-delay) que sean apropiados. El tamaño adecuado de los fusibles se puede encontrar en la placa de identificación de la unidad. Una vez haya restaurado el suministro de electricidad, espere tres minutos antes de volver a encender la unidad.

### El Serpetin Interior Se Congela

Su Friedrich Hazardgard se ha diseñado de tal forma que no debe congelarse en temperaturas exteriores hasta de 45 grados fahrenheit (7 grados centígrados). Debe congelarse solamente si

el aire exterior es húmedo y la temperatura es inferior a 45 grados fahrenheit (7 grados centígrados). Si comienza a congelarse el serpentín interior cuando la unidad está enfriando, coloque el termostato en su posición más caliente hasta cuando el hielo haya desaparecido. Mantener el termostato en una posición un poco más caliente evitará la formación de hielo en el serpentín. Un filtro sucio contribuye a que haya congelación.

### Limpieza

Tanto la rejilla delantera de su unidad Friedrich como el gabinete se pueden limpiar con un detergente suave y agua tibia. Los serpentines y la bandeja base deben limpiarse periódicamente para su mejor funcionamiento. Sugerimos que usted llame a su distribuidor Friedrich para este servicio.

### Lubricacion

Los motores de los ventiladores vienen lubricados y sellados en la fábrica. No necesitan lubricación.

## Características Especiales Del Hazardgard

- Motor de arranque doble permanente, motor del ventilador totalmente sellado para asegurar un funcionamiento eficiente aún durante condiciones eléctricas adversas. El motor tiene una vara de acero inoxidable para evitar que haya corrosión y un control de sobrecarga herméticamente sellado para evitar que hayan cortes del circuito.
- Condensador de alta capacidad con un control interno de sobrecarga sellado herméticamente.
- Supresor de cambios de voltaje para proteger los controles en contra cambios y recargas de voltaje. Interruptores transistorizados para evitar cortes de circuito.
- Un control para la desviación de gas caliente en temperaturas bajas del medio ambiente, para permitir el funcionamiento sin que se congele cuando las temperaturas exteriores ambientales son inferiores a 45 grados fahrenheit (7 grados centígrados).
- Interruptor sellado para encender y apagar, con contactos en el termostato bañados en oro para evitar la corrosión.
- Revestimiento galvanizado y esmaltado con alcaloides, los dos hornos para dar un acabado atractivo y de larga duración.
- Serpentes en cobre con aletas de aluminio.
- El Gabinete en acero galvanizado y la andeja base se han tratado químicamente (bonderizado).
- Chasis deslizable para instalación fácil en ventanas o a través de las paredes.
- Aislamiento interior extra, incluyendo na cámara distribuidora de aire completamente aislada para un enfriamiento más eficiente y silencioso.
- Prueba completa de la unidad en una cámara ambiental antes de empacarla.
- Control de flujo de aire de ocho posiciones para garantizar la uniformidad en la circulación de aire.
- Drenaje de condensación con una barrera exclusiva contra mosquitos.
- Se requiere un circuito de 15 amperios con un fusible de acción retardada. Acepta una instalación eléctrica directa.
- Filtro de aire de 3/8" (10 mm) de grueso, de larga duración, con tratamiento germicida; se puede quitar fácilmente para poderlo limpiar.

La calidad de las unidades de aire acondicionado Friedrich se ha comprobado durante más de veinticinco años de experiencia exitosa desde el Golfo de México hasta las arenas tórridas de los desiertos árabes.

## Panel De Control

### Control De Encendido (Electricidad)

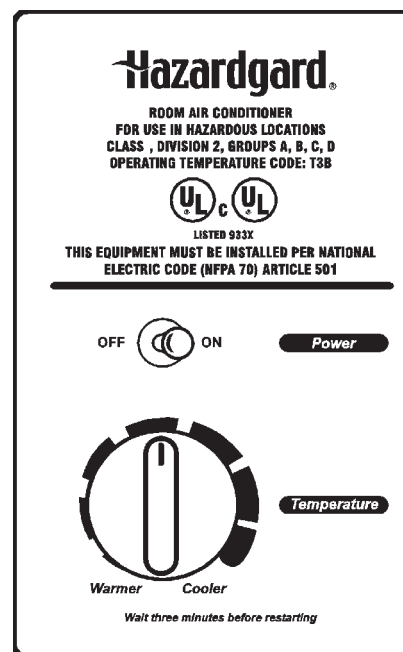
El interruptor es bipolar (dos polos), con un interruptor de palanca de movimiento sencillo.

ON (encendida) - enciende todo el sistema

OFF (apagada) - apaga todo el sistema

### Control De La Temperatura

El control giratorio en la parte inferior es un termostato del tipo de ambiente cruzado y se emplea para mantener un nivel de comodidad deseado. El termostato reacciona solamente a un cambio de temperatura cerca de la ubicación del bombillo - gire el control de izquierda a la derecha para un mayor enfriamiento y de derecha hacia la izquierda para un ambiente menos frío.



## ¡Exclusiva!

Friedrich nuevamente lleva el liderazgo con la primera serie de aire acondicionados para habitación en la Lista UL (Underwriters Laboratories), los cuales se han diseñado para enfriar habitaciones y otros recintos ubicados en sitios peligrosos, en donde se manejan líquidos inflamables, elementos explosivos y volátiles o se utilizan en recipientes o sistemas encerrados.

Los aparatos para habitación Friedrich Hazardgard se han diseñado para que cumplan con los requisitos del Código Nacional

de Electricidad (de los Estados Unidos), para la clase 1, División 2, Grupos A, B, C, D de locales peligrosos. ESTA UNIDAD SE ENCUENTRA EN LA LISTA DE LOS UNDERWRITERS LABORATORIES (UL) PARA USO EN LOS LOCALES PELIGROSOS CLASE 1, DIVISION 2, GRUPOS A, B, C, D. Código de temperatura de funcionamiento: T3B.





# Instrucciones Para Instalacion

## Modelos SH15 y SH20

**NOTA:** ESTE MANUAL INCLUYE LAS INSTRUCCIONES PARA LA INSTALACIÓN TANTO DEL MODELO DE MONTAJE EN LA VENTANA COMO PARA EL MODELO QUE SE INSTALA A TRAVÉS DE LAS PAREDES.

### Requerimientos Electricos

TODA LA INSTALACION ELECTRICA DEBE CUMPLIR CON LOS REQUISITOS DEL CODIGO NACIONAL DE ELECTRICIDAD (ANSI/NFPA 70) ARTICULO 501.

EL APARATO PARA PROTECCION DEL CIRCUITO QUE SE SUMINISTRA (INTERRUPTOR DE CIRCUITO O FUSIBLE DE ACCION RETARDADA) NO DEBE SER SUPERIOR AL AMPERAJE QUE APARECE EN LA PLACA DE IDENTIFICACION DEL PRODUCTO.

**IMPORTANTE:** Antes de instalar su unidad de aire acondicionado, averigüe los códigos locales de electricidad y lea la información a continuación.

Su unidad de aire acondicionado debe conectarse al suministro de electricidad con el mismo voltaje A.C. y frecuencia (hertz) que aparece en la placa de información que se encuentra en el chasis. Debe emplearse solamente corriente alterna (A.C.) y nunca corriente directa (D.C.).

Un circuito sobrecargado inevitablemente hará que su aire acondicionado no funcione debidamente o que falle. Consulte con su distribuidor o con la empresa de energía si tiene alguna duda.

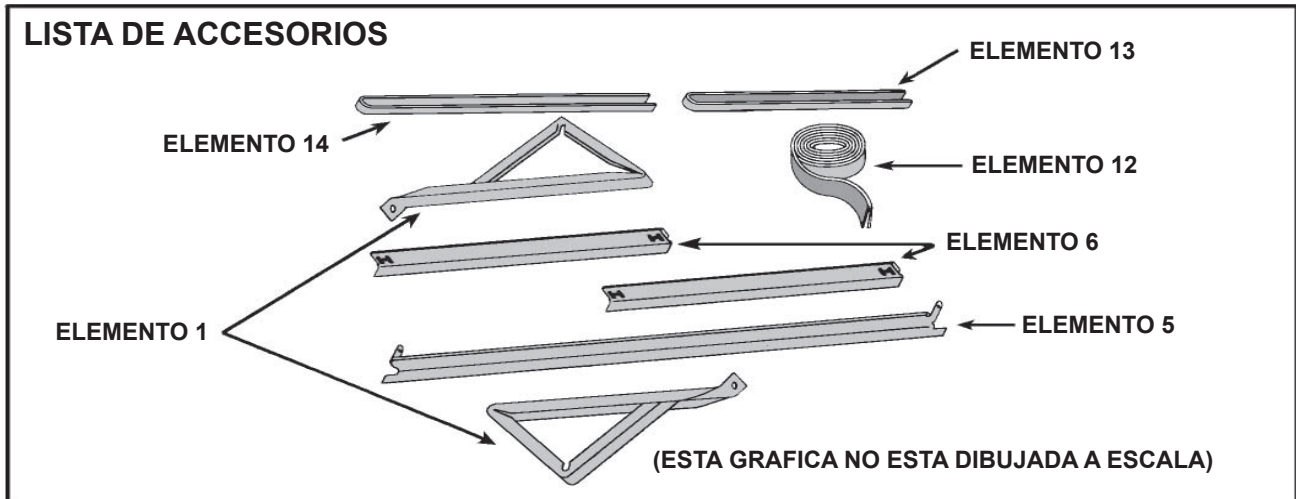
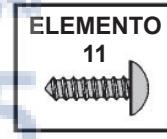
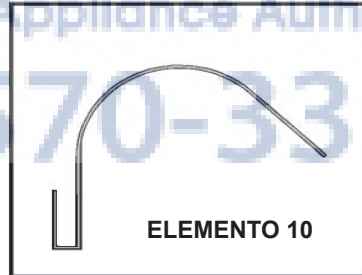
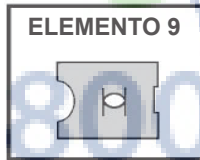
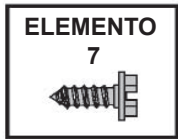
Las instrucciones siguientes son para los modelos HAZARGARD y para los tamaños de gabinetes que se detallan a continuación:

GRUPOS	TAMAÑO DEL GABINETE
CHASIS PEQUEÑO SH15	15 <sup>15</sup> / <sub>16</sub> " pulgada de altura x 25 <sup>15</sup> / <sub>16</sub> " pulgada de ancho x 27 <sup>3</sup> / <sub>8</sub> " pulgada de profundidad (405 mm x 660 mm x 695 mm)
CHASIS MEDIANO SH20	17 <sup>15</sup> / <sub>16</sub> " pulgada de alto x 25 <sup>15</sup> / <sub>16</sub> " pulgada de ancho x 27 <sup>3</sup> / <sub>8</sub> " pulgada de profundidad (455 mm x 660 mm x 695 mm)

Número del modelo	Tipo de enchufe	Clasificación de resistencia del circuito fusible de acción retardada
SH15	Caja de empalme	250 Voltios - 15 Amperios
SH20	Caja de empalme	250 Voltios - 15 Amperios

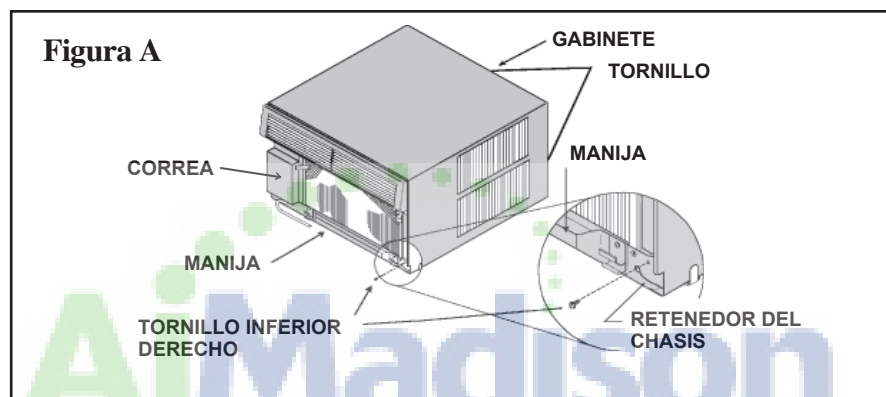
# Herramienta para la instalacion de las unidades para montaje en ventana

Número de ítem	Descripción	Cantidad
<b>HERRAMIENTA PARA MONTAJE DE LA ARMAZON</b>		
1	Repisa de apoyo	2
2	Tornillo, 10-24 x 1" pulgada con cabeza hexagonal	4
3	10-24 tuerca plana	4
4	Tornillo para hoja metálica #12A x 2" pulgadas	7
<b>MONTAJE PARA LOS PANELES LATERALES</b>		
5	Conexión superior para los páneles laterales	1
6	Conexión lateral para los páneles laterales	2
7	Tornillo para hoja metálica #8A x 3/8"	2
<b>HERRAMIENTA PARA INSTALACION DE LOS PANELES LATERALES</b>		
8	Pánel lateral (en masonita)	1
9	Tuerca tipo J	4
10	Gancho para los páneles laterales en resorte de acero	4
11	Tornillos #8A x 1/2" tipo phillips con cabeza redonda	4
<b>RELLENO PARA LA VENTANA</b>		
12	Empaque de relleno (en vinilo)	1
13	Empaque para sellar la ventana (en espuma oscura)	1
14	Empaque para sellar el chasis (en espuma clara)	1



## Desempaque de la unidad

- PASO 1** Remueva la rejilla a plástica decorativa y manténgala en un sitio seguro separada de la unidad.
- PASO 2** Remueva de la parte inferior de la unidad la herramienta de instalación, el panel lateral y dos empaques o arandelas (uno de color claro y el otro oscuro) y colóquelos en un sitio seguro lejos de la unidad.
- PASO 3** Quite el alambre fijador del chasis sacando el tornillo interior derecho al fondo de la base (Ver Figura A); guarde este tornillo para volver a asegurar el fijador del chasis una vez lo haya instalado. También quite y deseche los dos tornillos de retención y los casquillos de plástico colocados detrás de la unidad.
- PASO 4** Mientras un ayudante sostiene el gabinete, utilice la manija para jalar la parte delantera de la base (Ver Figura A) y saque el chasis fuera del gabinete. **Deseche los bloques amortiguadores de espuma blanca utilizados para retener el compresor durante envío.** Examine la base y quite todos los bloques blancos desalojados. No quite cualquiera otra espuma.



## Preparacion y Instalacion Electrica Del Chasis

### HERRAMIENTA QUE SE SUMINISTRA

1 caja de empalme de conexión,	Friedrich PN: 613-893-00
2 patas de montaje,	Raco Inc. PN: 5324-0
2 tornillos de patas	
2 tapas para huecos	
1 tornillo de tierra	
Cubierta de la caja,	Friedrich PN: 613-892-00
Arandela,	Raco Inc. PN: 5173-0
2 tornillos	
1 Tornillos para hoja metálica	

- PASO 1.** Saque la caja de empalme de conexión y el tornillo de la posición en que se han colocado para el transporte por debajo del motor del ventilador. Instale una de las patas de montaje de la caja de empalme de conexión en la posición superior izquierda frente a la parte de atrás de la caja de empalme de conexión.
- PASO 2.** Saque y deshágase del cojinete plástico del conector del conducto en el panel lateral del compartimento de los controles. Pele los alambres negros solamente, aproximadamente 1/2 pulgada (13 mm).
- PASO 3.** Introduzca todos los cables (2 negros, 1 verde) en la caja e introduzcalos asegure la caja al conector del conducto hasta que esté apretada. Devuélvala de derecha hacia izquierda hasta que la caja de empalme de conexión quede vertical con la pata de montaje en la posición superior derecha, de frente a la apertura de la caja. Asegúrese de que la armazón cabe entre esta caja y el chasis.

## Preparacion del armazon (gabinete)

Será necesario volver a ubicar la placa del borde del armazón del gabinete 2" pulgadas (50 mm) más atrás de la posición en que se ha colocado para transportarse, y las guías de la armazón 4" pulgadas (100 mm) más adelante, hacia el hueco delantero en el carril de la armazón. Retire el alambre de retención del chasis desconectado en la Sección II, Paso 3. La pata de montaje de la caja de empalme de conexión de la Sección VI, Paso 1, y el conducto instalado en el campo retendrán el chasis en la armazón.

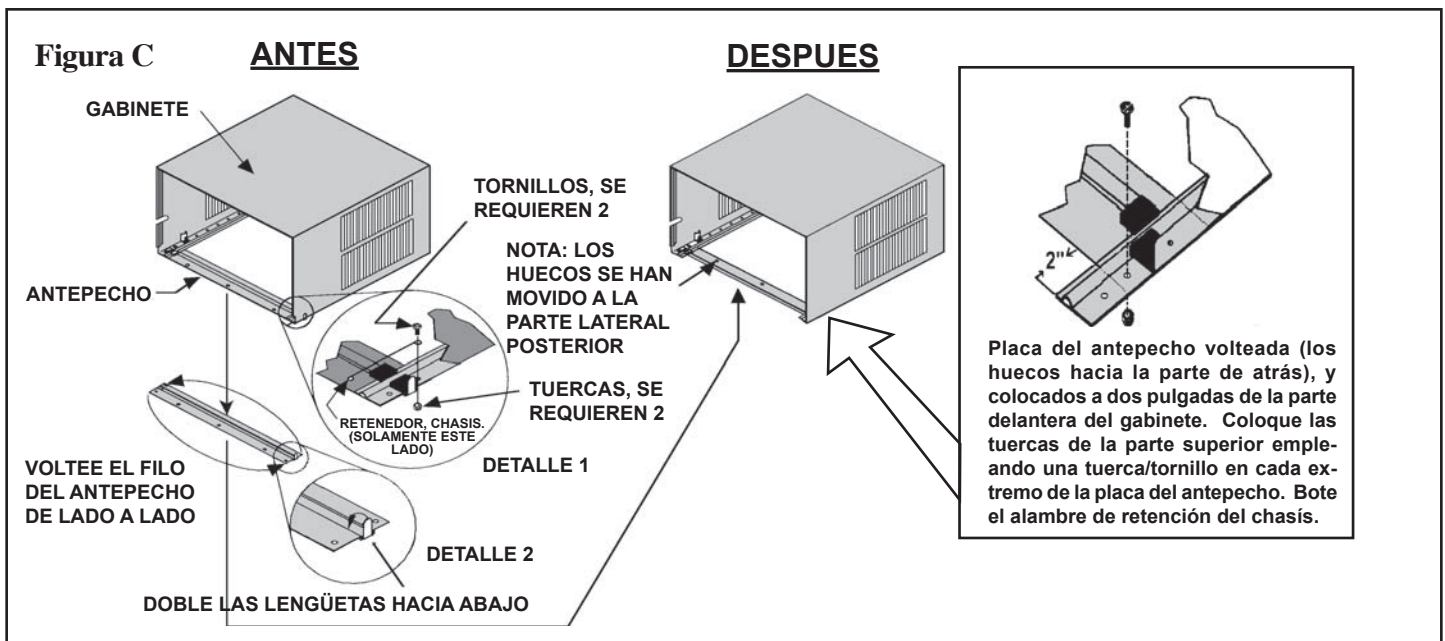
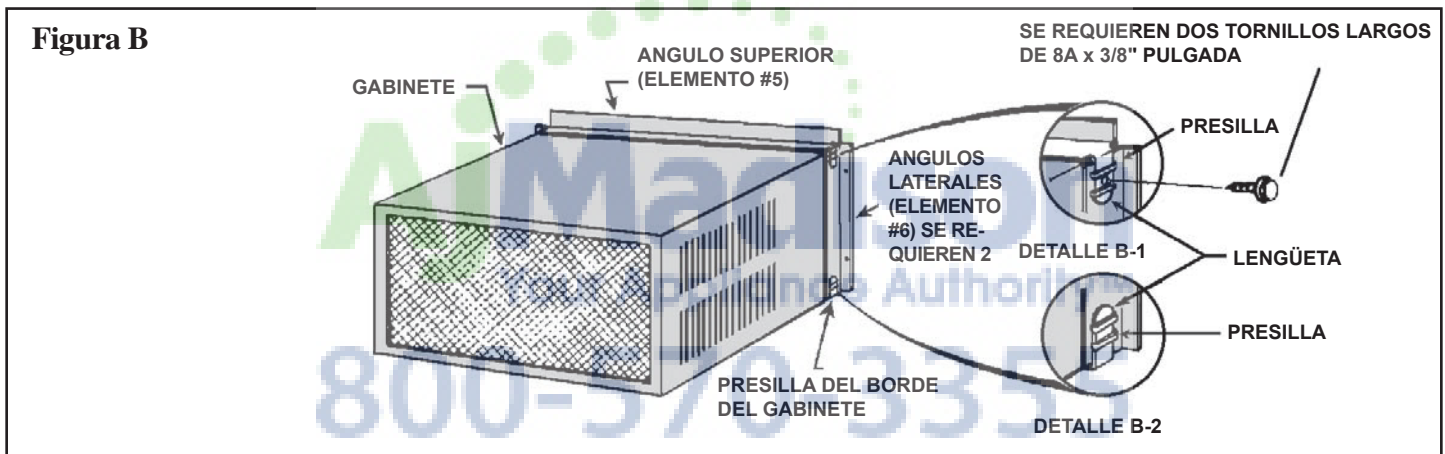
### Si esta instalacion es para una ventana de bastidor

Con el reborde ancho y los huecos piloto de la placa del antepecho hacia adelante, coloque los tornillos/tuercas en los huecos posteriores de la placa del antepecho y en el tercer hueco de la armazón contado de adelante hacia atrás (el hueco en la mitad de tres huecos cuadrados para los modelos de 1995-1996). Fije los ángulos laterales (Elemento #6) apretando las lengüetas en cada extremo de la placa del antepecho y asegurando de esta

manera las presillas del ángulo lateral. Encaje las lengüetas en cada extremo del ángulo superior (Elemento #5) con las presillas superiores del ángulo lateral. Instale dos (2) tornillos (Elemento #7) para asegurar las lengüetas del ángulo superior y el ángulo lateral a los huecos traseros en la pared de la armazón (Vea la figura B, a continuación).

### Si la instalacion se hace a traves de la pared

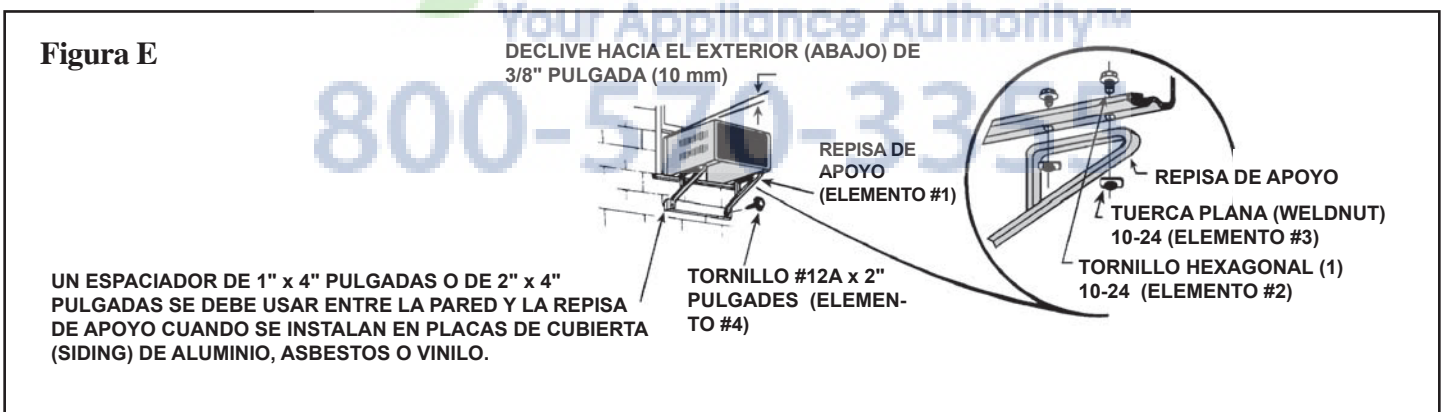
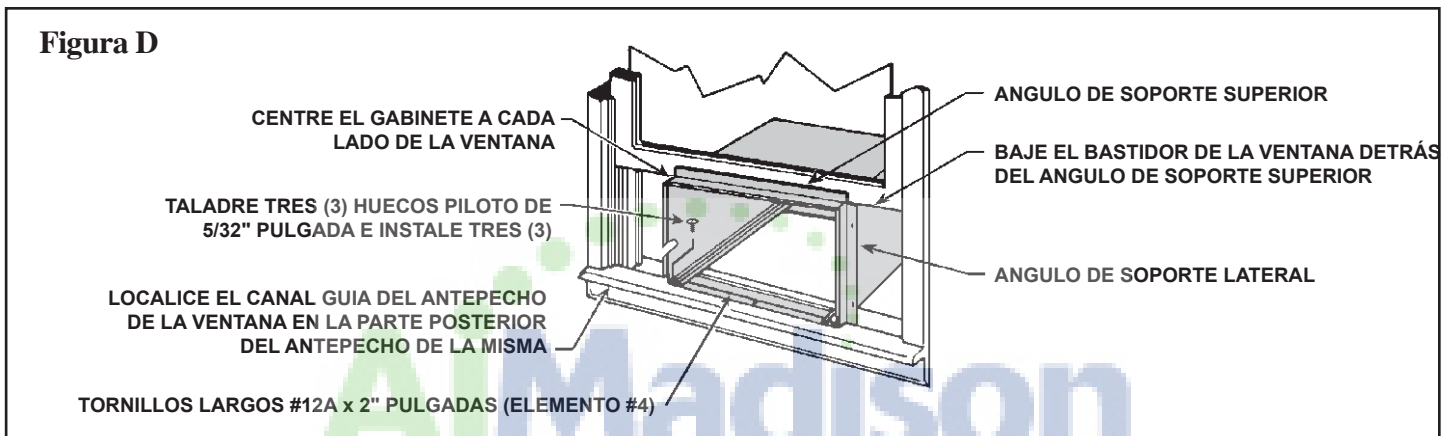
Voltée la placa del antepecho de extremo a extremo (180 grados) para que el reborde ancho con los huecos piloto quede encima de la pared (hacia atrás) y a dos pulgadas de la parte de adelante del gabinete. Doble las lengüetas para que entren por el canal de la placa del antepecho, coloque los tornillos/tuercas en los huecos delanteros de la placa del antepecho y dentro del segundo hueco de la parte delantera del gabinete. Utilice una tuerca en cada lado para asegurar la placa del antepecho al gabinete. (Vea la Figura C a continuación).



## Instalacion Del Armazon: Instalaciones En Ventanas De Bastidor

**PASO 1** Examine el antepecho y marco de la ventana y asegúrese que están en buenas condiciones y anclados firmemente en la pared. Haga los arreglos que sean necesarios.

**PASO 2** **MONTAJE DEL GABINETE.** Suba la ventana del antepecho inferior 1/4 de pulgada más arriba de la altura del gabinete. Con cuidado introduzca el gabinete a través de la ventana abierta hasta que el canal de la placa del antepecho descansa por detrás del antepecho de la ventana y que el ángulo superior de apoyo quede contra la ventana (Vea Figura D). Coloque el gabinete en el centro de lado a lado y taladre tres (3) huecos piloto de un diámetro de 5/32" pulgada en el antepecho de la ventana, utilizando los huecos en la placa del antepecho del gabinete como guía. Instale tres (3) tornillos largos #12A x 2" pulgadas (Elemento #4) (Vea Figura D.)

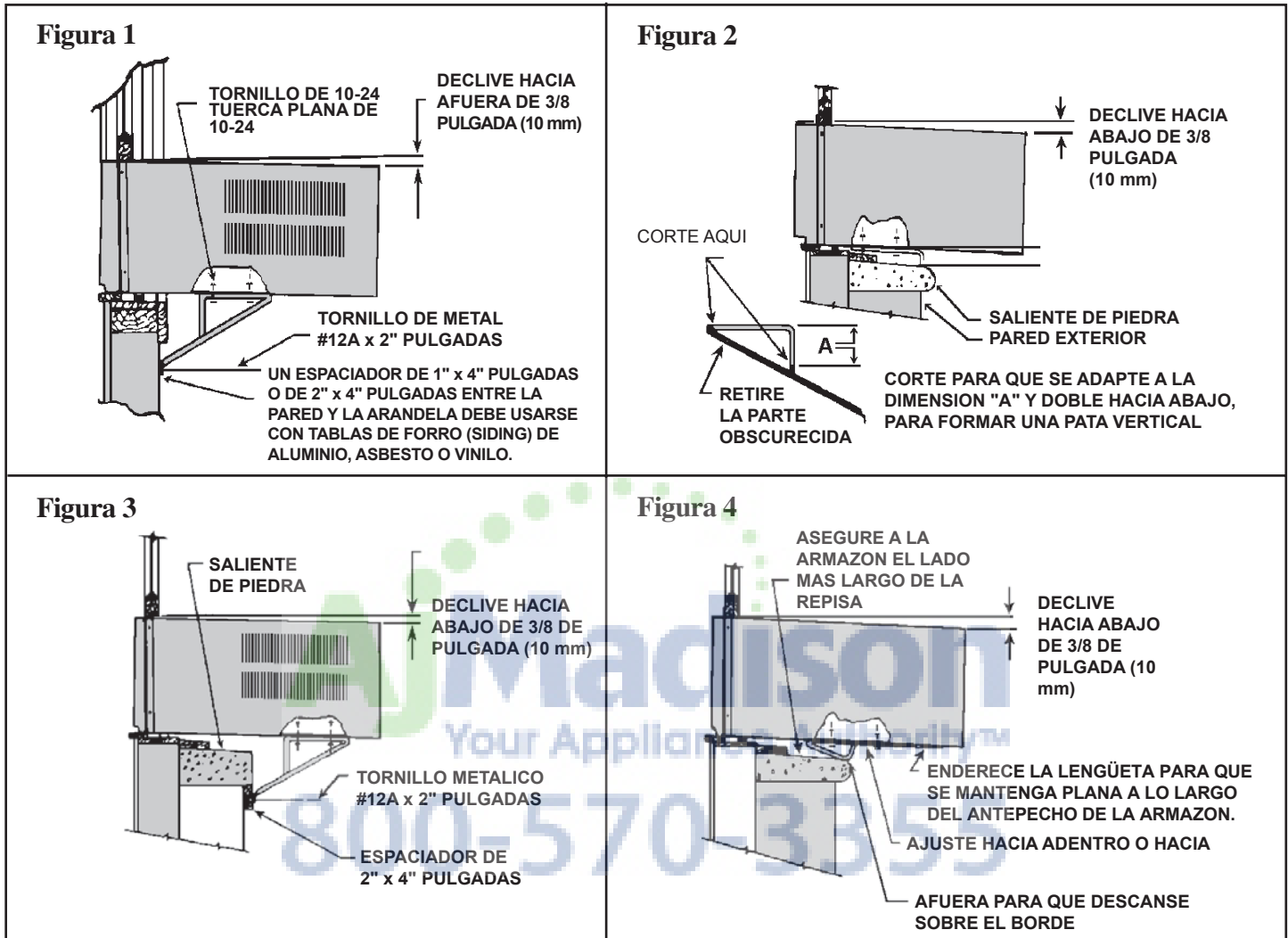


**PASO 3** **MONTAJE DE APOYO EXTERIOR:** Ensamble las repisas de apoyo (soporte)(Elemento #1) a los rieles inferiores del gabinete, utilizando cuatro (4) tornillos largos de 10-24 1" pulgadas (Elemento #2) y cuatro (4) tuercas planas de 10-24 (Elemento #3). Ajuste las repisas de apoyo para que los cojinetes inferiores queden en contacto con la superficie de la pared (Ver Figura E).

DEBE EMPLEARSE UN SEPARADOR DE MADERA DE 1" x 4" O DE 2" x 4" PULGADAS ENTRE LA PARED Y LAS REPISAS CUANDO SE ESTE HACIENDO UNA INSTALACION EN PAREDES EXTERIORES DE VINILO O DE ALUMINIO. Taladre huecos de 5/32" pulgada (4 mm) de diámetro y asegure las repisas a la pared con dos (2) tornillos largos de #12A x 2" pulgadas (Elemento #4). Ajuste las repisas de apoyo para dar una inclinación de de aproximadamente 3/8" pulgada (10 mm) hacia abajo en la parte exterior, para que haya drenaje. Apriete todos los tornillos. (Vea la Figura E).

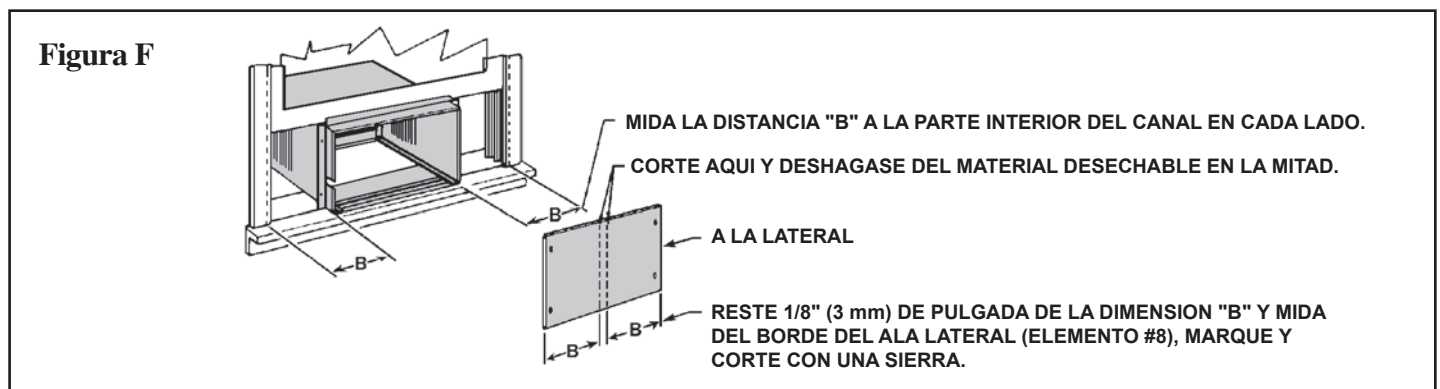
Las ilustraciones a continuación muestran la instalación en marcos de construcción normal, así como también algunas formas de adaptar la repisa de apoyo al espesor de las paredes y a los salientes de piedras grandes.

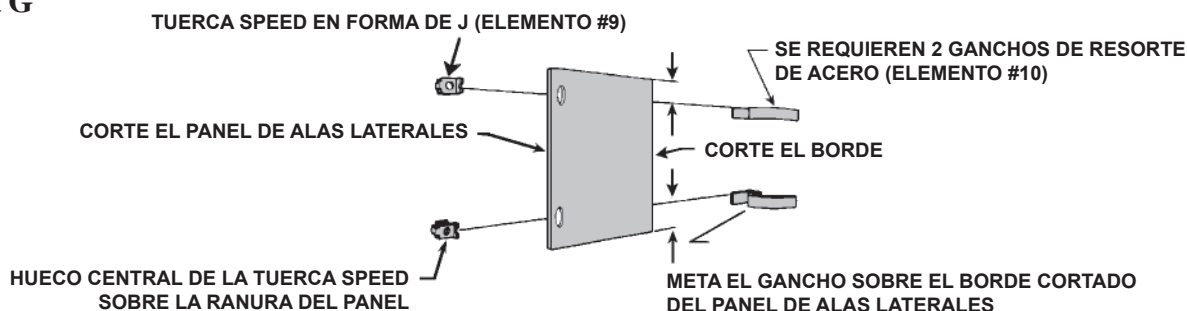
### Instalacion Tipica Del Filo Del Antepecho



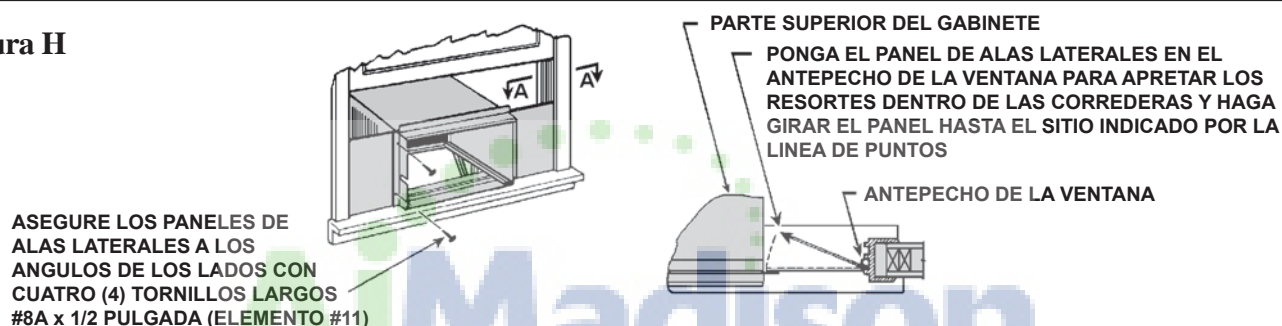
PASO 4. CORTE DE LOS PANELES DE ALAS LATERALES: mida y corte los p neles de alas laterales de masonita que se suministran (Elemento #8) para que se acomoden a los espacios entre los canales laterales de la ventana y los lados del gabinete (Vea la Figura F).

NOTA: UNA VEZ HAYA CORTADO LOS PANELES, HAGA UN ENSAYO PARA VER SI SE AJUSTAN AL CAMPO CON UN ESPACIO DE APROXIMADAMENTE 1/8" PULGADA (3 mm) ANTES DE CONTINUAR AL PASO 5.



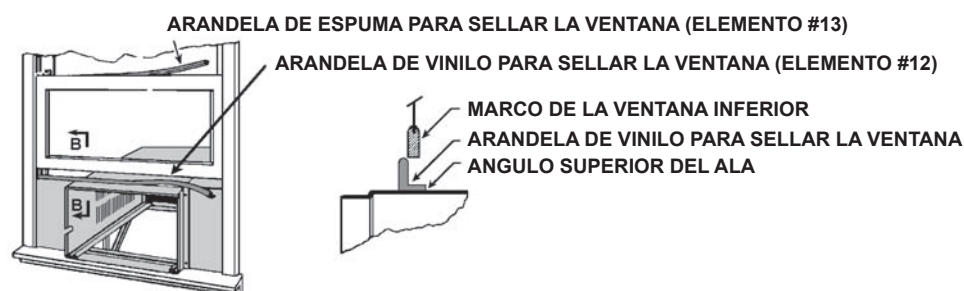
**Figura G**

**PASO 5.** INSTALE LOS GANCHOS DE LOS PANELES DE ALAS LATERALES: Ensamble las tuercas de tipo "J" (Elemento #9) y los ganchos de resorte de acero (Elemento #10) a los bordes cortados de los paneles de alas laterales (Vea Figura G).

**Figura H**

**PASO 6.** INSTALE LOS PANELES DE ALAS LATERALES: Asegúrese de que el gabinete se encuentra bien apretado al antepecho de la ventana y que las repisas de apoyo se han instalado de acuerdo a como se demuestra en las figuras D y E en la página 29. Levante el bastidor de la ventana e instale los paneles de alas laterales de la derecha y de la izquierda (Ver Figura H).

**PASO 7.** INSTALE LOS EMPAQUES DE AISLAMIENTO DE LA VENTANA: Mida y corte el empaque de vinilo para aislar (sellar) la ventana (Color gris, Elemento #12) para que se acomode al ancho de la ventana e instálelo de acuerdo con la muestra en la figura I. Baje el bastidor de la ventana por detrás del empaque. Mida y corte el empaque de espuma oscura para sellar la ventana (Elemento #13) e instálelo entre el panel superior de vidrio y la parte superior del bastidor inferior. (Ver Figura I)

**Figura I**

**NOTA:** POR RAZONES DE SEGURIDAD, EL CLIENTE DEBE UTILIZAR UN SISTEMA PARA PREVENIR QUE SE PUEDA ABRIR LA VENTANA.

**PASO 8.** Cuando sea posible, ponga masilla para relleno en la parte exterior de la instalación, empleando una masilla de relleno tipo industrial, para prevenir que haya filtración de agua.

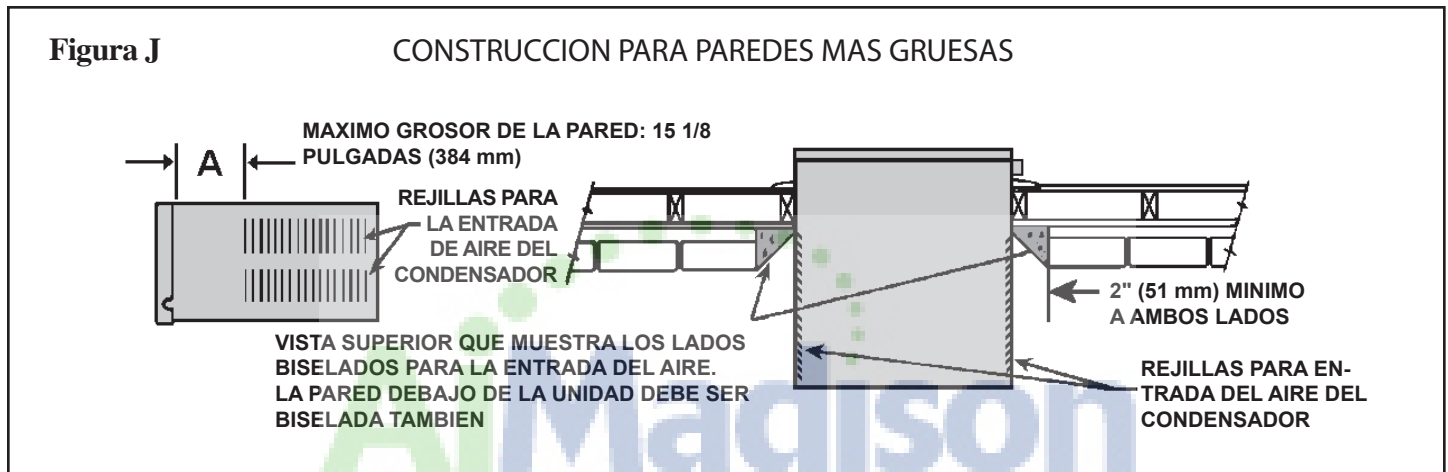
# Instalacion De La Armazon: Instalaciones A Traves De La Pared

## Preparacion De La Pared

El grosor máximo que se permite para la pared sin que se emplee una construcción especial se determina de acuerdo con el tamaño del modelo que va a instalarse. LAS LAS REJILLAS DE ENTRADA DE AIRE EXTERIOR DEL CONDENSADOR DEL GABINETE NO DEBEN SER OBSTACULIZADAS POR LA PARED. Fíjese en el grosor máximo de la pared mostrado como la dimensión "A" en la Figura J.

## Instrucciones Especiales Para Paredes Extra Gruesas.

Para las instalaciones en paredes más anchas de las que aparecen en la dimensión "A" sugerimos que se utilice la construcción de la Figura J. (Ver Figura J)



**PASO 1.** EXAMINE LAS CONEXIONES ELECTRICAS Y LA PLOMERIA: Cerciórese de la ubicación de todas las conexiones eléctricas y de la plomería por dentro y por fuera de la pared, para asegurar que no se dañarán donde usted va a perforar un hueco.

**PASO 2.** EXCAVACION DEL HUECO: De acuerdo con el tamaño de la unidad que se va a instalar, calcule las dimensiones del hueco de acuerdo con el gráfico a continuación (Vea la Figura K). Corte y enmarque el hueco de acuerdo con las dimensiones establecidas. Utilice maderas de 2" x 4" pulgadas para el marco y siga las instrucciones de instalación típicas que se sugieren en las Figuras L, M, o N de la página 33.

**NOTA:** SI LA CONSTRUCCION DE LA PARED ES DE VIGAS DE MADERA TÍPICAS O ES DE 2 x 4, CON FORRO EN LADRILLO O EN PIEDRA, UBIQUE EL HUECO AL LADO DE UNA DE LAS VIGAS. PARA CONSTRUCCIONES DE LADRILLO, CONCRETO O LADRILLOS DE CENIZAS LOCALICE EL HUECO A SU CONVENIENCIA.

**Figura K** REQUISITOS DE TAMAÑO DE LOS HUECOS

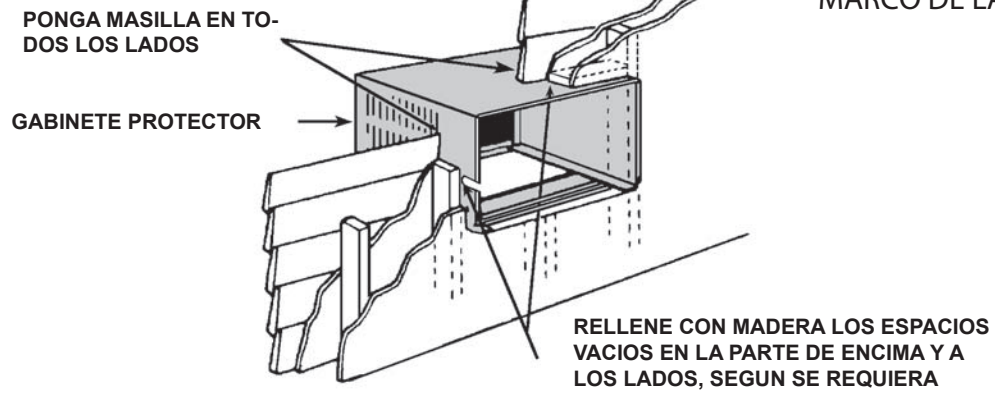
DIMENSION TERMINADA	CHASIS SH 15	CHASIS SH 20
A	16-3/16" pulgada (411 mm)	18-3/16" pulgada (462 mm)
B	26-3/16" pulgada (665 mm)	26-3/16" pulgada (665 mm)

**NOTA: ESTAS SON LAS DIMENSIONES DEL HUECO TERMINADO**



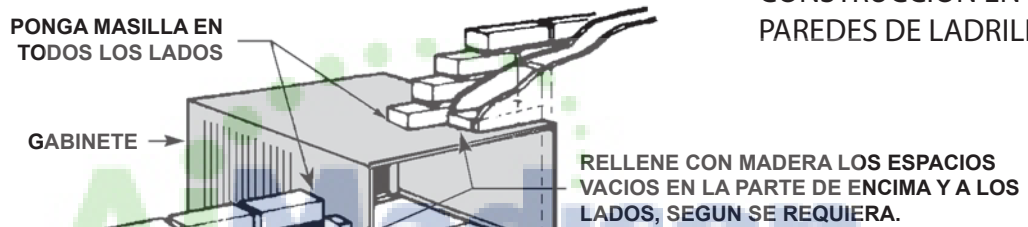
**Figura L**

CONSTRUCCION EN EL MARCO DE LA PARED



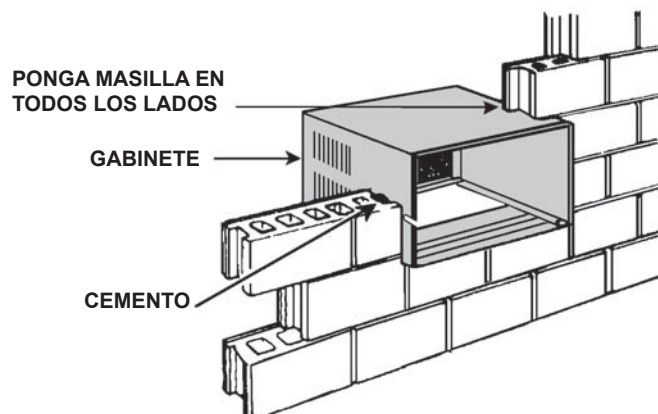
**Figura M**

CONSTRUCCION EN PAREDES DE LADRILLO



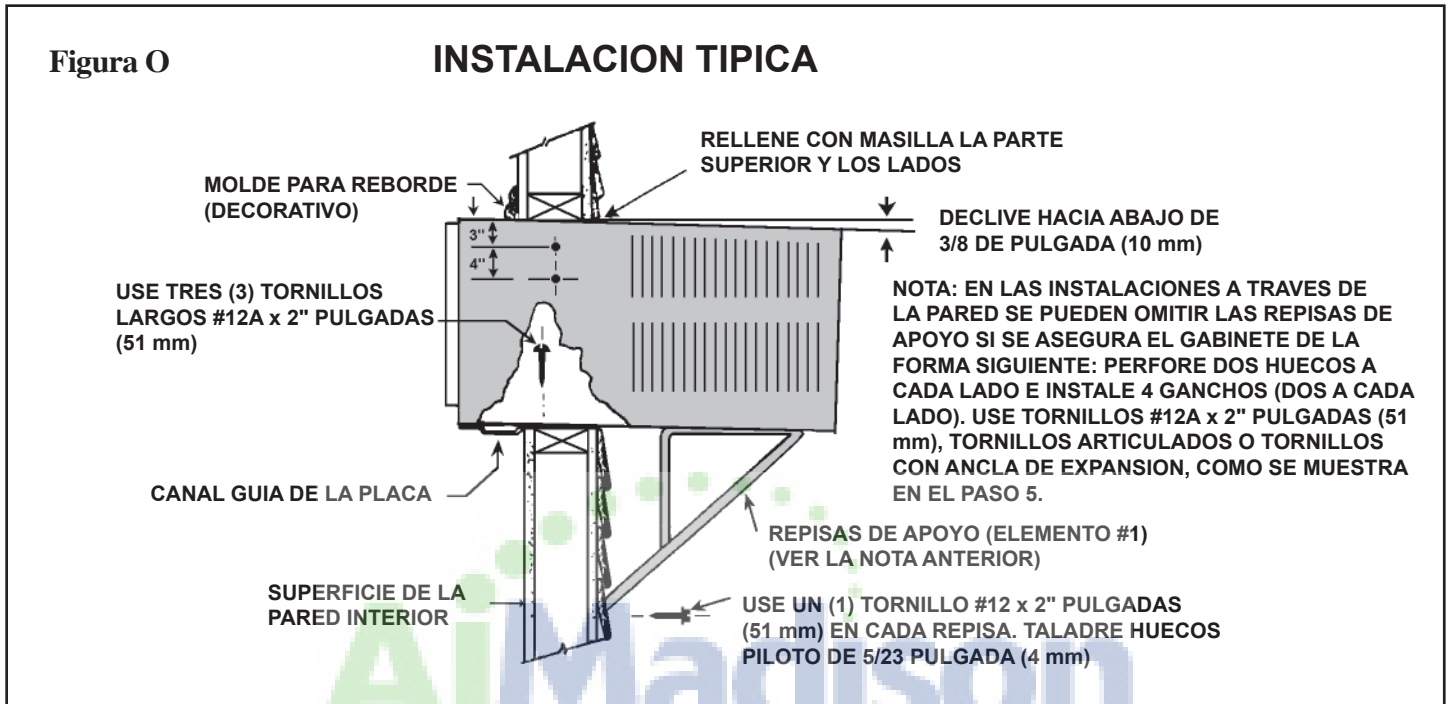
**Figura N**

CONSTRUCCION EN ALBAÑILERIA SOLIDA



**PASO 3** Meta el gabinete en el hueco suficientemente como para permitir que el canal de guía de la placa del antepecho haga contacto con la superficie interior de la pared (Ver Figura O).

**PASO 4** Taladre tres (3) huecos piloto de un diámetro de 5/32" pulgada a través de los huecos de la placa del antepecho en el marco e instale tres (3) tornillos largos #12 x 2" (Elemento #4) (Ver Figura O).



**NOTA:** LOS SUJETADORES OPCIONALES QUE SE PUEDEN EMPLEAR PARA ASEGURAR LA PLACA DEL ANTEPECHO A LA PARED Y LAS REPISAS DE APOYO A LAS PAREDES EXTERIORES NO SE SUMINISTRAN PERO LOS PUEDE ENCONTRAR EN CUALQUIER FERRETERIA.



TORNILLO ARTICULADO O MOLLY



TORNILLO DE ANCLA DE EXPANSION

**PASO 5** Taladre dos (2) huecos piloto de 5/32" (4 mm) de diámetro a cada lado de los lugares que aparecen en la Figura O e instale cuatro (4) tornillos #12 x 2" (Elemento #4). Si la construcción del hueco en el paso 2 da un montaje fuerte con vigas verticales sólidas, no se necesitan repisas de apoyo. La instalación debe sostener el peso de la unidad más un peso adicional de cuatrocientas (400) libras (185 kg) en la parte de atrás del gabinete. Las repisas de apoyo pueden emplearse en instalaciones a través de la pared como se demuestra en la Figura O, para lograr un apoyo adicional.

**PASO 6** Si se desea, se puede emplear una moldura de acabado alrededor del gabinete por el lado interior, el cual lo debe suministrar la persona que haga la instalación (Vea la Figura O).

## Instalacion Del Chasis

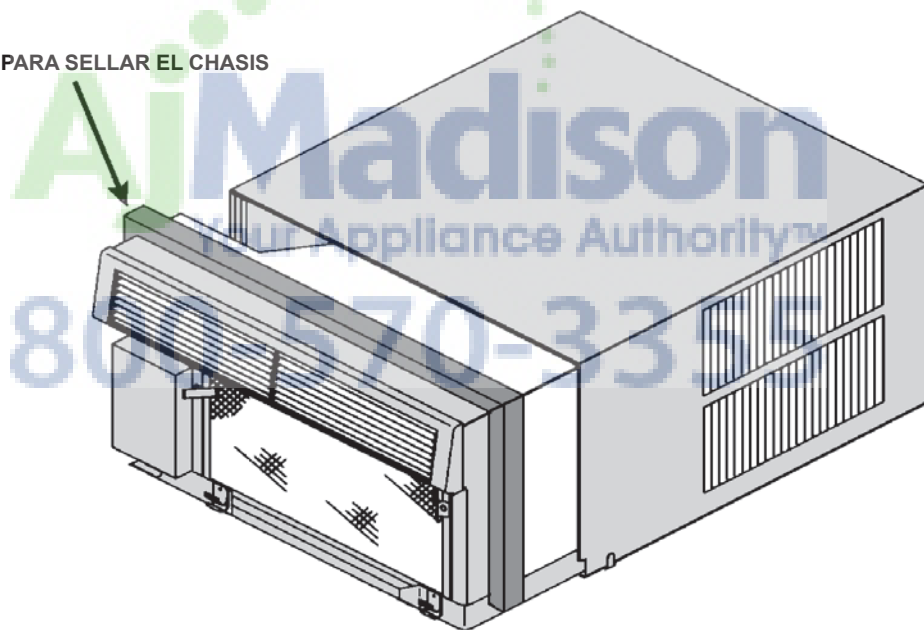
**PASO 1** Introduzca el chasis en el gabinete dejando un espacio de aproximadamente tres pulgadas por fuera. Meta la arandela de sello del chasis (Elemento #14) a una profundidad de 1" pulgada dentro del chasis y el gabinete (Vea la Figura P). Empiece en cualquiera de las esquinas de abajo y vaya hacia arriba por los lados, alrededor **de la parte de arriba** y nuevamente hacia abajo por el lado opuesto. Asegúrese de que el empaque queda por detrás del conector del conducto (más alejado de usted). Empuje el chasis hacia adentro de la armazón en la distancia que queda para que la tapa plástica delantera recubra el borde delantero del armazón. Asegure la placa de montaje de la caja de empalme de conexiones al armazón con un tornillo para hoja de metal.

Si no se instala la junta de sello del chasis, el funcionamiento de la unidad será afectado de manera adversa. Además, aumentarán el ruido del funcionamiento y el ruido exterior.

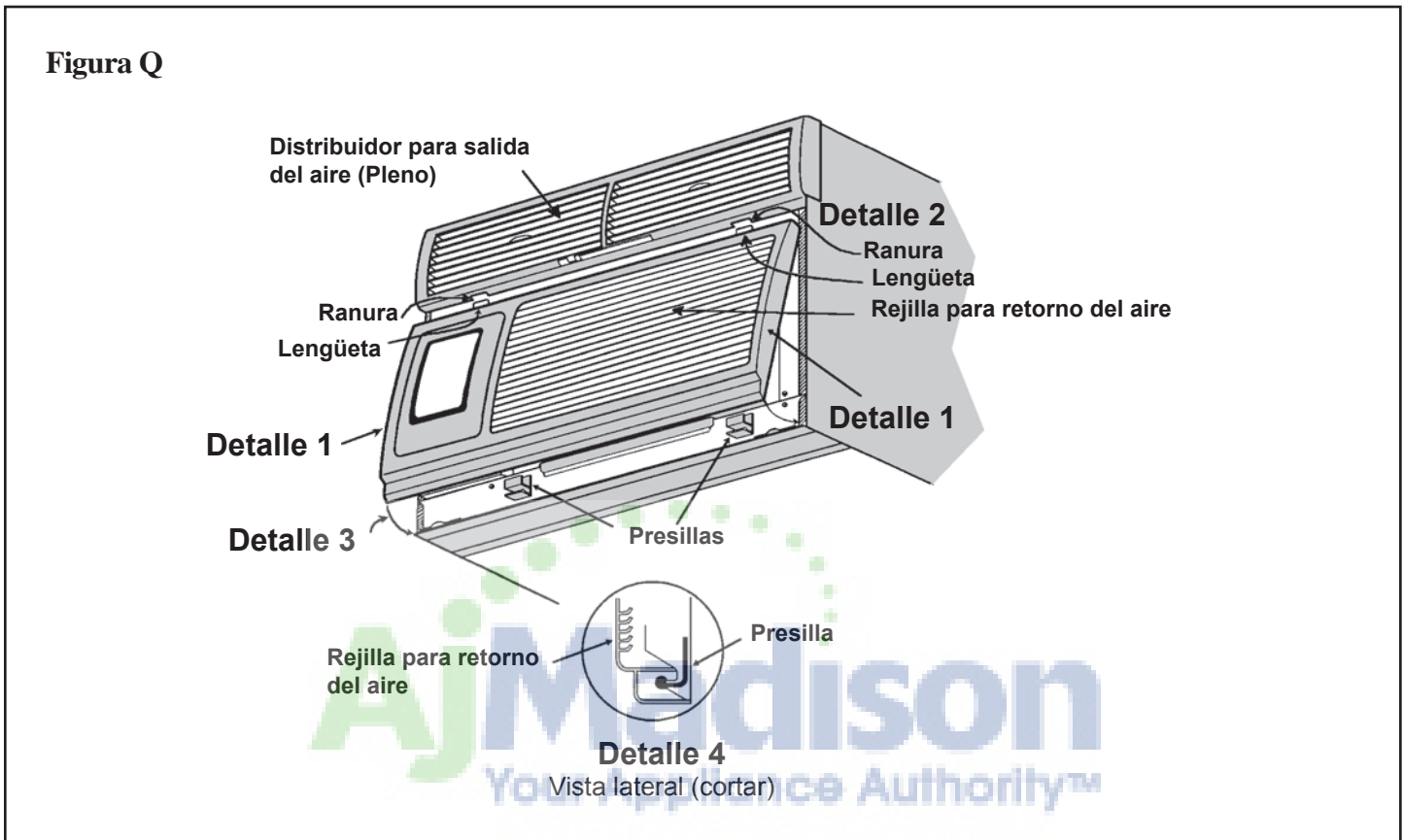
**NOTA:** Usted debe suministrar la instalación eléctrica a esta caja de empalme de conexión de acuerdo con EL ARTICULO 501 DEL CODIGO NACIONAL DE ELECTRICIDAD NFPA70, 2008 (DE LOS ESTADOS UNIDOS). Los alambres a tierra para el equipo deben terminarse en el poste, en la caja de empalme de conexión, con el tornillo verde que se suministra. Los alambres de suministro de electricidad para los equipos deben conectarse con el suministro por medio de tuercas para alambre (no se suministran). Instale la arandela y la placa de la cubierta en la caja de empalme de conexión.

**Figura P**

ARANDELA PARA SELLAR EL CHASIS



**PASO 2** Asegúrese de que el filtro está en su lugar e instale la rejilla para retorno de aire. (Ver Figura Q). La parte superior de la rejilla de retorno de aire se puede colocar contra la parte inferior del distribuidor de descargue de aire. Enganche la rejilla en su sitio ampujándola hacia arriba y en los broches de la parte inferior



**PASO 3** Usted ha completado su instalación. Repase la instalación con el fin de garantizar que la unidad se ha instalado de forma correcta y segura.



**F R I E D R I C H**

Friedrich Air Conditioning Company  
P.O. Box 1540  
San Antonio, TX 78295  
210.357.4400  
www.friedrich.com

## **UNIDADES DE AIRE ACONDICIONADO HAZARDGARD DE FRIEDRICH GARANTÍA LIMITADA DE UN AÑO**

**1. Garantía limitada - un año.** Friedrich garantiza que reemplazará cualquier parte de esta unidad de Aire Acondicionado Hazardgard para habitación que no funciona debido a un defecto de manufactura o del material, dentro un año a partir de la fecha original de compra.

**2. Garantía limitada - un año.** La garantía de Friedrich cubre también los costos de mano de obra para la reparación de cualquier condensador, evaporador o tubería de conexión que se encuentre defectuoso dentro del período de la garantía, siempre y cuando la unidad se devuelva a un sitio de reparación Friedrich ubicado dentro de los 48 Estados Unidos contiguos.

**Esta garantía de Friedrich no cubre (1) ningún costo ocasionado por remover, transportar o reinstalar la unidad; (2) el costo de la mano de obra para reemplazar partes distintas a las descritas anteriormente; y (3) no cubre ninguna unidad de aire acondicionado Hazardgard para habitación que haya estado sometida a (a) accidentes, maltrato, inundaciones, incendios, o negligencia; (b) arreglos o alteraciones hechas fuera de un centro de servicio o un distribuidor Friedrich, en forma tal que impacte adversamente su debido funcionamiento o confiabilidad; ni (c) reparaciones o servicio que sean consecuencia del uso de partes no vendidas o aprobadas por Friedrich.**

**Esta garantía es una garantía limitada. No obstante, cualquier término de la garantía, DE IDONEIDAD EXPRESA PARA CUALQUIER PROPOSITO PARTICULAR Y/O PARA MERCADEO SE LIMITARÁ A LA DURACION CONCEDIDA POR ESTA GARANTIA EXPRESA. EL FABRICANTE RENUNCIA EXPRESAMENTE Y EXCLUYE CUALQUIER RESPONSABILIDAD POR DAÑOS INCIDENTALES O CONSECUENCIALES DETERMINADOS POR EL ROMPIMIENTO DE CUALQUIER GARANTIA EXPRESA O IMPLICITA.**

**800-570-3355**

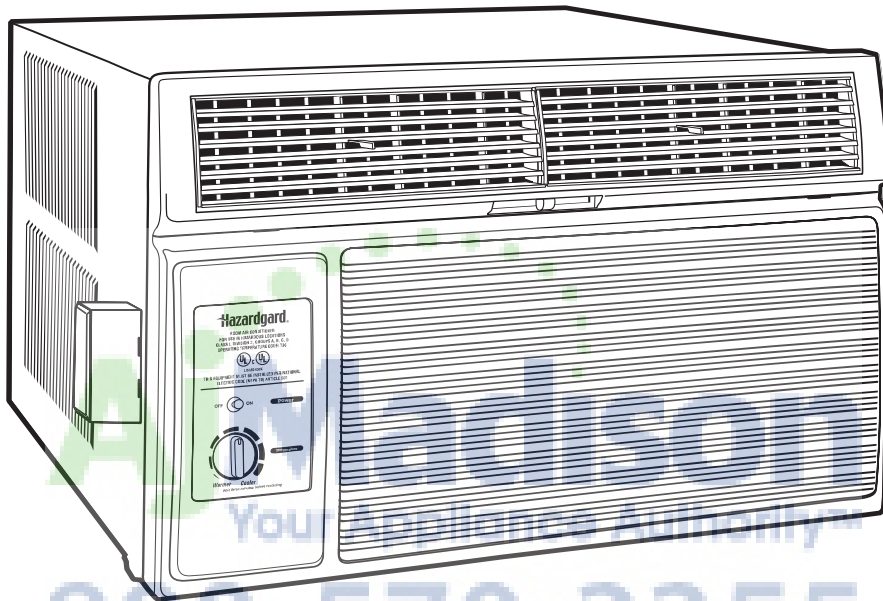
(11-09)



F R I E D R I C H

Hazardgard®

Climatiseurs



230-Volt: SH15 | SH20

920-024-07 (8/09)

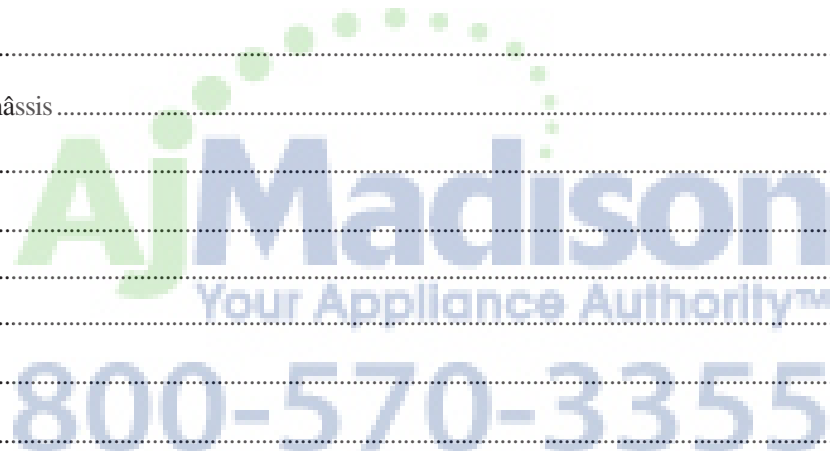
# Table Des Matières

## Instructions D'utilisation Et D'entretien

Instructions générales .....	40
Renseignements sur le filtre.....	41
Dépannage.....	41
Caractéristiques spéciales.....	42
Panneau de commande.....	42
Underwriters Laboratories.....	43

## Instructions D'installation

Alimentation électrique .....	44
Déballage de l'appareil .....	46
Préparation et câblage du châssis .....	46
Préparation de l'enveloppe.....	47
Installation de l'enveloppe .....	48
Fenêtre à guillotine.....	48
Dans un mur .....	51
Installation du châssis .....	54
GARANTIE .....	56



## Tous nos compliments !

Nous vous remercions d'avoir fait le choix de ce nouveau Friedrich Hazardgard (Hazardous Duty Room Air Conditioner). Ce climatiseur monobloc autonome, conçu et fabriqué avec soin, vous fournira une température et un niveau d'humidité confortables, avec constance et efficacité pendant de nombreuses années. Des caractéristiques de pointe permettent à cet appareil de fonctionner en silence et d'améliorer la circulation d'air frais et sec tout en économisant au maximum les ressources énergétiques.

## Instructions préliminaires

Le but de ce manuel est de vous permettre de tirer le meilleur profit des performances de votre appareil. Nous vous conseillons donc de suivre scrupuleusement les instructions d'installation. Nous n'insisterons jamais assez sur l'importance du soin apporté à l'installation, aussi avons-nous inclus dans ce manuel des renseignements très détaillés pour vous permettre d'effectuer le plus correctement possible chacune des opérations.



### Avertissement

#### Système frigorifique sous pression.

Ne pas percer ni incinérer. Éloigner de toute flamme et de toute source de chaleur.

Les réparations et la maintenance ne doivent être effectuées que par un technicien qualifié en réfrigération.

Les pressions du R410A sont supérieures à celles du R22. À chaque intervention technique, prendre toutes les précautions recommandées.

Utiliser exclusivement des manomètres conçus pour du R410A et non pour du R22.



### Avertissement

Lire attentivement ce manuel avant l'installation et l'utilisation de l'appareil.

L'installateur est responsable de l'applicabilité et de la bonne installation de l'équipement. Celle-ci doit être conforme aux normes les plus récentes du Code canadien de l'électricité et du Code international sur les installations mécaniques ainsi qu'à toute autre réglementation nationale ou provinciale pertinente.

Toute absence de conformité peut entraîner des dommages matériels et provoquer des blessures graves ou fatales.

### Voici quelques suggestions pour vous aider à optimiser le rendement de votre appareil :

1. Il faut lire attentivement les instructions d'installation et les suivre.
2. Vérifier que l'appareil a une capacité suffisante pour le volume à refroidir. Quand la capacité est trop faible, l'appareil travaille plus dur, utilise plus d'électricité et s'use plus rapidement. Quand la capacité est trop grande, l'appareil se met en marche et s'arrête trop fréquemment et ne peut pas contrôler l'humidité aussi bien.
3. À la mise en marche de l'appareil, mettre le thermostat à la température la plus basse pour refroidir la pièce. Quand la température désirée est atteinte, tourner le thermostat à une température plus élevée jusqu'au déclin d'arrêt du compresseur. Le thermostat met en marche et arrête le compresseur pour maintenir la température désirée.
4. Nettoyer le filtre fréquemment (consulter l'entretien général).
5. Il ne faut pas bloquer la circulation d'air entrant et sortant de l'appareil. Il faut s'assurer que les bouches sont dirigées pour distribuer l'air de manière uniforme dans toute la pièce. Attention - Si l'air est dirigé vers un endroit clos, tel que derrière un lit ou dans un coin, ceci peut forcer le climatiseur à se mettre en marche et s'arrêter fréquemment, ce qui peut l'endommager.
6. Un filtre sale ou des commandes mal réglées peuvent affecter le refroidissement par l'appareil.
7. Si le refroidissement est faible et si, après vérification, le filtre est propre, et si les commandes sont réglées correctement, il est possible que le niveau de fluide frigorigène dans l'appareil est trop faible, au quel cas, il faut appeler le technicien Friedrich pour vérifier l'appareil.
8. Maintenir les stores, les rideaux et les draperies fermés sur le côté ensoleillé de la pièce à refroidir.

9. Une isolation appropriée aide à maintenir la température désirée.
10. Dans la mesure du possible, utiliser des auvents pour créer de l'ombre sur les fenêtres exposées à l'ouest.
11. Pour assurer une bonne circulation de l'air, les rideaux de la fenêtre ne doivent pas recouvrir l'appareil.

### La sécurité est primordiale, pour vous comme pour votre entourage.

Vous trouverez dans ce manuel et sur l'appareil plusieurs essais de sécurité. Veuillez respecter systématiquement leurs indications.



Ceci est un symbole d'alerte. Il attire votre attention sur un risque potentiel de blessures ou un danger de mort.

Il est toujours suivi du mot « AVERTISSEMENT » ou « ATTENTION ». Voici la signification de ces mots :

#### AVERTISSEMENT

Indique un danger qui, s'il n'est pas évité, peut provoquer des blessures graves ou fatales et endommager l'équipement et d'autres biens.

#### ATTENTION

Indique un danger qui, s'il n'est pas évité, peut provoquer des blessures et endommager l'équipement et

d'autres biens.

Tous les messages vous informent sur la nature du danger et la manière de l'éviter ainsi que sur les conséquences en cas de négligence.

#### AVIS

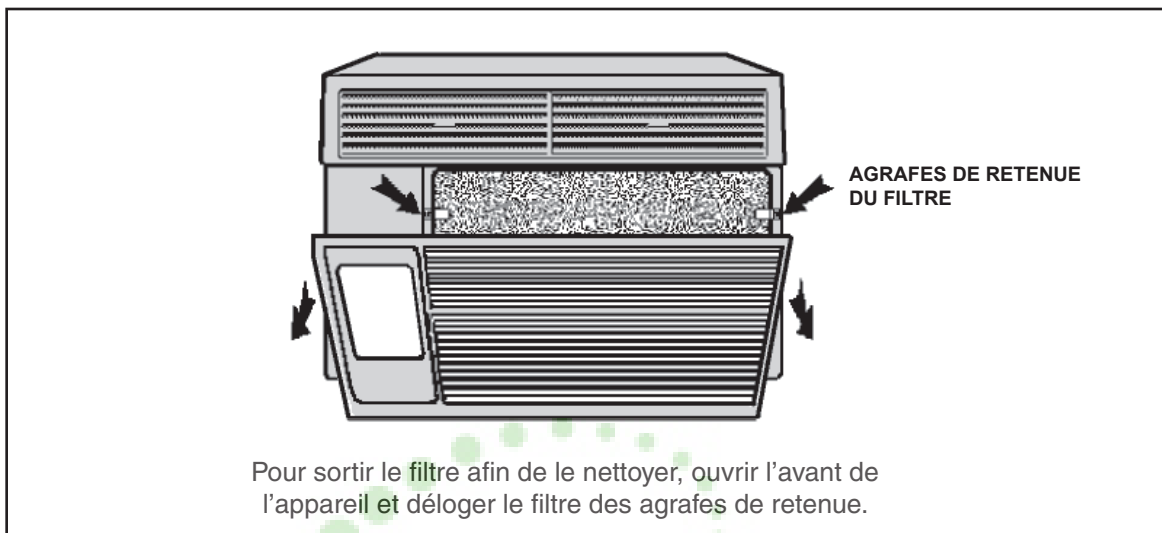
Indique un risque de dommages matériels en cas de non-respect des instructions.



## Renseignements Sur Le Filtre

Le filtre du climatiseur Friedrich élimine la poussière, le pollen et autres impuretés de l'air passant dans l'appareil. Le filtre permanent et réutilisable a été soumis à un traitement germicide qui n'est pas affecté par le lavage.

Un filtre colmaté et sale diminue le débit d'air passant dans l'appareil et réduit son rendement. Il faut inspecter le filtre tous les sept à dix jours, selon l'utilisation de l'appareil. Nettoyer le filtre régulièrement.



## Dépannage

### Pas De Refroidissement

Si l'appareil fonctionne mais ne refroidit pas, vérifier que les commandes sont réglées correctement. Inspecter le filtre et le nettoyer selon le besoin. Vérifiez si le joint d'étanchéité du châssis est installé (consultez les directives d'installation).

### L'appareil Ne Fonctionne Pas

Si l'appareil ne fonctionne pas du tout, vérifier qu'il est branché correctement. Vérifier si le fusible est grillé ou le disjoncteur ouvert. Remplacer un fusible grillé par un fusible temporisateur (time-delay fuse) de la bonne capacité. La plaque d'identification de l'appareil montre la capacité correcte du fusible. Après la remise sous tension, attendre trois minutes avant de remettre l'appareil en marche.

### Le Serpentin Interne Est Complètement Givré

L'appareil Hazardgard Friedrich est conçu pour ne pas givrer avec une température extérieure aussi basse que 45 °F (7 °C).

Le givrage a lieu quand l'air extérieur est humide et à une température inférieure à 45 °F (7 °C). Si le serpentin interne est givré pendant le refroidissement, mettre le thermostat à la température la plus élevée jusqu'à l'élimination de tout le givre. Régler le thermostat à une température légèrement plus haute peut éviter la formation de givre sur le serpentin. Un filtre sale contribue au givrage.

### Nettoyage

Il faut nettoyer avec de l'eau chaude et un détergent doux la grille avant du climatiseur Friedrich, ainsi que l'enveloppe complète. Il faut nettoyer périodiquement les serpentins et le plateau afin d'obtenir le meilleur rendement possible.

### Lubrification

Le moteur du ventilateur est lubrifié et étanche. Aucune lubrification n'est nécessaire.

## Caractéristiques Spéciales Des Appareils Hazardgard

- Moteur du ventilateur totalement enclos à condensateur auxiliaire permanent, pour assurer un fonctionnement efficace, même dans des conditions électriques adverses. Le moteur est équipé d'un arbre spécial en acier inoxydable pour résister à la corrosion et une protection de surcharge hermétique pour fonctionnement sans étincelles.
- Compresseur de haute capacité avec protection de surcharge hermétique interne.
- Contient un suppresseur de tension transitoire pour protéger les commandes contre les pointes de tension. Fournit des commutateurs électroniques pour fonctionnement sans étincelles.
- Commande de dérivation des gaz chauds à température ambiante basse pour permettre le fonctionnement à une température ambiante de 45 °F (7 °C).
- Interrupteur de marche-arrêt étanche et contacts plaqués or dans le thermostat, pour résister à la corrosion.
- Apprêt à dépôt électrolytique d'époxyde et à email alkyde, tous les deux cuits au four pour donner un fini attrayant et durable.
- Serpentins à tubes en cuivre et ailettes en aluminium.
- Enveloppe et plateau en acier galvanisé, le tout bondérisé.
- Châssis coulissant pour faciliter l'installation dans une fenêtre ou à travers un mur.
- Isolation extra à l'intérieur, y compris un plénum complètement isolé afin d'obtenir un refroidissement plus silencieux et plus efficace.
- Appareil mis à l'épreuve dans une chambre environnementale avant emballage.
- Commande d'air à huit positions pour obtenir une circulation uniforme.
- Évacuation de la condensation avec une trappe à moustique en exclusivité.
- Installation sur un circuit de 15 A à fusible temporisé. Peut être branché directement sur le circuit.
- Filtre à air durable de 3/8" (10 mm) d'épaisseur, avec traitement germicide, à dépose facile pour le nettoyage.

La qualité des climatiseurs Friedrich a été prouvée par plus de vingt-cinq années d'expérience du Golfe du Mexique aux sables brûlants du désert arabe.

## Panneau De Commande

### Commande De Fonction (Mise En Marche)

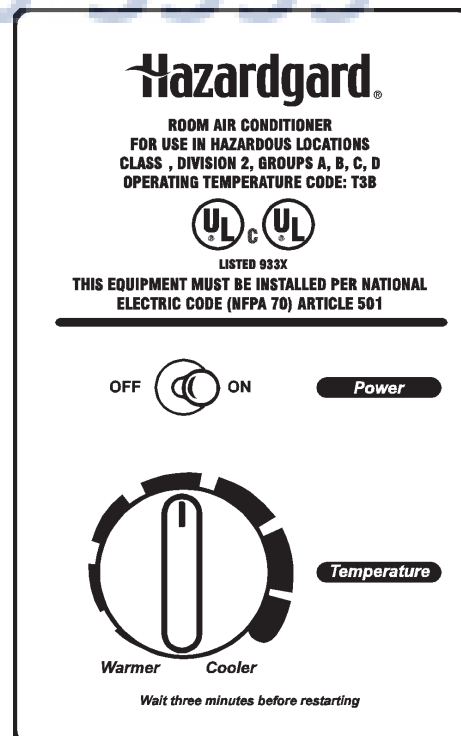
C'est un commutateur à bascule bipolaire unidirectionnel.

ON (MARCHE) - Met tout en marche.

OFF (ARRÊT) - Éteint tout.

### Commande De Température

Le bouton inférieur est le thermostat du type ambiant utilisé pour maintenir le niveau de confort désiré. Le thermostat réagit seulement à un changement de la température à proximité de l'ampoule. Tourner le bouton dans le sens des aiguilles d'une montre pour obtenir une température plus basse, et dans le sens inverse des aiguilles d'une montre pour une température plus élevée.



## Exclusivité

Friedrich est de nouveau un leader avec les premiers climatiseurs sur la liste UL conçus pour refroidir des habitations ou d'autres espaces enclos dans un environnement dangereux où il existe des liquides volatils ou des gaz inflammables ou utilisés avec des conteneurs ou des systèmes enclos.

Les climatiseurs Friedrich Hazardgard sont conçus pour être conformes au National Electrical Code américain, Article

500 pour environnement dangereux de la Class I, Division 2, Groups A, B, C, D CET APPAREIL EST SUR LA LISTE DES UNDERWRITERS LABORATORIES POUR UTILISATION DANS LES ENVIRONNEMENTS DANGEREUX DE LA CLASSE I, DIVISION 2, GROUPES A, B, C, D. Code de température d'utilisation : T3B.



# Instructions D'installation

## Modèles SH 15 et SH 20

**REMARQUE** - CE MANUEL COMPREND LES INSTRUCTIONS POUR INSTALLATION DANS UNE FENÊTRE OU À TRAVERS UN MUR.

## Alimentation Électrique

TOUTE INSTALLATION ÉLECTRIQUE DOIT ÊTRE CONFORME AUX NORMES NATIONALES ET LOCALES (AUX ÉTATS-UNIS AU NATIONAL ELECTRICAL CODE (ANSI/NFPA) ARTICLE 501).

LA PROTECTION DE CIRCUIT FOURNIE PAR L'UTILISATEUR (DISJONCTEUR HACR OU FUSIBLE TEMPORISÉ) NE DOIT PAS DÉPASSER LA CAPACITÉ INDIQUÉE SUR LA PLAQUE D'IDENTIFICATION DU PRODUIT.

**IMPORTANT** - Avant de commencer l'installation du climatiseur, consulter les codes électriques locaux et les renseignements ci-dessous.

Le climatiseur doit être branché sur une alimentation avec les mêmes caractéristiques (tension et fréquence) que celles indiquées sur la plaque sur le châssis. L'alimentation secteur doit être en courant alternatif. Ne pas utiliser du courant continu. Consulter le GUIDE D'UTILISATION pour déterminer le type de prise correcte pour ce modèle.

Un circuit surchargé est automatiquement la source de mauvais fonctionnement ou de panne du climatiseur. Il est donc particulièrement important de s'assurer que l'alimentation électrique est correcte. En cas de doute, consulter le distributeur ou la compagnie d'électricité.

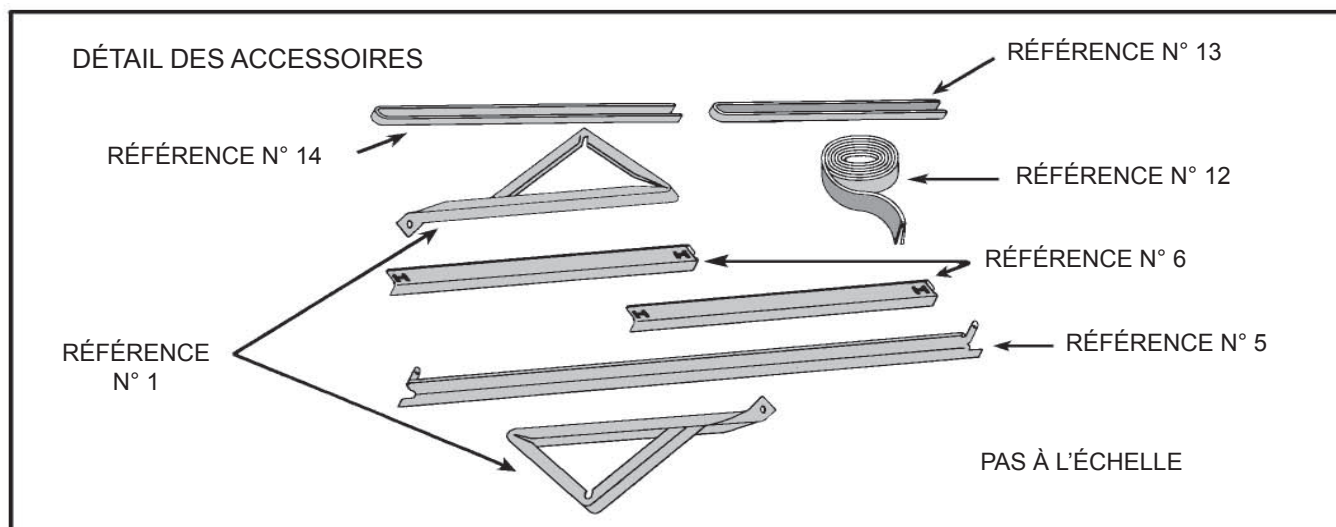
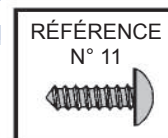
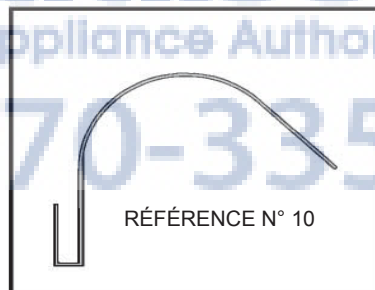
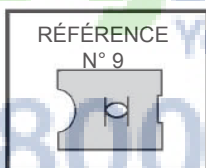
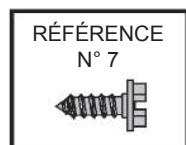
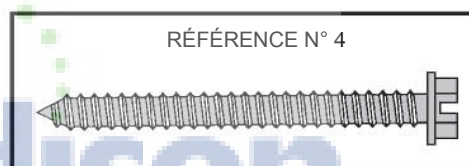
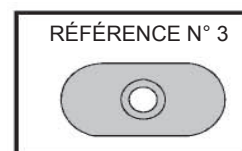
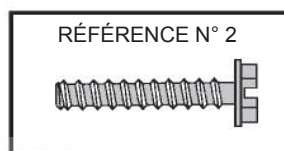
Les instructions suivantes s'appliquent aux modèles HAZARDGARD et aux tailles d'enveloppe données ci-dessous.

GROUPES	CABINET SIZE (H x W x D)
PETIT CHÂSSIS SH15	15 <sup>15</sup> / <sub>16</sub> " x 25 <sup>15</sup> / <sub>16</sub> " x 27 <sup>3</sup> / <sub>8</sub> " (405 mm x 660 mm x 695 mm)
CHÂSSIS MOYEN SH20	17 <sup>15</sup> / <sub>16</sub> " x 25 <sup>15</sup> / <sub>16</sub> " x 27 <sup>3</sup> / <sub>8</sub> " (455 mm x 660 mm x 695 mm)

Numéro de modèle	Type de fiche circuit, fusible	Capacité du temporisé
SH15	Boîtier de branchement	250V-15 Amp
SH20	Boîtier de branchement	250V-15 Amp

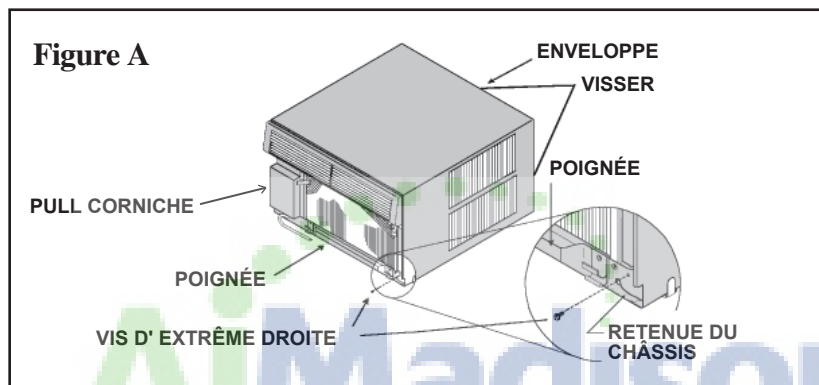
# Quincaillerie D'installation Dans Une Fenêtre Pour Le Climatiseur

N° DE RÉF.	DESCRIPTION	QUANT.
1	PIÈCES D'INSTALLATION DE L'ENVELOPPE	
2	PATTE DE SUPPORT	2
3	VIS À TÊTE 6 PANS 10-24 x 1"	4
4	ECROU PLAT 10-24	4
5	VIS POUR TÔLE N° 12A x 2"	7
5	INSTALLATION DES PANNEAUX LATÉRAUX	
6	PROFILÉ SUPÉRIEUR	1
7	PROFILÉ LATÉRAL	2
7	VIS POUR TÔLE, N° 8A x 3/8"	2
8	PIÈCES D'INSTALLATION DE PANNEAU LATÉRAL	
9	PANNEAU (MASONITE) - (PAS MONTRÉ)	1
10	ÉCROU CLIP	4
11	AGRAFE DE PROFILÉ (ACIER À RESSORT)	4
11	VIS À TÊTE BOMBÉE PHILLIPS, N° 8A x 1/2"	4
12	JOINT DE FENÊTRE	
13	JOINT D'ÉTANCHÉITÉ (VINYLE)	1
13	JOINT D'ÉTANCHÉITÉ DE FENÊTRE (MOUSSE FONCÉE)	1
14	JOINT D'ÉTANCHÉITÉ DE CHÂSSIS (MOUSSE CLAIRE)	1



## Déballage De L'appareil

- ÉTAPE 1** Enlever la grille décorative en plastique de retour d'air et la mettre de côté.
- ÉTAPE 2** Enlever de sous l'appareil la quincaillerie d'installation, les panneaux latéraux et deux joints (un pâle et un foncé) et les mettre de côté.
- ÉTAPE 3** Enlever la vis du dispositif de retenue du châssis sur l'extrême droite du plateau (consulter la Figure A) ; conserver la vis pour reposer le dispositif de retenue du châssis après l'installation. Aussi, enlever et jeter les deux vis de retenue et les manchons de plastique qui se trouvent à l'arrière de l'appareil.
- ÉTAPE 4** Alors qu'un assistant tient l'enveloppe, tirer sur la poignée à l'avant du plateau (consulter la Figure A) pour sortir le châssis de l'enveloppe. Enlever les blocs en mousse blanc utilisés pour retenir le compresseur pendant le transport. Inspecter le plateau et jeter les blocs de mousse qui se sont déplacés. Il ne faut pas enlever d'autre bloc de mousse.



## Branchement Du Châssis Et Préparation

### QUINCAILLERIE FOURNIE

1 Boîtier de branchement	N° de pièce Friedrich 613-893-00
2 Pattes d'installation	N° de pièce RACO Inc. 5324-0
2 Vis de patte	
2 Obturateurs de trou	
1 Vis de mise à la terre	
Couvercle du boîtier	N° de pièce Friedrich 613-892-00
Joint	N° de pièce RACO Inc. 5173-0
2 Vis	
1 Vis pour tôle	

- ÉTAPE 1** Enlever le boîtier de branchement, le couvercle et la vis la position d'expédition sous le moteur du ventilateur. Installer une patte d'installation de boîtier de branchement à la position supérieure gauche, en faisant face au boîtier de branchement.
- ÉTAPE 2** Enlever et jeter l'obturateur en plastique du raccord de conduit sur le panneau latéral du coffret de commande. Dénuder sur environ un demi-pouce (13 mm) les fils noirs seulement.
- ÉTAPE 3** Insérer tous les fils (2 noirs, 1 vert) dans le boîtier et installer le boîtier sur le raccord du conduit jusqu'à ce qu'il soit serré. Dévisser jusqu'à ce que le boîtier soit vertical avec la patte d'installation à la position supérieure droite, en faisant face à l'ouverture du boîtier. Vérifier que l'enveloppe passe entre ce boîtier et le châssis

## Préparation De L'enveloppe

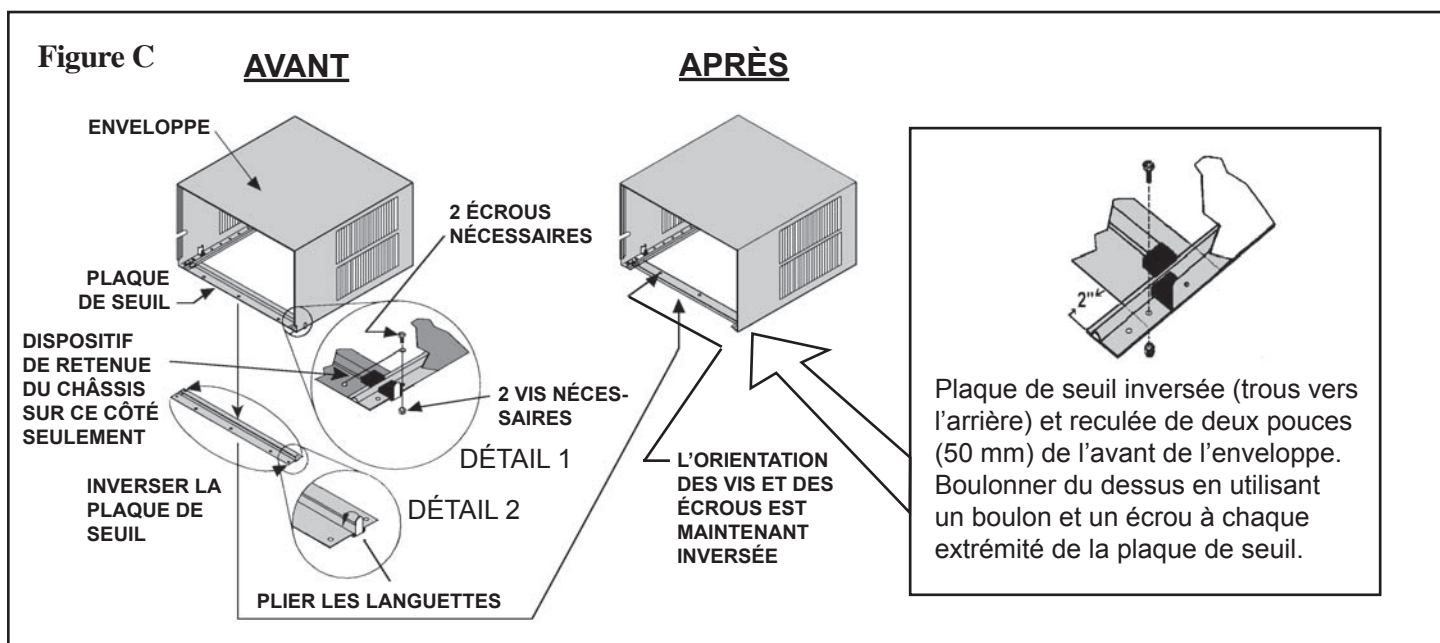
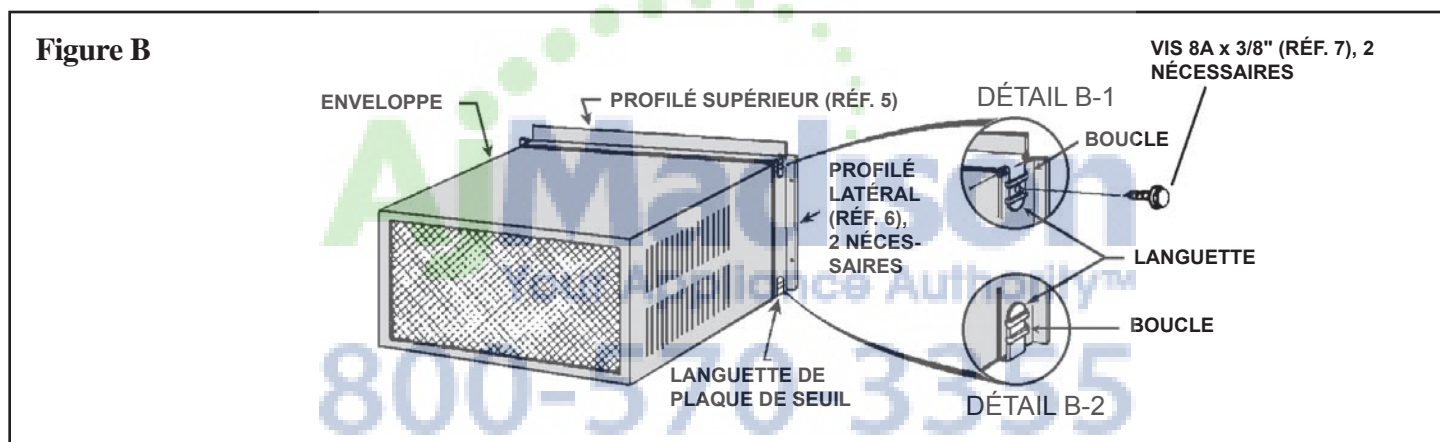
Il faut reculer la plaque du seuil de l'enveloppe de 2" (50 mm) de la position d'expédition et avancer de 4" (100 mm) les guides de l'enveloppe, jusqu'au trou le plus avancé du guide d'enveloppe. Jeter le fil de retenue du châssis débranché dans la Section II, Étape 3. La patte d'installation du boîtier de branchement, Section VI, Étape 1, et le conduit installé sur place retiennent le châssis dans l'enveloppe.

### Installation dans une fenêtre à guillotine

Avec le collet large et les trous pilotes de la plaque de seuil vers l'avant, mettre les boulons et écrous dans les trous arrière de la plaque de seuil et dans le troisième trou à partir de l'avant (le trou central des trois trous carrés). Ancrer les profilés latéraux (réf. 6) en engageant les languettes à chaque extrémité de la plaque de seuil dans la boucle inférieure du profilé latéral. Engager les languettes à chaque extrémité du profilé supérieur (réf. 5) dans les boucles de profilé latéral. Installer deux vis (réf. 7) dans les trous arrière des côtés de l'enveloppe pour maintenir les languettes de profilé et le profilé latéral (consulter la Figure B ci-dessous).

### Installation à travers un mur

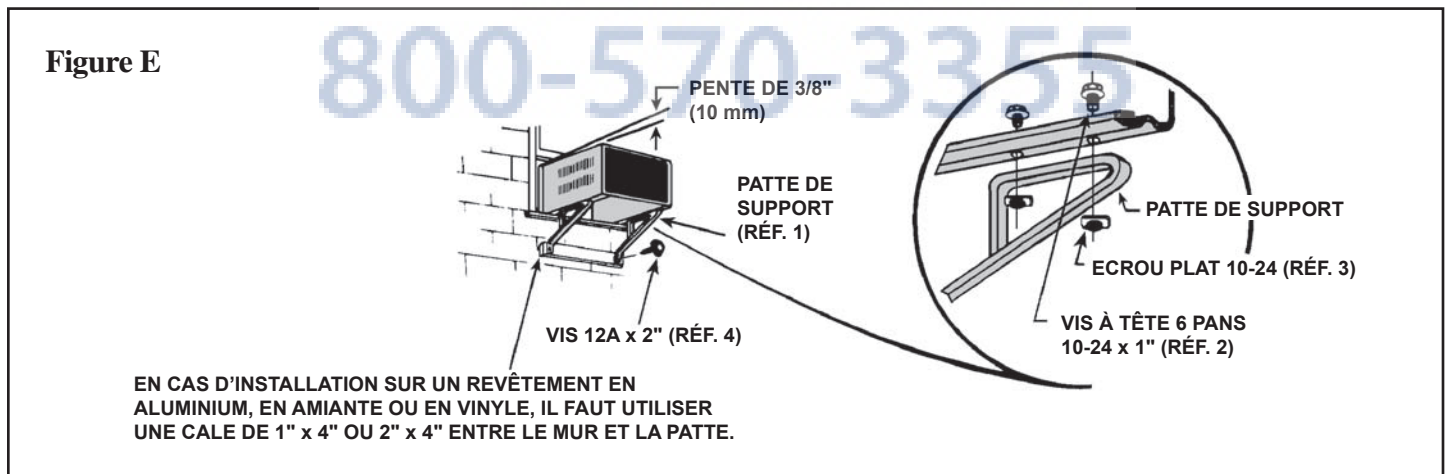
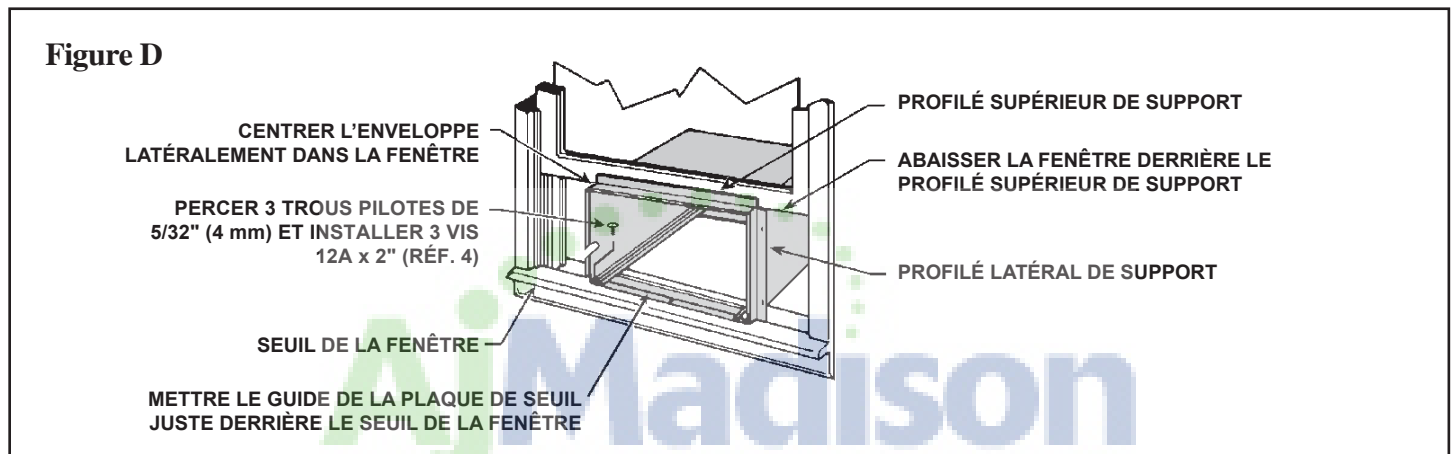
Inverser la plaque de seuil pour que le collet large avec les trous pilotes soit sur la plaque du mur (vers l'arrière) et à deux pouces (50 mm) de l'avant de l'enveloppe. Plier les languettes dans le profilé de la plaque de seuil, mettre les boulons et écrous dans les trous avant de la plaque de seuil et dans le second trou à partir de l'avant de l'enveloppe. Utiliser un boulon de chaque côté pour attacher la plaque de seuil sur l'enveloppe (consulter la Figure C ci-dessous).



# Installation De L'enveloppe: Installation Dans Une Fenêtre À Guillotine

**ÉTAPE 1** Vérifier que le seuil et le cadre de la fenêtre sont en bon état et fermement ancrés dans le mur. Réparer si nécessaire.

**ÉTAPE 2** INSTALLATION DE L'ENVELOPPE - Lever la portion inférieure de la fenêtre d'un quart de pouce (6 mm) au-dessus de la hauteur de l'enveloppe. Glisser avec soin l'enveloppe dans la fenêtre ouverte jusqu'à ce que le profilé de la plaque du seuil repose derrière le seuil de la fenêtre et que le profilé supérieur de support repose contre la fenêtre (consulter la Figure D). Centrer l'enveloppe latéralement et percer trois trous de 5/32" de diamètre dans le seuil de la fenêtre en utilisant comme guide les trous de la plaque de seuil de l'enveloppe. Installer trois vis n° 12A x 2" (réf. 4) (consulter la Figure D).



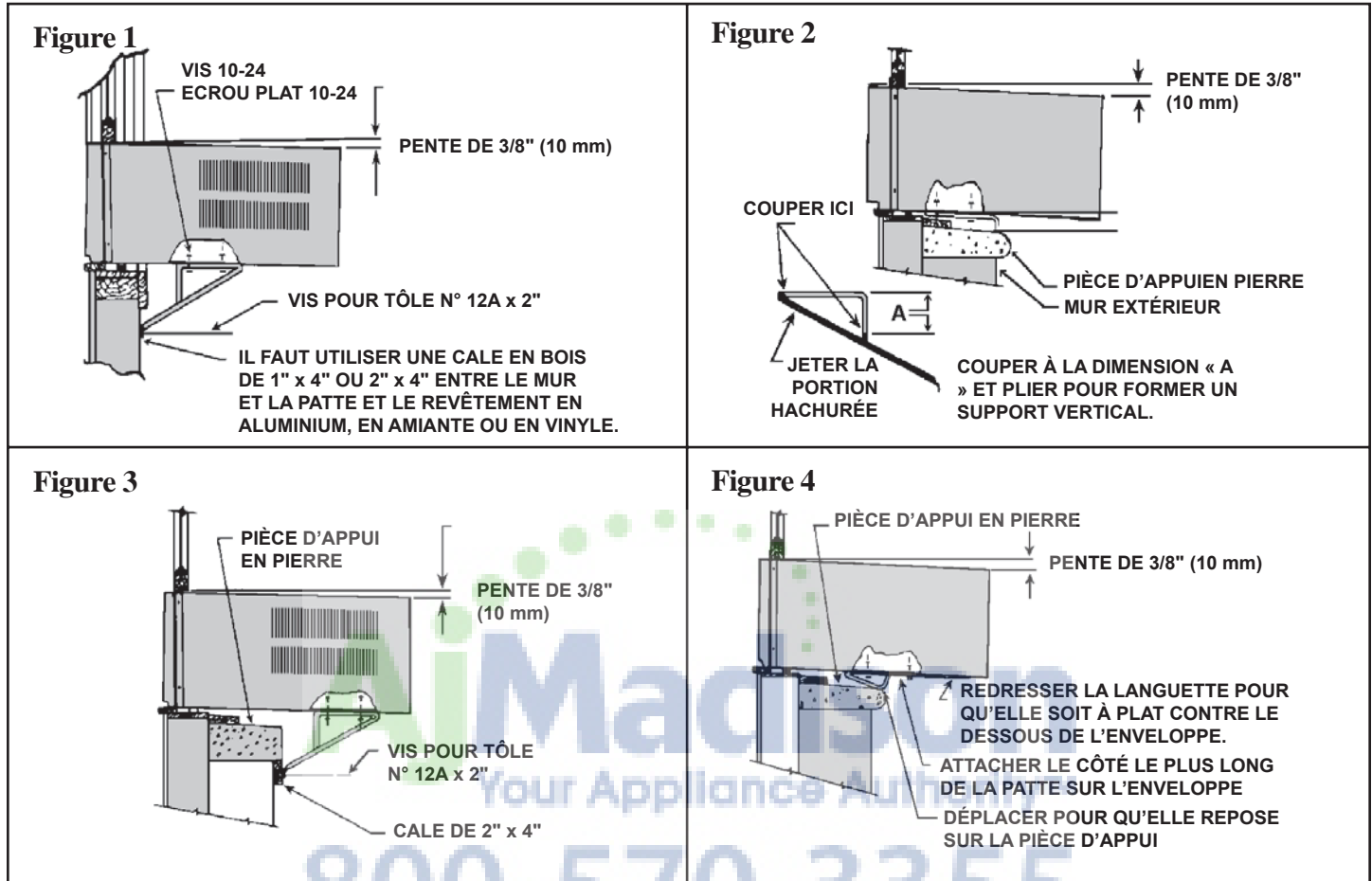
**ÉTAPE 3** INSTALLATION DU SUPPORT EXTÉRIEUR - Assembler les pattes de support (réf. 1) sur les profilés inférieurs de l'enveloppe, avec quatre vis de 10-24 x 1" (réf. 2) et quatre écrous 10-24 (réf. 3). Régler les pattes de support pour amener les patins inférieurs en contact avec la surface du mur (consulter la Figure E).

EN CAS D'INSTALLATION SUR UN REVÊTEMENT EN ALUMINIUM OU DE VINYLE, IL FAUT METTRE UNE CALE DE 1" x 4" ou 2" x 4" ENTRE LE MUR ET LES PATTES DE SUPPORT. Percer des trous pilotes de 5/32" (4 mm) de diamètre et maintenir en place les pattes sur le mur avec deux vis n° 12A x 2" (réf. 4). Régler les pattes de support pour fournir une pente de 3/8" (10 mm) vers l'extérieur pour l'écoulement. Serrer toutes les vis (consulter la Figure E).



Les illustrations ci-dessous montrent une installation standard avec un cadre, ainsi que certaines suggestions pour adapter une patte de support sur des murs épais et des pièces d'appui en pierres larges.

### Installation Typique De La Plaque De Seuil



**ÉTAPE 4** COUPE DES PANNEAUX LATÉRAUX - Mesurer et couper les panneaux latéraux dans la masonite fournie (réf. 8) afin de remplir les espaces entre les guides de fenêtre latéraux et les côtés de l'enveloppe.

REMARQUE - APRÈS AVOIR COUPÉ LES PANNEAUX ET AVANT DE PASSER À L'ÉTAPE 5, VÉRIFIER QU'ILS REMPLISSENT LES OUVERTURES AVE UN ESPACE D'ENVIRON 1/8" (3 mm).

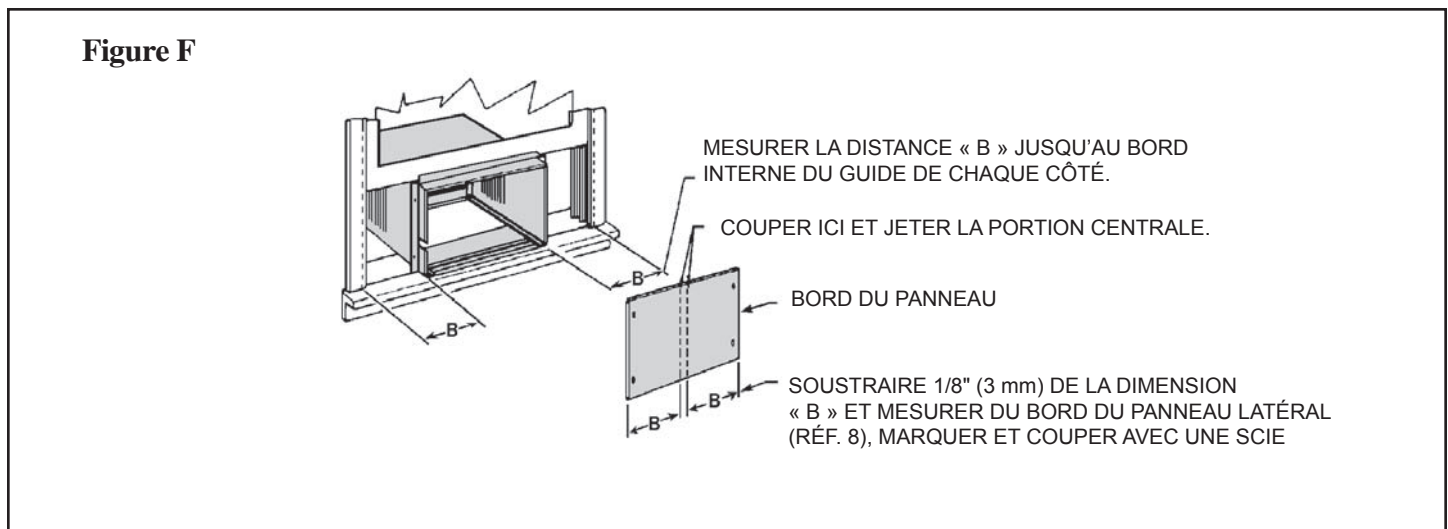
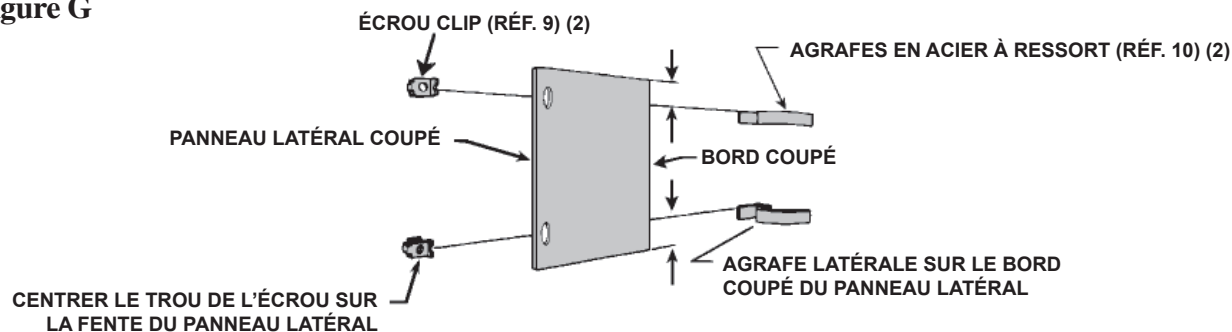
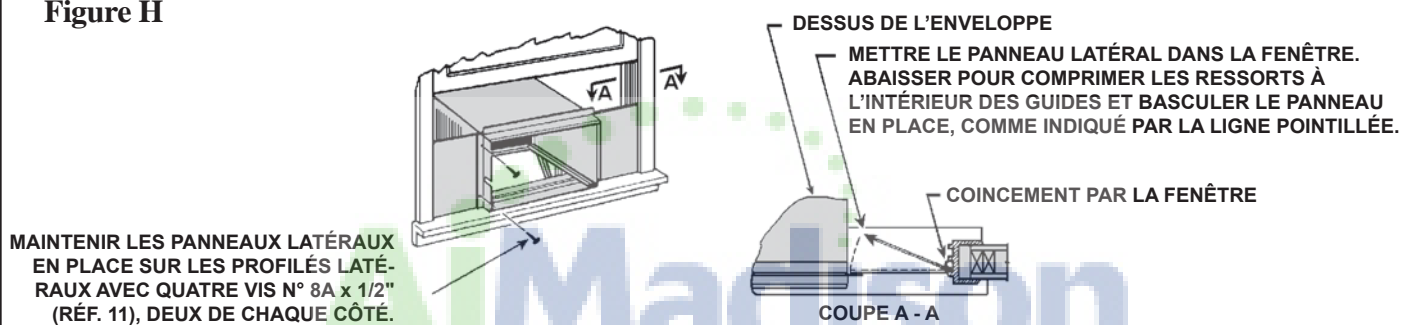


Figure G



**ÉTAPE 5** INSTALLATION DES AGRAFES SUR LES PANNEAUX LATÉRAUX - Installer les écrous clips (réf. 9) et les agrafes en acier à ressort (réf. 10) sur les bords coupés des panneaux latéraux (consulter la Figure G).

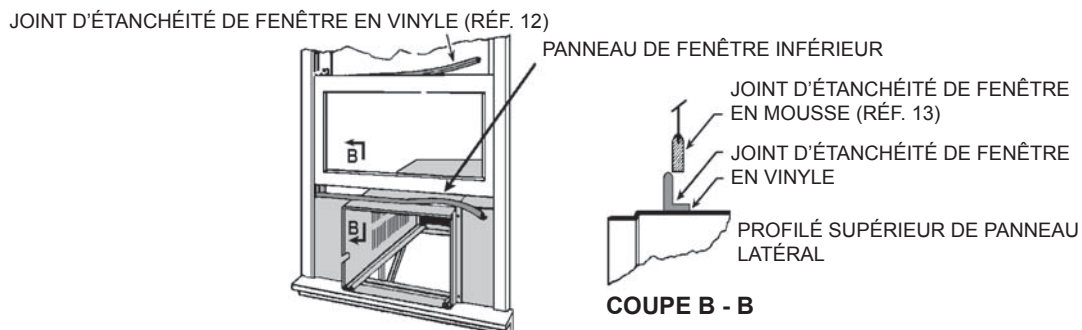
Figure H



**ÉTAPE 6** INSTALLATION DES PANNEAUX LATÉRAUX - Vérifier que l'enveloppe a été montée fermement sur le seuil de la fenêtre et que les pattes de support extérieur ont été installées comme montré sur les Figures D et E de la page 49. Soulever la fenêtre et installer le panneau latéral droit (consulter la Figure H).

**ÉTAPE 7** INSTALLATION DES JOINTS D'ÉTANCHÉITÉ DE LA FENÊTRE - Mesurer et couper à la largeur de la fenêtre le joint d'étanchéité de fenêtre en vinyle (gris, réf. 12) et l'installer comme montré sur la Figure I. Abaisser la fenêtre derrière le joint. Mesurer et couper le joint d'étanchéité de fenêtre en mousse (réf. 13) et l'installer entre le panneau supérieur de vitre et la partie supérieure de la fenêtre inférieure (consulter la Figure I).

Figure I



**REMARQUE** - POUR DES RAISONS DE SÉCURITÉ ET DE SÛRETÉ, LE CLIENT DOIT FOURNIR UN MOYEN D'EMPÊCHER L'OUVERTURE DE LA FENÊTRE DE L'EXTÉRIEUR.

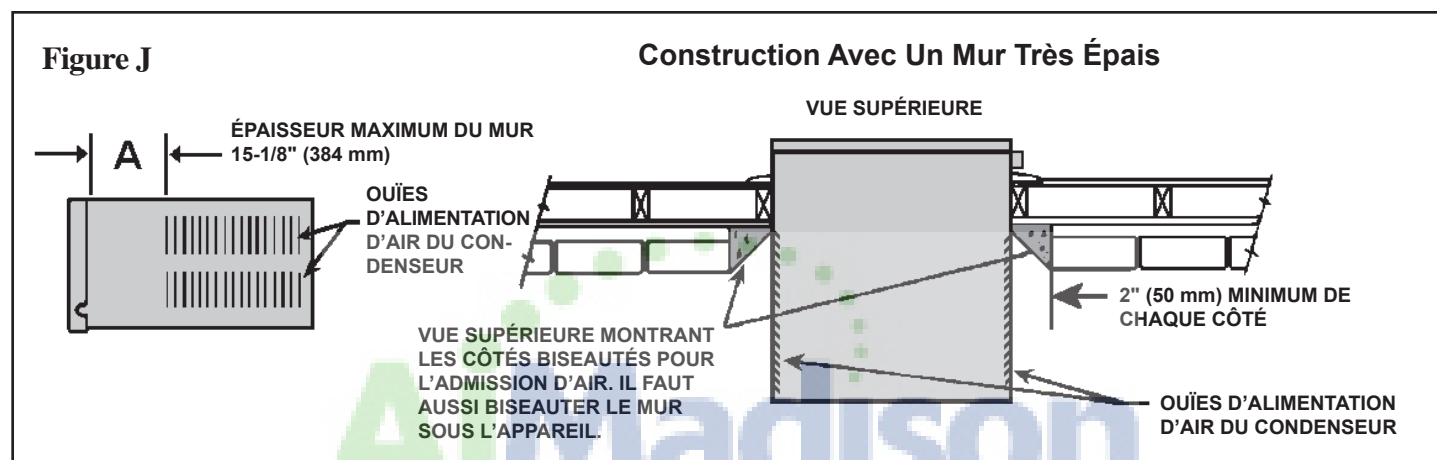
**ÉTAPE 8** Dans la mesure du possible, appliquer du mastic de type industriel à l'extérieur de l'installation pour éviter les fuites d'air.

# Installation De L'enveloppe: Installation À Travers Un Mur

## Préparation Du Mur

L'épaisseur maximum du mur sans construction spéciale est déterminée par la taille du modèle à installer. LES OUÏES DE L'ENVELOPPE POUR L'ALIMENTATION D'AIR DU CONDENSEUR NE DOIVENT PAS ÊTRE RECOUVERTES PAR LE MUR. Il faut respecter l'épaisseur maximale du mur montrée sur le tableau et le schéma de la Figure B.

INSTRUCTIONS SPÉCIALES POUR LES MURS TRÈS ÉPAIS - Pour installation dans les murs dont l'épaisseur est supérieure à celle montrée sur le tableau, il est possible de suivre la construction suggérée (consulter la Figure J).



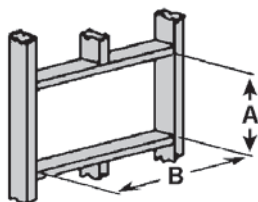
**ÉTAPE 1** VÉRIFICATION DU CABLAGE ET DE LA PLOMBERIE - Vérifier qu'il n'y a aucun fil ni tuyau à l'endroit de la coupe dans le mur.

**ÉTAPE 2** CONSTRUCTION DE L'OUVERTURE - Tracer l'ouverture pour les dimensions de l'appareil à installer, en suivant le tableau ci-dessous (consulter la Figure K). Couper et faire un cadre aux dimensions finies. Utiliser des montants de 2" x 4" et suivre les instructions d'installation typique suggérées dans les Figures L, M ou N, page 53.

**REMARQUE** - SI LA CONSTRUCTION DU MUR EST TYPIQUE, CADRE OU MONTANTS EN 2 x 4 AVEC PAREMENT DE BRIQUES OU DE PIERRE, METTRE L'OUVERTURE PRÈS D'UN MONTANT. POUR LES MURS EN MAÇONNERIE, EN BÉTON OU EN PARPAINGS, METTRE L'OUVERTURE OÙ C'EST PRATIQUE.

**Figure K**

### DIMENSIONS FINIES DE L'OUVERTURE



DIMENSIONS FINIES	SH 15 CHÂSSIS	SH 20 CHÂSSIS
A	16-3/16" (411 mm)	18-3/16" (462 mm)
B	26-3/16" (665 mm)	26-3/16" (665 mm)

REMARQUE - CE SONT LES DIMENSIONS FINIES DE L'OUVERTURE

Figure L

CONSTRUCTION AVEC  
UN CADRE EN BOIS

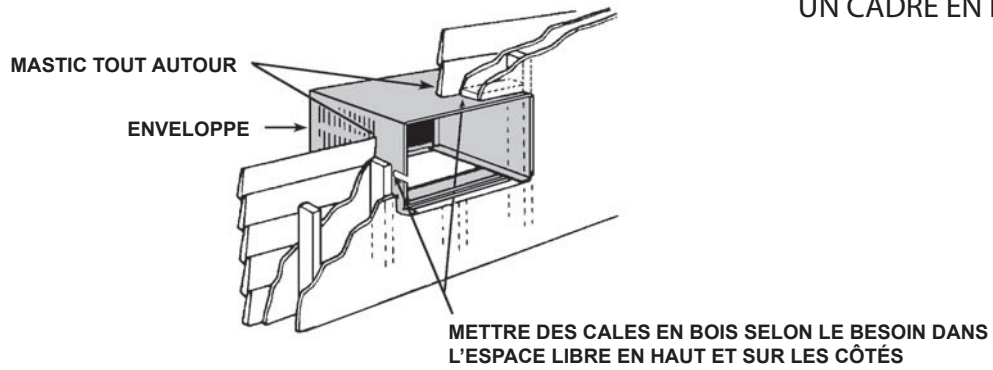


Figure M

CONSTRUCTION AVEC  
PAREMENT DE BRIQUE

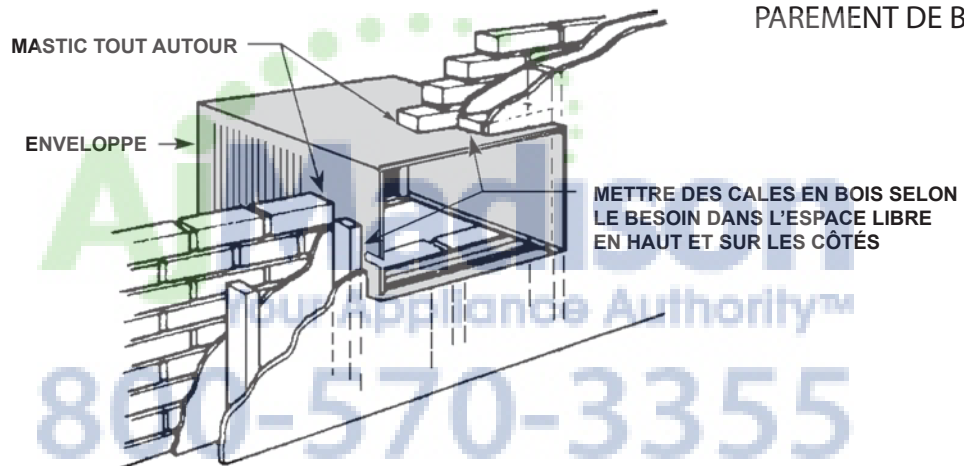
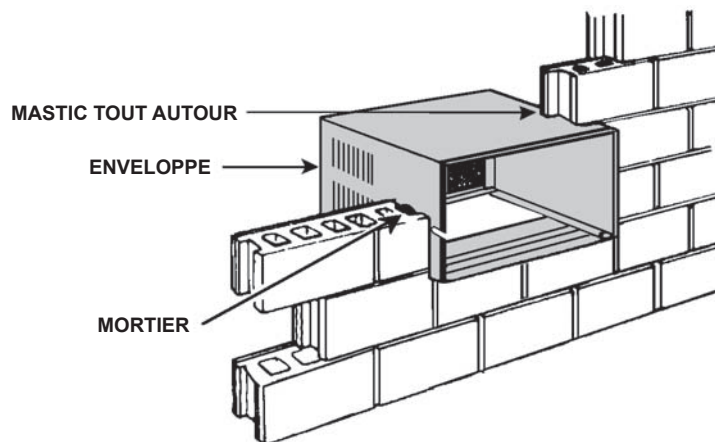


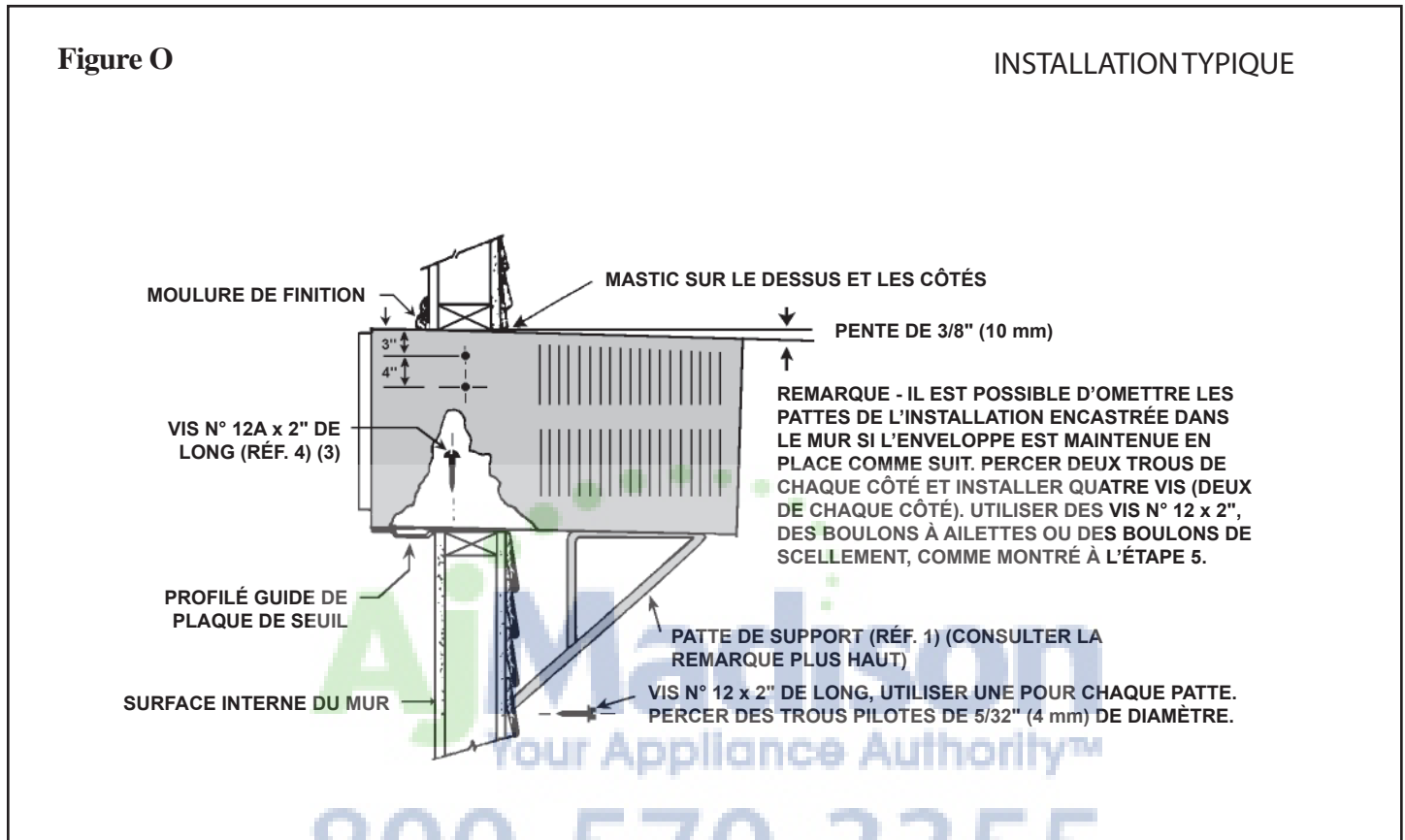
Figure N

CONSTRUCTION AVEC  
MURS EN MAÇONNERIE



**ÉTAPE 3** Faire glisser l'enveloppe dans l'ouverture, assez loin pour permettre au guide de la plaque de seuil de faire contact sur la surface interne du mur (consulter la Figure O).

**ÉTAPE 4** Percer trois trous pilotes de 5/32" (4 mm) de diamètre à travers les trous de la plaque de seuil et dans le cadre et installer trois vis n° 12 x 2" (consulter la Figure O).



**REMARQUE** - AUTRES TYPES DE VISSERIE QU'IL EST POSSIBLE D'UTILISER POUR INSTALLER LA PLAQUE DE SEUIL DANS LE MUR ET LES PATTES DE SUPPORT SUR LE MUR EXTÉRIEUR (PAS FOURNIS, MAIS DISPONIBLES DANS LES QUINCAILLERIES).



**BOULON À AILETTES**



**BOULON DE SCÈLEMENT**

**ÉTAPE 5** Percer deux trous pilotes de 5/32" (4 mm) de diamètre de chaque côté aux emplacements montrés (consulter la Figure O) et installer quatre vis n° 12 x 2" (réf. 4). Aucune patte de support n'est nécessaire tant que l'étape 5 (construction de l'ouverture) fournit un support robuste avec des montants verticaux solides. L'installation doit supporter le poids de l'appareil, plus un poids supplémentaire de 400 livres (185 kg) sur l'arrière de l'enveloppe. Il est possible d'utiliser des pattes de support pour une installation à travers le mur, comme montré sur la Figure O, pour obtenir du support supplémentaire.

**ÉTAPE 6** Si désiré, installer une moulure de finition autour de l'enveloppe, côté pièce, (consulter la Figure O).

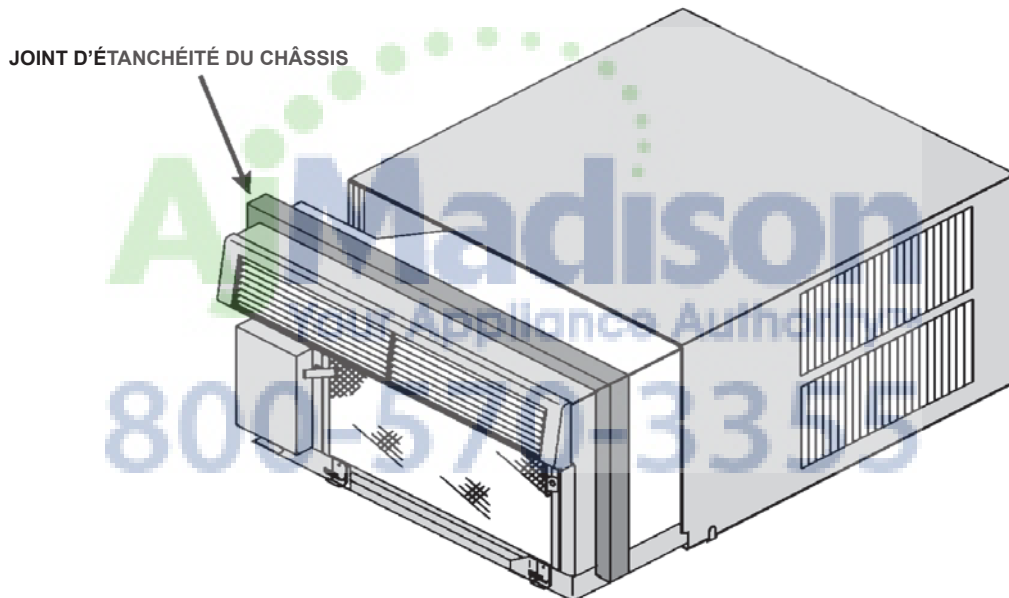
## Installation Du Châssis

**ÉTAPE 1** Glisser le châssis dans l'enveloppe jusqu'à environ 3 pouces (75 mm) du fond. Mettre le joint d'étanchéité du châssis (réf. 14) en place à un pouce (25 mm) entre le châssis et l'enveloppe (consulter la Figure P). Commencer dans un des coins, monter sur un côté, **traverser en haut** et descendre de l'autre côté. Vérifier que le joint est derrière le raccord du conduit (le plus loin). Enfoncer le châssis dans l'enveloppe jusqu'au fond pour que le panneau avant en plastique recouvre le bord avant de l'enveloppe. Avec les vis pour tôle, installer la patte du boîtier de branchement sur l'enveloppe.

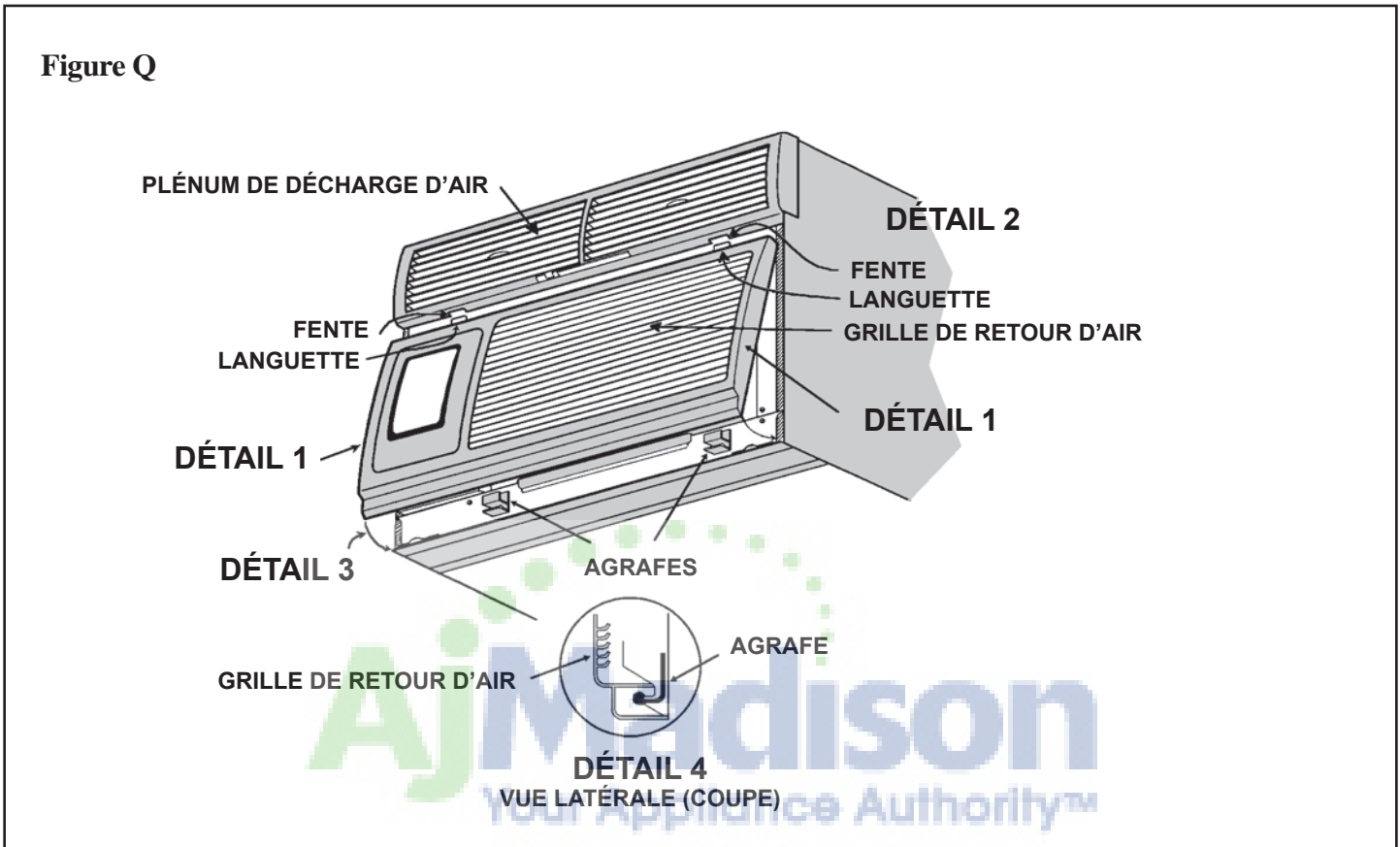
Si le joint d'étanchéité du châssis n'est pas installé, l'appareil ne fonctionnera pas comme il se doit. Le bruit dû au fonctionnement et les bruits provenant de l'extérieur seront également amplifiés.

**REMARQUE** - L'installation du circuit d'alimentation jusqu'au boîtier de branchement doit être conforme aux codes nationaux et locaux (aux États-Unis, NATIONAL ELECTRIC CODE NFPA70, 2008 ARTICLE 501). La mise à la terre doit être faite sur la vis verte du boîtier de branchement fourni. Utiliser les écrous borgnes pour fils (pas fournis) pour brancher les fils d'alimentation. Installer le joint et le couvercle sur le boîtier de branchement.

**Figure P**



**ÉTAPE 2** Vérifier que le filtre est en place et installer la grille de retour d'air (consulter la Figure Q). Appuyer le haut de la grille de retour d'air contre le bas du plénum de décharge. Enfoncer la grille en place en la poussant vers le haut dans les agrafes inférieures de l'appareil.



**ÉTAPE 3** L'installation est terminée. Faire une dernière inspection pour s'assurer que l'installation est correcte et ne présente pas de danger.



**F R I E D R I C H**

Friedrich Air Conditioning Company  
P.O. Box 1540  
San Antonio, TX 78295  
210.357.4400  
www.friedrich.com

## **GARANTIE LIMITE D'UN AN CLIMATISEURS HAZARDGARD FRIEDRICH**

**1. Garantie limitée d'un an.** Friedrich garantit qu'il remplacera, pendant un an à compter de la date d'achat initiale, toute pièce du climatiseur Hazardgard avec des défauts de matériau ou de fabrication.

**2. Garantie limitée d'un an.** La garantie de Friedrich couvre aussi les frais de main d'oeuvre pour réparer le compresseur, le condenseur, l'évaporateur ou les tubes de branchement jugés défectueux pendant la période de garantie, pourvu que l'appareil soit renvoyé à un centre de réparation agréé Friedrich dans le territoire continental des États-Unis.

**La garantie de Friedrich ne couvre pas (1) les frais de dépose, de transport ni de repose de l'appareil; (2) les frais de main d'oeuvre pour remplacer les pièces autres que celles décrites plus haut ; et (3) ne s'applique pas à un climatiseur Hazardgard qui a été soumis à (a) un accident, une mauvaise utilisation, des inondations, un incendie ou de la négligence ; (b) des réparations ou des modifications par des tiers autres qu'un distributeur ou centre de réparation Friedrich agréé et qui affecteraient négativement le fonctionnement ou la fiabilité; ou (c) à des réparations ou de l'entretien causés par l'utilisation de pièces pas vendues ni approuvées par Friedrich.**

**Cette garantie est une garantie LIMITÉE. Indépendamment de cette garantie, TOUTE GARANTIE SOUS-ENTENDUE D'APPLICATION POUR UN BUT PARTICULIER ET/OU DE VENDABILITÉ EST LIMITÉE À LA DURÉE DE LA GARANTIE EXPRESSE, LE FABRICANT SPÉCIFIQUEMENT DÉCLINE ET REFUSE TOUTE RESPONSABILITÉ POUR LES DOMMAGES INDIRECTS OU SECONDAIRES POUR INEXÉCUTION DE TOUTE GARANTIE EXPRESSE OU SOUS-ENTENDUE.**

(11-09)











**F R I E D R I C H**

Friedrich Air Conditioning Co.  
Post Office Box 1540 • San Antonio, Texas 78295-1540  
4200 N. Pan Am Expressway • San Antonio, Texas 78218-5212  
(210) 357-4400 • FAX (210) 357-4480  
[www.friedrich.com](http://www.friedrich.com)