

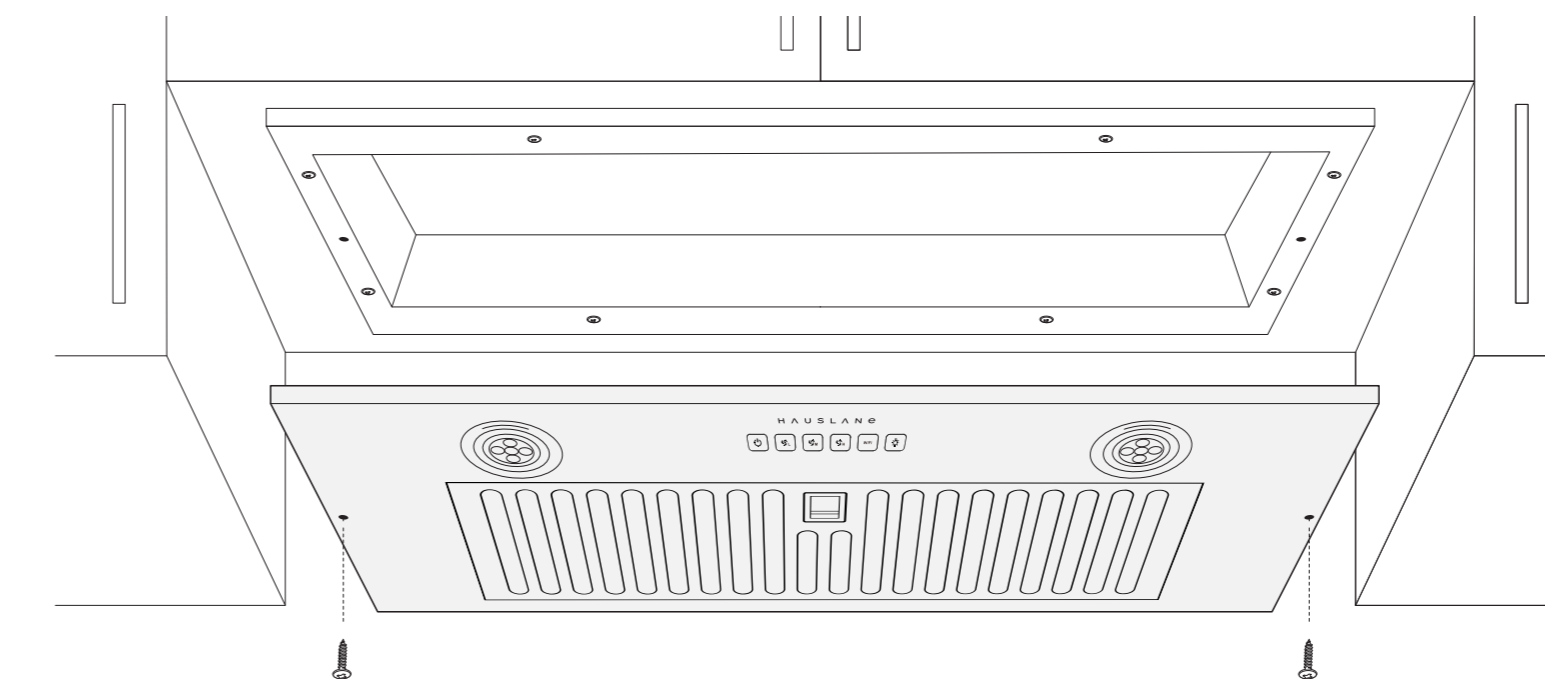
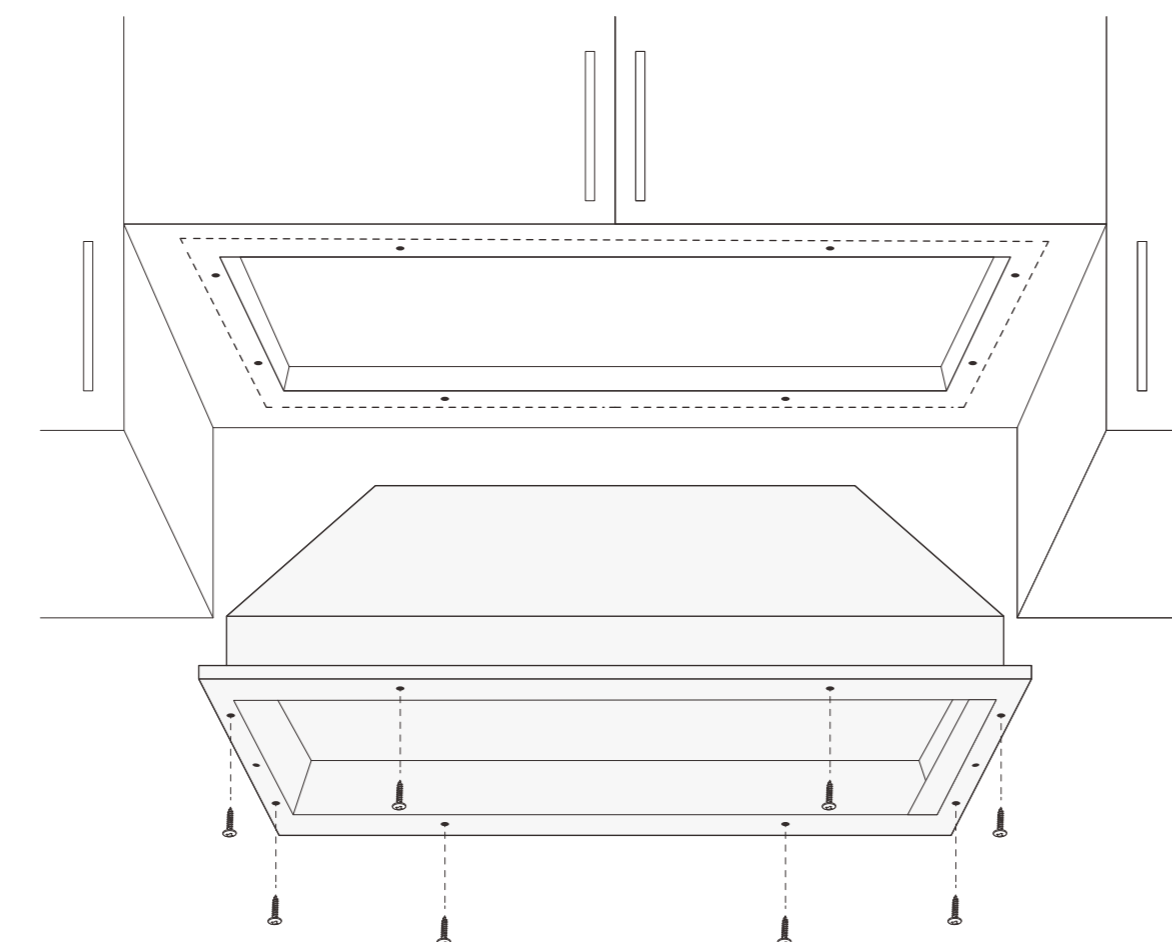
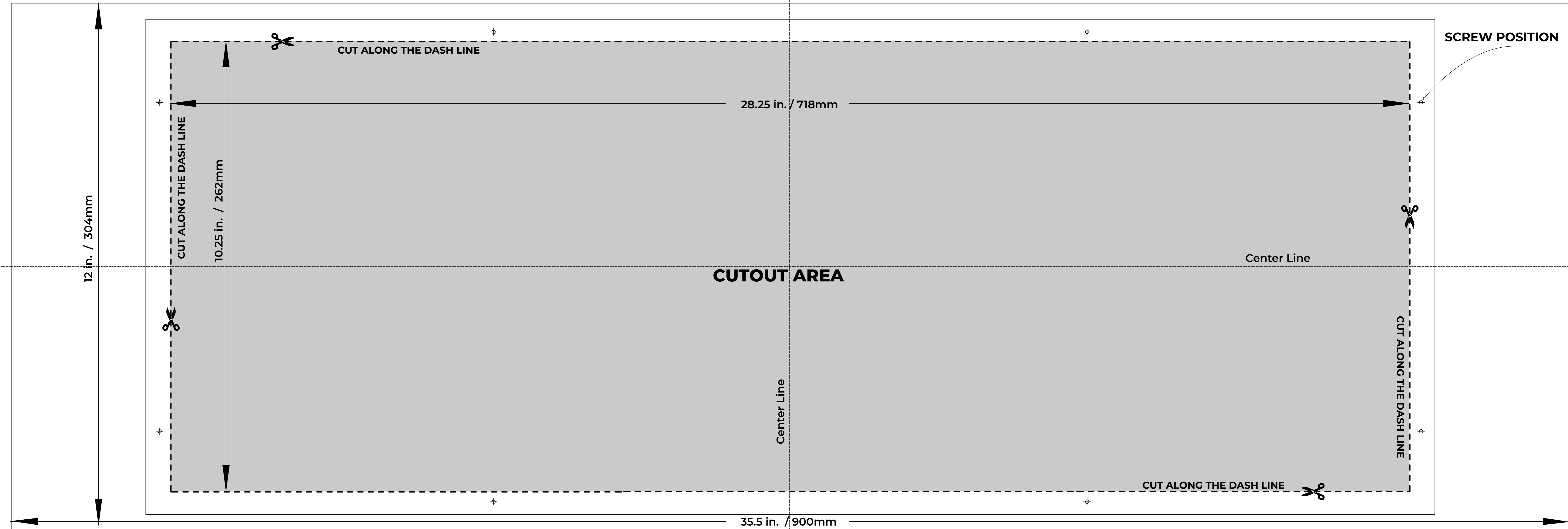
MOUNTING TEMPLATE
MODEL: IN-R110SS-30
BUILT-IN RANGE HOOD

FRONT
USE THIS SECTION UNDER THE CABINET

STEPS:

Note: This mounting template is designed for a 30 inch (762 mm) width hood with a 12 inch (304 mm) depth cabinet. If your cabinet is larger, please adjust accordingly.

1. From the bottom of the cabinet; find the center of the depth and width opening.
2. Mark a line across the full width and depth of these two centers.
3. Remove the cutout area from this mounting template.
4. Align the cabinet center lines to the center lines on the template.
5. Tape the template to the bottom of the cabinet.
6. Trace the cutout area.
7. Remove the template and cut the traced area from the cabinet.
8. Follow the care manual to prepare the hood for installation. This is in the "How to Install Your Range Hood" section of the User Manual.
9. Insert the hood from the bottom of the cabinet and secure it with the 6 screws (AA) from the bottom of the cabinet.



MOUNTING TEMPLATE
MODEL: IN-R110SS-36
BUILT-IN RANGE HOOD

FRONT
USE THIS SECTION UNDER THE CABINET

STEPS:

Note: This mounting template is designed for a 36 inch (914 mm) width hood with a 12 inch (304 mm) depth cabinet. If your cabinet is larger, please adjust accordingly.

1. From the bottom of the cabinet; find the center of the depth and width opening.
2. Mark a line across the full width and depth of these two centers.
3. Remove the cutout area from this mounting template.
4. Align the cabinet center lines to the center lines on the template.
5. Tape the template to the bottom of the cabinet.
6. Trace the cutout area.
7. Remove the template and cut the traced area from the cabinet.
8. Follow the care manual to prepare the hood for installation. This is in the "How to Install Your Range Hood" section of the User Manual.
9. Insert the hood from the bottom of the cabinet and secure it with the 6 screws (AA) from the bottom of the cabinet.

