

Product Features

- 1/2" NPT female inlets
- Install valve left or right

Required Accessories

Trim kit – many styles available

Optional Accessories

Grid drain without overflow

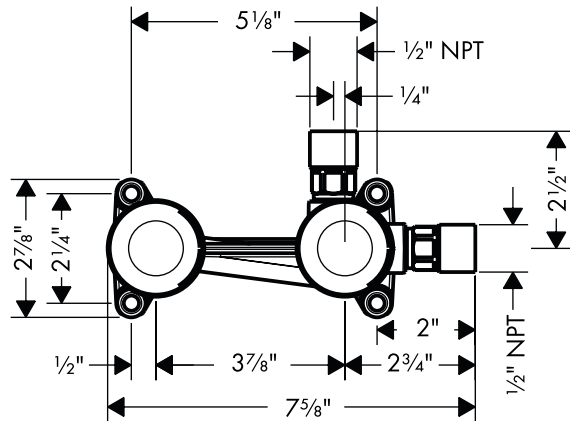
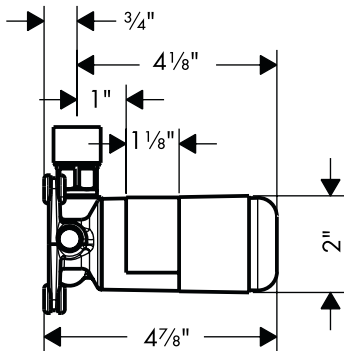
04267XX0

Grid drain with overflow

06400XX0

Extension (deep rough-in) kit

31971000



The measurements shown are for reference only.

Products and specifications shown are subject to change without notice.

Specification sheet revised 4/2010