

30" Convection Warming Drawer HWC800500

Warming Drawer Spec Sheet



HWC800500

Type	Convection Warming Drawer
Width	30"
Color Options	
30" Stainless Steel	HWC800500

Main Warming Drawer Features

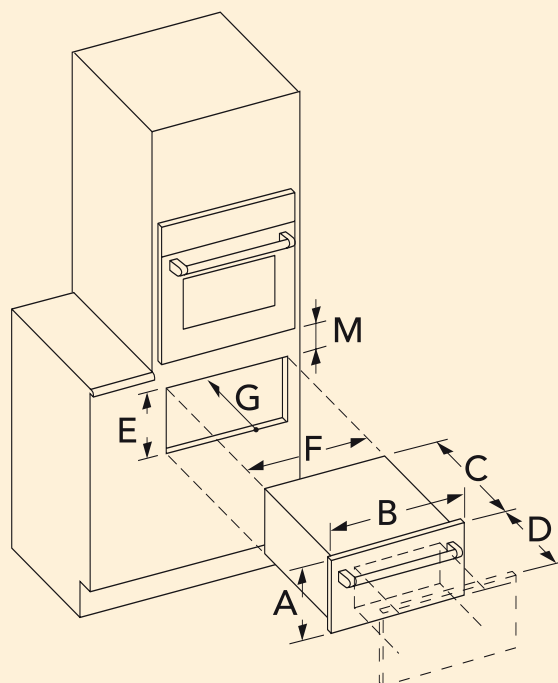
Warming Drawer Control	Touch Control
Display	Amber
Convection heating	400 watt
Glass Ceramic Heating Plate	600 watt
Power Levels	Low / Med / High
Proof	x
Timer	5 min. to 5 hours
Sabbath Mode	x
Ball Bearing Drawer Guides	x
Lower Side Walls	x
Cavity Size	2.0 cu.ft.
Amps	20
Power Supply	120 Volts, 60 Hz

Features & Benefits

- Convection for quick and even heat distribution
- Unique glass ceramic heating surface
- Easy Touch Control Operation
- Clear Amber Color Display
- Adjustable Timer (5 minutes to 5 hours) with Automatic Shut-off Function
- Leveled Sides for Easy Dish Access
- Removable front - Suitable for custom paneling

Dimensions

A	11 1/4"
B	29 3/4"
C	22 2/4"
D	22"
E	10"
F	28 1/2"
G	24"
M	1" minimum



Warming Drawers are UL approved. Notes: All height, width and depth dimensions are shown in inches. *Please refer to installation instructions prior to making cutout. BSH reserves the absolute and unrestricted right to change product materials and specifications, at any time, without notice. Consult the product's installation instructions for final dimensional data and other details. Applicable product warranty can be found in accompanying product literature or you may contact your account manager for further details.

For more information on our entire line of products, go to boschappliances.com or call 1-800-944-2904.

Copyright ©2007 BSH Home Appliances Corporation. All rights reserved. Bosch is a registered trademark of Robert Bosch GmbH.

6307-0254 Litho: 11/07