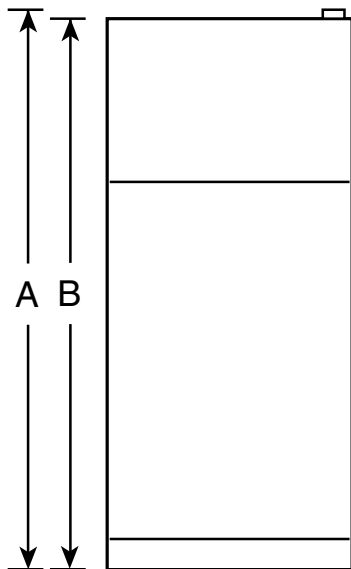


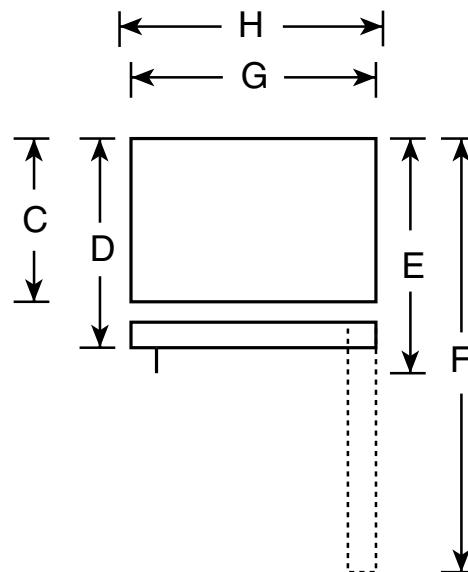
# HOTPOINT®

## HTS18BBP – Hotpoint 18.0 Cu. Ft. Top-Freezer Refrigerator

Front View



Top View



Overall Dimensions	Height to top of hinge (in.) <b>A</b>	<b>66-5/8</b>
	Height to top of case (in.) <b>B</b>	<b>66-1/8</b>
	Case depth without door (in.) <b>C</b>	<b>27-1/2</b>
	Case depth less door handle (in.) <b>D</b>	<b>30-1/4</b>
	Case depth with door handle (in.) <b>E</b>	<b>32-1/8</b>
	Depth with fresh food door open 90° (in.) <b>F</b>	<b>58-1/8</b>
	Width (in.) <b>G</b>	<b>29-1/2</b>
	Width with door open 90° with door handle (in.) <b>H</b>	<b>32</b>
Air Clearances	Each side (in.)	<b>1/8</b>
	Top (in.)	<b>1</b>
	Back (in.)	<b>1</b>

**Note:** Before installing, consult installation instructions packed with product for current dimensional data.

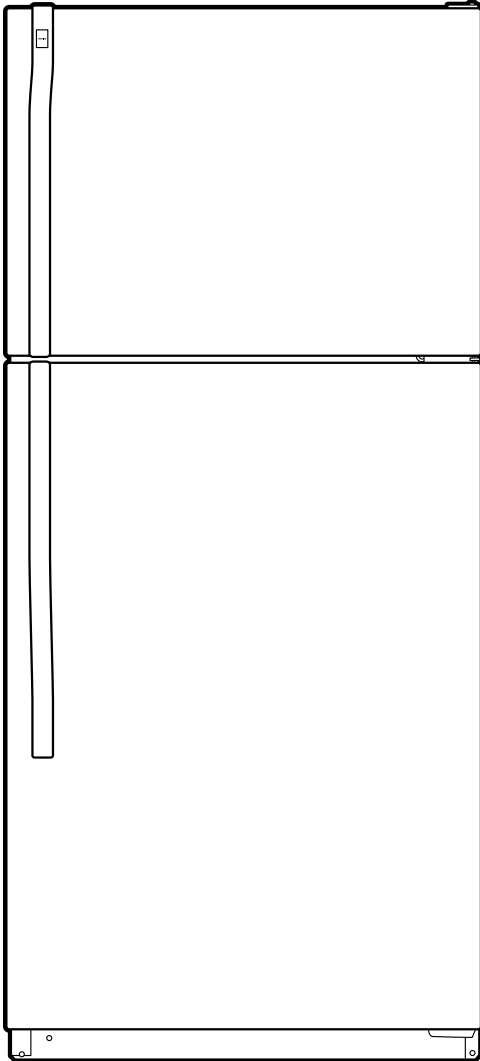
**Note: All Top-Freezer No-Frost Right-Hand Refrigerator Doors:** As you face the front of the refrigerator, the handle is on your left and the hinges are on your right.

**All Top-Freezer No-Frost Left-Hand Refrigerator Doors:** As you face the front of the refrigerator, the handle is on your right and the hinges are on your left.





## HTS18BBP – Hotpoint 18.0 Cu. Ft. Top-Freezer Refrigerator



### Features and Benefits

- Upfront Temperature Controls – Are positioned up front, close at hand, for maximum convenience and ease of use.
- Vegetable/Fruit Crisper – Provides the ideal storage environment for your fruits and vegetables.
- Gallon Door Storage – Makes room for milk and any other gallon size containers.
- Contoured Doors – Create a high-fashion look with gently rounded doors and edges.
- Deluxe Quiet Design – Significantly reduces operating noise.
- NeverClean™ Condenser – condenser coils are encased, so they don't require cleaning in normal operating environments.
- Model HTS18BBPWW – White on white
- Model HTS18BBPCC – Bisque on bisque