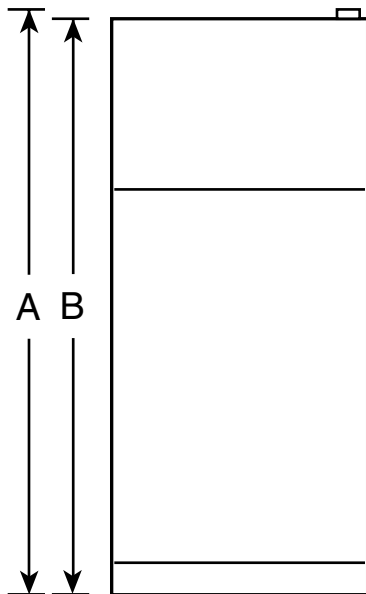


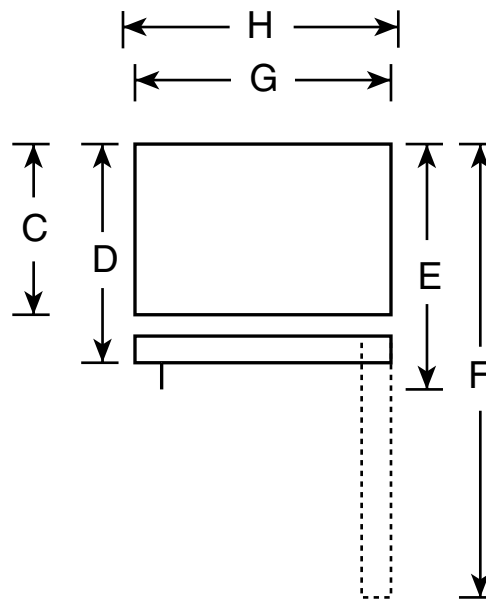
# HOTPOINT®

## HTH17CBT – Hotpoint® ENERGY STAR® 16.6 Cu. Ft. Top-Freezer Refrigerator

Front View



Top View



Overall Dimensions	Height to top of hinge (in.) <b>A</b>	<b>64-3/4</b>
	Height to top of case (in.) <b>B</b>	<b>64-1/4</b>
	Height to mid-freezer (in.)	<b>54-3/8</b>
	Case depth without door (in.) <b>C</b>	<b>25-7/8</b>
	Case depth less door handle (in.) <b>D</b>	<b>29-1/8</b>
	Case depth with door handle (in.) <b>E</b>	<b>31</b>
	Depth with fresh food door open 90° (in.) <b>F</b>	<b>54-7/8</b>
	Width (in.) <b>G</b>	<b>28</b>
Air Clearances	Width with door open 90° with door handle (in.) <b>H</b>	<b>30-1/2</b>
	Each side (in.)	<b>3/4</b>
	Top (in.)	<b>1</b>
	Back (in.)	<b>1</b>

**Note:** Before installing, consult installation instructions packed with product for current dimensional data.

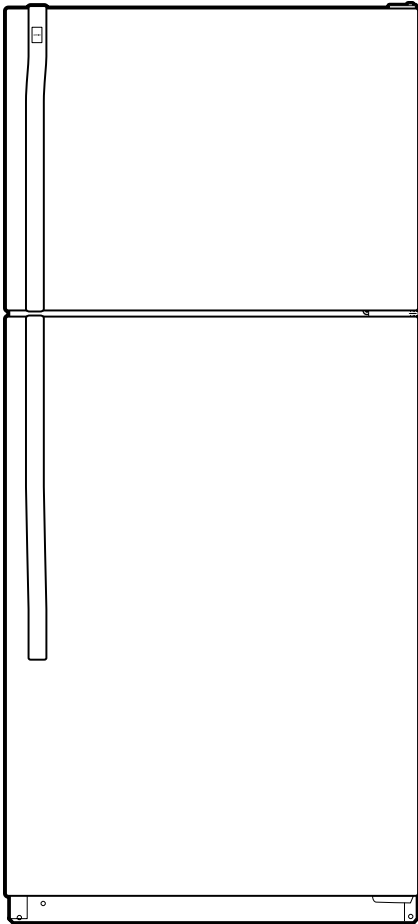
**Note: All Top-Freezer No-Frost Right-Hand Refrigerator Doors:** As you face the front of the refrigerator, the handle is on your left and the hinges are on your right.

**All Top-Freezer No-Frost Left-Hand Refrigerator Doors:** As you face the front of the refrigerator, the handle is on your right and the hinges are on your left.





## HTH17CBT – Hotpoint® ENERGY STAR® 16.6 Cu. Ft. Top-Freezer Refrigerator



### Features and Benefits

- Upfront temperature controls - Easy-to-use controls are located in an easy-to-reach position
- Adjustable wire shelves - Flexible shelving options can be arranged to handle a variety of foods
- Fixed gallon door shelves - Provides the ideal space for storing gallon containers in the door
- Crisper drawers - Provides the ideal environment for storing your fruits and vegetables
- Deluxe quiet design - Designed to reduce unnecessary sounds in the kitchen
- NeverClean™ condenser - Encased coils take the dirty work out of maintaining your refrigerator
- Model HTH17CBTWW – White
- Model HTH17CBTBB – Black
- Model HTJ17CBTSA – Metallic Silver

