

30" Steam Convection Combination Oven

Benchmark™ Series - Stainless Steel HSLP751UC



HSLP751UC
Stainless Steel

The steam convection combination oven allows for healthier results and features an oven with a SmoothClose door.

Features & Benefits

The steam oven cooks meats, vegetables, rice and fish to perfection.

Dampened hinges softly and quietly guide the SmoothClose door shut.

The color TFT control panel with SteelTouch™ buttons is easy to use.

A full-extension telescopic rack offers safe access to the oven cavity.

The wall oven is designed to be installed flush with cabinetry.



*Wall oven only

General Properties

Cooking Modes - Upper Cavity Steam, Steam Convection, European Convection, Reheat, Keep Warm, Defrost, Slow Cook, Proof, Dish Warming, 2 Chicken and 7 Vegetable Programs

Cooking Modes - Lower Cavity Bake, Variable Broil (hi & low), Roast, Warm, Sabbath, Proof Dough, Convection Bake, Convection Broil, Convection Roast, Pizza, Multi Rack Genuine European Convection, Convection Conversion, AutoProbe, Fast Preheat, EcoChef, Speed Convection (Frozen Foods)

Cleaning Type - Upper Cavity N/A

Cleaning Type - Lower Cavity Self Clean

Telescopic Rack 1

Illumination Type - Upper Cavity Halogen

Illumination Type - Lower Cavity Halogen

Interior Lights - Upper Cavity 1

Interior Lights - Lower Cavity 2

Oven Performance

Convection Element Wattages - Upper Cavity 1,960 W

Bake / Broil Element Wattages - Lower Cavity 2,400 / 3,800 W

Convection Element Wattages - Lower Cavity 2,000 W

Technical Details

Watts (W) 8,325 W

Circuit Breaker (A) 40 A

Volts (V) 240/208 V

Frequency (Hz) 60 Hz

Power Cord Length (in) 50"

Plug Type Fixed Connection, No Plug

Energy Source Electric

Dimensions & Weight

Overall Appliance Dimensions (HxWxD)(in) 49" x 29 3/4" x 23 1/2"

Required Cutout Size (HxWxD) (in) 48 5/8" x 28 1/2" x 23 1/2"

Net Weight (lbs) 219 lbs

Accessories—Included

Included Upper Oven: Wire rack, Perforated Cooking Pan - Full Size, Baking Tray, Perforated Cooking Pan - Half Size, Cooking Pan - Half Size. Lower Oven: 3 x Oven Racks, Temperature Probe, Broiler Pan

Accessories—Optional



HEZ36D453
Cooking pan - full size, 1 5/8" deep [not included with product]



HEZ36D452
Baking tray - full size, 1 1/8" deep



HEZ36DR4
Wire rack for steam and convection oven



HEZ36D453G
Perforated cooking pan - full size, 1 5/8" deep



HEZ36D153G
Perforated cooking pan - half size, 1 5/8" deep



HEZ36D153
Cooking pan - half size, 1 5/8" deep

For help and assistance with Bosch accessories please visit: www.bosch-eshop.com/eshop/bosch/us or call 1-800-944-2904 Mon-Fri 5am to 6pm PST Sat 6am to 3pm PST

Notes: All height, width and depth dimensions are shown in inches. Please refer to installation instructions prior to making cutout. BSH reserves the absolute and unrestricted right to change product materials and specifications, at any time, without notice. Consult the product's installation instructions for final dimensional data and other details. Applicable product warranty can be found in accompanying product literature or you may contact your account manager for further details.

Warranties: Bosch warrants that the Product is free from defects in materials and workmanship for a period of three hundred and sixty-five (365) days from the date of purchase. The foregoing timeline begins to run upon the date of purchase, and shall not be stalled, tolled, extended, or suspended, for any reason whatsoever. This Product is also warranted to be free from cosmetic defects in material and workmanship (such as scratches of stainless steel, paint/porcelain blemishes, chip, dents, or other damage to the finish of the Product, for a period of thirty (30) days from the date of purchase or closing date for new construction. This cosmetic warranty excludes slight color variations due to inherent differences in painted and porcelain parts, as well as differences caused by kitchen lighting, product location, or other similar factors. This cosmetic warranty specifically excludes any display, floor, "As Is", or "B" stock appliances.

For more information on our entire line of products, go to www.bosch-home.com/us or call 1-800-944-2904

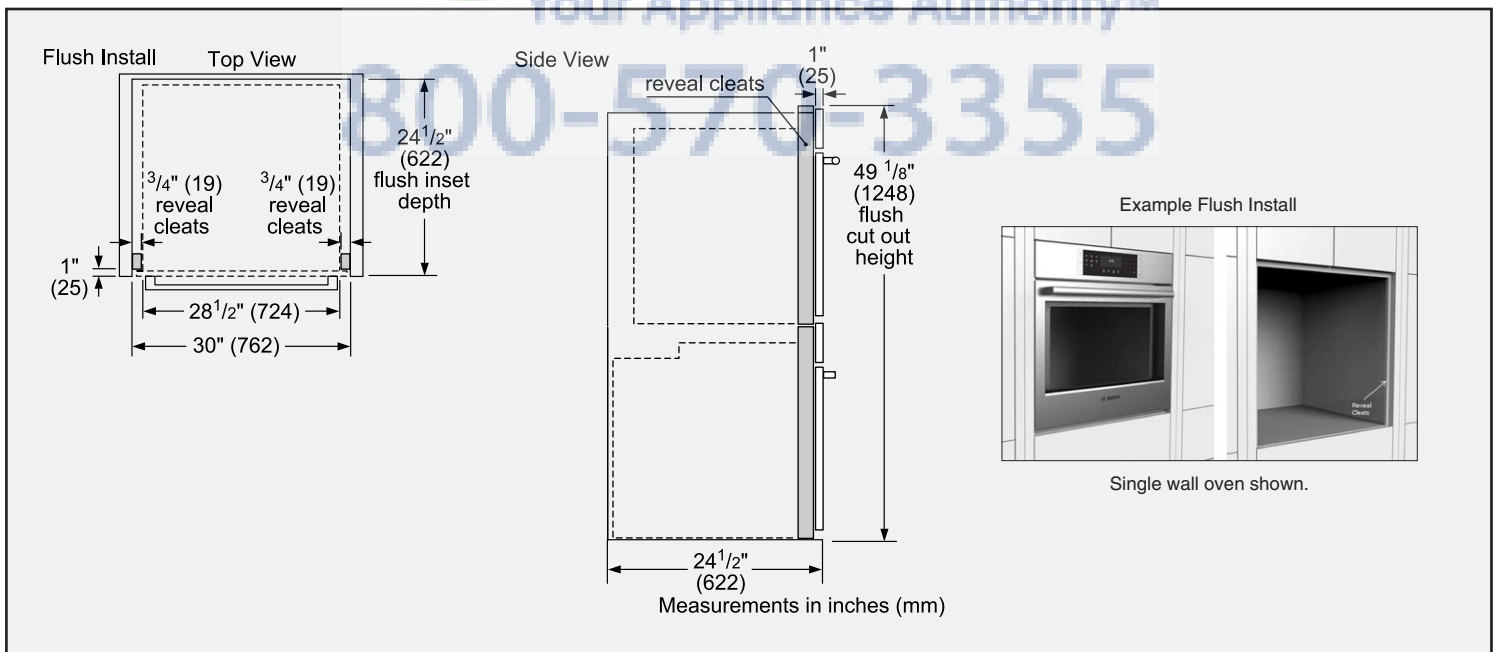
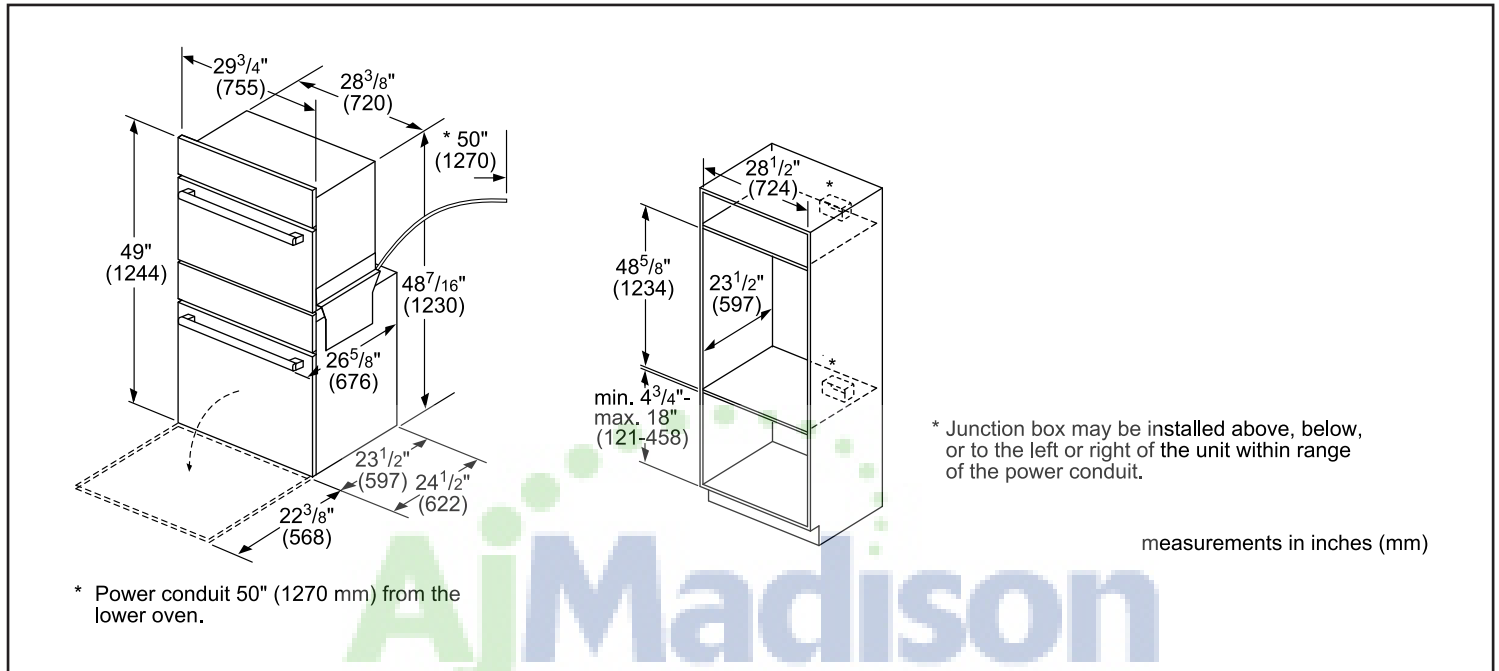
© BSH Home Appliances Corporation. All rights reserved. Bosch is a registered trademark of Robert Bosch GmbH.

30" Steam Convection Combination Oven

Benchmark™ Series - Stainless Steel HSLP751UC



Installation Details



For help and assistance with Bosch accessories please visit: www.bosch-eshop.com/eshop/bosch/us or call 1-800-944-2904 Mon-Fri 5am to 6pm PST Sat 6am to 3pm PST

Notes: All height, width and depth dimensions are shown in inches. Please refer to installation instructions prior to making cutout. BSH reserves the absolute and unrestricted right to change product materials and specifications, at any time, without notice. Consult the product's installation instructions for final dimensional data and other details. Applicable product warranty can be found in accompanying product literature or you may contact your account manager for further details.

Warranties: Bosch warrants that the Product is free from defects in materials and workmanship for a period of three hundred and sixty-five (365) days from the date of purchase. The foregoing timeline begins to run upon the date of purchase, and shall not be stalled, tolled, extended, or suspended, for any reason whatsoever. This Product is also warranted to be free from cosmetic defects in material and workmanship (such as scratches of stainless steel, paint/porcelain blemishes, chip, dents, or other damage to the finish of the Product, for a period of thirty (30) days from the date of purchase or closing date for new construction. This cosmetic warranty excludes slight color variations due to inherent differences in painted and porcelain parts, as well as differences caused by kitchen lighting, product location, or other similar factors. This cosmetic warranty specifically excludes any display, floor, "As Is", or "B" stock appliances.

For more information on our entire line of products, go to www.bosch-home.com/us or call 1-800-944-2904

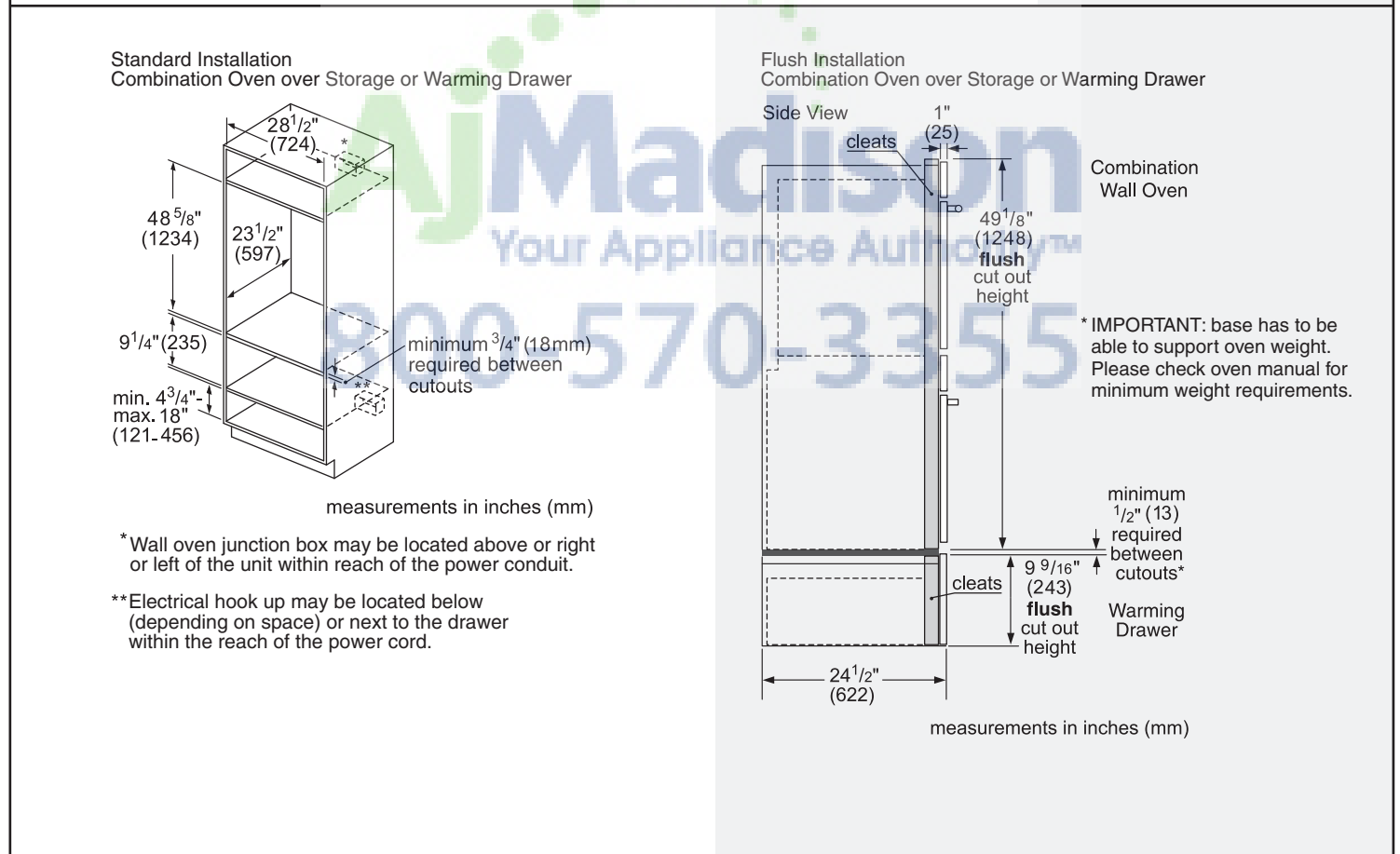
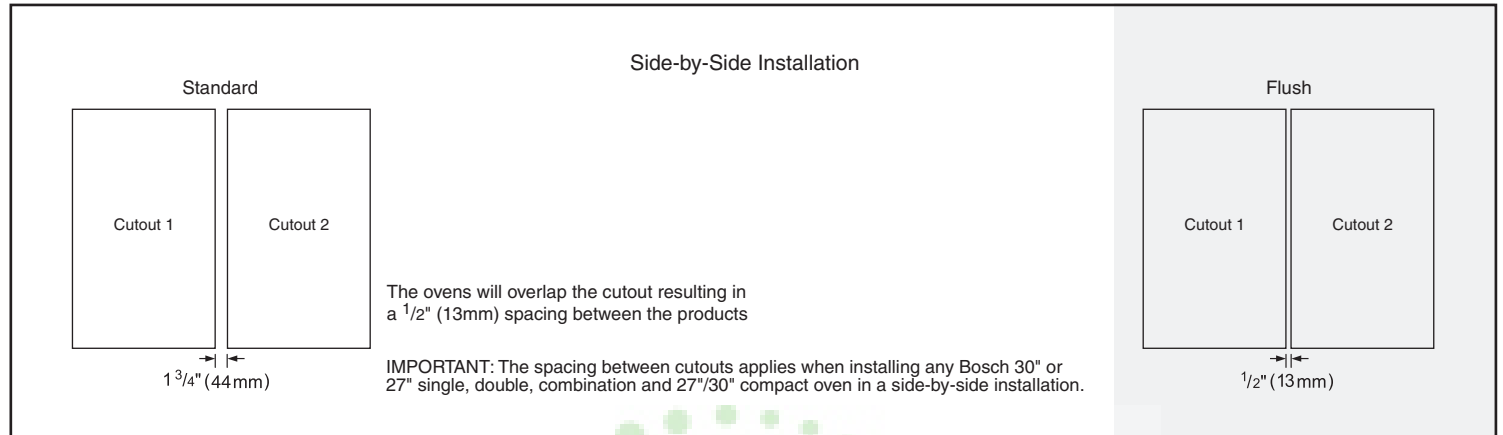
© BSH Home Appliances Corporation. All rights reserved. Bosch is a registered trademark of Robert Bosch GmbH.

30" Steam Convection Combination Oven

Benchmark™ Series - Stainless Steel HSLP751UC



Installation Details



For help and assistance with Bosch accessories please visit: www.bosch-eshop.com/eshop/bosch/us or call 1-800-944-2904 Mon-Fri 5am to 6pm PST Sat 6am to 3pm PST

Notes: All height, width and depth dimensions are shown in inches. Please refer to installation instructions prior to making cutout. BSH reserves the absolute and unrestricted right to change product materials and specifications, at any time, without notice. Consult the product's installation instructions for final dimensional data and other details. Applicable product warranty can be found in accompanying product literature or you may contact your account manager for further details.

Warranties: Bosch warrants that the Product is free from defects in materials and workmanship for a period of three hundred and sixty-five (365) days from the date of purchase. The foregoing timeline begins to run upon the date of purchase, and shall not be stalled, tolled, extended, or suspended, for any reason whatsoever. This Product is also warranted to be free from cosmetic defects in material and workmanship (such as scratches of stainless steel, paint/porcelain blemishes, chip, dents, or other damage to the finish of the Product, for a period of thirty (30) days from the date of purchase or closing date for new construction. This cosmetic warranty excludes slight color variations due to inherent differences in painted and porcelain parts, as well as differences caused by kitchen lighting, product location, or other similar factors. This cosmetic warranty specifically excludes any display, floor, "As Is", or "B" stock appliances.

For more information on our entire line of products, go to www.bosch-home.com/us or call 1-800-944-2904

© BSH Home Appliances Corporation. All rights reserved. Bosch is a registered trademark of Robert Bosch GmbH.