

## 24" FULLY INTEGRATED REFRIGERATOR – HRB 1110

Premium Plus No Frost with BioFresh



### CAPACITY

Refrigerator comp. 7.6 cu. ft.

BioFresh comp. 3.2 cu. ft.

### OUTSIDE DIMENSION

Inches H/W/D:  
69 21/32" X 21-15/16" x 21-7/32"

Centimeters H/W/D:  
177 X 55.7 x 53.9

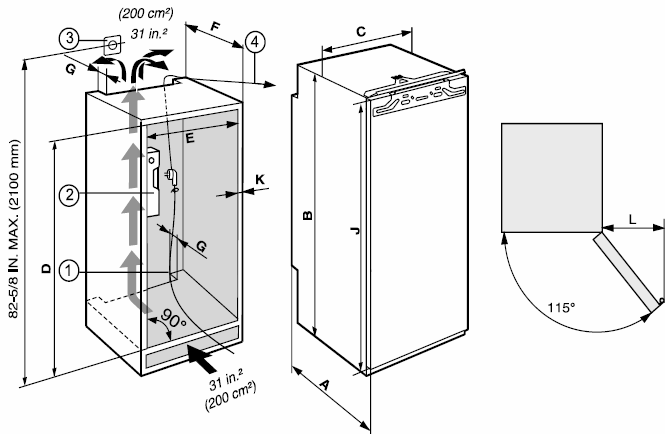


In custom kitchens, integrated appliances are the most stylish option available – they're totally out of sight. Fully integrated appliances fit harmoniously into a kitchen's design; yet there is no indication of what lies within.

**LIEBHERR**  
A delight in freshness

**THIS IS JUST A QUICK REFERENCE GUIDE, FOR COMPLETE INSTRUCTIONS, PLEASE REFER TO THE DESIGN GUIDE OR VISIT [http://www.liebherr-appliances.com/resource\\_center/index.html](http://www.liebherr-appliances.com/resource_center/index.html)**

**Unit Dimensions**



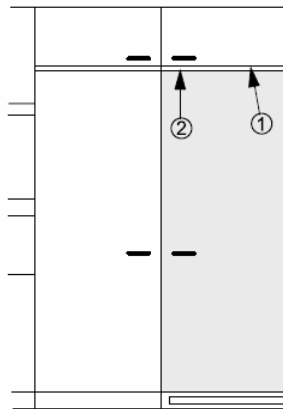
- A 21-7/32" (539 mm)
  - B 69-21/32" (1769,5 mm)
  - C 21-15/16" (557 mm)
  - D 69-3/4" - 70-3/8" (1772 - 1788 mm)
  - E min 22" (560 mm) max 22-3/4" (578 mm)
  - F 21-21/32" (550 mm)
  - G 1-1/2" (38 mm)
  - J 66-1/2" (1689,9 mm)
  - K max. 3/4" (19 mm)
  - L 9-21/32" (245 mm)
1. Power cord
  2. Level
  3. Electrical outlet – the top of the electrical outlet must be located within 82-5/8in (2100mm) (Figure2) from the top of the base in the cabinet.
  4. Fish line for power cord

**Kitchen Cabinet Doors**

**Designing the Kitchen Cabinet Doors**

You will need two doors for the kitchen cabinet, one for the refrigerator compartment, and one for the freezer compartment. In general, the doors have these characteristics:

- The width of the cabinet doors depends on the kitchen style and the size of the gaps between the door panels of the cabinetry. Generally, a 1/8" vertical gap between the cabinet doors is recommended.
- The doors should be at least 5/8 in. (16 mm) thick to allow the connecting rails to be fastened to them.
- With both doors closed, there should be a minimum of 1/8 in. (3 mm) between the upper and lower doors (2). Also, there should be a 1/8 in. (3 mm) clearance between the upper door and the cabinet door(1) above it (if any).
- The top edge of the upper door (1) and lower door (2) should be even with the doors of adjoining cabinet(s), if any.
- Adjust the door alignment before installing the appliance. It is impossible to adjust the door with the appliance installed.
- Check the installation dimensions according to Section "Unit Dimensions".
- Do not load the door of the refrigerator with more than 49,6 lbs (22,5kg) of food.
- Before assembling the unit door, make sure that the permitted weight for the unit doors is not exceeded. Otherwise damage to the hinges and malfunctions arising from this cannot be ruled out.



**Ventilation Requirements**

This is a fully integrated refrigerator-freezer which means that it is fully enclosed by a kitchen cabinet. This type of cabinet must be carefully constructed using the correct dimensions and it must provide suitable ventilation to ensure proper appliance operation.

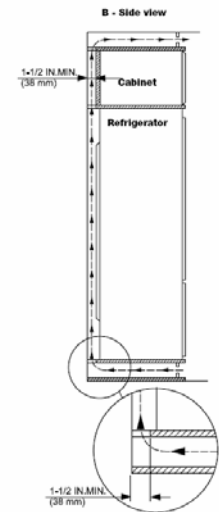
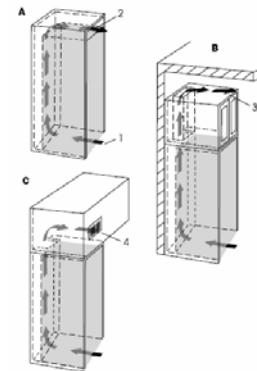
**Kitchen Cabinet Airflow**

1. The following ventilation dimensions must be observed:

There must be a ventilation space at least 31 in.<sup>2</sup> (200 cm<sup>2</sup>) at the airflow inlet (1) and at the airflow outlet (2).

The top ventilation space can be directed in one of the following ways:

- A) Directly over the appliance (2) with either an optional factory air vent or custom made one using the template supplied with the unit.
- B) Above the cabinet and below the ceiling (3).
- C) Through a vent installed in a soffit (4).

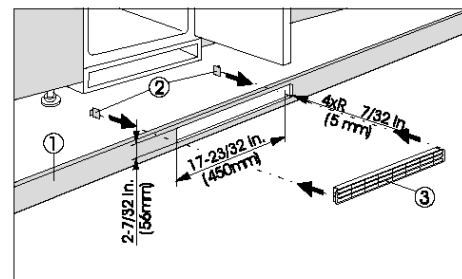


A minimum space of 1 1/2" is required when a cabinet is built above and/or underneath.

Ventilation through the cabinet base at the bottom can be achieved by installing the provided ventilation grill (3) or via a ventilation opening of at least 31 in.<sup>2</sup> (200 cm<sup>2</sup>).

When using the provided ventilation grill (3), please proceed as follows:

- In the cabinet base, cut out a ventilation opening that is 17-23/32 in. (450 mm) in width and 2-7/32 in. (56 mm) in height.
- Insert ventilation (3) grill into the cabinet base cut-out (1).
- From the back side, slide the snap-fits (2) into the grille until the hooks make contact with the cabinet base.
- Completely mount cabinet base (with ventilation grill and



**Electrical Requirements**

A 115 Volt, 60Hz, 15 Amp (20 Amp for side-by-side) fused electrical supply is required. We recommend using a dedicated circuit to prevent electrical overload.

The refrigerator features newly designed BioFresh safes with efficient LED lighting throughout and variable bottle shelving.

Incorporates soft close door technology and streamlined Liebherr space design.