

Miele

48" Dual Fuel Range

HR 1954-2 DF G/LP, HR 1955-2 DF G,
HR 1956-2 DF G/LP



Shown: HR 1956-2 DF under DAR 1250
Please note: This information is subject to change

mieleusa.com
Specification Sheet TRS 08142018

48" Dual Fuel Range

SPECIFICATIONS	
Overall Unit Dimensions	47 ¹⁵ / ₁₆ " (1220 mm) W x 35 ¹ / ₂ " – 37" (902 – 940 mm) H x 26 ¹ / ₂ " (678 mm) D [Depth to control panel]
Oven Door Clearance	25" (635 mm)
Niche	
Minimum Cabinet Niche Opening	48" (1220 mm) W x 35 ¹ / ₂ " (902 mm) H
Gas	
Gas Line Connection	1/2" NPT
Operational Altitudes	
High Altitude	Miele Natural Gas and LP Ranges will function up to 9,800 ft. in altitude without adjustment; the following exception will function up to 6,500 ft. in altitude without adjustment: <ul style="list-style-type: none"> • Griddle in LP: HR 1956 LP • Grill in G: HR 1955 G If an installation exceeds these elevations, please contact rangejetkit@mieleusa.com.
Electrical	HR 195x-2 DF
Electrical Requirements	120/208-240V, 60Hz, 50A
Power Cord	NEMA 14-50p, 5' 11" (1.8m)
Plumbing	HR 195x-2 DF
Plumbing Requirements	An Inline water filter, like activated carbon, is required to reduce mineral deposits. Do not connect to a Reverse Osmosis (RO) water system. Connect to a cold water supply only. Must be connected to a shut-off valve. The water shut-off valve must be accessible after installation. The water pressure must be between 14.5 and 145 psi (1 and 10 bars). If the pressure is higher, install a pressure reducing valve.
Plumbed Hose Connection	Supplied hose: flexible braided 4'11" (1.5 m) with ³ / ₈ " O.D. compression fitting for connection to a shut off valve. The total hose length must not exceed 24.5 ft. (7.5 m).
Shipping	HR 195x-2 DF
Shipping Weight	637 lbs (289 kg)
Shipping Dimensions	51 ⁵ / ₁₆ " (1,303 mm) W x 55 ¹ / ₂ " (1,410 mm) H x 32" (813 mm) D
Installation Accessories	HR 195x-2 DF
12" Backguard	RBGDF1248
20" Backguard	RBGDF2048
40" Backsplash	RBS48
Support	
Call Miele	(800) 999-1360
Miele Website	www.mieleusa.com
20/20 Link	2020technologies.com

Dual Fuel:



Only Burners:



HR 1954-2 DF
Item 25195471USA

HR 1954-2 DF LP
Item 25195472USA

With Grill:



HR 1955-2 DF
Item 25195571USA

With Griddle:

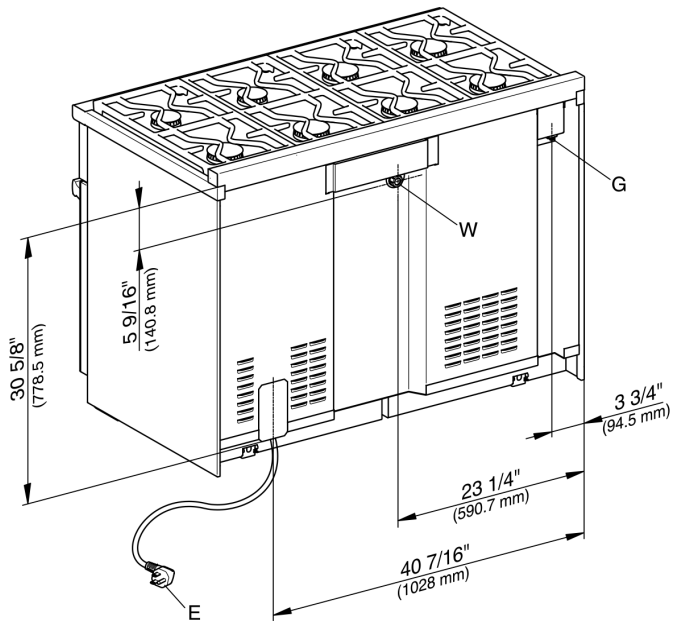
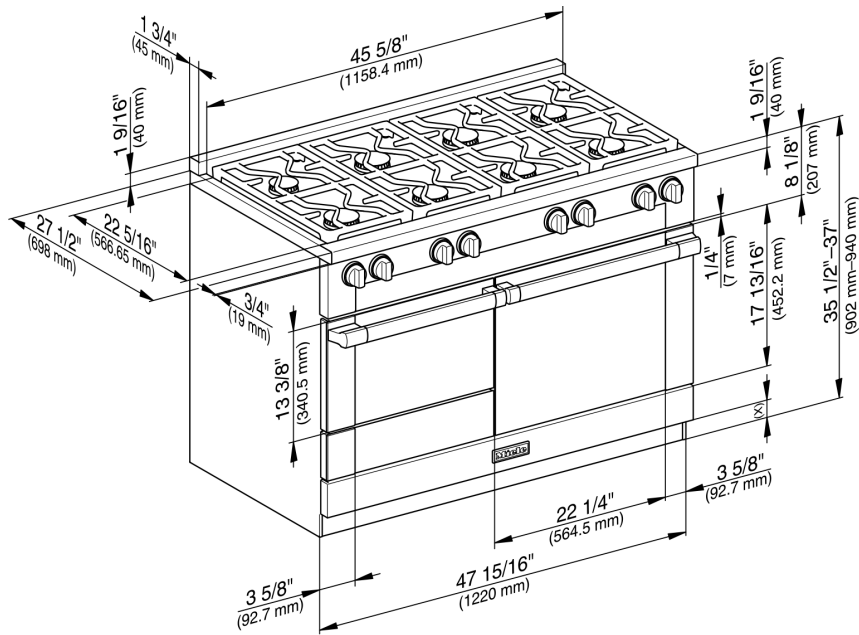


HR 1956-2 DF
Item 25195671USA

HR 1956-2 DF LP
Item 25195672USA

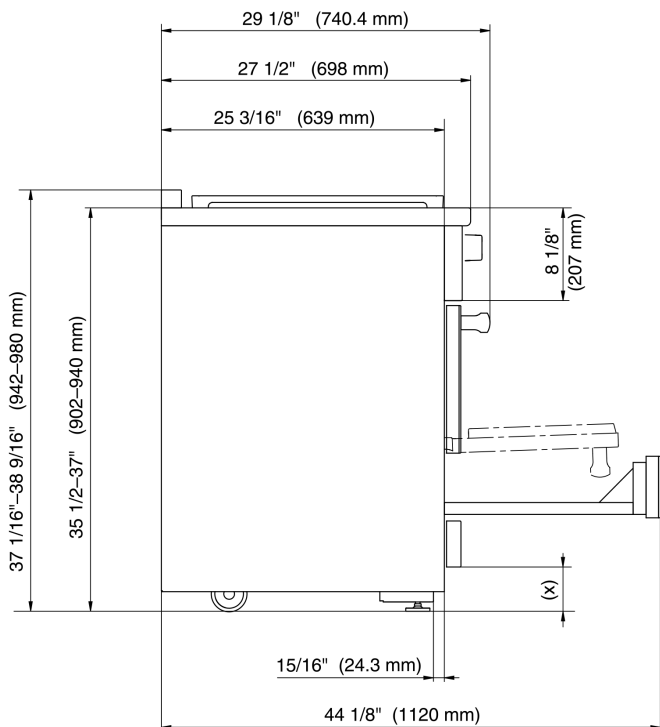
48" Dual Fuel Range

PRODUCT DIMENSIONS

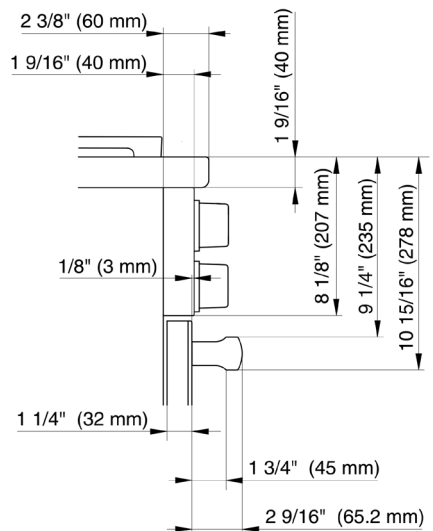


- (x) = Toe-kick height adjustment 5" - 6 1/2" (127 mm - 165.1 mm)
- E = Electrical connection
- G = Gas connection
- W = Water connection

SIDE VIEW



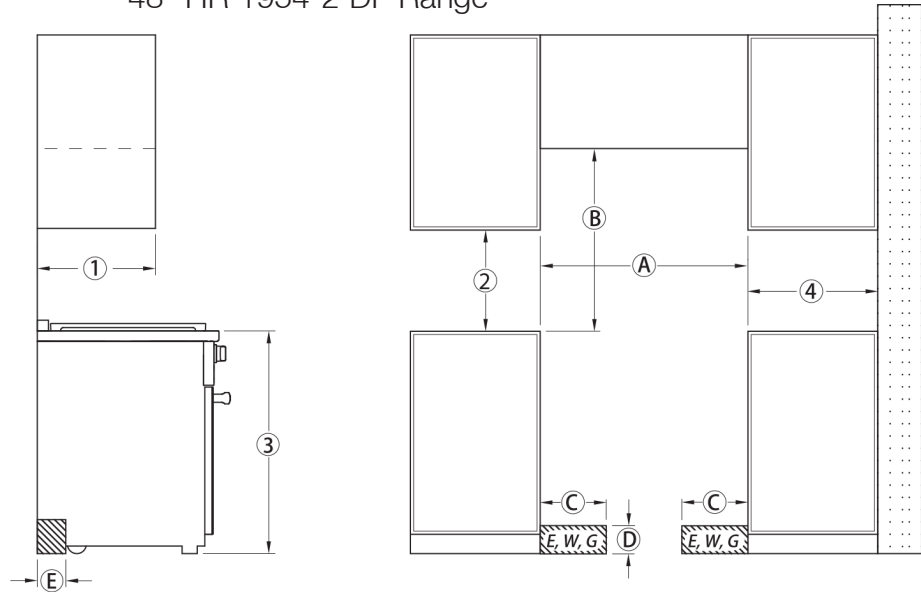
BULLNOSE DETAILS



- (x) = Toe-kick height adjustment 5" - 6 1/2" (127 mm - 165.1 mm)

48" HR 1954-2 DF Range

Dual Fuel 48" Range BTU Output	
HR1954-2 Burners	
Gas Burners:	(2) 10,000 BTU (G/LP);
	(2) 13,600 BTU (G) 13,000 BTU (LP);
	(4) 19,500 BTU (G/LP)
Total BTU Output	125,200 BTU (G)
	124,000 BTU (LP)



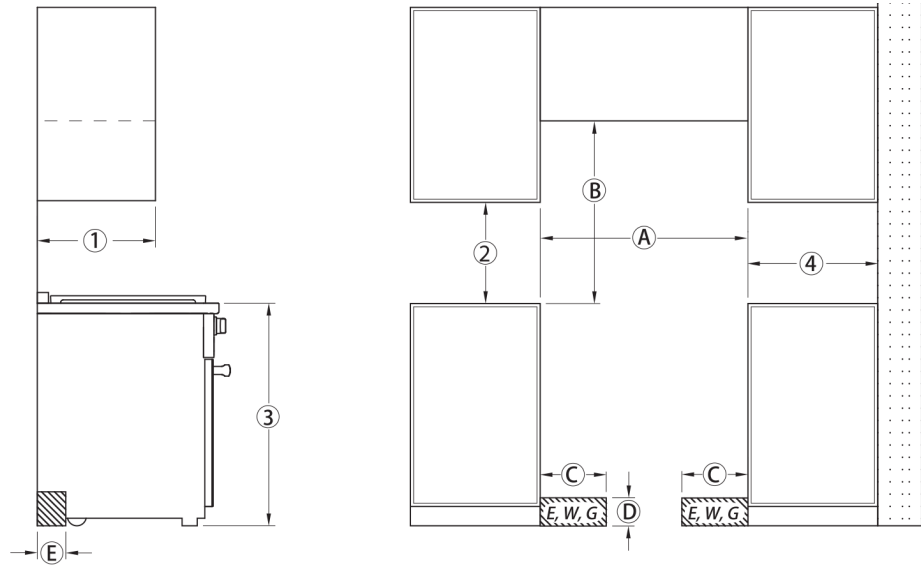
©, ©, © The shaded area represents the installation area for the connections:
E = Electrical connection, W = Water connection, G = Gas connection

Position	Dimensions	Description	
①	13" (330 mm)	Maximum depth of top cabinet	
②	18" (457 mm)	Minimum distance to bottom edge of top cabinet	
③	35 1/2"–37" (901–940 mm)	Distance from the floor to cooktop surface	
④	10" (254 mm)	Minimum distance to combustibles.	
Ⓐ	min. 48" (1220 mm)	Niche width Please contact Miele Service for more information.	
Ⓑ	37" (940 mm)	Minimum distance between the top of the cooking area and the bottom of an unprotected combustibles surface.	
	36" (915 mm)	Minimum distance between the top of the cooking area and the bottom of the Miele Range Hood (DAR model with DRxB XXL blower).	
Refer to the Installation instructions for the Miele ventilation hood, Appliance dimensions (Distance between cooktop and ventilation hood (S)). For all other hoods please consult the manufacturer's specifications for required distances.			
Ⓒ	approx. 20 1/2" (518 mm)	Maximum connection width right and left	Position of the wall socket
Ⓓ	approx. 3 1/2" (90 mm)	Maximum connection height	
Ⓔ	approx. 2 13/16" (72 mm)	Maximum connection depth	

Note:
Please observe safe distances to rear combustibles surfaces of 12" (305 mm) clearances. For zero clearance installation, Miele Backguards will satisfy the required distance to combustibles surfaces. The Miele Backguard is available in 12" (305 mm) or 20" (508 mm) heights.

48" HR 1955-2 DF and HR 1956-2 DF Range

Dual Fuel 48" Range BTU Output	
HR1955-2 Burners	
Gas Burners:	(2) 10,000 BTU (G); (1) 13,600 BTU (G) (3) 19,500 BTU (G)
Grill Burner:	19,000 BTU (G)
Total BTU Output	111,100 BTU (G)
HR1956-2 Burners	
Gas Burners:	(2) 10,000 BTU (G/LP); (1) 13,600 BTU (G) 13,000 BTU (LP); (3) 19,500 BTU (G/LP)
Griddle Burner:	13,000 BTU (G) 14,300 BTU (LP)
Total BTU Output	105,100 BTU (G) 105,800 BTU (LP)



©, ©, © The shaded area represents the installation area for the connections:
E = Electrical connection, W = Water connection, G = Gas connection

Position	Dimensions	Description
①	13" (330 mm)	Maximum depth of top cabinet
②	18" (457 mm)	Minimum distance to bottom edge of top cabinet
③	35 1/2"–37" (901–940 mm)	Distance from the floor to cooktop surface
④	10" (254 mm)	Minimum distance to combustible surfaces.
Ⓐ	min. 48" (1220 mm)	Niche width Please contact Miele Service for more information.
Ⓑ	37" (940 mm)	Minimum distance between the top of the cooking area and the bottom of an unprotected combustible surface.
	36" (915 mm)	Minimum distance between the top of the cooking area and the bottom of the Miele Range Hood (DAR model with DRxB XL blower).
	30" (762 mm)	Minimum distance between the top of the cooking area and the bottom of the Miele Range Hood (DAR model with DRxB XXL blower).
Refer to the Installation instructions for the Miele ventilation hood, Appliance dimensions (Distance between cooktop and ventilation hood (S)). For all other hoods please consult the manufacturer's specifications for required distances.		
©	approx. 20 1/2" (518 mm)	Maximum connection width right and left
©	approx. 3 1/2" (90 mm)	Maximum connection height
©	approx. 2 13/16" (72 mm)	Maximum connection depth
Position of the wall socket		

Note:
Please observe safe distances to rear combustible surfaces of 12" (305 mm) clearances. For zero clearance installation, Miele Backguards will satisfy the required distance to combustible surfaces. The Miele Backguard is available in 12" (305 mm) or 20" (508 mm) heights..