

## 36" Dual Fuel Range

Model: HR 1934 DF / HR 1934 DF LP



### HR 1934 DF / HR 1934 DF LP

#### Features:

- M Touch controls and backlit knobs
- M Pro dual stacked burner system with TrueSimmer
- ComfortClean dishwasher-safe grates
- TwinPower Convection fans
- 21 Operating modes including Self-Clean
- Moisture Plus
- MasterChef and MasterChef Plus automatic programs
- Wireless Roast Probe
- Soft Close and Soft Open
- Clean Touch Steel™ front

#### SPECIFICATIONS

HR 1934 DF — Item 25193451USA

HR 1934 DF LP — Item 25193452USA

Overall Unit Width - Excluding Fascia Dimension 36" (914.4mm)

Overall Height - Excluding Fascia Dimension 35½" — 37" (901.7 — 939.8mm)

Overall Unit Depth to front of control panel 26½" (673mm)

Oven Door Clearance 22¾" (577mm)

#### Niche

Minimum Cabinet Niche Width 36⅛" + ⅛" (916 — 917.6mm)

Minimum Cabinet Opening Height 35½" (901.7mm)

#### Burners

Gas Burners: (1) 12,000 BTU; (5) 19,000 BTU

#### Electrical

Electrical Requirements 120V / 240V, 60Hz, 30 Amps  
120V / 208V, 60Hz, 30 Amps

Power Cord Yes - NEMA 14-30 plug, 5.5 ft. (167.6cm) long

#### Shipping

Shipping Weight 438.7 lbs. (199kg)

#### Support

Call 800.843.7231

20/20 [2020technologies.com](http://2020technologies.com)

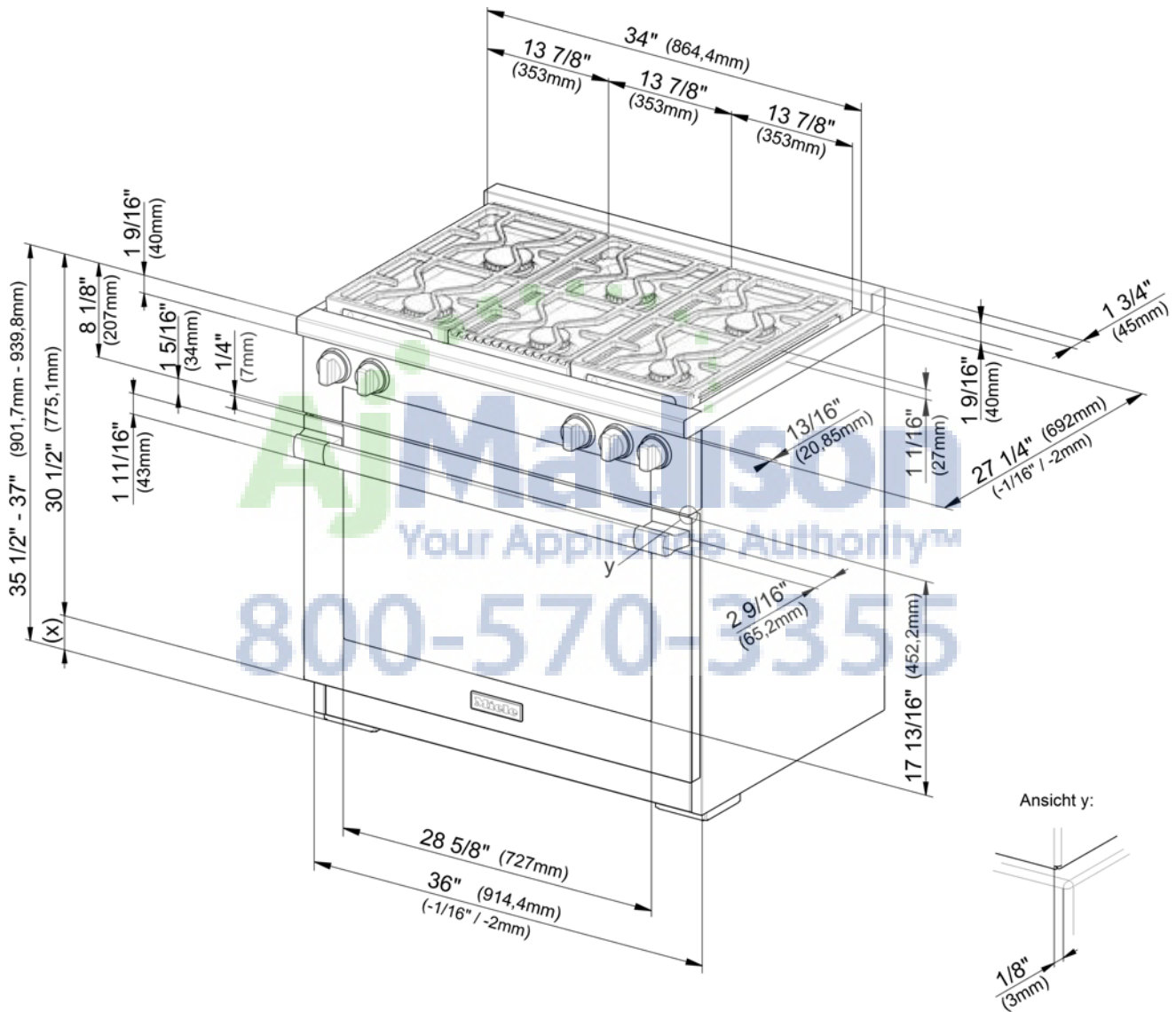
# 36" Dual Fuel Range

## Model: HR 1934 DF / HR 1934 DF LP

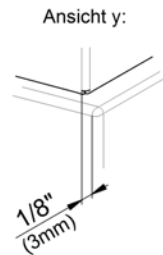


### PRODUCT VIEWS

Isometric



(x) = Toe-kick height adjustment 4" – 5 1/2" (101.6 – 139.7mm)



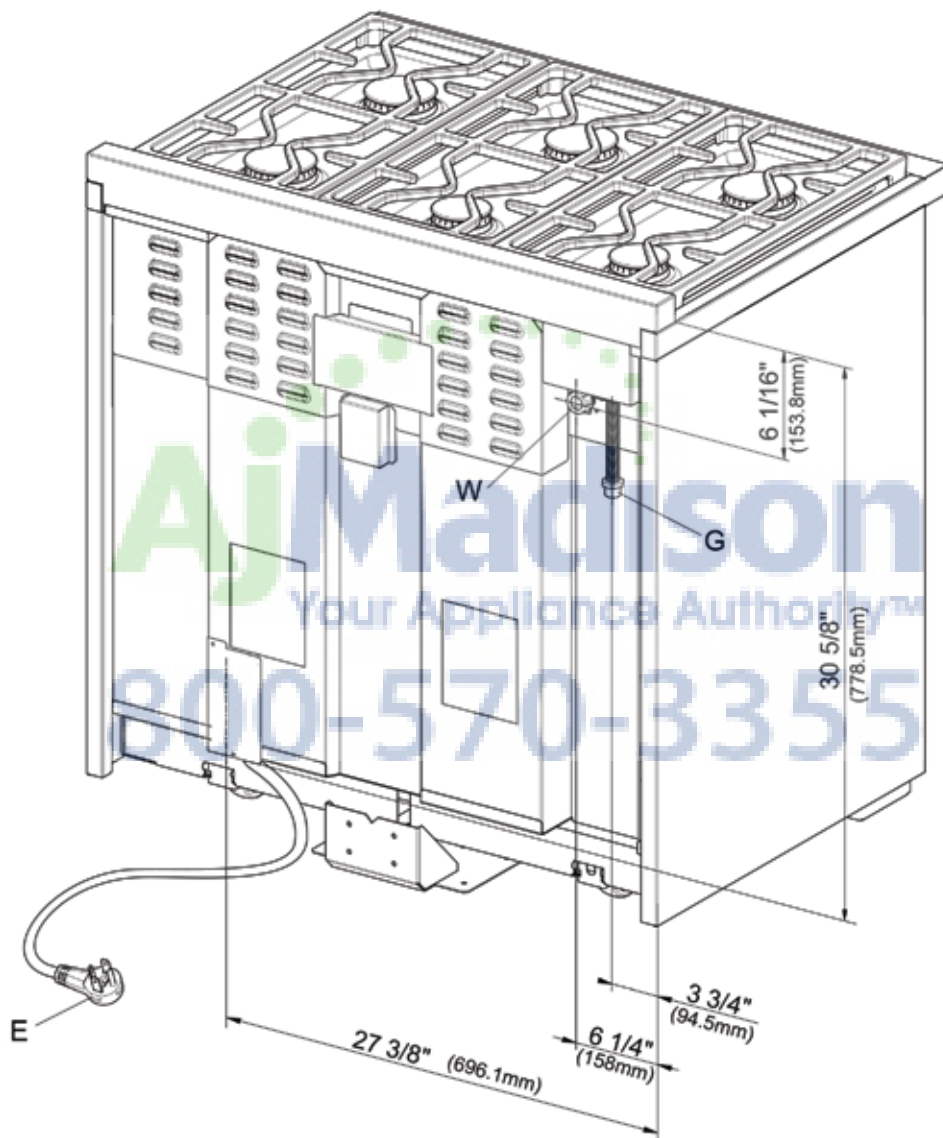
# 36" Dual Fuel Range

Model: HR 1934 DF / HR 1934 DF LP



## PRODUCT VIEWS

Rear View



E = Electrical connection

W = Plumbing

G = Gas connection

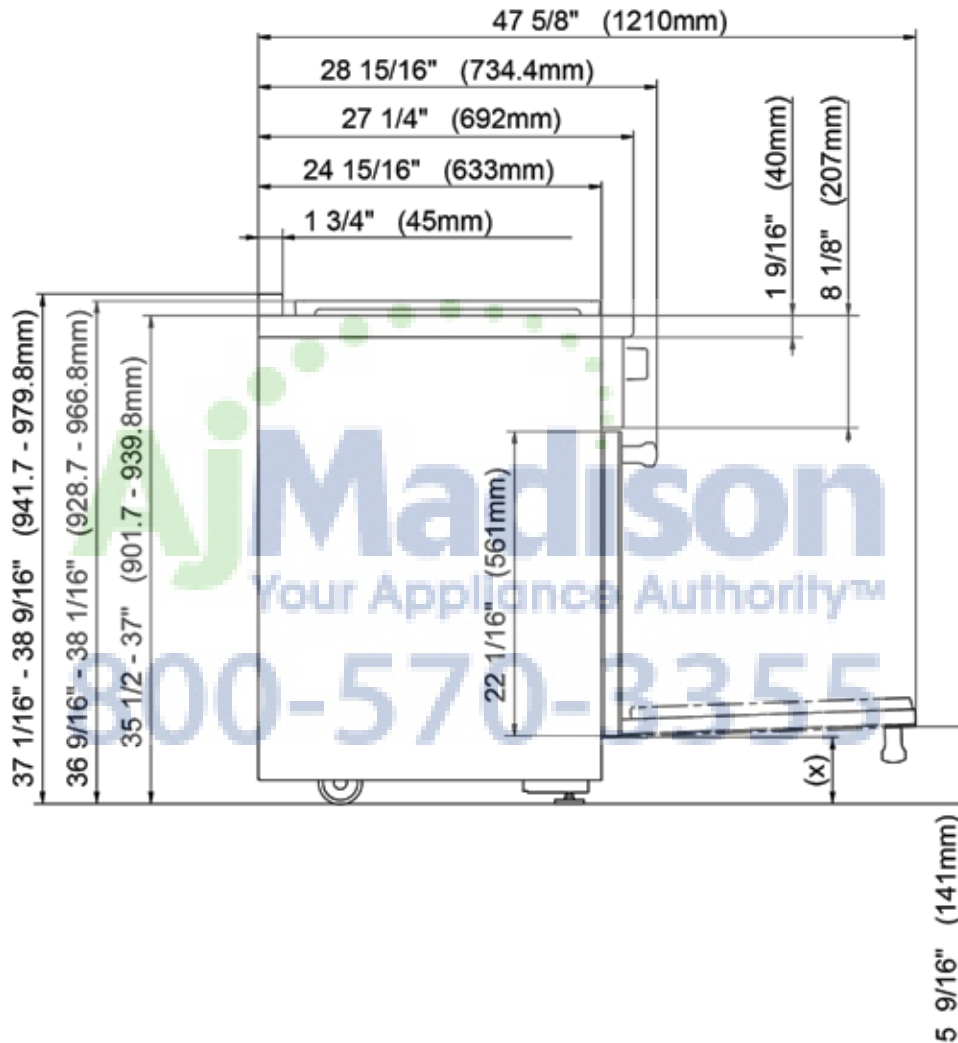
# 36" Dual Fuel Range

Model: HR 1934 DF / HR 1934 DF LP



## PRODUCT VIEWS

Detailed Side View



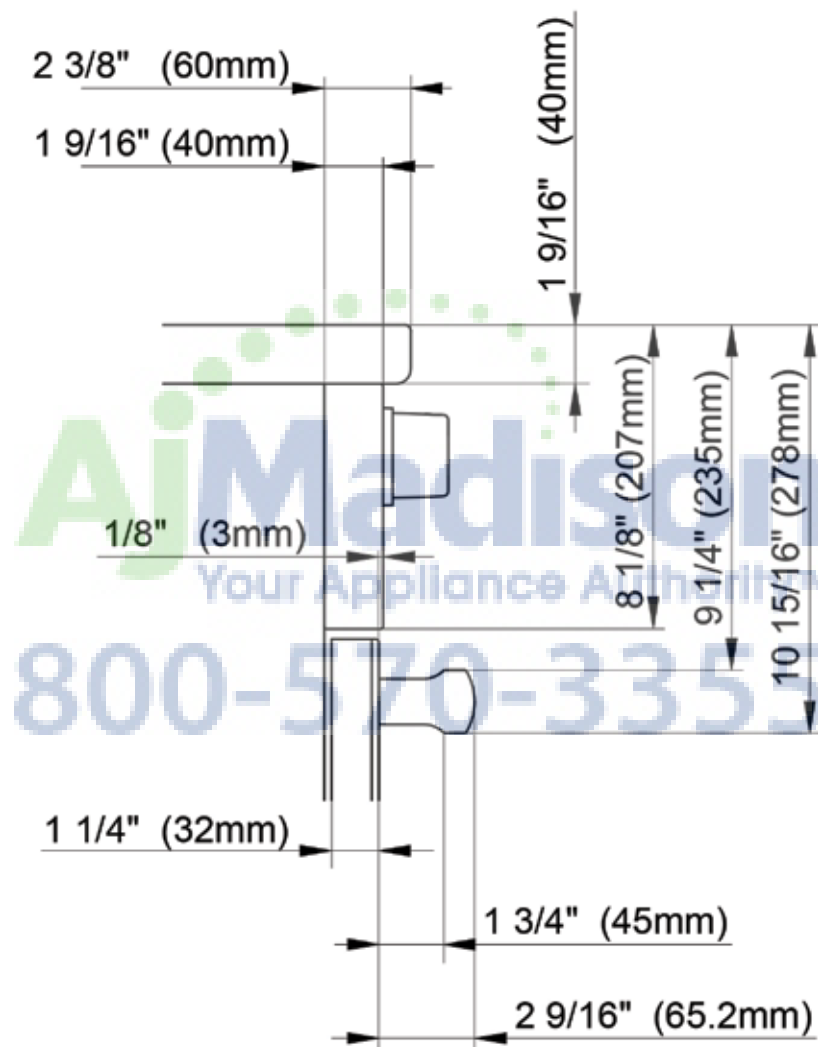
(x) = Depending on the appliance height adjustment: 4" - 5 1/2" (101.6 mm - 139.7 mm)

36" Dual Fuel Range  
Model: HR 1934 DF / HR 1934 DF LP



PRODUCT VIEWS

Detailed Front Side View



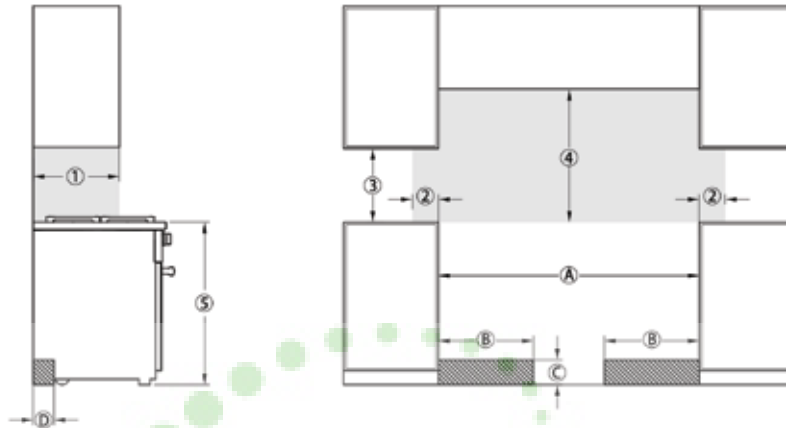
# 36" Dual Fuel Range

## Model: HR 1934 DF / HR 1934 DF LP



### PRODUCT VIEWS

#### Cabinet View



Position	Dimension [inches]	Description
①	13"	Maximum depth of top cabinet
②	6"	Minimum distance (left and right) to flammable surfaces
③	18"	Minimum distance to bottom edge of top cabinet
④	30"	Minimum distance between the top of the cooking area and the bottom of an unprotected wooden or metal cabinet
⑤	35 1/2"–37"	Distance from floor to cooktop surface
Ⓐ	36 1/16" + 1/16"	Cabinet niche width
Ⓑ	approx. 13 3/4" (350 mm)	Maximum connection width right and left
Ⓒ	approx. 4 1/2" (115 mm)	Maximum connection height
Ⓓ	approx. 2 13/16" (72 mm)	Maximum connection depth

The gray areas represent the minimum distance from flammable surfaces.

The hatched areas represent the installation areas for the connections.

For island installations, 12" minimum distance from back of range to flammable rear wall above countertop.

For gas, electric and water connections, see Rear Product View