

## 30" Dual Fuel Range

Model: HR 1924 DF / HR 1924 DF LP



### HR 1924 DF / HR 1924 DF LP

#### Features:

- M Touch controls and backlit knobs
- M Pro dual stacked burner system with TrueSimmer
- ComfortClean dishwasher-safe grates
- TwinPower Convection fans
- 21 Operating modes including Self-Clean
- Moisture Plus
- MasterChef and MasterChef Plus automatic programs
- Wireless Roast Probe
- Soft Close and Soft Open
- Clean Touch Steel™ front

#### SPECIFICATIONS

HR 1924 DF — Item 25192451USA

HR 1924 DF LP — Item 25192452USA

Overall Unit Width	30" (762mm)
Overall Height	35½" — 37" (901.7 — 939.8mm)
Overall Unit Depth to control panel	26½" (673mm)
Oven Door Clearance	22¾" (577mm)
<b>Niche</b>	
Minimum Cabinet Niche Width	30⅛" + ⅛" (763.5 — 765.1mm)
Minimum Cabinet Opening Height	35½" (901.7mm)
<b>Burners</b>	
Gas Burners:	(1) 12,000 BTU; (3) 19,000 BTU
<b>Electrical</b>	
Electrical Requirements	120V / 240V, 60Hz, 15 Amps 120V / 208V, 60Hz, 15 Amps
Power Cord	Yes - NEMA 14-30 plug, 5.5 ft. (167.6cm) long
<b>Shipping</b>	
Shipping Weight	385.1 lbs (174.7kg)
<b>Support</b>	
Call	800.843.7231
20/20	©2020technologies.com

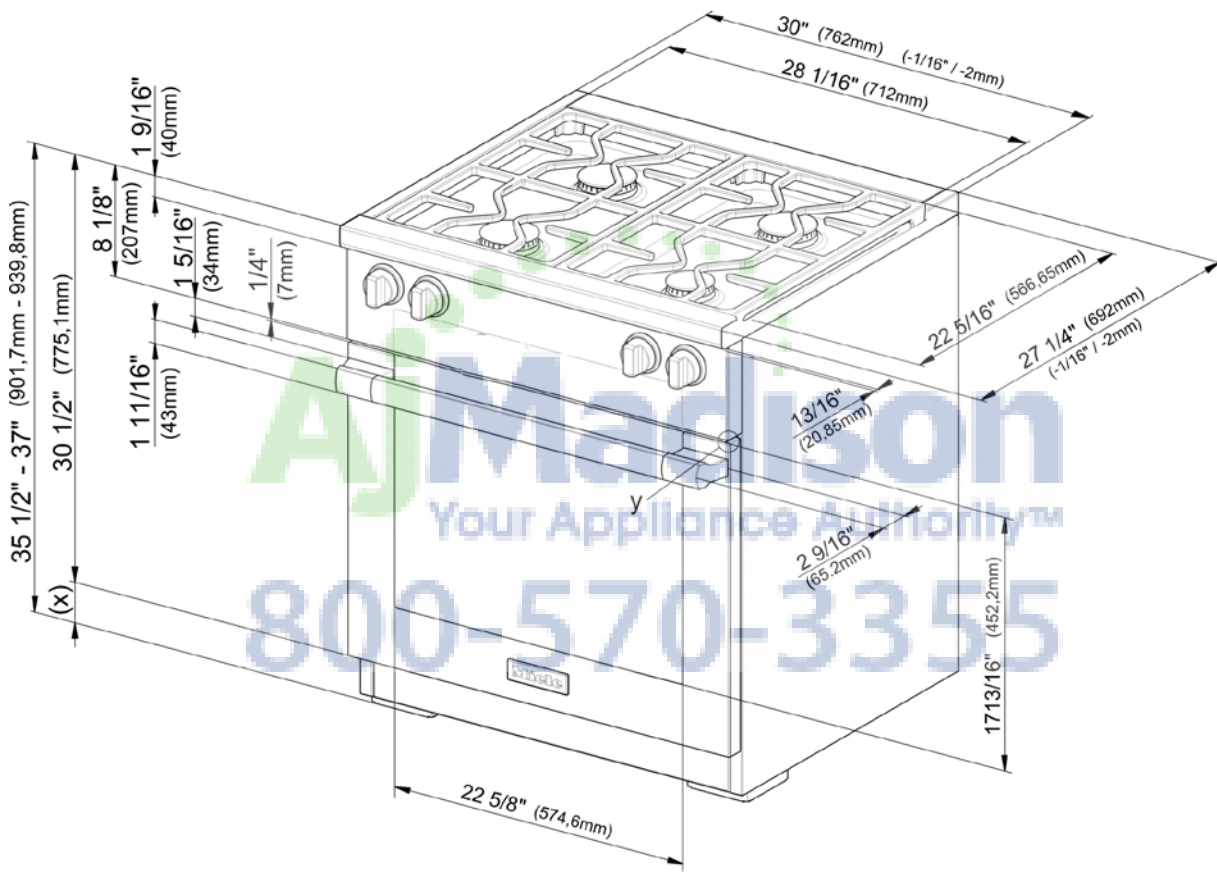
# 30" Dual Fuel Range

## Model: HR 1924 DF / HR 1924 DF LP

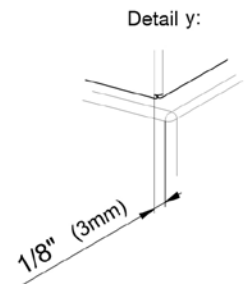


### PRODUCT VIEWS

Isometric



(x) = Toe-kick height adjustment 4" - 5 1/2" (101,6mm - 139,7mm)



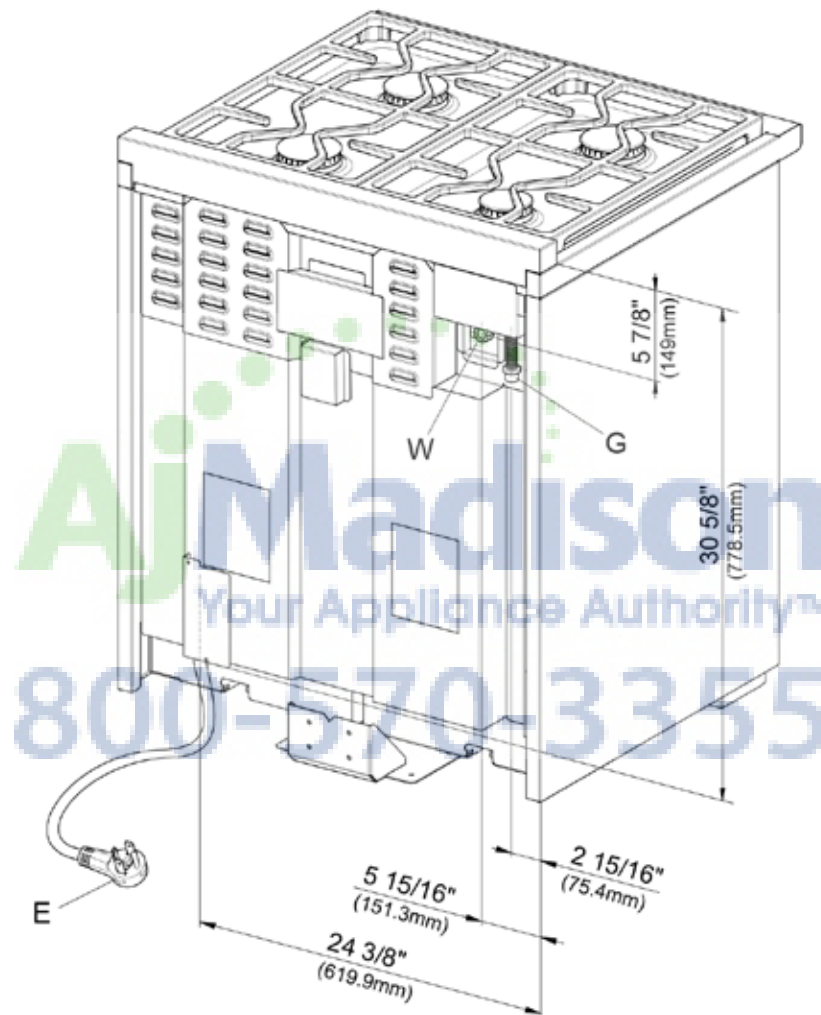
# 30" Dual Fuel Range

Model: HR 1924 DF / HR 1924 DF LP



## PRODUCT VIEWS

Rear View



E = Electrical connection

W = Plumbing

G = Gas connection

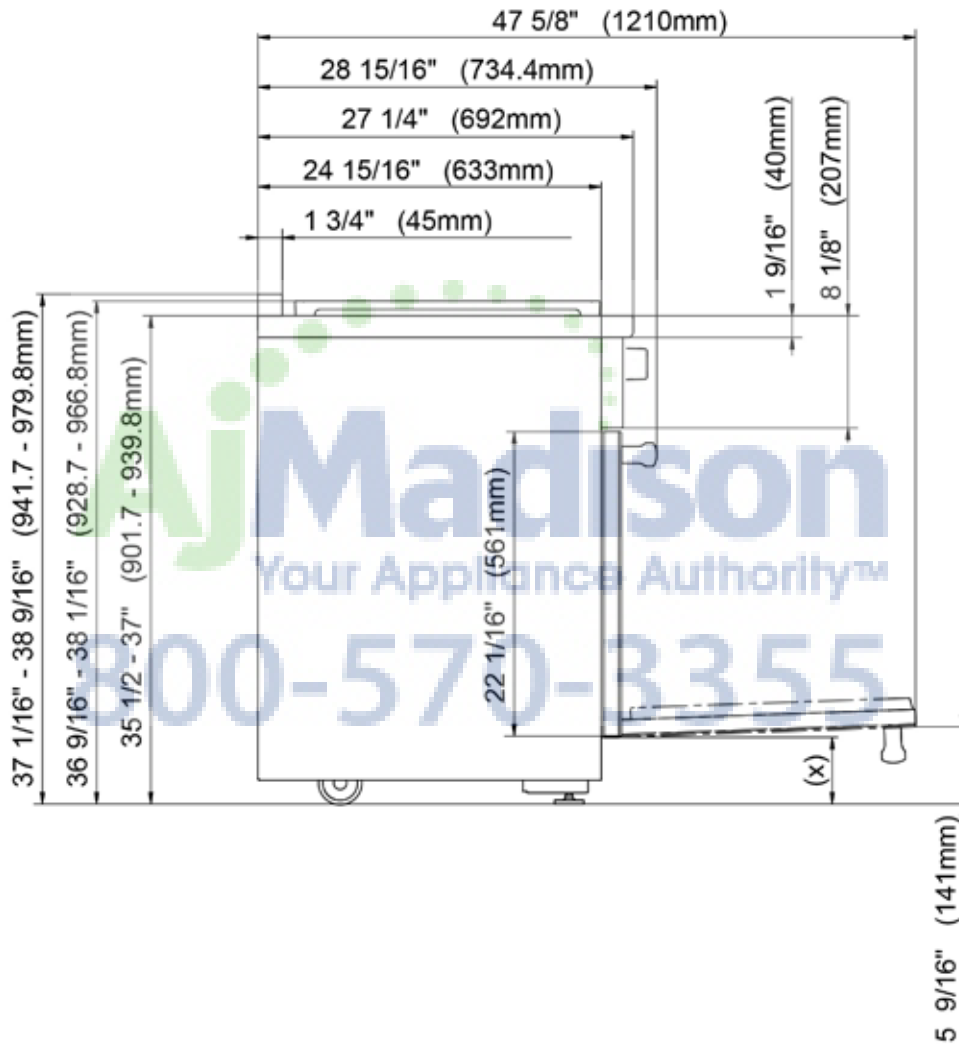
# 30" Dual Fuel Range

Model: HR 1924 DF / HR 1924 DF LP



## PRODUCT VIEWS

Detailed Side View



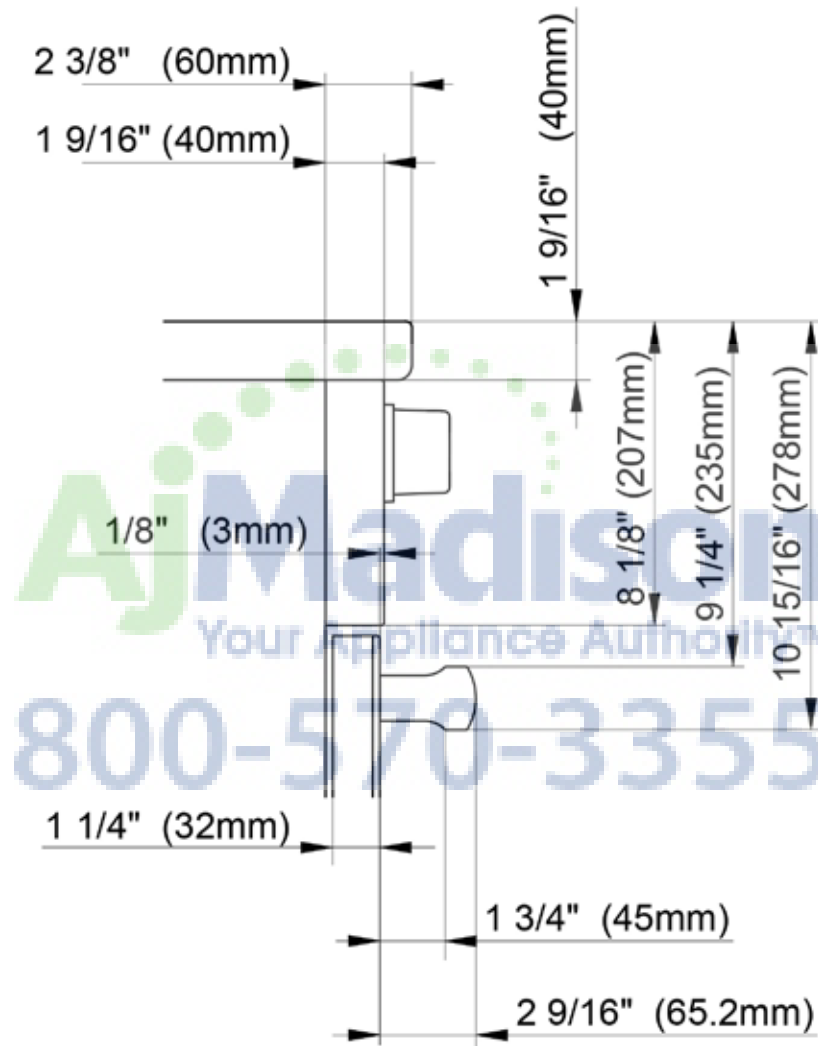
(x) = Depending on the appliance height adjustment: 4" - 5 1/2" (101.6 mm - 139.7 mm)

30" Dual Fuel Range  
Model: HR 1924 DF / HR 1924 DF LP



PRODUCT VIEWS

Detailed Front Side View



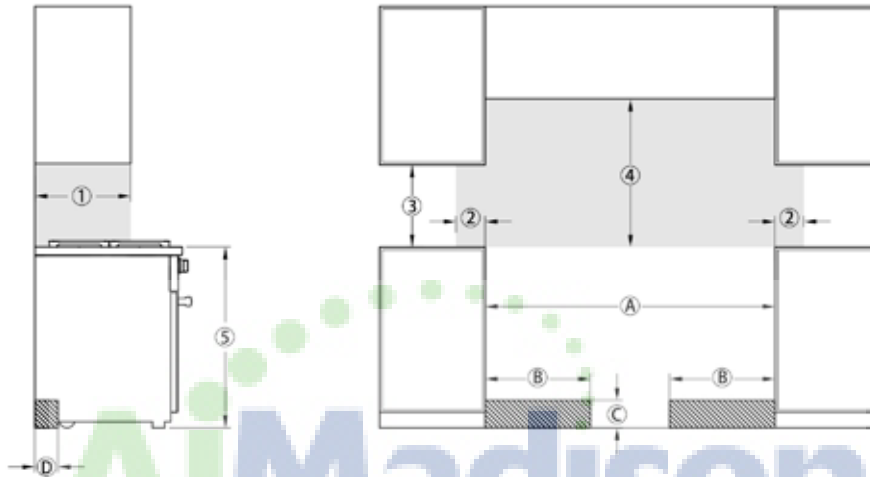
# 30" Dual Fuel Range

## Model: HR 1924 DF / HR 1924 DF LP



### PRODUCT VIEWS

#### Cabinet View



Position	Dimension [inches]	Description
①	13"	Maximum depth of top cabinet
②	6"	Minimum distance (left and right) to flammable surfaces
③	18"	Minimum distance to bottom edge of top cabinet
④	30"	Minimum distance between the top of the cooking area and the bottom of an unprotected wooden or metal cabinet
⑤	35 1/2"–37"	Distance from floor to cooktop surface
Ⓐ	30 1/16" + 1/16"	Niche width
Ⓑ	approx. 10 13/16" (274 mm)	Maximum connection width right and left
Ⓒ	approx. 4 1/2" (115 mm)	Maximum connection height
Ⓓ	approx. 2 13/16" (72 mm)	Maximum depth of connection

The gray areas represent the minimum distance from flammable surfaces.

The hatched areas represent the installation areas for the connections.

For island installations, 12" minimum distance from back of range to flammable rear wall above countertop.