

## 36" All Gas Range with Griddle

Model: HR 1136 G GD / HR 1136 LP GD



### HR 1136 G GD / HR 1136 LP GD

#### Features:

- DirectSelect controls
- M Pro dual stacked burner system with TrueSimmer
- M Pro Griddle
- ComfortClean dishwasher-safe grates
- 5 Operating modes including Self-Clean
- Twin Convection fans
- Soft Open and Soft Close
- Clean Touch Steel™ front

#### SPECIFICATIONS

HR 1136 G GD — Item 25113651USA

HR 1136 LP GD — Item 25113652USA

Overall Unit Width	36" (914.4mm)
Overall Height	35½" — 37" (901.7 — 939.8mm)
Overall Unit Depth to front of control panel	26½" (673mm)
Oven Door Clearance	22¾" (577mm)
<b>Niche</b>	
Minimum Cabinet Niche Width	36⅛" + ⅛" (916 — 917.6mm)
Minimum Cabinet Opening Height	35½" (901.7mm)
<b>Burners</b>	
Gas Burners:	(1) 12,000 BTU; (3) 19,000 BTU
Griddle:	(1) 15,000 BTU
<b>Electrical</b>	
Electrical Requirements	120V, 60Hz, 15 Amps
Power Cord	Yes - NEMA 5-15 plug, 5.5 ft. (167.6cm) long
<b>Shipping</b>	
Shipping Weight	448.6 lbs (203.5kg)
<b>Support</b>	
Call	800.843.7231
20/20	©2020technologies.com

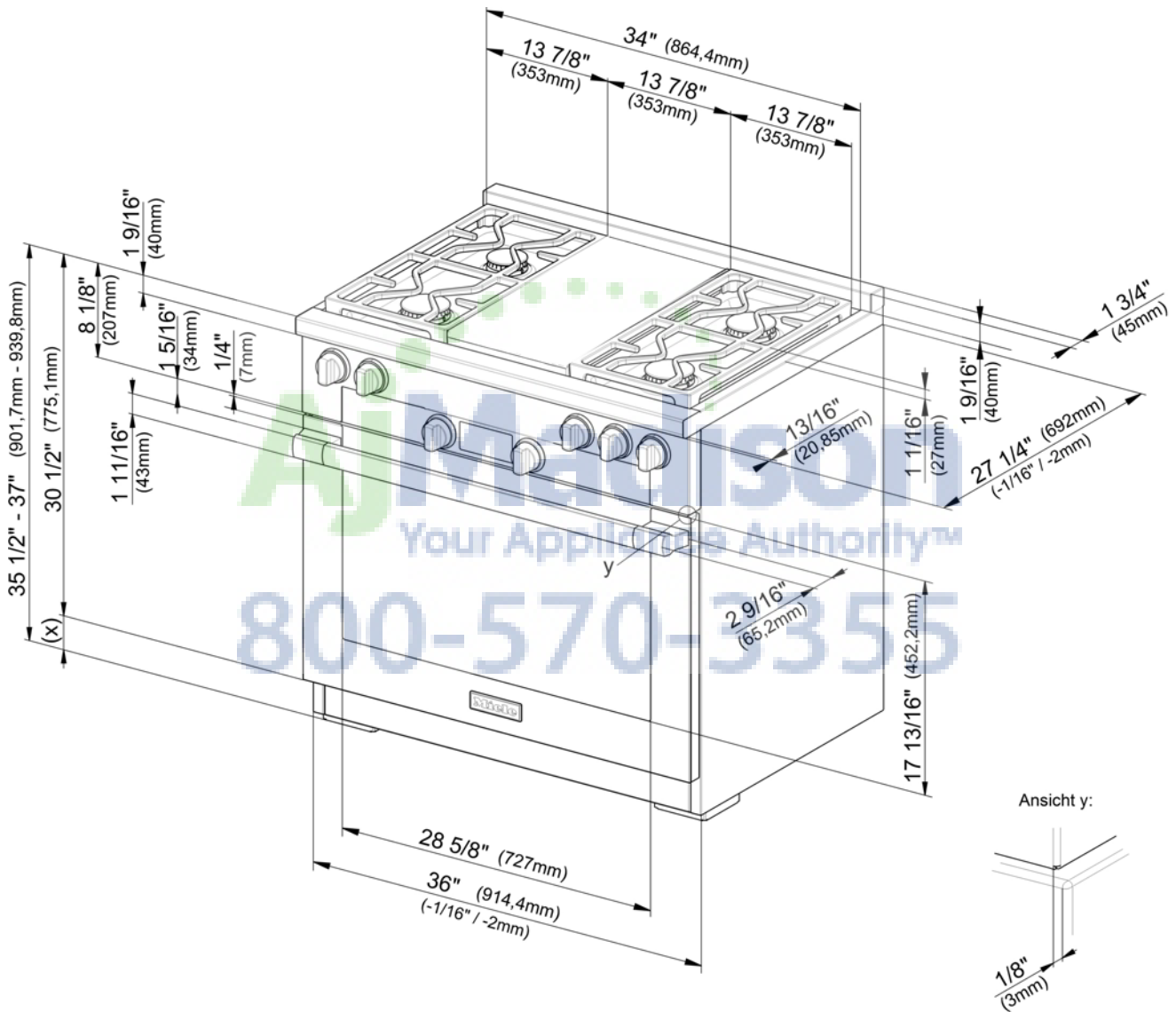
# 36" All Gas Range with Griddle

## Model: HR 1136 G GD / HR 1136 LP GD



### PRODUCT VIEWS

Isometric



(x) = Toe-kick height adjustment 4" – 5 1/2" (101.6 – 139.7mm)

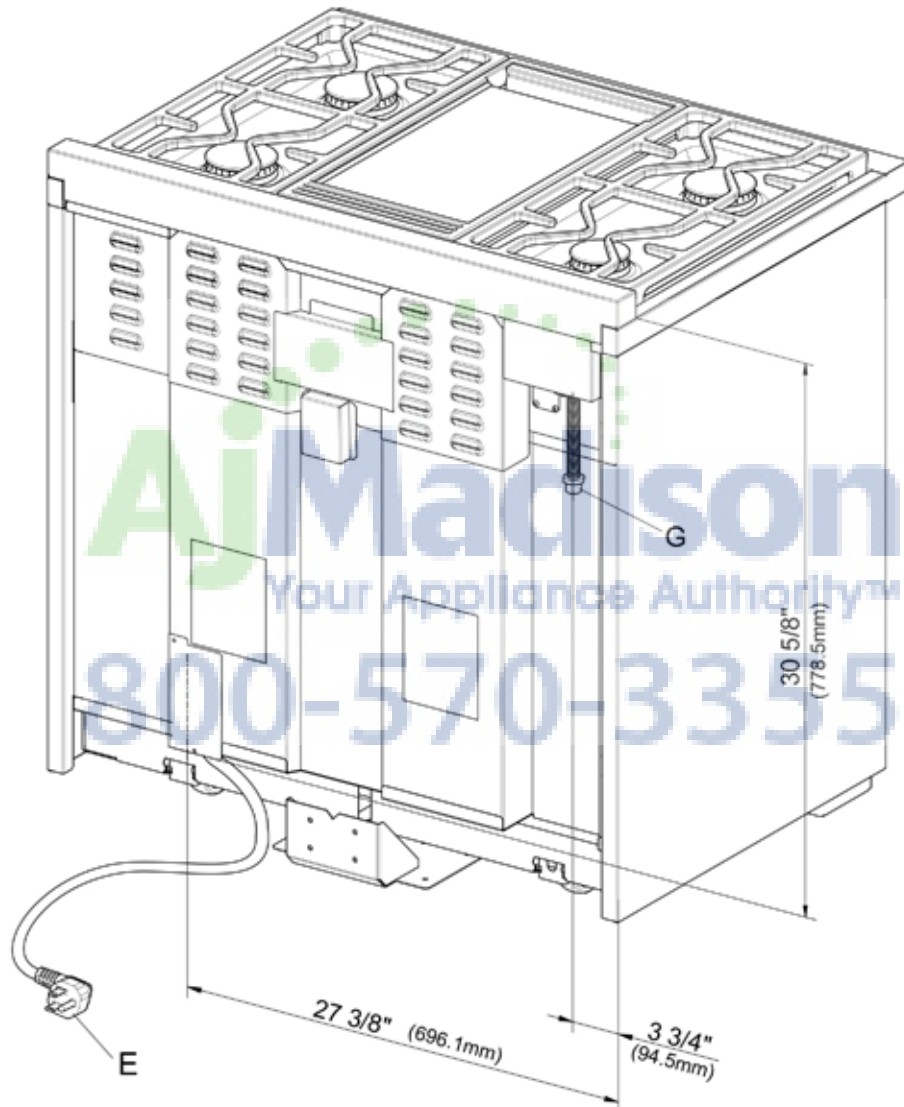
# 36" All Gas Range with Griddle

Model: HR 1136 G GD / HR 1136 LP GD



## PRODUCT VIEWS

Rear View



E = Electrical connection

G = Gas connection

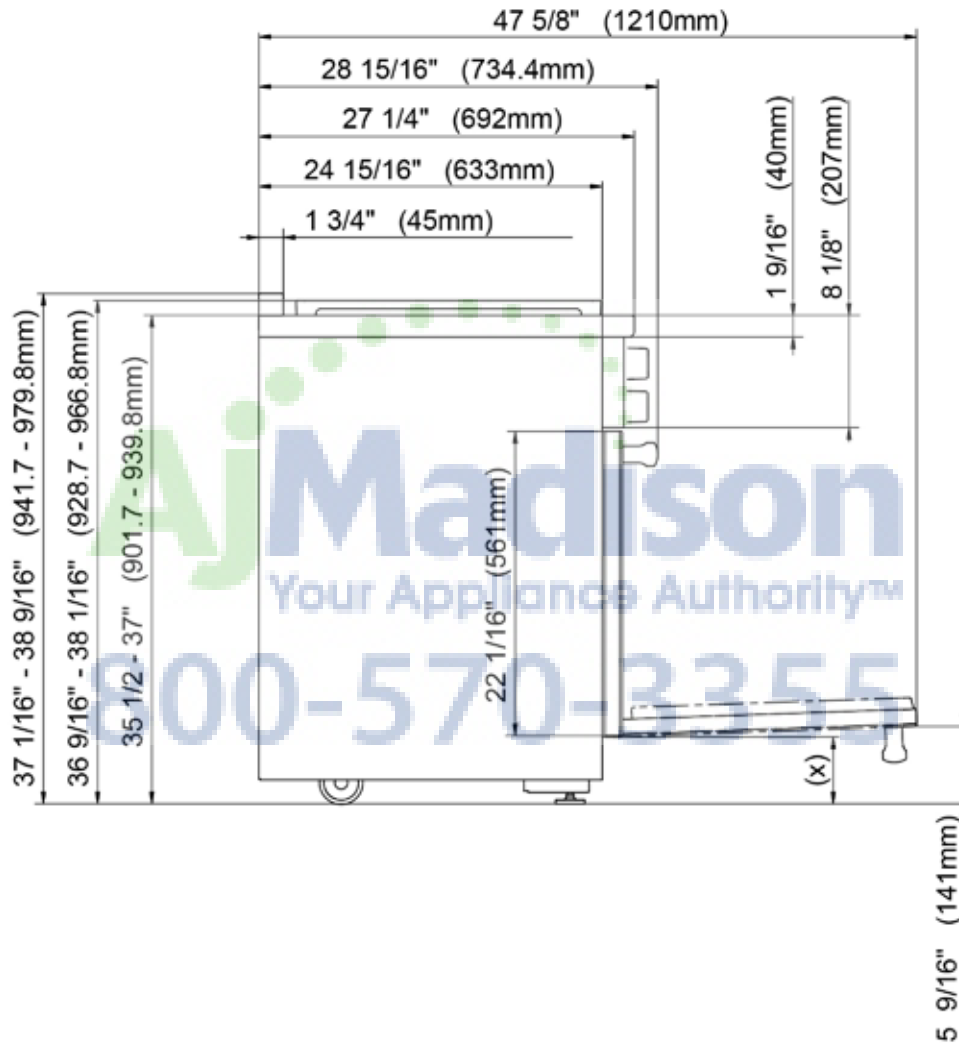
# 36" All Gas Range with Griddle

Model: HR 1136 G GD / HR 1136 LP GD



## PRODUCT VIEWS

Detailed Side View



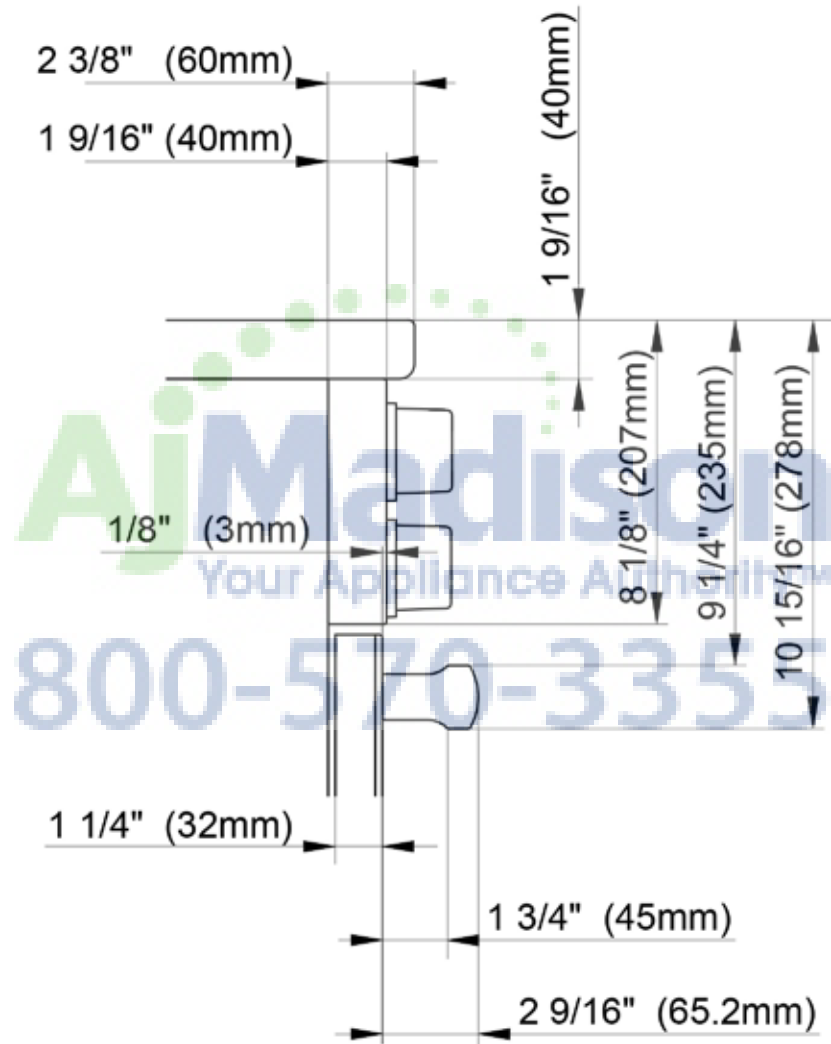
(x) = Depending on the appliance height adjustment: 4" - 5 1/2" (101.6 mm - 139.7 mm)

36" All Gas Range with Griddle  
Model: HR 1136 G GD / HR 1136 LP GD



PRODUCT VIEWS

Detailed Front Side View



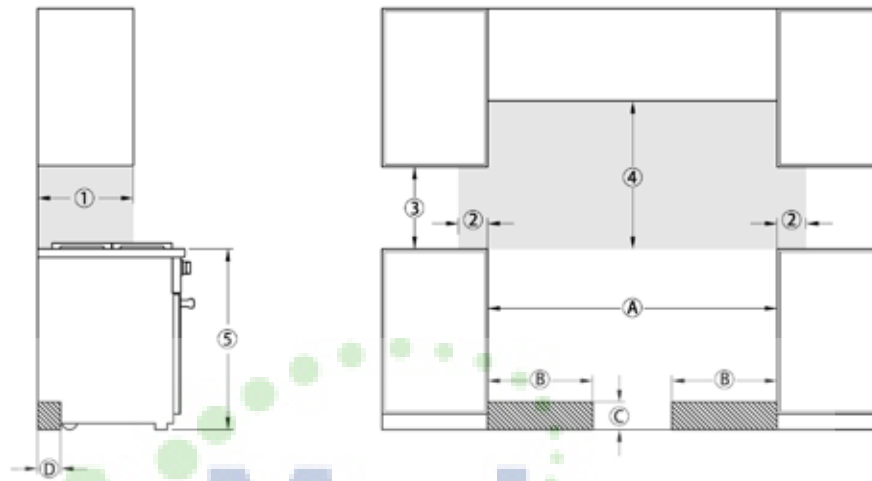
# 36" All Gas Range with Griddle

## Model: HR 1136 G GD / HR 1136 LP GD



### PRODUCT VIEWS

#### Cabinet View



Position	Dimension [inches]	Description
①	13"	Maximum depth of upper cabinet
②	6"	Minimum distance (left and right) to flammable surfaces
③	18"	Minimum distance to bottom edge of top cabinet
④	30"	Minimum distance between the top of the cooking area and the bottom of an unprotected wooden or metal cabinet
⑤	35 1/2"–37"	Distance from floor to cooktop surface
A	36 1/16 + 1/16"	Niche width
B	approx. 13 3/4" (350 mm)	Maximum connection width right and left
C	approx. 4 1/2" (115 mm)	Maximum connection height
D	approx. 2 13/16" (72 mm)	Maximum connection depth

The gray areas represent the minimum distance from flammable surfaces.

The hatched areas represent the installation areas for the connections.

For island installations, 12" minimum distance from back of range to flammable rear wall above countertop.