

48" SIGNATURE SERIES WINE RESERVE (TWO-TEMP)

HP48WW-3 | 48" INDOOR MODEL

Perlick[®]
QUALITY & INNOVATION
THAT **INSPIRES**



All Solid Door Model



All Glass Door Model

GENERAL 48" SIGNATURE SERIES FEATURES

- Perlick's exclusive commercial-grade variable speed compressor
- Front-vented, RAPIDcool forced-air refrigeration system
- Commercial-grade stainless steel interior and exterior
- **Industry Exclusive** convertible door design allows all doors the ability to be converted to wood overlay from stainless steel
- **Industry Exclusive** adjustable, full-extension pull-out shelves
- Stainless-steel ball-bearing glides provide smooth movement of shelves
- Low E, UV-coated glass provides industry leading insulation and protection.
- State-of-the-art digital control module
- Optional door locks and Industry-Exclusive drawer locks (factory installed)
- Stacking kit available
- Also available - Wine Reserve/Wine Reserve (one zone)
- 11 cubic feet of capacity
- Industry Best Three Year Warranty plus additional three years on sealed system

HP48WW-3 FEATURES

- Wine Reserve compartments available with solid stainless steel door, wood overlay door, stainless steel glass door or wood overlay glass door
- Left compartment includes four (4) full-extension wine shelves for storage of 32 bottles (with room below for additional bottles with accessory wine rack)
- Right compartment includes six (6) full-extension wine shelves for storage of 48 wine bottles
- Wine shelves are removeable and adjustable to accommodate oversized (magnum) bottles
- Wine Reserve temperature 40° - 65°F

Form No.HP48WW-3
Rev. 10.14.2014

PRODUCT SPECIFICATIONS

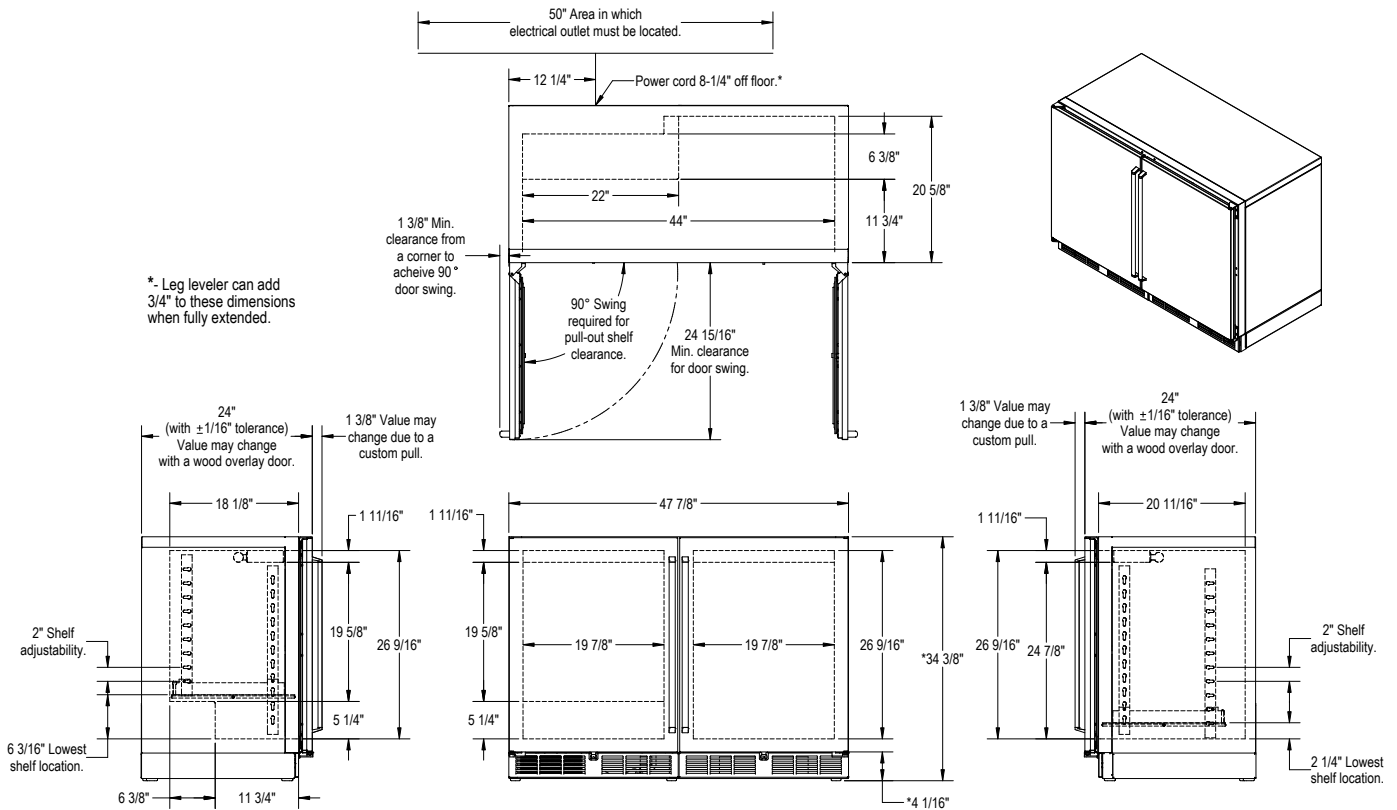
Overall Width	47-7/8" (121.60 cm.)
Overall Height	34-1/4" (86.96 cm.)
Overall Depth	24" (60.96 cm.)
Opening Width	48" (121.92 cm.)
Opening Height	34-3/8" (87.31 cm.)
Opening Depth	24" (60.96 cm.)
Refrigerated Volume	11.1 cu. ft total
Door Swing Clearance	25" (63.50 cm.)
Electrical	115V, 60Hz, 1 Phase, 2.3 amps
Plumbing	None Required
Shipping Weight	332 lbs (150.60 kg.)

48" MODELS

HP48WW-S-3 48" Refrigerator/Wine Reserve

Wine Reserve Door Options

- 1 Solid stainless steel door, hinged left or right
- 2 Solid wood overlay door, hinged left or right
- 3 Stainless steel glass door
- 4 Wood overlay glass door



Form No.HP48WW-3
Rev. 10.14.2014