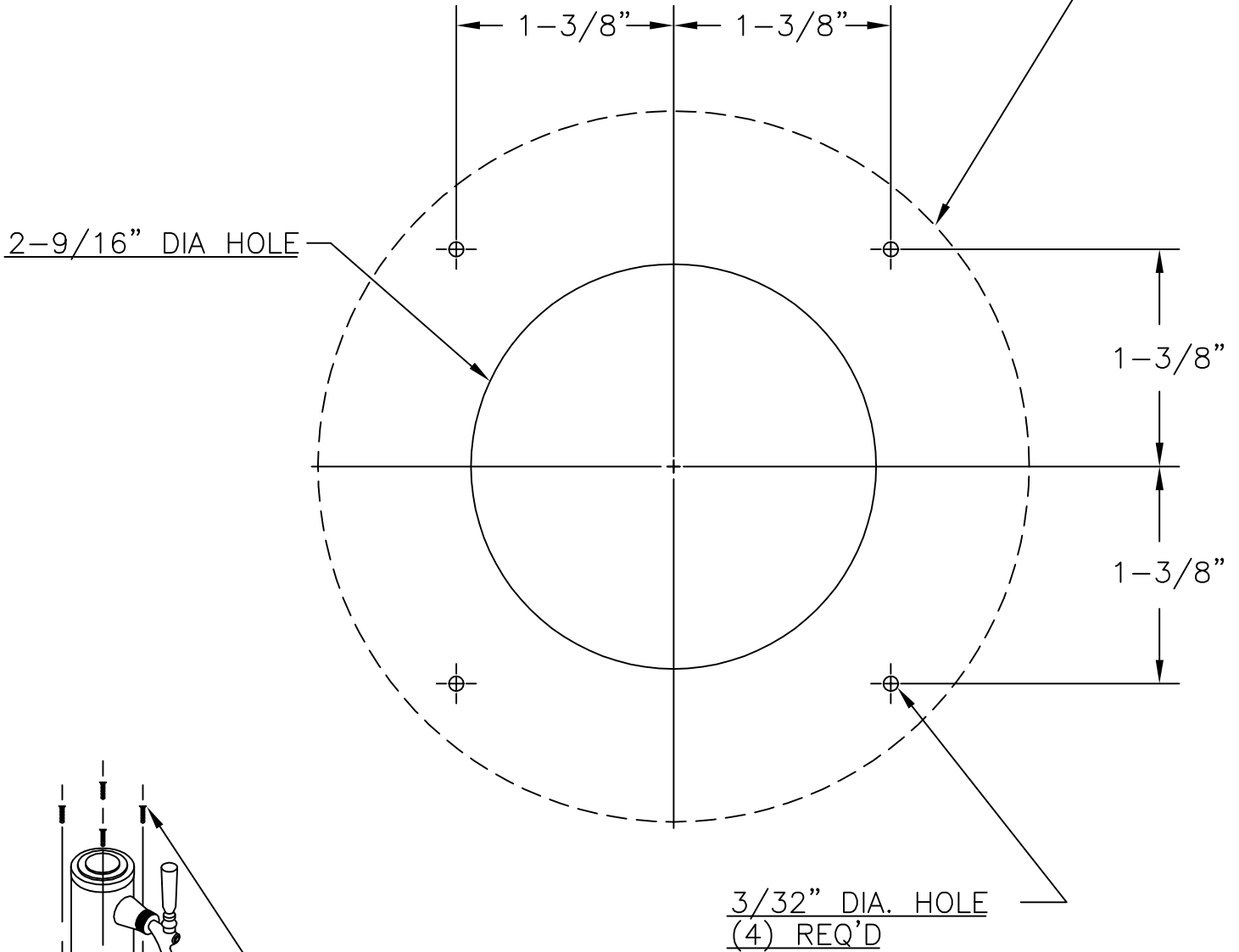


MOUNTING HOLE TEMPLATE FOR DRAFT ARMS

ATTENTION INSTALLERS

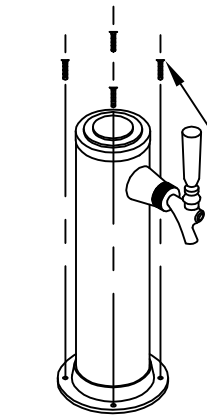
THIS IS A FULL SIZE TEMPLATE.
PLEASE CONFIRM THAT PRINT
DIMENSIONS ARE TO SCALE PRIOR
TO INSTALLATION.

4-1/2" DIA FAUCET
STANDARD BASE



3/32" DIA. HOLE
(4) REQ'D

#8 X 1-1/4" LG
S.M. SCREWS
(4) REQ'D



PERLICK CORPORATION
MILWAUKEE, WI 53223

NOT TO BE USED OR COPIED
DETRIMENTAL TO OUR INTERESTS.

PRINTED

SCALE FULL SIZE
DR. D.Z. DATE 4-1-91

C15522