

15" SIGNATURE SERIES ADARA BEER DISPENSER

HP15TS-3-**A | 15" INDOOR MODEL

Perlick[®]
QUALITY & INNOVATION
THAT **INSPIRES**



Solid Door Model



Adara Signature Beer Tower Detail



GENERAL SIGNATURE SERIES FEATURES

- Zero-clearance hinging allows for abutment with surrounding cabinetry
- Robust front-vented, RAPIDcool forced-air refrigeration system
- Commercial-grade stainless steel interior and exterior
- **Industry Exclusive** convertible door design allows all doors the ability to be converted to wood overlay from stainless steel
- State-of-the-art digital control module
- Optional door locks (factory installed)
- Also available - 15" Refrigerator, Beverage Center, Wine Reserve and Beer Dispenser
- 2.8 cubic feet of capacity
- Industry Best Three Year Warranty plus additional three years on sealed system

HP15TS-3-**A FEATURES

- Available with solid stainless steel door or solid wood overlay door
- Stores (1) 1/6 barrel
- Complete, self-contained beer system
- Portable drainer; no plumbing required
- Low profile coupler for "D" system keg valves included
- Beer Dispenser temperature 33°- 42°F

ADARA TOWER FEATURES

- Sleek European design with soft, curved silhouette
- Chrome tower with matching chrome handle creates a bright and modern monochromatic look
- Comes standard with Perlick's award-winning 650SS Flow Control Beer Faucet
- Tower is air-cooled for consistent temperature from keg to tap



(1) 1/6 barrel

Form No.HP15T-3A
Rev. 05.27.15

PRODUCT SPECIFICATIONS

Overall Width	14-7/8" (37.78 cm.)
Overall Height	34-1/4" (86.96 cm.)
Overall Depth	24" (60.96 cm.)
Opening Width	15" (38.1 cm.)
Opening Height	34-3/8" (87.31 cm.)
Opening Depth	24" (60.96 cm.)
Refrigerated Volume	2.8 cu. ft.
Door Swing Clearance	16" (40.64 cm.) minimum
Electrical	115V, 60Hz, 1 Phase, 2.3 amps
Plumbing	None Required
Annual Energy Usage	280 kWh/yr
Shipping Weight	144 lbs (100.7 kg.)

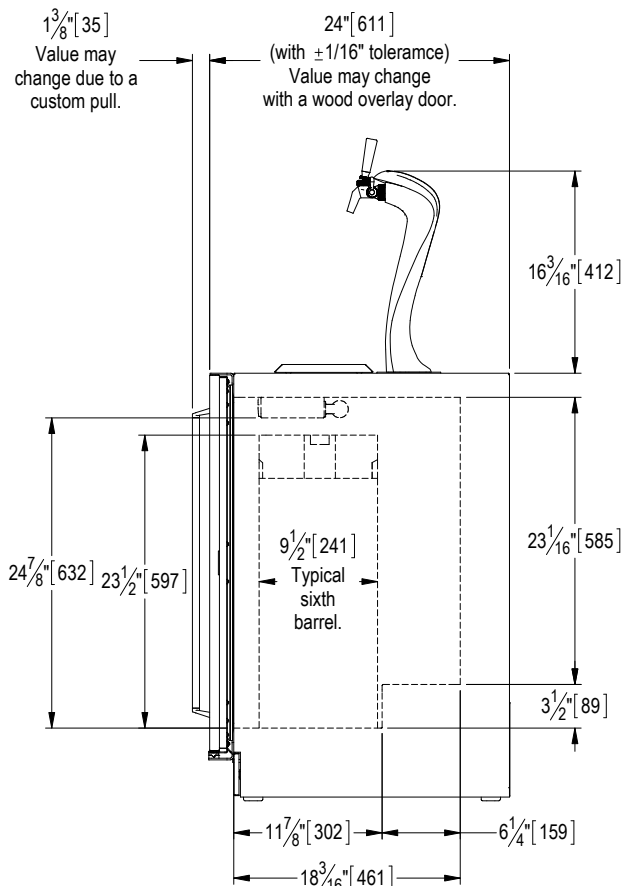
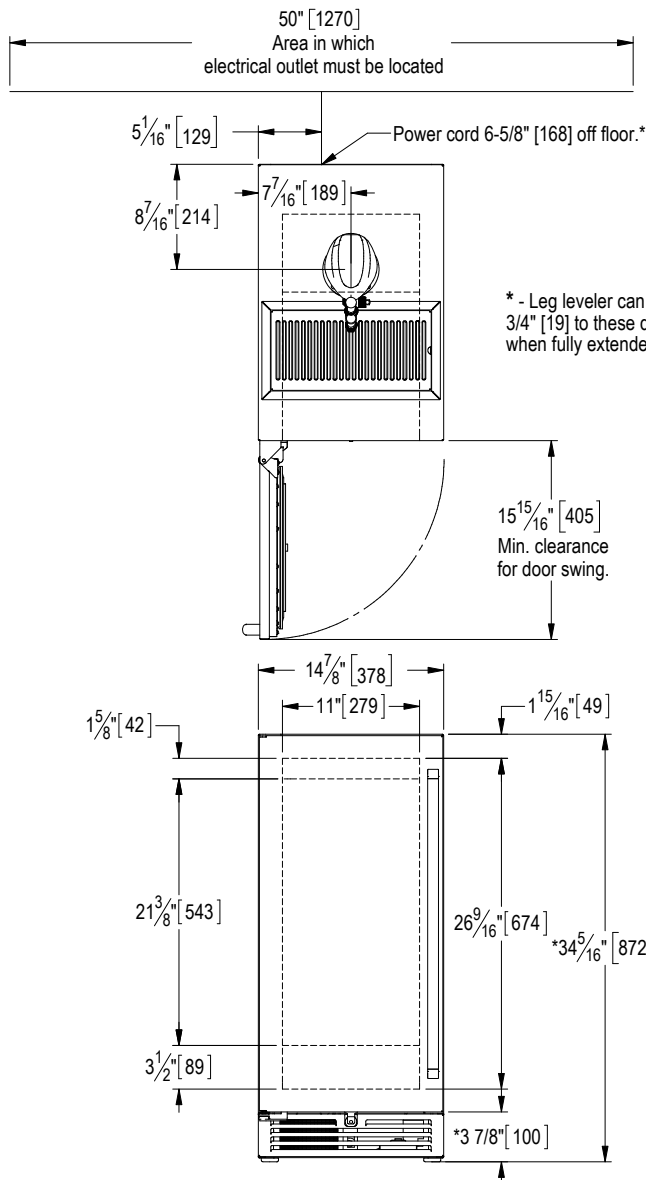
ADARA INDOOR MODELS

SINGLE FAUCET MODELS

HP15TS-3-1LA Solid stainless steel door, hinge left*

HP15TS-3-2LA Solid wood overlay door, hinge left*

* Also available hinge right



Form No. HP15T-3A
Rev. 05.27.15