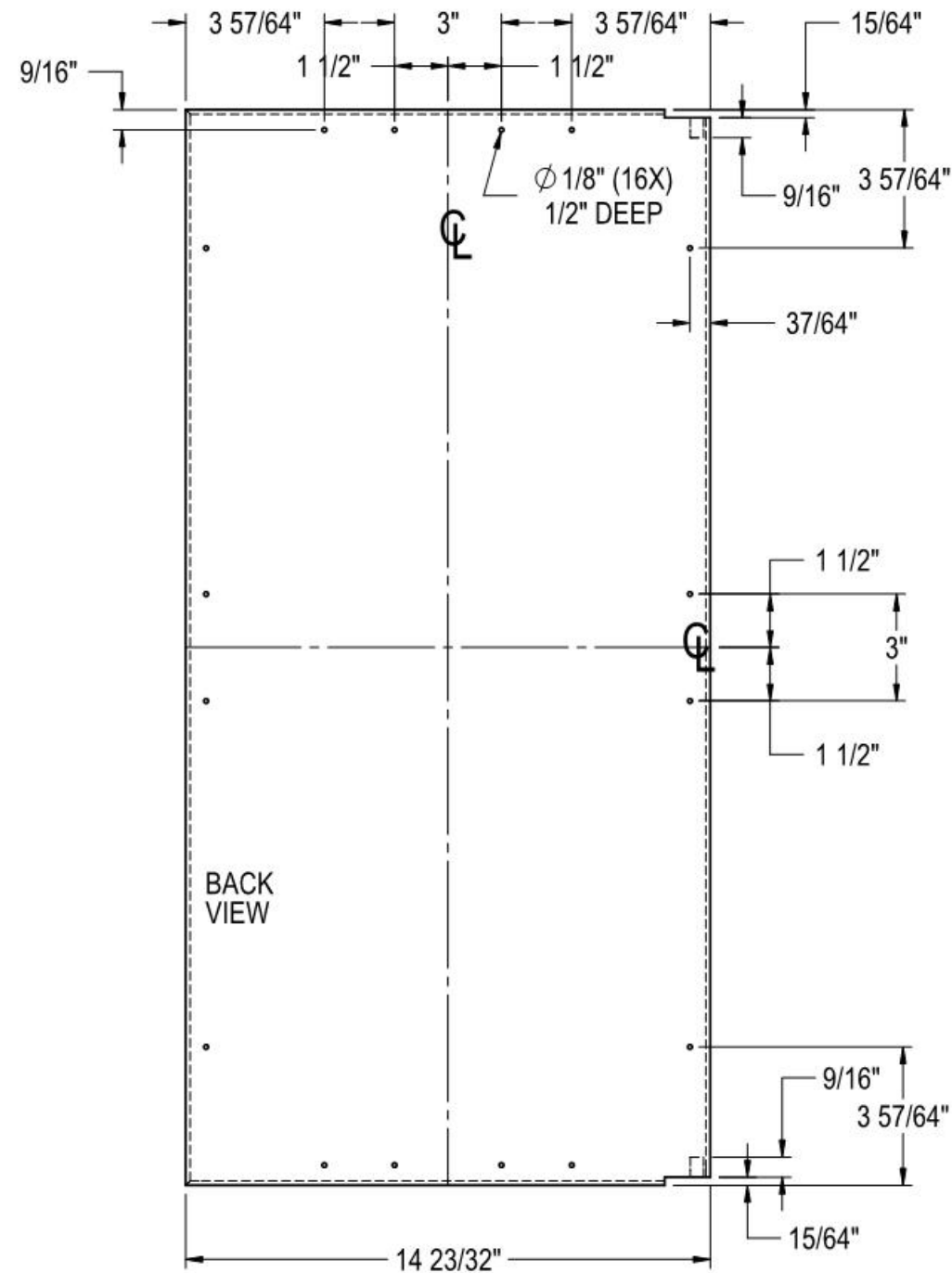
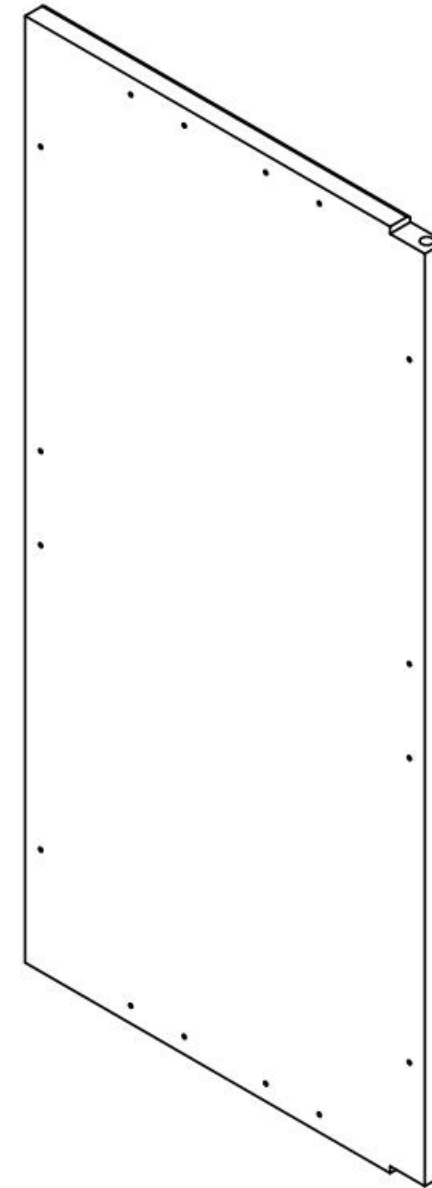


DETAIL L
SCALE 1 : 1



NOTE: THESE PART NUMBERS FIT
DOORS OR DRAWERS ON HP & HC CABINETS
WITH SERIAL NUMBER 664985 OR GREATER.

REVISIONS	

<small>UNLESS OTHERWISE SPECIFIED: DIMENSIONS ARE IN INCHES TOLERANCES: X = ±.05 XX = ±.01 XXX = ±.005 ANGULAR: ±.05, FRACTIONS: ± 1/64 BREAK SHARP EDGES - .015 X 45° RADIUS SHARP FILLETS - .015 TO .031</small>	SIGNATURES	DATE	Perlick Corporation Milwaukee, Wisconsin	
	DESIGNED KS	10/8/09		
	DRAWN DAS	1/4/10	TITLE: SOLID WOOD OVERLAY 15" HP & HC DOOR	
	CHECKED			
MATERIAL: WOOD	QTY.:	FINISH:	REFERENCE:	PART NO.
			PART NO.	DWG NO.
			PURCHASE REC.:	SCALE = 1:5
				SHEET 4 OF 10

THIS DOCUMENT / PUBLICATION / SOFTWARE / DRAWING CONTAINS PROPRIETARY INFORMATION WHICH IS THE PROPERTY OF THE PERLICK CORPORATION. IT MAY NOT BE REPRODUCED OR TRANSMITTED IN ANY FORM, ELECTRONIC OR MECHANICAL, INCLUDING PHOTOCOPYING, RECORDING, OR USED IN ANY INFORMATION STORAGE, TRANSMISSION, OR RETRIEVAL SYSTEM, WITHOUT WRITTEN PERMISSION FROM THE PERLICK CORPORATION. COPYRIGHT 2001 PERLICK CORPORATION. ALL RIGHTS RESERVED.