

HMV3022U
30" Over-the-Range Microwave
300 Series - White



Features and Benefits

- Automatic Defrost determines Power Level and Cooking Time

Capacity

- 1.6 Cu. Ft. Oven Capacity

Efficiency

- Recirculation or Outside Venting Options
- Double Distribution System - 1000W

Convenience

- Timer with Cook Function and Automatic Shut Off
- 30 Watt Lighting for Bright Cooktop Illumination
- Popcorn Program - Get Fully "Popped" Popcorn Simply by Entering the Bag Size
- Reheat Setting Automatically Determines Power Level and Cooking Time



Notes: All height, width and depth dimensions are shown in inches. *Please refer to installation instructions prior to making cutout. BSH reserves the absolute and unrestricted right to change product materials and specifications, at any time, without notice. Consult the product's installation instructions for final dimensional data and other details. Applicable product warranty can be found in a accompanying product literature or you may contact your account manager for further details.

For more information on our entire line of products, go to boschappliances.com or call 1-800-944-2904.
Copyright ©2014 BSH Home Appliances Corporation. All rights reserved. Bosch is a registered trademark of Robert Bosch GmbH.

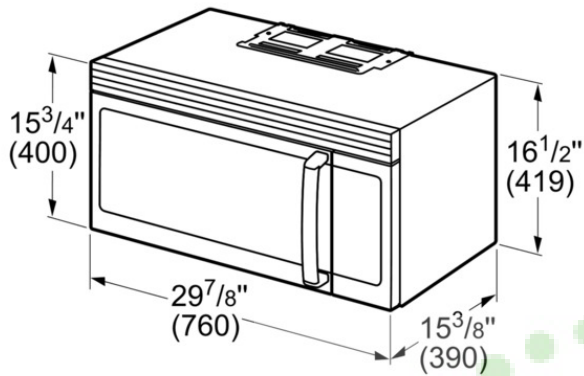
Litho Date: 03/2014



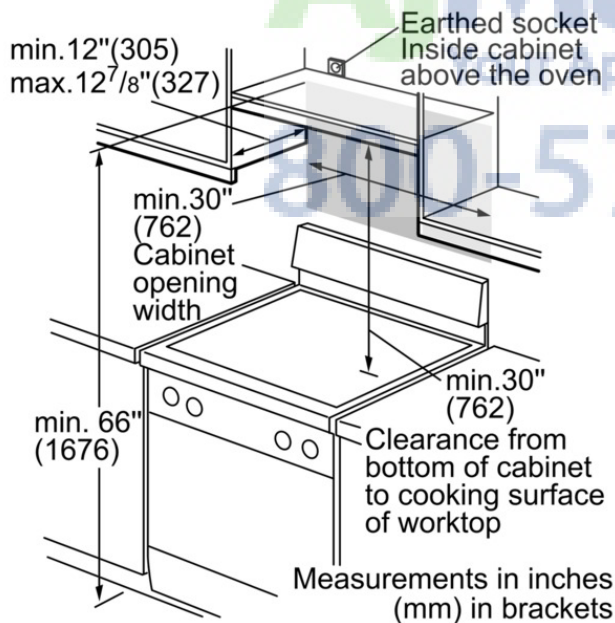
HMV3022U

30" Over-the-Range Microwave

300 Series - White



Measurements in inches
(mm) in brackets



Features

Max. Microwave power (W)	1000
Number of Power Levels	10
Turntable	Yes
Turntable diameter (in)	13 5/8
Heating type	Microwave
Cavity material	Lacquered
Door opening	Handle
Clock / Timer	Yes
Max. extraction rate (CFM)	300
Maximum output recirculating air	
Ventilation Power Levels	2
Type of Filter	
Type of lights	Bulb
Number of lights	2
Included accessories	

Technical Specification

UPC code	825225908791
Product color	White
Alternative colors available	
Watts (W)	1550
Current (A)	15
Volts (V)	120
Frequency (Hz)	60
Approval certificates	UL
Power Cord Length	40"
Plug type	120V-3 prong
Required cutout size (HxWxD) (in)	30" x 30" x 12"-12 7/8"
Overall appliance dimensions (HxWxD) (in)	16 1/2" x 29 7/8" x 15 3/8"
Product packaging dimensions (HxWxD) (in)	20.07 x 33.26 x 19.29
Net weight (lbs)	54
Gross weight (lbs)	62

Notes: All height, width and depth dimensions are shown in inches. *Please refer to installation instructions prior to making cutout. BSH reserves the absolute and unrestricted right to change product materials and specifications, at any time, without notice. Consult the product's installation instructions for final dimensional data and other details. Applicable product warranty can be found in a accompanying product literature or you may contact your account manager for further details.

For more information on our entire line of products, go to boschappliances.com or call 1-800-944-2904.
Copyright ©2014 BSH Home Appliances Corporation. All rights reserved. Bosch is a registered trademark of Robert Bosch GmbH.

Litho Date: 03/2014

