

Installation

INSTRUCTIONS

Thermador Masterpiece[®] Under Cabinet Drawer Hood



Installation

INSTRUCTIONS

Thermador Masterpiece® Under Cabinet Drawer Hood

Table of Contents (English) 3
Table de Matières (Français) 20
Índice de Materias (Español).....38

**Models |
Modèles |
Modelos:**

HMDW30WS
HMDW36WS



Table of Contents

Safety4
 Important Safety Instructions 4
 Advance Planning 7
 Before You Begin 7
 General Information 8
 Installation Preparation..... 9
 Installation Considerations 9
 Electrical Requirements 10
 Common Ducting Configurations..... 12
 Hood Transition 12
 Installation Instructions..... 13
 Kitchen Cabinet Preparation..... 14
 Blower Housing Installation..... 14
 Electrical Connection 16
 Remote Control Installation (optional)..... 17
 Recirculating Kit (optional)..... 18
 Charcoal Filter Replacement (optional)..... 18
 Installer Checklist and Service 19
 Installer Checklist 19
 Before Calling Service 19
 Product Data Rating Plate 19

Safety Definitions

⚠ WARNING

This indicates that death or serious injuries may occur as a result of non-observance of this warning.

⚠ CAUTION

This indicates that minor or moderate injuries may occur as a result of non-observance of this warning.

NOTICE: This indicates that damage to the appliance or property may occur as a result of non-compliance with this advisory.

Note: This alerts you to important information and/or tips.

This THERMADOR® appliance is made by
 BSH Home Appliances Corporation
 1901 Main Street, Suite 600
 Irvine, CA 92614

Questions?

1-800-735-4328

www.thermador.com

We look forward to hearing from you!



IMPORTANT SAFETY INSTRUCTIONS READ AND SAVE THESE INSTRUCTIONS

INSTALLER: Save these instructions for the local electrical inspector's use. Please leave these instructions with this unit for the owner. Show the owner the location of the circuit breaker or fuse. Mark it for easy reference.

OWNER: Please retain these instructions for future reference.

WARNING

If the information in this manual is not followed exactly, fire or shock may result causing property damage or personal injury.

WARNING



If the information in this manual is not followed exactly, fire or shock may result causing property damage, personal injury or death.

- DO NOT store or use gasoline or other flammable vapors and liquids in the vicinity of this or any other appliance.
- WHAT TO DO IF YOU SMELL GAS
 - DO NOT try to light any appliance.
 - DO NOT touch any electrical switch.
 - DO NOT use any phone in your building.
 - Immediately call your gas supplier from a neighbor's phone. Follow the gas supplier's instructions.
 - If you cannot reach your gas supplier, call the fire department.
- Installation and service must be performed by an authorized servicer, service agency or the gas supplier.

WARNING

Turn off power circuit at service panel and lock out panel before wiring this appliance. Requirement: 120 VAC, 60 Hz 15 A. Allow the appliance to cool after the power has been turned off before servicing the appliance.

WARNING

Automatically Operated Device

To reduce the risk of injury disconnect from power supply before servicing.

WARNING

TO REDUCE THE RISK OF FIRE, ELECTRIC SHOCK, OR INJURY TO PERSONS, OBSERVE THE FOLLOWING:

- Use this unit only in the manner intended by the manufacturer. If you have questions, contact the manufacturer at the address or telephone number listed on the back page.
- Before servicing or cleaning unit, switch power off at service panel and lock the service disconnecting means to prevent power from being switched on accidentally. When the service disconnecting means cannot be locked, securely fasten a prominent warning device, such as a tag, to the service panel.

WARNING

DO NOT repair or replace any part of the appliance unless specifically recommended in the manuals. Improper installation, service or maintenance can cause injury or property damage. Refer to this manual for guidance. All other servicing should be done by an authorized servicer.

WARNING



ELECTRICAL SHOCK HAZARD

- DO NOT remove connections.
- DO NOT use an extension cord.
- Failure to follow these instructions can result in death, fire, or electrical shock.



IMPORTANT SAFETY INSTRUCTIONS

READ AND SAVE THESE INSTRUCTIONS

Grounding Instructions

WARNING

Improper grounding can result in a risk of electric shock.

This appliance must be grounded. In the event of an electrical short circuit, grounding reduces the risk of electric shock by providing an escape wire for the electric current.

Be sure your appliance is properly installed and grounded by a qualified technician. Installation, electrical connections and grounding must comply with all applicable codes.

If required by the National Electrical Code (or Canadian Electrical Code), this appliance must be installed on a separate branch circuit.

WARNING

To reduce the risk of fire or electrical shock, **DO NOT** use this appliance with any solid state speed device.


Safety Codes and Standards

This appliance complies with one or more of the following Standards:

- UL 507, The Standard for the Safety of Electric Fans
- CSA C22.2 No. 113, Fans and Ventilators

It is the responsibility of the owner and the installer to determine if additional requirements and/or standards apply to specific installations.

CAUTION

 Unit is heavy and requires at least two people or proper equipment to move and install.

Hidden surfaces may have sharp edges. Use caution when handling the appliance. Failure to do so may result in property damage or personal injury.

WARNING

State of California Proposition 65 Warnings:
This product can expose you to chemicals including vinyl chloride, which is known to the State of California to cause cancer and birth defects or other reproductive harm. For more information go to www.P65Warnings.ca.gov.

Never modify or alter the construction of the appliance. For example, do not remove panels, wire covers or brackets/screws.

CAUTION

For general ventilating use only. **DO NOT** use to exhaust hazardous or explosive materials and vapors.

WARNING

To reduce the risk of fire, use only metal ductwork.

Use a qualified installer.

Remove all tape and packaging before using the appliance. Destroy the packaging after install. Never allow children to play with packaging material.

WARNING

TO REDUCE THE RISK OF FIRE, ELECTRIC SHOCK, OR INJURY TO PERSONS, OBSERVE THE FOLLOWING:

- Installation work and electrical wiring must be done by qualified person(s) in accordance with all applicable codes and standards, including fire-related construction.
- Sufficient air is needed for proper combustion and exhausting of gases through the flue (chimney) of fuel burning equipment to prevent back drafting. Follow the heating equipment manufacturer's guideline and safety standards such as those published by the National Fire Protection Association (NFPA), and the American Society for Heating, Refrigeration and Air Conditioning Engineers (ASHRAE), and the local code authorities.
- When cutting or drilling into wall or ceiling, do not damage electrical wiring and other hidden utilities.
- Ducted fans must always be vented to the outdoors.



IMPORTANT SAFETY INSTRUCTIONS

READ AND SAVE THESE INSTRUCTIONS

WARNING

TO REDUCE THE RISK OF A RANGE TOP GREASE FIRE:

- Never leave surface units unattended at high settings. Boilovers cause smoking and greasy spillovers that may ignite. Heat oils slowly on low or medium settings.
- Always turn hood ON when cooking at high heat or when cooking flambéing food (i.e. Crepes Suzette, Cherries Jubilee, Peppercorn Beef Flambe).
- Clean ventilating fans frequently. Grease should not be allowed to accumulate on fan or filter.
- Use proper pan size. Always use cookware appropriate for the size of the surface element.

WARNING

TO REDUCE THE RISK OF INJURY TO PERSONS IN THE EVENT OF A RANGE TOP GREASE FIRE, OBSERVE THE FOLLOWING:^a

- SMOTHER FLAMES with a close fitting lid, cookie sheet, or metal tray, then turn off the burner. BE CAREFUL TO PREVENT BURNS. If the flames do not go out immediately, EVACUATE AND CALL THE FIRE DEPARTMENT.
- NEVER PICK UP A FLAMING PAN - you may get burned.
- DO NOT USE WATER, including wet dishcloths or towels - a violent steam explosion will result.
- Use an extinguisher ONLY if:
 - a) You know you have a class ABC extinguisher, and you already know how to operate it.
 - b) The fire is small and contained in the area where it started.
 - c) The fire department is being called.
 - d) You can fight the fire with your back to an exit.

^aBased on "Kitchen Fire Safety Tips" published by NFPA.

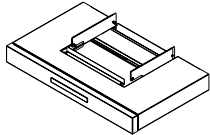
Advance Planning

Before You Begin

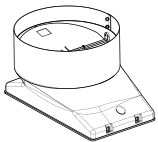
⚠ CAUTION

Before installing, turn power OFF at the service panel. Lock service panel to prevent power from being turned ON accidentally.

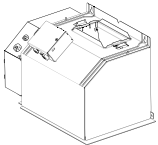
Parts Included



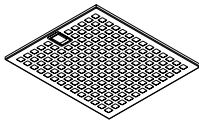
Hood assembly (lamps and blower already installed)



6" Air transition



Blower housing



Grease filters



Fastener assortment*

* Hardware provided is for mounting through standard thickness drywall or plaster into wood studs. Installers are responsible to provide hardware for other types of mounting situations.

Tools and Parts Needed

- Ducting as needed (refer to Equivalent Duct Lengths for Commonly Used Transitions Table)
- Aluminum tape (DO NOT use duct tape)
- 1/2" (13 mm) Conduit if required (follow local codes)
- 1" (25.4 mm) Strain relief
- Ducting as needed
- Flat head and Phillips screwdrivers
- Drill with 3/16" (4.76 mm) drill bit
- Circular saw or jigsaw
- 3/8" (9.52 mm) nut driver or socket and ratchet
- Wire stripper
- Protective work gloves

IMPORTANT: DO NOT throw away any packaging until appliance is fully installed.

Optional accessories available for separate purchase.

Refer to www.thermador.com for more details.

- RECHMDW30 – Recirculating Kit 30" model
- RECHMDW36 – Recirculating Kit 36" model
- CHFHMDW30 – Charcoal Filter Replacement Kit 30" model
- CHFHMDW36 – Charcoal Filter Replacement Kit 36" model

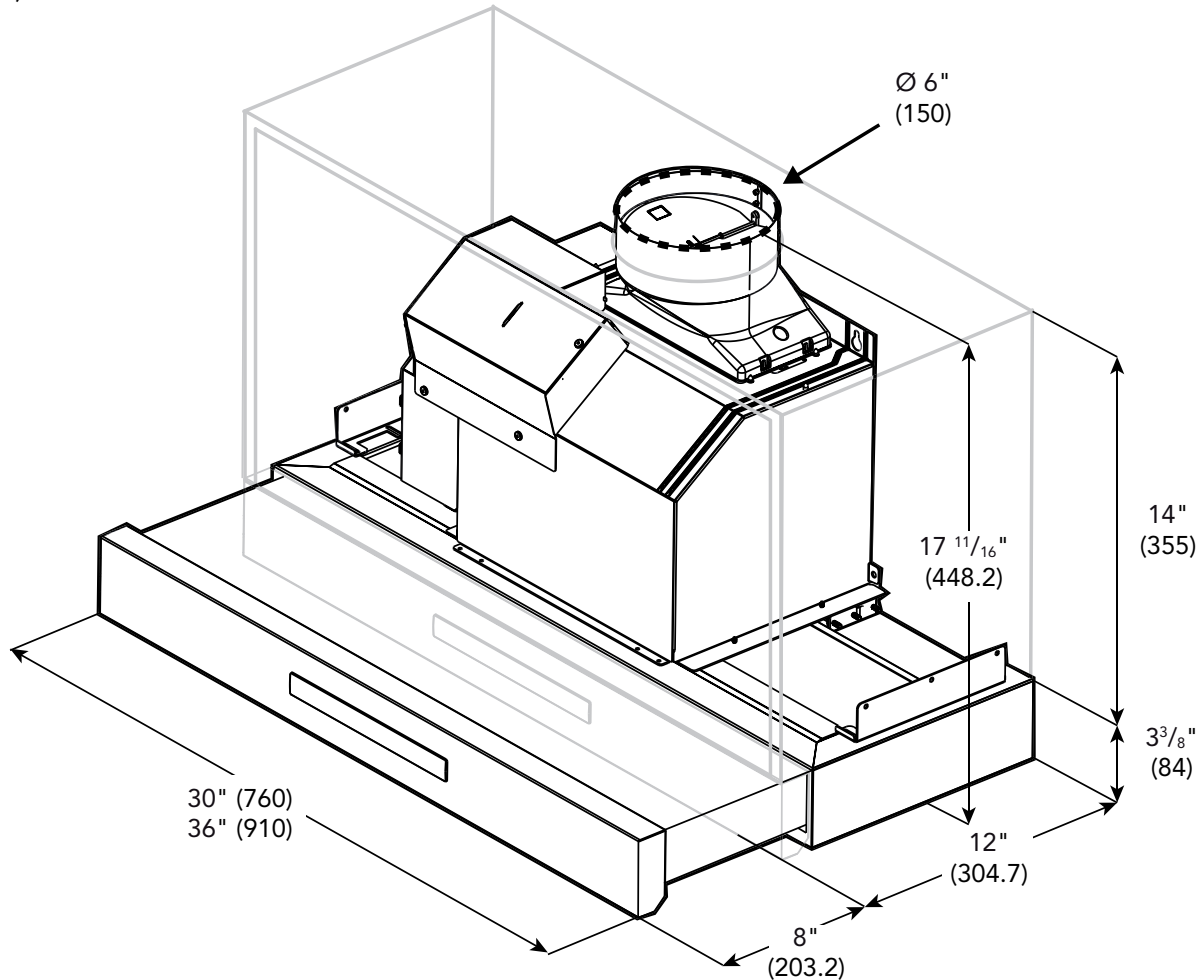
General Information

Overall Dimensions

HMDW30WS & HMDW36WS

This model series is 20" (508 mm) in depth with the open drawer or 12" (305 mm) with the closed drawer, with widths of 30" (762 mm) and 36" (914 mm). Features brushed stainless-steel canopy with LED lights.

inches (mm)



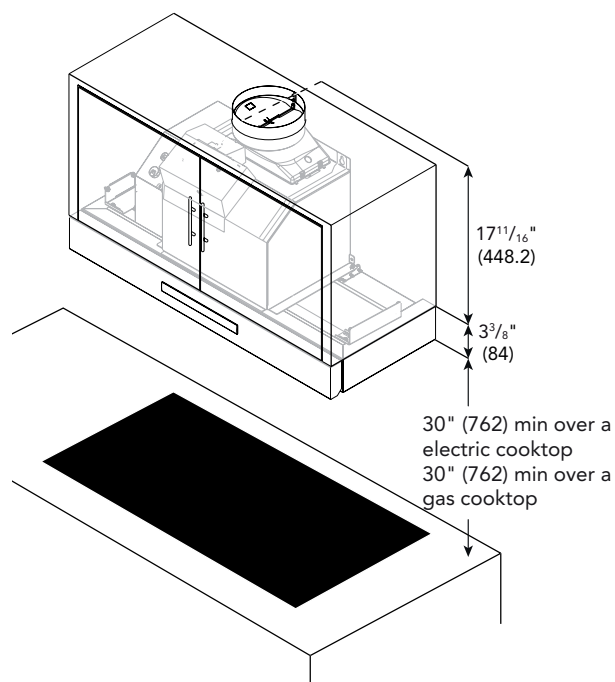
NOTE: Transition is centered horizontally.

Installation Preparation

Installation Considerations

Clearances and requirements

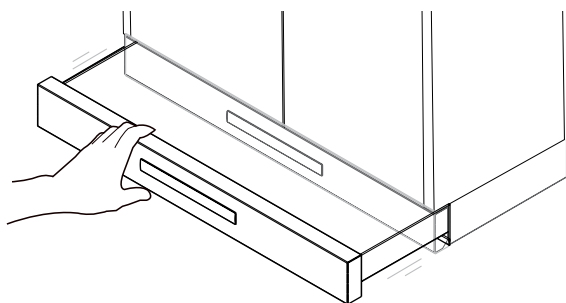
Hood installation height above a cooktop, rangetop or range can vary. To obtain the necessary installation height above a cooktop, rangetop or range, consult the appliance's installation manual.



Hood Width

The hood width should be no less than the width of the cooking surface. For proper performance, the housing must cover the entire cooking surface. Where space is not restricted, a wider hood can be used to increase capture area.

You can elongate 8" (203 mm) the front of the aspiration area, by pulling out the hood drawer.



For proper performance, the hood must be centered horizontally above the cooking surface.

Distance From Cooking Surface

For gas cooktop & range installations: Mount the hood so the bottom is at least 30" (76.2 cm) above the cooking surface.

For electric/induction cooktop & range installations: Mount the hood so the bottom is at least 30" (76.2 cm) above the cooking surface.

NOTICE: The hood could incur some damage from heat if a THERMADOR MASTERPIECE® series cooktop is operated with multiple burners at high settings under a hood that is installed at minimum clearances.

Unit Weight

This vent hood is heavy. Adequate structure and support must be provided in all types of installations. When calculating the load for the housing support system, be sure to consider the weight of the ventilation unit.

Unit	Weight
30" (76 cm)	50.7 lb (23 kg)
36" (91 cm)	55.1 lb (25 kg)

IMPORTANT:

The supplied weights address only the ventilation unit and blower. Installer must account for weight of any materials of construction when calculating the total dead weight load of installation, including but not limited to: wall, tile, mortar, plaster, brick, finishes, partitions, and other similarly incorporated architectural and structural items. It is the responsibility of the owner and the installer to determine if additional requirements and/or standards apply to specific installations.

Electrical Requirements

The unit requires a 120V AC, 60Hz, 15A branch circuit.

The hood should only be connected to a dedicated circuit (with ground) that has been installed according to relevant regulations.

Check your local building codes for proper method of installation. In the U.S., if there are no applicable local codes, this unit should be installed in accordance with the National Electric Code ANSI/NFPA No. 70, Current Issue. In Canada, installation must be in accordance with the CAN 1- B149.1 and .2 - Installation Codes for Gas Burning Appliances and/or local codes.

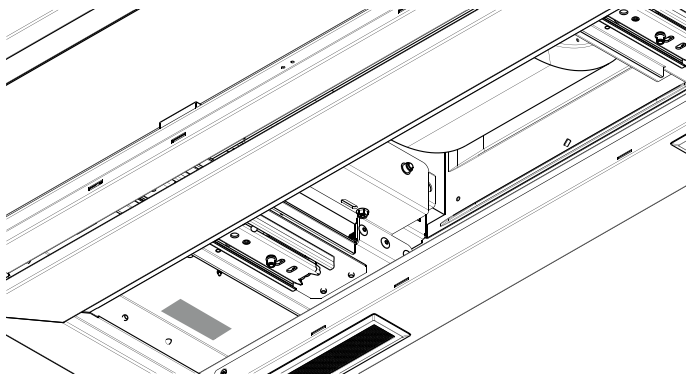
The appliance must be grounded. In the event of an electrical short circuit, grounding reduces the risk of electric shock by providing a wire that allows the electric current to escape.

WARNING

The appliance must be grounded.

Electrical Data on the Data Rating Label

Data, including the model and serial number, is located on the product data rating label inside the appliance, visible after removal of the filter frame.



Ductwork Preparation

Discharge Direction

The exhaust air is discharged upwards through a duct. The hood can be mounted only with a vertical discharge.

Ducting Recommendations

Proper performance is dependent upon proper ducting. Local building codes may require the use of make-up air systems when using ducted ventilation systems greater than specified cubic feet per minute (CFM) of air movement. The specified CFM varies from locale to locale. It is the responsibility of the owner and the installer to determine if additional requirements and/or standards apply to specific installations.

DO NOT USE FLEXIBLE DUCT; it creates back pressure/air turbulence and reduces performance. Always use metal ductwork.

Always install a metal vent cover where the ductwork exits the house. Hood must be vented to the outside of building only.

COLD WEATHER installations should have an additional backdraft damper installed to minimize backward cold air flow and a nonmetallic thermal break to minimize conduction of outside temperatures as part of the ductwork. The damper should be on the cold air side of the thermal break. The break should be as close as possible to where the ducting enters the heated portion of the house.

MAKE-UP AIR: Local building codes may require the use of make-up air systems when using ducted ventilation systems greater than specified CFM of air movement. The specified CFM varies from locale to locale. It is the responsibility of the owner and the installer to determine if additional requirements and/or standards apply to specific installations.

For safety reasons, ducting should vent directly outdoors (not into an attic, underneath the house, into the garage or into any enclosed space).

THERMADOR® recommends not exceeding 50 equivalent length (ft) (15.24 m) of duct.




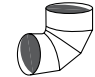
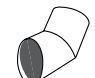
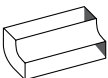
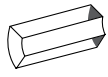

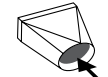
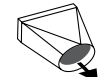
Keep duct runs as short and straight as possible. Elbows and transitions fittings reduce air flow efficiency. Back to back elbows and "S" turns give very poor delivery and are not recommended.

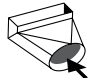
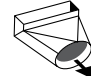
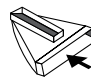
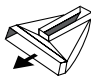




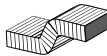

A short straight length of duct at the inlet of a remote blower gives the best delivery.

Hoods are supplied with a 6" (152 mm) round transition. A locally supplied transition is required for other sizes.

Use "Equivalent Duct Lengths for Commonly Used Transitions" to compute permissible lengths for duct runs to outdoors.

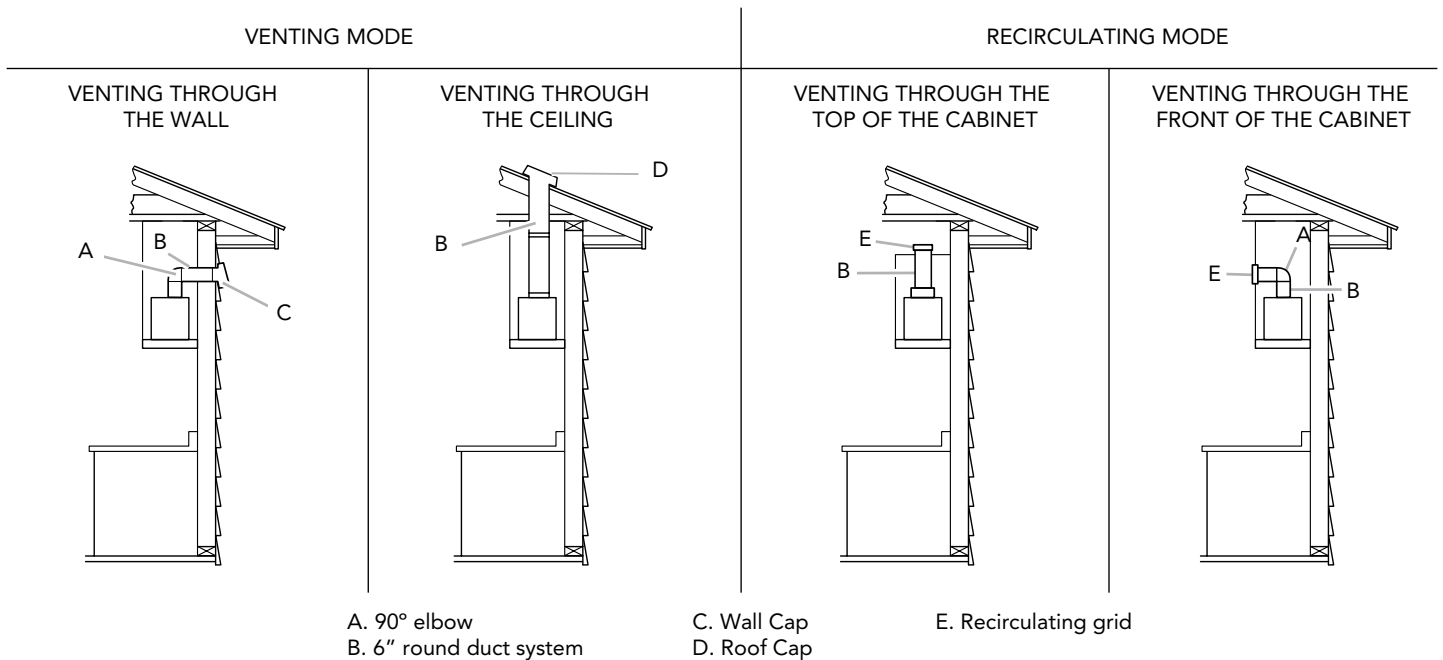
Equivalent Duct Lengths for Commonly Used Transitions

Duct Piece	Size (in)	Equivalent Length (ft)
 Smooth, straight	6	1.2
	8	0.7
	10	0.6
 3 1/4" x 10", straight	N/A	1
 3 1/4" x 14", straight	N/A	0.7
 90° elbow, round	6	12
	8	6
	10	5
 45° elbow, round	6	5
	8	3
	10	2
 3 1/4" x 10", 90° elbow, round	N/A	5
 3 1/4" x 10", 45° elbow, round	N/A	15
 3 1/4" x 10", Flat elbow	N/A	20
 Round to 3 1/4" x 10"	6	1
	8	10
 3 1/4" x 10" to round	6	5
	8	2

Duct Piece	Size (in)	Equivalent Length (ft)
 Round to 3 1/4" x 10" 90° elbow,	6	10
 3 1/4" x 10" to round 90° elbow,	6	10
 3 1/4" x 10" Center reverse elbow, left	N/A	15
 3 1/4" x 10", Center reverse elbow, right	N/A	25
 3 1/4" x 10", Left reverse elbow	N/A	15
 3 1/4" x 10", Right reverse elbow	N/A	25
 Round wall cap	6	2
	8	2
	10	2
 Round roof cap	6	2
	8	2
	10	2
 2' long, 3 1/4" x 10" flex	N/A	20
 3 1/4" x 10", Roof jack and shutter	N/A	2

NOTE: These commonly used installation parts can be purchased at a local hardware store. Thermador does not manufacture all these parts.

Common Ducting Configurations



NOTE: The figure does not represent all configurations or installation methods. The image is to be used as a guide ONLY.

Venting Methods

This hood is factory set for venting through the roof (vertical discharge) or wall (horizontal discharge). A 6" (152 mm) round duct system is needed for installation (not included).

NOTE: Flexible duct is not recommended. Flexible ductwork creates back pressure and air turbulence that greatly reduce performance.

Vent system can terminate either through the roof or wall.

Always install a metal vent cover where the ductwork exits the house.

For Non-Vented (recirculating) Installations

If it is not possible to vent cooking fumes and vapors to the outside, this range hood can be used in the non-vented (recirculating) version, using the recirculating kit (sold separately). Fumes and vapors are recycled through the grid.

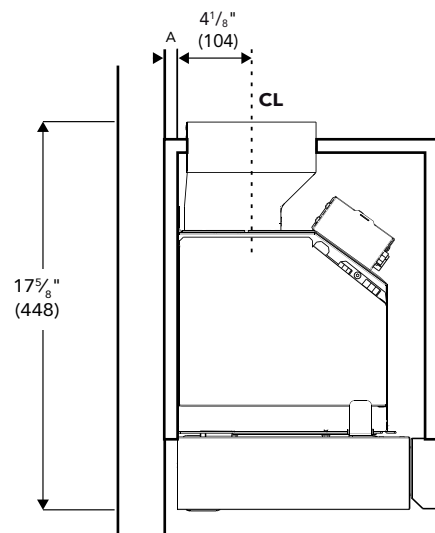
See optional accessories section.

Hood Transition

Vertical Discharge Transition

The hood is shipped ready for vertical discharge.

The transition supplied with the hood connects to standard 6" (152 mm) round duct. The figure shows the transition connected for vertical discharge.



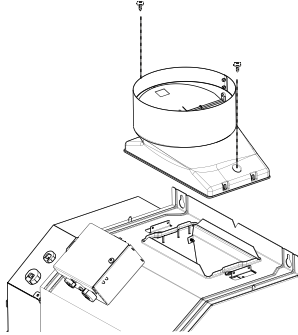
A. Cabinet rear wall material thickness

Installation Instructions

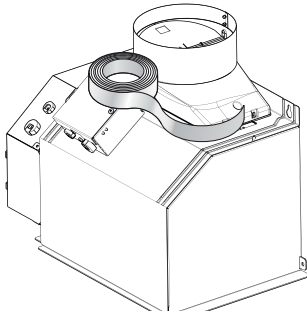
Assembly of the Transition

A minimum height clearance of 4 5/16" (110 mm) is needed above the hood for transition mounting. See "General Information" on page 8 for overall hood dimensions.

1. Depending on direction of discharge, align mounting holes at base of transition with the mounting holes on the top of the hood.
2. Fasten transition to hood using two (2) 1/4" (6 mm) sheet metal screws included with hood.



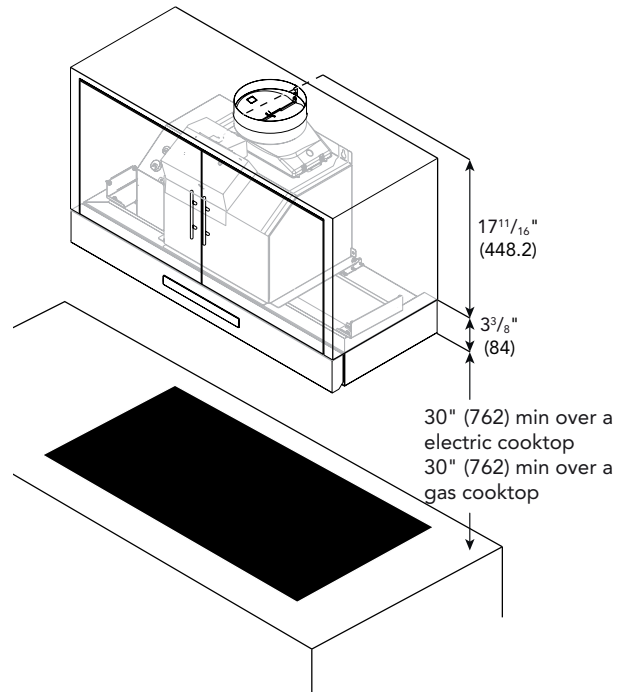
3. Seal connection between transition and hood with aluminum tape. **DO NOT** use duct tape. Ensure that the connection is completely sealed.



4. Remove tape holding damper closed.

Installation

Determine installation height



The figure above indicates a typical installation of the hood. An optional recirculating kit may be purchased.

For gas cooktop & range installations: Mount the hood so the bottom is at least 30" (76.2 cm) above the cooking surface.

For electric/induction cooktop & range installations: Mount the hood so the bottom is at least 30" (76.2 cm) above the cooking surface.

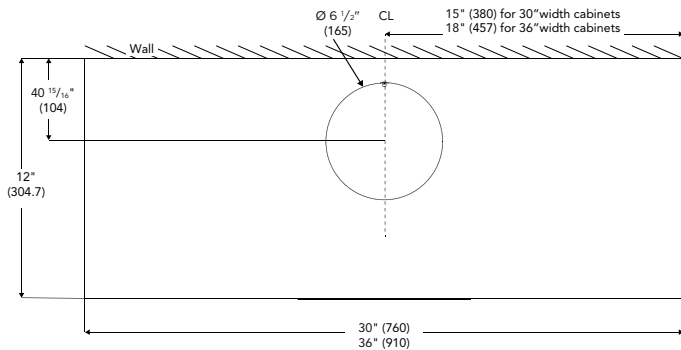
NOTICE: The hood could incur some damage from heat if a THERMADOR MASTERPIECE® series cooktop is operated with multiple burners at high settings under a hood that is installed at minimum clearances.

Kitchen Cabinet Preparation

This hood can be mounted only on 14" (355 mm) height - 12" (305 mm) depth cabinets.

Your kitchen cabinet must be able to support at least 88 lb (40 kg). Due to the weight of the hood, make sure the mounting bracket is attached to all available wall studs.

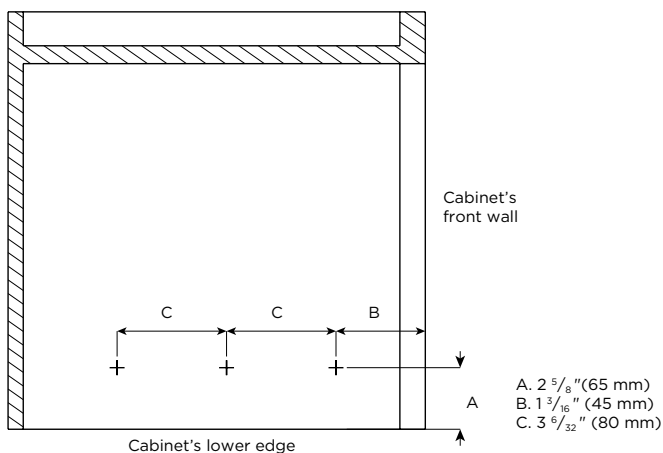
- Use the diagram as a template and mark the locations on the cabinets top for ductwork. It is recommended to make the marks and cuts before the cabinet's installation.



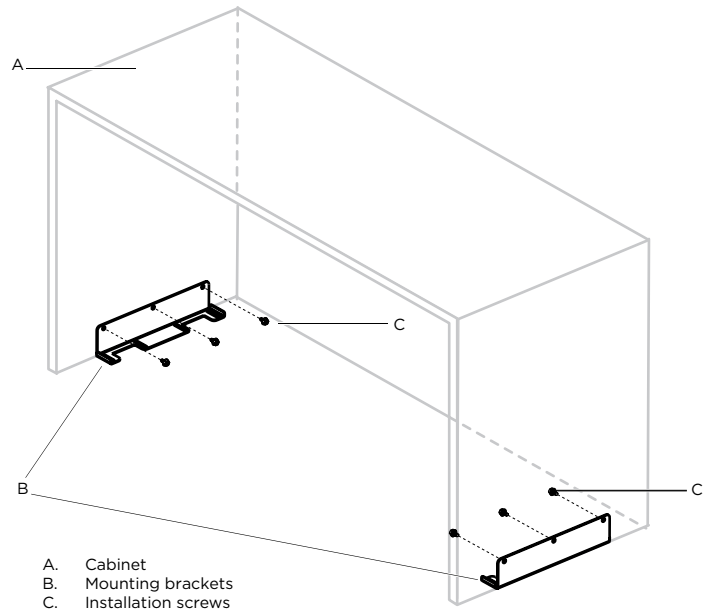
- Use a saber saw or keyhole saw to cut out the cabinet bottom inside the cabinet frame.
- Complete cabinet preparation following the instructions for your type of venting. Determine venting cutout locations and cut out vent openings in the cabinets, walls and/or soffit.

Drawer brackets installation

- Mark with a pencil the 3 locations indicated in the lower diagram in the inside of the cabinet side walls.

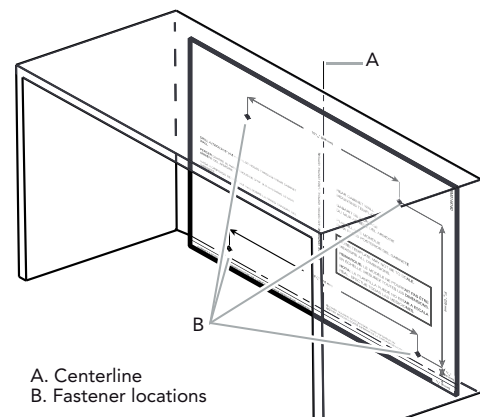


- Place the side brackets on the marks made and secure them with 3 mounting screws.



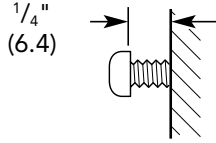
Blower Housing Installation

- Turn power OFF at the service panel. Lock service panel to prevent power from being turned ON.
- Ensure that the installation height of 30" (762 mm) from the bottom of the hood to the cooking surface will be maintained.
- Mark a reference centerline on the cabinets rear wall.
- Tape template in place, aligning the template centerline and the centerline marked on the cabinets rear wall.

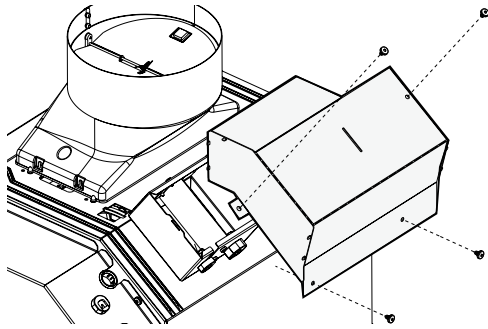


- Mark centers of the fastener locations through the template to the wall.
IMPORTANT: All screws must be installed into wood. If there is no wood to screw into, additional wall framing supports may be required.
- Remove the template.

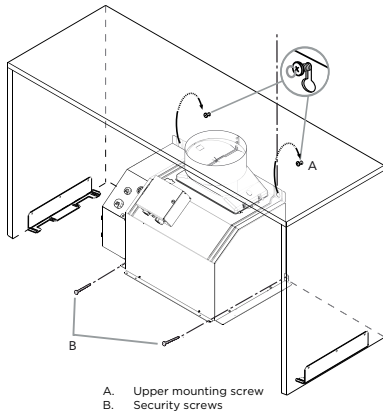
7. Drill $\frac{3}{16}$ " (4.8 mm) pilot holes at all locations where screws are being installed into wood.
8. Install the 2 - 5 x 45 mm mounting screws. Leave a $\frac{1}{4}$ " (6.4 mm) gap between the wall and the back of the screw head to slide hood into place.



9. Remove the electrical box cover to carry out the installation.



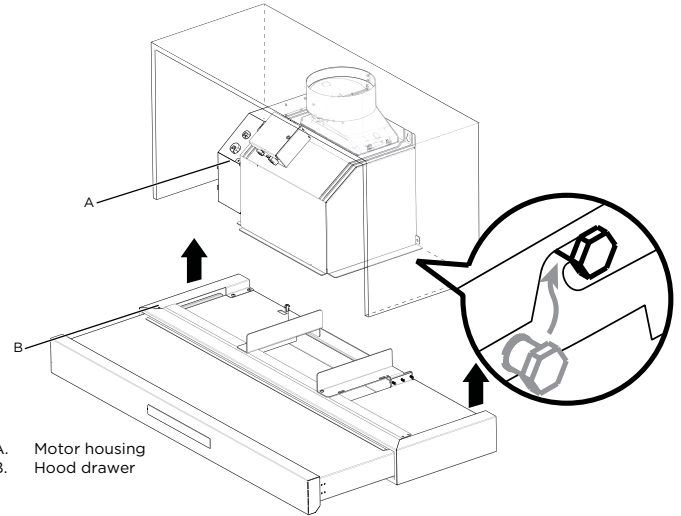
10. Using 2 or more people, hang the blower housing on 2 mounting screws through the mounting slots on back of the hood.
11. Install 2 - 5 x 45 mm lower mounting screws with flat washers and tighten.



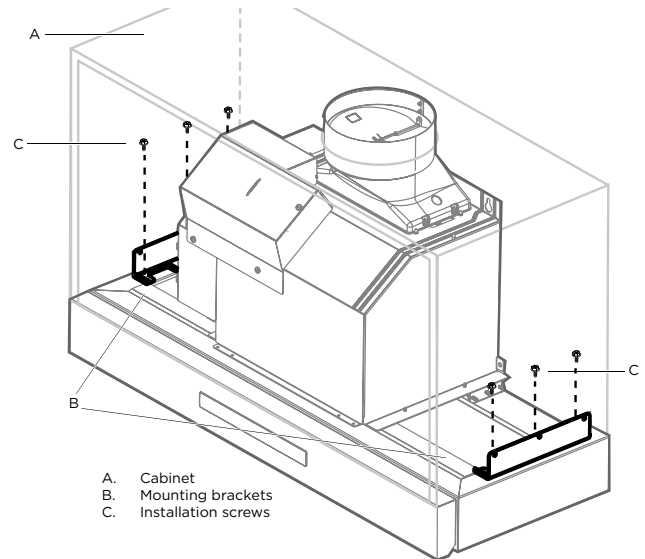
12. Tighten the upper installation screws.

Hood Drawer Mounting

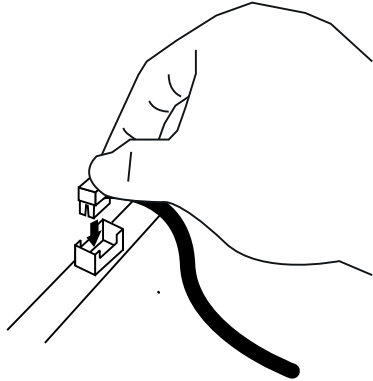
1. Using 2 or more people, lift the hood drawer beneath the motor housing. Insert the hood drawer pins into the housing lower slots. Once the four pins are already inserted, the hood drawer stands hanging.



2. Open the hood drawer and attach the hood assembly to the blower housing. Tighten to secure.
3. Attach the 2 fixing brackets to the drawer with 4 screws of installation. (see image below).
NOTE: Before you tighten the screws, make sure there isn't any gap between the hood assembly and the cabinets bottom edge.

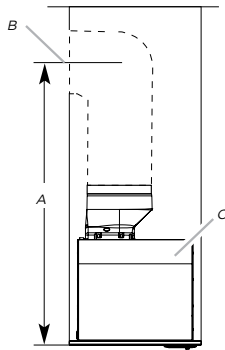


4. Untie the drawer connector and extend it to the upper side of the blower housing.
5. Plug the wire connector assembly supplied with the blower housing to the mating cable connector from the range hood.



Connect Vent System

1. Fit vent system over the exhaust outlet.
2. Measure from the bottom of the air deflector to the bottom of the hood outlet. Cut the ductwork at the measured dimension.



A. Measurement A
B. Horizontal centerline of vent opening
C. Range hood liner

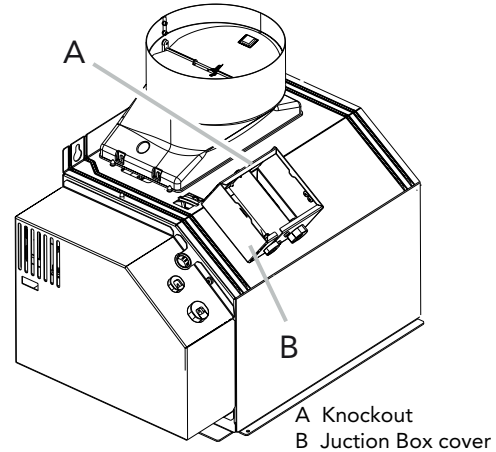
3. Seal connection with clamps.

Electrical Connection

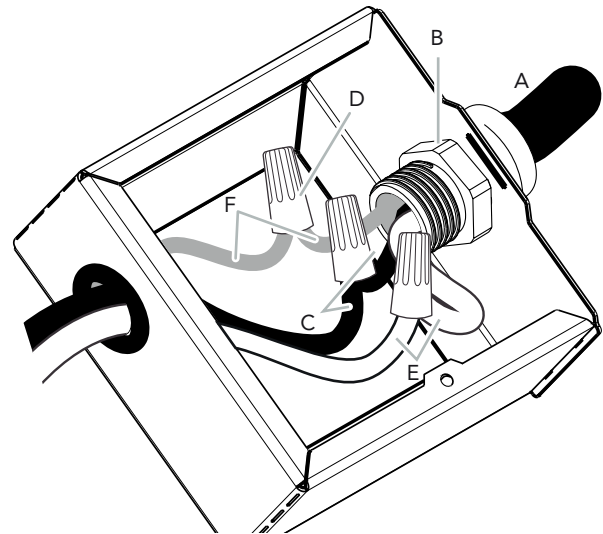
⚠ WARNING

Electrical Shock Hazard
Disconnect power before servicing.
Replace all parts and panels before operating.
Failure to do so can result in death or electrical shock.

- Disconnect power.
- Remove terminal box cover.
- Remove the knockout in the terminal box cover and install a UL listed or CSA approved ½" strain relief.



- Run home power supply cable through strain relief, into terminal box.



- A. Home power supply cable
- B. UL listed or CSA approved strain relief
- C. Black wires
- D. UL listed wire connectors
- E. White wires
- F. Green (or bare) and yellow-green ground wires

- Use UL listed wire connectors and connect black wires (C) together.
- Use UL listed wire connectors and connect white wires (E) together.

⚠ WARNING

Electrical Shock Hazard
Electrically ground blower.
Connect ground wire to green and yellow ground wire in terminal box. Failure to do so can result in death or electrical shock.

- Connect green (or bare) ground wire from home power supply to yellow-green ground wire (F) in terminal box using UL listed wire connectors.
- Tighten strain relief screw.
- Install terminal box cover.
- Reconnect power.

Remote Control Installation (optional)

Before you begin, read these instructions carefully. It is recommended that the Remote Control be wired to the hood after the hood is installed.

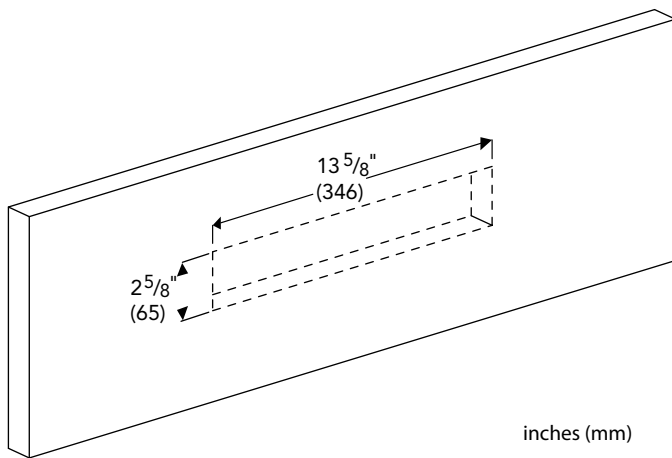
REMCPW Parts Included

- 1 – Remote control
- 1 – 30 ft. extension harness

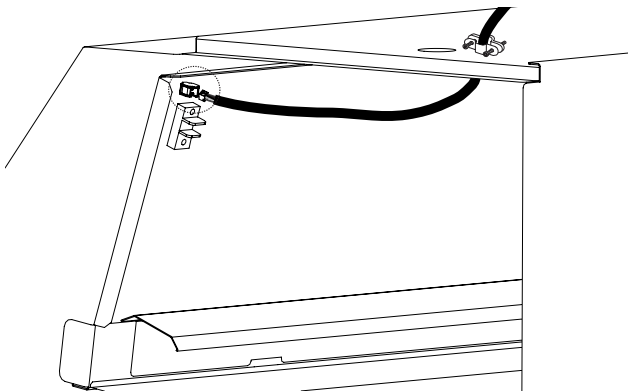
IMPORTANT: Cutting off a connector to the appliance or to the extension cable kit will void the warranty.

Remote Control Installation

4. Prepare the wall (or similar surface) cutout for installation as shown below (view is shown facing wall)

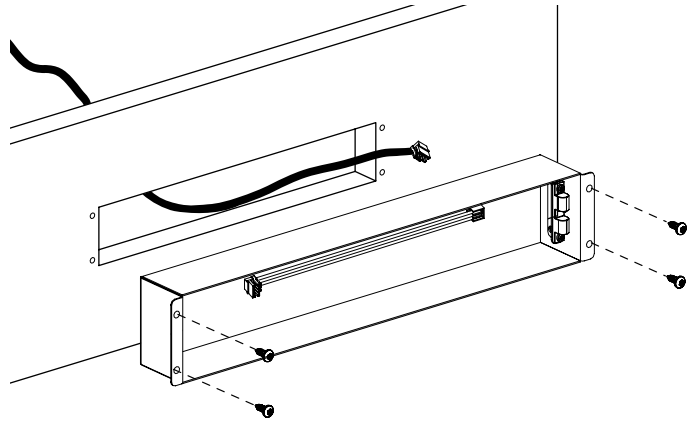


5. Access the hood's wiring. Route the 30 ft. extension harness through the strain relief to the square mounting clip until it clicks.

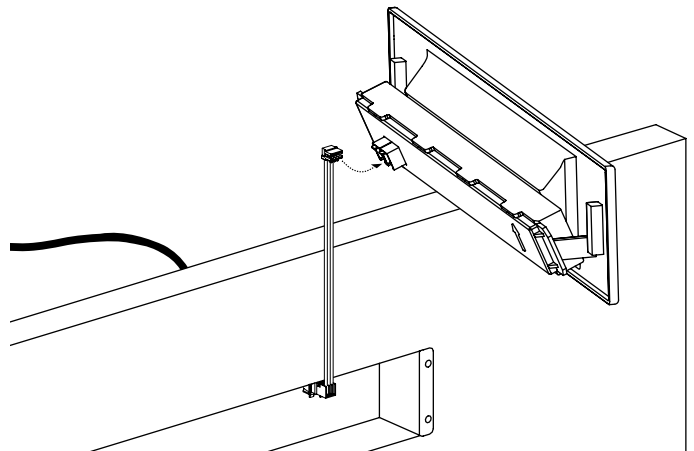


6. Route the 30 ft extension harness through the cutout and connect the harness to the back of the remote control bracket.

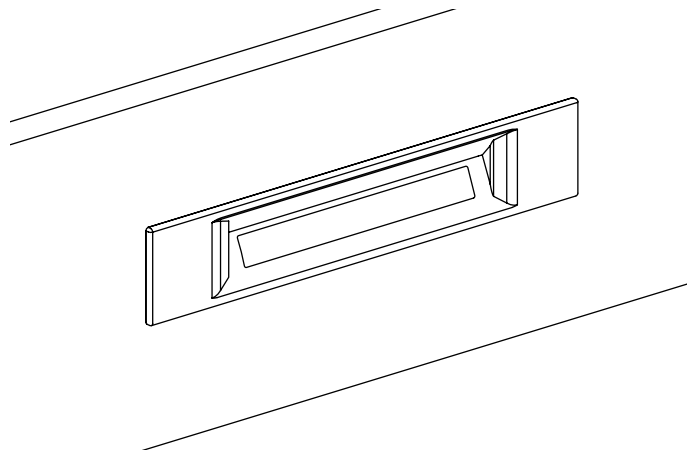
7. Press the bracket inside the cutout. Drill a 1/4" (6 mm) tap hole through the bracket holes into the wall. Mount the bracket to the wall using the four (4) screws provided.



8. Hook up the wire harness connector inside the bracket to the terminal on the back side of the remote control. Use either terminal.



9. Snap the Remote Control into the bracket.



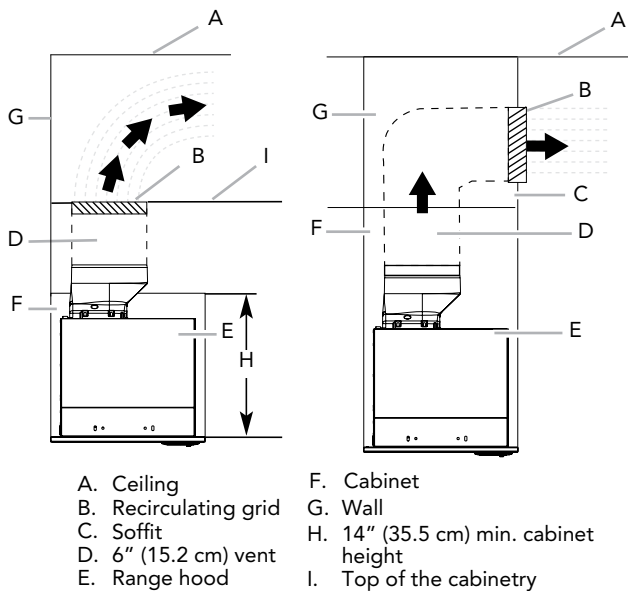
Recirculating Kit (optional)

When used in recirculation mode, To Reduce the Risk of Fire and Shock use only conversion kit Model RECHMDW30 and RECHMDW36.

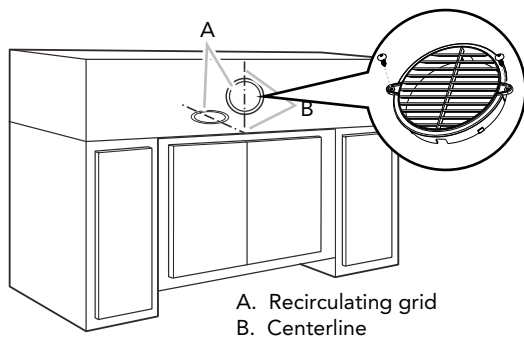
If it is not possible to vent cooking fumes and vapors to the outside, the hood can be used in the non-vented (recirculating) version, using the recirculating kit . Fumes and vapors are recycled through the round grid. See optional accessories section.

Installation through the soffit / cabinet

Depending on your recirculating installation, take into consideration the next diagram:



1. Measure and mark the centerline of the cabinet to the soffit above.
2. Measure from the bottom of the cabinet to the centerline of the where the vent will come through the soffit. Mark the location and use a saber saw or keyhole saw to cut a 5¾" (14.6 cm) hole for the recirculating grid.
3. Install the recirculating grid with the 2 provided screws.



Charcoal Filter Replacement (optional)

- The charcoal filter cannot be cleaned. It must be replaced every 4-6 months (depending on hood usage).
- The charcoal filter is attached to the backside of the grease filter.

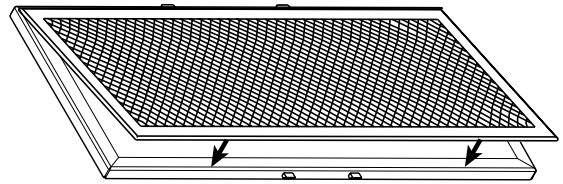
NOTE: DO NOT rinse, or put charcoal filter in an automatic dishwasher.

Charcoal filter installation

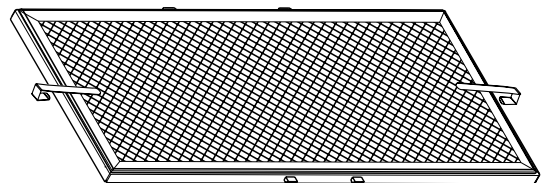
If it is not possible to vent cooking fumes and vapors to the outside, the hood can be used in the non-vented (recirculating) version, using the charcoal filter kit. Fumes and vapors are recycled through the charcoal filters.

Fumes and vapors are recycled through the charcoal filters.

1. Remove the grease filters of the hood.
2. Evenly position the charcoal filter to the backside of the grease filter.



3. Place 2 spring clips into the place (see image) to secure the charcoal filter to the metal filter.



NOTE: The charcoal filters cannot be cleaned. It should be replaced every 4-6 months (depending on hood usage).

Installer Checklist

Final Check

- _____ Specified clearances maintained to cabinet surfaces.
- _____ Appliance is level.
- _____ All packaging material removed.
- _____ Proper ground connection.
- _____ Owner is aware of location of the main circuit breaker
- _____ INSTALLER: Write the model number and serial number found on the Product Data Rating Label in the Use and Care Guide. Leave the Use and Care Guide and the Installation Instructions with the owner of the appliance.
- _____ INSTALLER: Leave the Home Connect™ instruction leaflet with the owner of the appliance. In order to utilize the full feature potential of the appliance, the owner should download the Home Connect™ app on their smart device and pair the appliance to the home's Wi-Fi device.

To Clean and Protect Exterior Surfaces

- The stainless steel surfaces may be cleaned by wiping with a damp soapy cloth, rinsing with clear water and drying with a soft cloth to avoid water marks. Any mild glass cleaner will remove fingerprints and smears.
- To polish and protect stainless steel, apply a stainless steel conditioner with a soft cloth. The Thermador Stainless Steel Conditioner is available for purchase in the online eShop. (www.thermadoreshop.com). Order part number 00576697.
- DO NOT allow deposits to remain for long periods of time.
- DO NOT use ordinary steel wool or steel brushes. Small bits of steel may adhere to the surface causing rust.
- DO NOT allow salt solutions, disinfectants, bleaches or cleaning compounds to remain in contact with stainless steel for extended periods. Many of these compounds contain chemicals which could prove harmful. Rinse with water after exposure and wipe dry with a clean cloth.

Before Calling Service

Troubleshooting

See the Use and Care Guide for troubleshooting information. Refer to the Statement of Limited Warranty in the Use and Care Guide.

Please be prepared with the information printed on your product data rating label when calling. To reach a service representative, see the contact information at the back of the manual. Before calling, please note the complete model and serial number printed on your product data rating label.

Replacing a LED Lamp

The LED lights are replaceable by a service technician only. See the service contact information.

Product Data Rating Label

The data rating label shows the model and serial number. It is located under the filter. The data rating label shows the model and serial number. Refer to the data label on the appliance when requesting service.

The data rating label is located on the frame behind the filter. Remove the filter to view it.

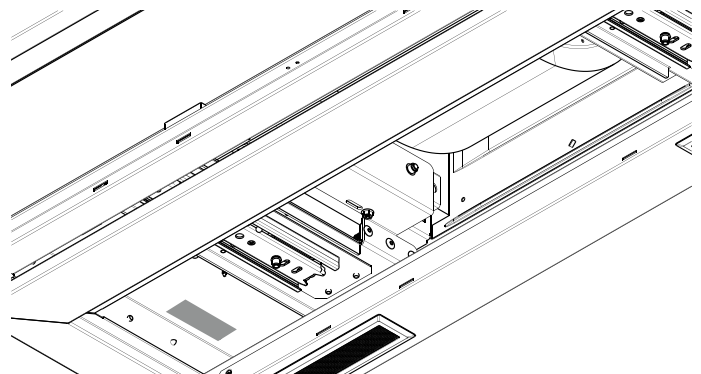


Table des

Matières

Sécurité	21
Consignes de Sécurité Importantes.....	21
Planification préalable.....	24
Avant de commencer.....	24
Généralités.....	25
Préparation avant l'installation.....	26
Considérations au moment de l'installation.....	26
Exigences électriques.....	27
Dispositions courantes de conduites.....	29
Pièce de transition de la hotte.....	29
Directives d'installation.....	30
Préparation de l'armoire de la cuisine.....	31
Installation du boîtier du système de soufflerie.....	31
Raccordement électrique.....	33
Installation de la télécommande (facultative).....	34
Trousse de recirculation (facultative).....	35
Remplacement du filtre à charbon (facultative).....	35
Liste de vérification de l'installateur.....	36
Avant d'appeler le service de réparation.....	36
Données de la plaque signalétique du produit.....	36

Définitions des termes

de Sécurité

⚠ AVERTISSEMENT

Signale un risque de mort ou de blessure grave si l'avertissement n'est pas respecté.

⚠ MISE EN GARDE

Signale un risque de blessures mineures ou modérées si la mise en garde n'est pas respectée.

AVIS: Signale un risque de dommage matériel ou de dommage à l'appareil électroménager si l'avis n'est pas respecté.

Remarque: Signale de l'information et/ou des conseils importants.

Cet appareil THERMADOR® est fabriqué par
 BSH Home Appliances Corporation
 1901 Main Street, Suite 600
 Irvine, CA 92614 É.-U.

Questions?

1-800-735-4328

www.thermador.com

N'hésitez pas à nous contacter, nous nous ferons un plaisir de vous servir!



CONSIGNES DE SÉCURITÉ IMPORTANTES LIRE ET CONSERVER CES CONSIGNES

INSTALLATEUR: Conservez ces consignes à l'intention de l'inspecteur électrique local. Laissez ces consignes avec l'appareil à l'intention du propriétaire. Montrez au propriétaire l'emplacement du disjoncteur ou du fusible du circuit. Identifiez sa position pour pouvoir le retrouver facilement.

PROPRIÉTAIRE: Prière de conserver ces consignes pour pouvoir s'y référer ultérieurement.

AVERTISSEMENT

Si les consignes du présent manuel ne sont pas suivies à la lettre, il y a un risque d'incendie ou d'électrocution pouvant entraîner des dommages matériels ou des blessures.

AVERTISSEMENT



Si les consignes du présent manuel ne sont pas suivies à la lettre, il y a un risque d'incendie ou d'électrocution pouvant entraîner des dommages matériels, des blessures ou la mort.

- NE PAS conserver ou utiliser de l'essence ou d'autres liquides et vapeurs inflammables à proximité de cet appareil électroménager ou de tout autre appareil.
- QUE FAIRE SI VOUS PERCEVEZ UNE ODEUR DE GAZ
 - NE PAS essayer de mettre un appareil électroménager sous tension.
 - NE PAS toucher d'interrupteur de courant électrique.
 - NE PAS utiliser de téléphones dans l'édifice.
 - Communiquer immédiatement avec le fournisseur de gaz depuis l'appareil téléphonique d'un voisin. Respecter les directives du fournisseur de gaz.
 - S'il s'avère impossible de joindre le fournisseur de gaz, communiquer avec les pompiers.
- Utiliser les services d'un technicien en réparation ou d'une agence de réparations autorisés, ou le fournisseur de gaz, pour procéder à l'installation et aux réparations.

AVERTISSEMENT

Couper l'alimentation du circuit électrique au boîtier à fusibles ou des disjoncteurs et le verrouiller avant de câbler cet appareil électroménager. Exigences : 120 V c.a., 60 Hz et 15 A. Après la coupure de l'alimentation électrique, laisser refroidir l'appareil électroménager avant de procéder aux réparations.

AVERTISSEMENT

Dispositif à fonctionnement automatique
Couper l'alimentation électrique avant toute réparation pour réduire le risque de blessure.

AVERTISSEMENT

POUR RÉDUIRE LE RISQUE D'INCENDIE, D'ÉLECTROCUTION OU DE BLESSURES, RESPECTER LES INDICATIONS SUIVANTES:

- Utiliser cet appareil uniquement de la façon prévue par le fabricant. Pour toutes questions, communiquer avec le fabricant à l'adresse de la dernière page ou au numéro de téléphone inscrit.
- Avant de réparer ou de nettoyer l'appareil, couper l'alimentation électrique au dispositif de sectionnement et le verrouiller pour éviter que l'alimentation ne soit rétablie accidentellement. Lorsque le dispositif de sectionnement ne peut pas être verrouillé, fixer un accessoire d'avertissement visible et adéquat, comme une étiquette, au boîtier à fusibles ou des disjoncteurs.

AVERTISSEMENT

NE PAS réparer ou remplacer une pièce de l'appareil électroménager, à moins que les manuels recommandent de le faire.

Une installation, une réparation ou un entretien incorrect(e) peut entraîner des blessures ou des dommages matériels. Consulter le présent manuel pour connaître les directives. Toute autre réparation doit être effectuée par un technicien en réparation autorisé.

AVERTISSEMENT



RISQUE D'ÉLECTROCUTION

- NE PAS enlever les raccords.
- NE PAS utiliser de rallonge.
- Tout manquement à ces directives peut entraîner la mort ou une



CONSIGNES DE SÉCURITÉ IMPORTANTES

LIRE ET CONSERVER CES CONSIGNES

Directives de mise à la terre

AVERTISSEMENT

Une mise à la terre inadéquate peut entraîner un risque d'électrocution.

Cet appareil électroménager doit être mis à la terre. En cas de court-circuit électrique, la mise à la terre réduit le risque d'électrocution en offrant au courant électrique un fil d'évacuation.

Assurez-vous que l'appareil est correctement installé et mis à la terre par un technicien qualifié. L'installation, les raccordements électriques et la mise à la terre doivent être conformes avec tous les codes en vigueur.

S'il y a lieu, conformément au Code national de l'électricité (ou au Code canadien de l'électricité), cet appareil électroménager doit être installé sur un circuit de dérivation distinct

AVERTISSEMENT

NE PAS utiliser cet appareil électroménager avec un dispositif de contrôle de la vitesse semi-conducteur pour

Codes et normes de sécurité

Cet appareil électroménager est conforme à une ou plusieurs des normes suivantes :

- UL 507, Norme en matière de sécurité pour les ventilateurs électriques
- CSA-C22.2 no 113, Ventilateurs

Il incombe au propriétaire et à l'installateur de déterminer si des exigences et/ou normes additionnelles s'appliquent pour des installations spécifiques.

MISE EN GARDE



L'appareil est lourd et son déplacement et installation exigent au moins deux personnes ou encore un équipement approprié. Des surfaces cachées peuvent avoir des rebords tranchants. Faire attention en manipulant l'appareil électroménager. Tout manquement à cette consigne pourrait entraîner des dommages matériels ou des blessures.

AVERTISSEMENT

Avertissements relatifs à la Proposition 65 de l'État de la Californie :

Ce produit peut vous exposer à des produits chimiques, comme du chlorure de vinyle, reconnu par l'État de la Californie comme causant le cancer, des malformations congénitales ou d'autres effets nocifs sur la reproduction. Pour de plus amples renseignements, consulter www.P65Warnings.ca.gov.

Ne jamais modifier ni altérer la structure (fabrication) de l'appareil électroménager. Par exemple, ne pas retirer les panneaux, les couvre-fils, les supports, les équerres de fixation ou les vis.

MISE EN GARDE

Uniquement aux fins de ventilation générale. **NE PAS** utiliser pour évacuer des matières et des gaz dangereux ou explosifs.

AVERTISSEMENT

Pour réduire le risque d'incendie, utiliser uniquement des systèmes de gaines/conduites en métal.

Utilisez les services d'un installateur qualifié.

Retirez tout le ruban et l'emballage avant d'utiliser l'appareil électroménager. Jetez l'emballage après l'installation. Ne laissez jamais les enfants jouer avec le matériel d'emballage.



CONSIGNES DE SÉCURITÉ IMPORTANTES

LIRE ET CONSERVER CES CONSIGNES

AVERTISSEMENT

POUR RÉDUIRE LE RISQUE D'INCENDIE, D'ÉLECTROCUTION OU DE BLESSURES, RESPECTER LES INDICATIONS SUIVANTES :

- Les travaux d'aménagement et de câblage électrique doivent être exécutés par du personnel qualifié en conformité à tous les codes et à toutes les normes de construction en vigueur, incluant ceux concernant les incendies.
- Un apport d'air suffisant est nécessaire pour la bonne combustion et évacuation des gaz par le carneau (cheminée), émanant de tout appareil de combustion afin d'éviter le refoulement de l'air. Respecter les lignes directrices du fabricant des appareils de chauffage et les normes de sécurité comme celles établies par la National Fire Protection Association (NFPA), la American Society for Heating, Refrigeration and Air Conditioning Engineers (ASHRAE) et les codes des autorités locales.
- En coupant ou perçant un mur ou un plafond pour l'installation de l'appareil, s'assurer de ne pas endommager le câblage électrique et les autres services publics masqués.
- Les ventilateurs raccordés à une conduite doivent toujours évacuer l'air vers l'extérieur.

AVERTISSEMENT

POUR RÉDUIRE LE RISQUE D'INCENDIE DE GRAISSE DE CUISINIÈRE:

- Ne jamais laisser la surface de cuisson sans surveillance à feu vif.
Les débordements causent de la fumée et les résidus graisseux peuvent s'enflammer. Faire chauffer lentement les huiles à feu doux ou moyen.
- Toujours faire FONCTIONNER la hotte lorsque vous cuisinez à feu vif pour flamber certains plats (c.-à-d., crêpes Suzette, cerises Jubilé, steak au poivre flambé).
- Nettoyer régulièrement les ventilateurs. Ne pas laisser la graisse s'accumuler sur le ventilateur ou le filtre.
- Utiliser des casseroles de taille appropriée. Toujours utiliser des ustensiles de cuisine adaptés à la taille de l'élément de cuisson.

AVERTISSEMENT

POUR RÉDUIRE LE RISQUE DE BLESSURES EN CAS D'INCENDIE DE GRAISSE DE CUISINIÈRE, RESPECTER LES CONSIGNES SUIVANTES:^a

- **ÉTOUFFER LES FLAMMES** avec un gros couvercle bien ajusté, une plaque à biscuits ou un plateau de métal puis fermer le brûleur. **ÊTRE PRUDENT, ÉVITER LES BRÛLURES.** Si les flammes ne s'éteignent pas immédiatement, **ÉVACUER LES LIEUX ET APPELER LES POMPIERS.**
- **NE JAMAIS SOULEVER UNE POÊLE EN FEU :** vous risquez d'être brûlé.
- **NE PAS UTILISER D'EAU,** y compris un torchon à vaisselle ou une serviette mouillée, cela entraînera une explosion violente de vapeur.
- Utiliser un extincteur **UNIQUEMENT** si:
 - a) Vous savez que vous disposez d'un extincteur de classe ABC et savez déjà comment l'utiliser.
 - b) Le feu est petit et concentré dans la zone où il a commencé.
 - c) Vous avez appelé les pompiers.
 - d) Vous pouvez combattre l'incendie avec une sortie derrière vous.

^aExplications fondées sur « Kitchen Fire Safety Tips » (Conseils de sécurité en cas d'incendie de cuisine) publiées par la NFPA.

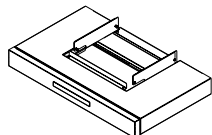
Planification préalable

Avant de commencer

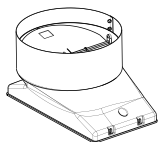
⚠ MISE EN GARDE

Avant l'installation, COUPER l'alimentation au boîtier à fusibles ou des disjoncteurs. Verrouiller le boîtier pour empêcher que l'alimentation ne soit RÉTABLIE par accident

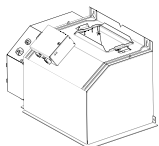
Pièces incluses



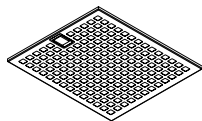
Module de la hotte (ampoules et système de soufflerie déjà installés)



Pièce de transition, 6 po (152 mm)



Boîtier du système de soufflerie



Filtres à graisse



Quincaillerie*

* La quincaillerie fournie sert au montage sur une cloison sèche ou de plâtre d'épaisseur normale avec des montants de bois. Il incombe à l'installateur de fournir la quincaillerie nécessaire à d'autres types de mur.

Outils et pièces nécessaires

- Gaines/conduites selon le besoin (voir le tableau des Longueurs équivalentes des pièces de transition habituellement utilisées)
- Ruban d'aluminium (ET NON du ruban adhésif en toile)
- Conduite de ½ po (13 mm), au besoin (respecter les codes locaux)
- Protecteur de cordon de 1 po (25,4 mm)
- Gaines/conduites selon les besoins
- Tournevis à tête plate et Phillips
- Perceuse avec mèche de ⅜ po (4,76 mm)
- Scie circulaire ou à contourner
- Tournevis à douille de ⅜ po (9,52 mm) ou douille et cliquet
- Outil à dénuder
- Gants de travail de protection

IMPORTANT : NE PAS jeter de morceaux d'emballage avant l'installation complète de l'appareil électroménager.

Accessoires facultatifs vendus séparément

Pour de plus amples renseignements, veuillez consulter www.thermador.com.

- RECHMDW30 : Trousse de recirculation, modèle de 30 po (762 mm)
- RECHMDW36 : Trousse de recirculation, modèle de 36 po (914 mm)
- CHFHMDW30 : Trousse de remplacement du filtre à charbon, modèle de 30 po (762 mm)
- CHFHMDW36 : Trousse de remplacement du filtre à charbon, modèle de 36 po (914 mm)

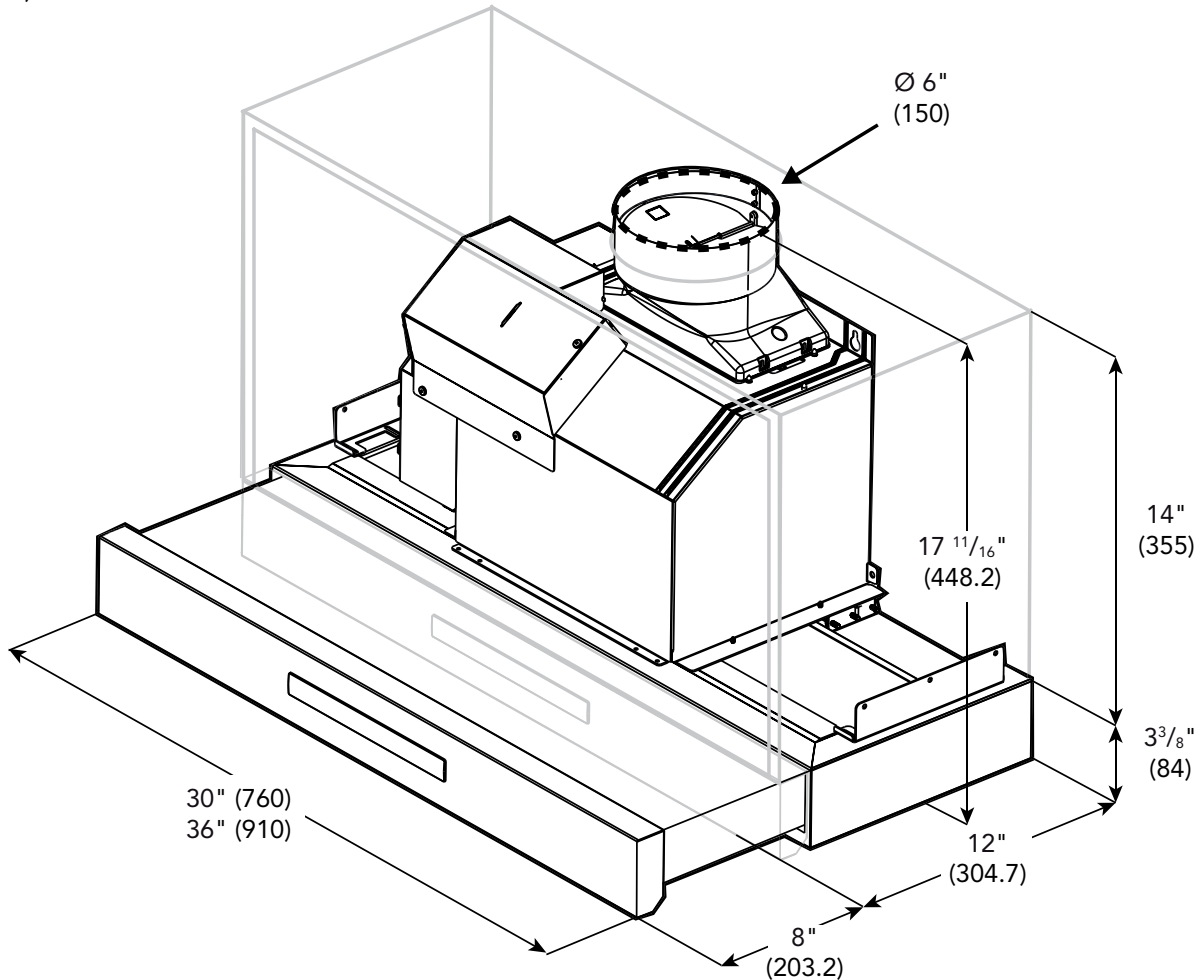
Généralités

Dimension hors tout

HMDW30WS et HMDW36WS

Les modèles de cette série mesurent 20 po (508 mm) de profondeur une fois déployés ou 12 po (305 mm) rétractés - tiroir fermé - et 30 po (762 mm) et 36 po (914 mm) de largeur. Ils comportent un auvent en acier inoxydable brossé avec un éclairage à DEL..

pouces (mm)



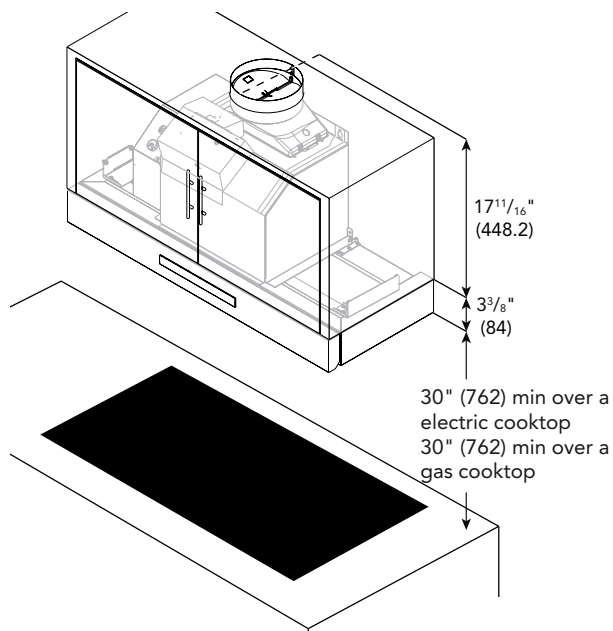
REMARQUE : La pièce de transition est au centre de la hotte, sur le plan horizontal.

Préparation avant l'installation

Considérations au moment de l'installation

Dégagement et exigences

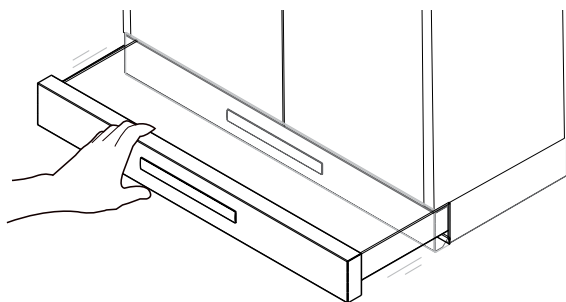
La hauteur d'installation de la hotte au-dessus d'une table de cuisson ou d'une cuisinière peut varier. Veuillez consulter le manuel d'installation pour connaître la hauteur d'installation nécessaire au-dessus d'une table de cuisson ou d'une cuisinière.



Largeur de la hotte

La largeur de la hotte ne doit pas être moindre que celle de la surface de cuisson. Pour un bon rendement, le boîtier doit couvrir l'ensemble de la surface de cuisson. Une hotte plus large peut être utilisée s'il n'y a pas de contraintes d'espace pour accroître l'aire d'aspiration.

Vous pouvez augmenter de 8 po (203 mm) l'aire d'aspiration à l'avant en déployant la hotte-tiroir.



La hotte doit être centrée horizontalement au-dessus de la surface de cuisson pour offrir un bon rendement.

Distance de la surface de cuisson

Installations de table de cuisson et de cuisinière au gaz : installez la hotte de sorte que la face inférieure de la hotte soit au moins à 30 po (76,2 cm) au-dessus de la surface de cuisson.

Installations de table de cuisson et de cuisinière électriques ou à induction : installez la hotte de sorte que la face inférieure de la hotte soit au moins à 30 po (76,2 cm) au-dessus de la surface de cuisson.

AVIS : La hotte pourrait être endommagée par la chaleur si plusieurs brûleurs d'une table de cuisson de la série MASTERPIECE® de THERMADOR fonctionnent à feu vif sous une hotte installée avec les dégagements minimums.

Poids de l'appareil

Cette hotte d'évacuation d'air est lourde. Peu importe le type d'installation, il faut avoir une structure et des nervures de renforcement adéquats.

Assurez-vous de tenir compte du poids de l'unité de ventilation lors du calcul de la charge du système de support du boîtier.

Appareil	Poids
30 po (76 cm)	50.7 lb (23 kg)
36 po (91 cm)	55.1 lb (25 kg)

IMPORTANT :

Les poids indiqués sont uniquement pour l'appareil de ventilation et le système de soufflerie. L'installateur doit tenir compte du poids du reste du matériel de montage lors du calcul de la charge du poids mort total du module, y compris, sans toutefois se limiter à/au : mur, carreaux, mortier, plâtre, brique, finition, sections et autres éléments similaires intégrés dans l'architecture et la structure. Il incombe au propriétaire et à l'installateur de déterminer si des exigences et/ou normes supplémentaires s'appliquent pour des installations spécifiques.

Exigences électriques

L'appareil exige un circuit de dérivation de 120 V c.a., 60 Hz et de 15 A.

La hotte doit être le seul appareil raccordé au circuit (avec mise à la terre), le tout installé en conformité à la réglementation en vigueur.

Consultez les codes du bâtiment locaux pour connaître les bonnes exigences pour l'installation. Aux É.-U., en l'absence d'un code local, cet appareil doit respecter la norme ANSI/NFPA no 70, dernière version, du National Electric Code. Au Canada, veuillez installer selon les Codes d'installation pour les appareils à combustibles gazeux CAN 1-B149.1 et 149.2 et/ou les codes locaux.

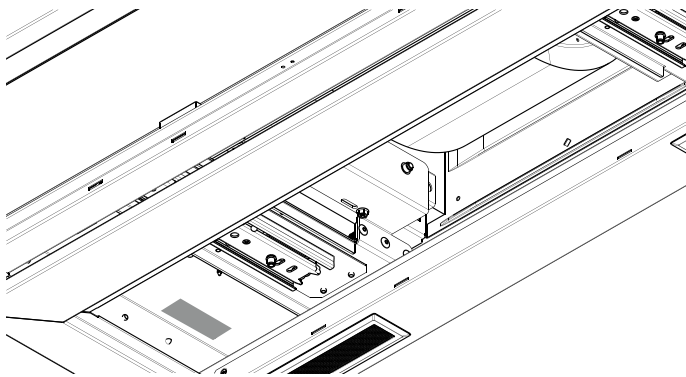
L'appareil électroménager doit être mis à la terre. En cas de court-circuit électrique, la mise à la terre réduira le risque d'électrocution en offrant au courant électrique un fil d'évacuation.

AVERTISSEMENT

L'appareil électroménager doit être mis à la terre.

Données électriques inscrites sur la plaque signalétique

Les données, dont les numéros de modèle et de série, sont imprimées sur la plaque signalétique du produit à l'intérieur de l'appareil électroménager, visible après le retrait du cadre du filtre.



Préparation du système de gaines

Direction d'évacuation

L'air est évacué vers le haut par une conduite. La hotte s'installe uniquement avec une évacuation verticale.

Recommandations pour les gaines/conduites

Un bon rendement dépend d'un système de gaines adéquat. Les codes du bâtiment locaux peuvent exiger l'utilisation de systèmes d'air d'appoint lorsque vous installez des systèmes de ventilation par conduites de plus grande capacité que le nombre de pieds cubes par minute (pi³/min) spécifiés pour la ventilation.

Le nombre de pi³/min spécifié varie d'un endroit à l'autre. Il incombe au propriétaire et à l'installateur de déterminer si des exigences et/ou normes additionnelles s'appliquent pour des installations spécifiques.

N'UTILISEZ PAS DE GAINES SOUPLES, elles créent une contre-pression ou des turbulences et réduisent le rendement du système. Utilisez toujours des gaines métalliques.

Installez toujours un abat-vent de métal au point de sortie de la gaine, à l'extérieur. L'air aspiré par la hotte doit être évacué uniquement vers l'extérieur du bâtiment.

Pour les installations de systèmes de gaines en **CLIMAT FROID**, veuillez installer un clapet antiretour supplémentaire pour atténuer le retour d'air froid et une résistance thermique non métallique pour minimiser la conduction de la température externe. Le clapet antiretour doit être installé du côté de l'air froid de la résistance thermique. Quant à elle, la résistance thermique doit être installée aussi près que possible de l'entrée du système de gaines dans la section chauffée du bâtiment.

AIR D'APPOINT : Les codes du bâtiment locaux peuvent exiger l'utilisation de systèmes d'air d'appoint lorsque vous installez des systèmes de ventilation par conduites de plus grande capacité que le nombre de pieds cubes par minute (pi³/min) spécifiés pour la ventilation.

Le nombre de pi³/min spécifié varie d'un endroit à l'autre. Il incombe au propriétaire et à l'installateur de déterminer si des exigences et/ou normes additionnelles s'appliquent pour des installations spécifiques.

Pour des raisons de sécurité, le système de gaines doit évacuer l'air aspiré directement à l'extérieur (non pas dans le grenier ou les combles, sous la maison, dans le garage ou tout autre espace clos).

THERMADOR® conseille de ne pas excéder l'équivalent de 50 pieds (15,24 m) de conduites en longueur.

Maintenez le système de gaines aussi court et droit que possible. Les coudes et les raccords de transition réduisent l'efficacité du débit d'air.




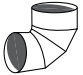
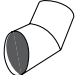
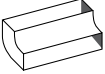


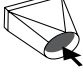
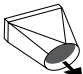
Les coudes installés l'un après l'autre et les configurations en "S" donnent un très faible rendement et ne sont pas recommandés.

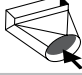
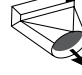
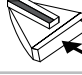
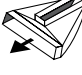
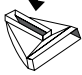



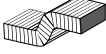

Une gaine droite et courte installée à l'admission d'un souffleur à distance offre le meilleur rendement d'aspiration.

Les hottes sont livrées avec une conduite de transition ronde de 6 po (152 mm) de diamètre. Pour d'autres diamètres, une conduite de transition approvisionnée dans la région est requise.

Utilisez le tableau "Longueurs équivalentes de conduites pour pièces de transition habituellement utilisées", pour calculer les longueurs admissibles jusqu'à la sortie de la gaine à l'extérieur.

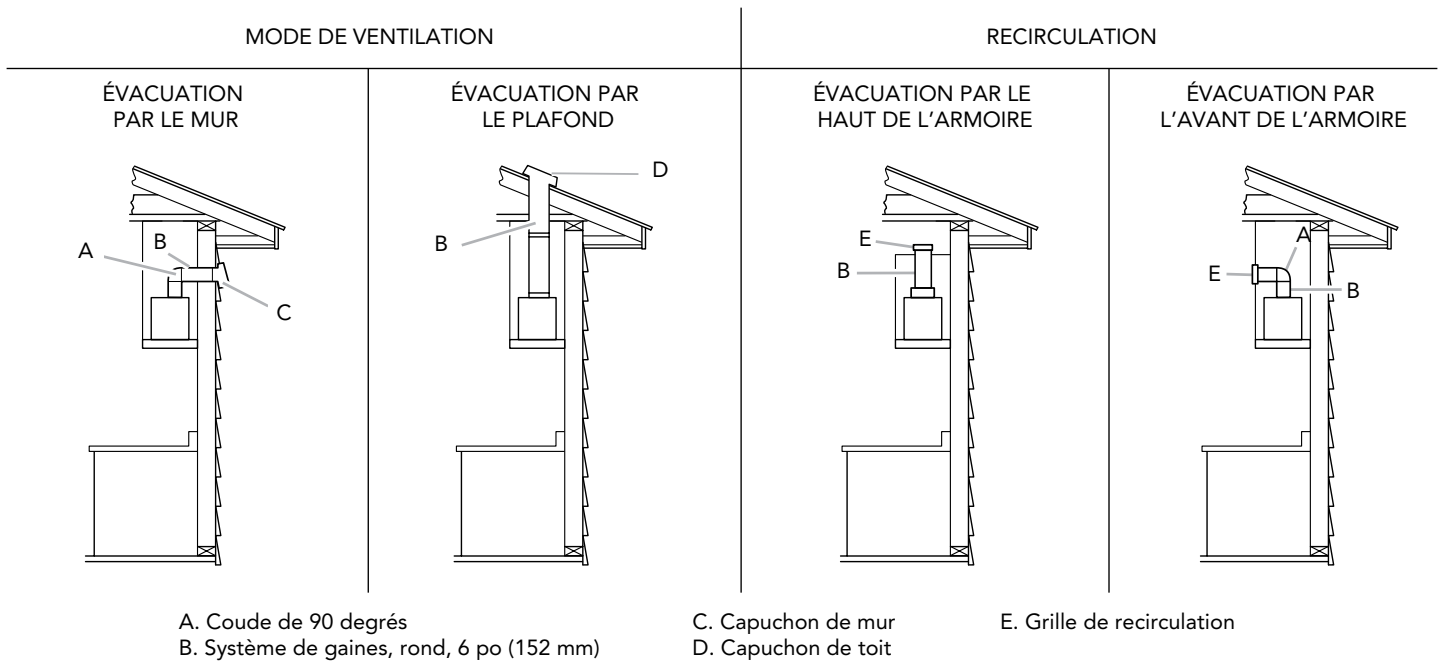
Longueurs équivalentes de conduites pour pièces de transition habituellement utilisée

Pièce du système	Taille (po)	Longueur équivalente (pi)
 Lisse, droite	6	1.2
	8	0.7
	10	0.6
 3/4 x 10 po, droit	S.O.	1
 3/4 x 14 po, droit	S.O.	0.7
 Coude 90 degrés, rond	6	12
	8	6
	10	5
 Coude 45 degrés, rond	6	5
	8	3
	10	2
 3/4 x 10 po coude 90 degrés, rond	S.O.	5
 3/4 x 10 po, coude 45 degrés, rond	S.O.	15
 3/4 x 10 po, coude plat	S.O.	20
 Orifice rond jusqu'à 3/4 x 10 po	6	1
	8	10
 3/4 x 10 po jusqu'à l'orifice rond	6	5
	8	2

Pièce du système	Taille (po)	Longueur équivalente (pi)
 Orifice rond jusqu'à 3/4 x 10 po, avec coude 90 degrés	6	10
 3/4 x 10 po avec coude de 90 degrés, rond	6	10
 3/4 x 10 po coude centré, inversé, gauche	S.O.	15
 3/4 x 10 po coude centré, inversé, droit	S.O.	25
 3/4 x 10 po coude à gauche, inversé	S.O.	15
 3/4 x 10 po coude droit, inversé	S.O.	25
 Lisse, ronde	6	2
	8	2
	10	2
 Lisse de toit, ronde	6	2
	8	2
	10	2
 Gaine souple, 2 pi long, 3/4 x 10 po	S.O.	20
 Trémie de cheminée et volet d'obturation, 3/4 x 10 po	S.O.	2

REMARQUE: Ces pièces courantes pour installation sont offertes dans les quincailleries locales. Thermador ne fabrique pas toutes ces pièces.

Dispositions courantes de conduites



REMARQUE: L'image ne présente pas toutes les dispositions ou méthodes d'installation. Elle est à titre indicatif SEULEMENT.

Méthodes de ventilation

La hotte est réglée en usine pour une ventilation par le toit (évacuation verticale) ou par le mur (évacuation horizontale). Un conduit rond de 6 po (152 mm) est requis pour l'installation (non fourni).

REMARQUE: Une gaine souple n'est pas conseillée. Un système de gaines souples crée une contrepression et des turbulences qui pourraient réduire considérablement le rendement.

Le système de ventilation peut évacuer l'air par le toit ou le mur.

Installez toujours un abat-vent de métal au point de sortie de la gaine, à l'extérieur.

Installations sans évacuation (recirculation)

S'il est impossible d'évacuer la fumée et les vapeurs de cuisson vers l'extérieur, vous pouvez utiliser la hotte de la cuisinière en version sans évacuation (recirculation) en installant la trousse de recirculation (vendue séparément). Les fumées et les vapeurs sont recyclées par la grille.

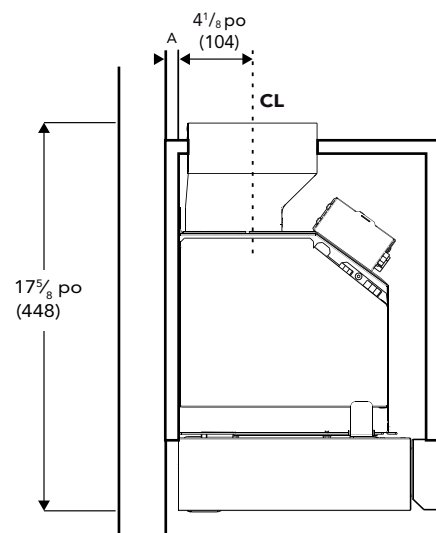
Consultez la section des accessoires facultatifs.

Pièce de transition de la hotte

Transition pour évacuation verticale

La hotte est expédiée, prête à être installée pour une évacuation verticale.

La pièce de transition fournie avec la hotte se raccorde à une conduite standard de 6 po (152 mm) de diamètre. La figure montre le raccordement de la transition pour une évacuation verticale.



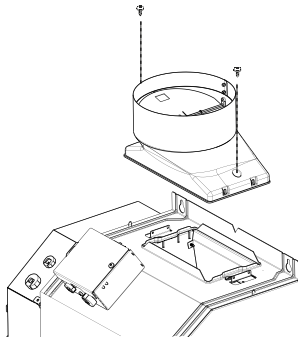
A. Épaisseur de la matière du mur arrière de l'armoire

Directives d'installation

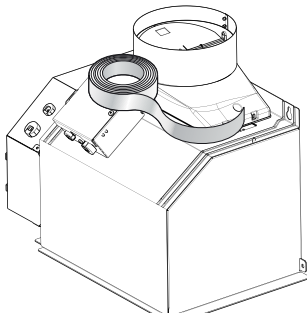
Assemblage la transition

Il faut un dégagement minimum en hauteur de $4 \frac{5}{16}$ po (110 mm) au-dessus de la hotte pour permettre l'assemblage de la pièce de transition. Consultez les « Généralités » pour connaître la dimension hors tout de la hotte.

1. Selon l'orientation de l'évacuation, alignez les orifices d'assemblage à la base de transition avec ceux sur le dessus de la hotte.
2. Fixez la pièce de transition à la hotte au moyen de deux (2) vis à tête de $\frac{1}{4}$ po (6 mm), fournies avec la hotte.



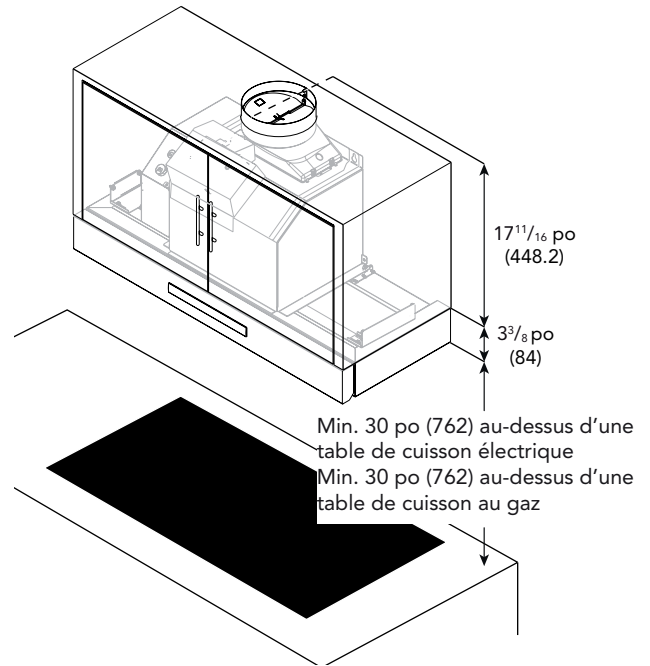
3. Scellez le raccord entre les deux pièces avec du ruban d'aluminium. N'UTILISEZ PAS de ruban adhésif en toile. Assurez-vous que le raccord est complètement scellé.



4. Retirez le ruban qui maintient le clapet fermé.

Installation

Détermination de la hauteur d'installation



La figure ci-dessus illustre une installation courante de hotte. Il est possible d'acheter une trousse de recirculation.

Installations de table de cuisson et de cuisinière au gaz : installez la hotte de sorte que la face inférieure de la hotte soit au moins à 30 po (762 mm) au-dessus de la surface de cuisson.

Installations de table de cuisson et de cuisinière électriques ou à induction : installez la hotte de sorte que la face inférieure de la hotte soit au moins à 30 po (762 mm) au-dessus de la surface de cuisson.

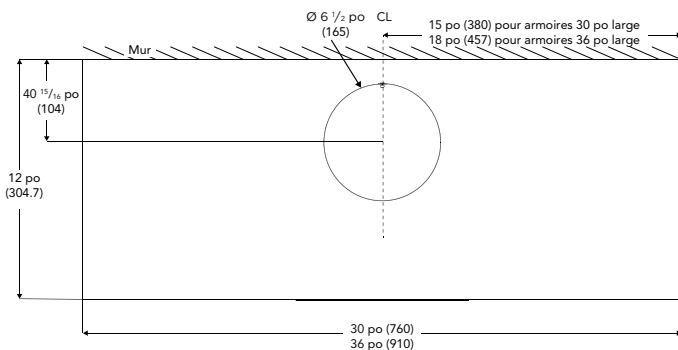
AVIS : La hotte pourrait être endommagée par la chaleur si plusieurs brûleurs d'une table de cuisson de la série MASTERPIECE® de THERMADOR fonctionnent à feu vif sous une hotte installée avec les dégagements minimums.

Préparation de l'armoire de la cuisine

La hotte peut être installée uniquement dans des armoires de 14 po (355 mm) de hauteur et de 12 po (305 mm) de profondeur.

L'armoire de la cuisine doit être en mesure de prendre charge au moins 88 lb (40 kg). En raison de la hauteur de la hotte, veuillez vous assurer que le support de fixation de bois est fixé à tous les montants de cloison disponibles.

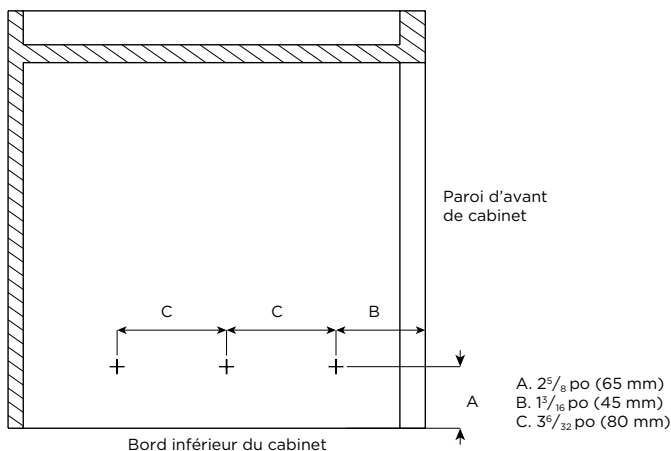
- Utilisez le schéma comme gabarit et marquez les armoires du haut avec les emplacements du système de gaines. Il est conseillé de procéder au marquage et aux découpes avant d'installer les armoires.



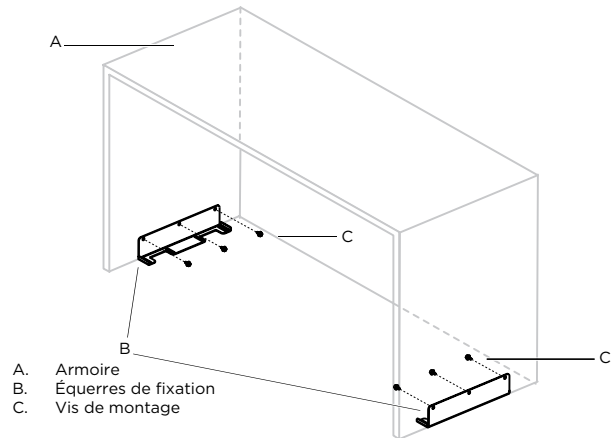
- Utilisez une scie sauteuse ou à guichet pour découper le fond à l'intérieur du cadre de l'armoire.
- Terminez la préparation des armoires selon les directives de votre type d'évacuation. Déterminez les emplacements pour la découpe et découpez les orifices d'évacuation dans les armoires, les murs et/ou la sous-face.

Installation des supports de tiroirs

- Marquez avec un crayon les 3 endroits indiqués dans le bas diagramme à l'intérieur des parois latérales de l'armoire.

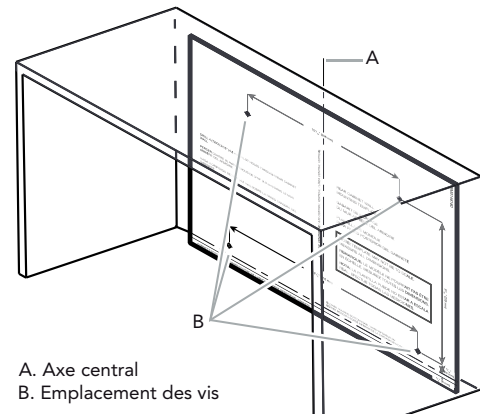


Placez les supports latéraux sur les marques faites et sécurisés les avec 3 vis de montage.



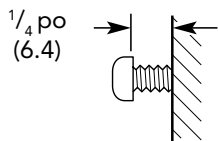
Installation du boîtier du système de soufflerie

- COUPEZ l'alimentation électrique au boîtier à fusibles ou des disjoncteurs. Verrouillez le boîtier pour empêcher que l'alimentation ne soit RÉTABLIE par accident.
- Assurez-vous de maintenir la hauteur d'installation de 30 po (762 mm) entre la face inférieure de la hotte et la surface de cuisson.
- Tracez un axe central de référence sur la paroi arrière des armoires.
- Collez le gabarit avec du ruban. Alignez l'axe central du gabarit avec l'axe central tracé sur la paroi arrière de l'armoire.

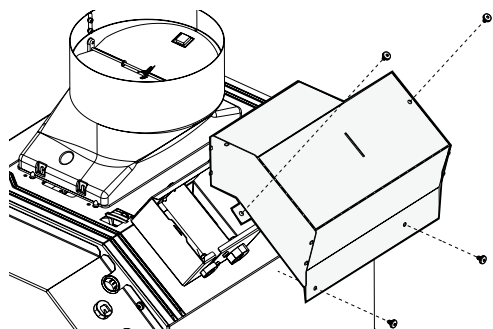


- Avec le gabarit collé au mur, indiquez le centre de l'emplacement des vis. **IMPORTANT** : Toutes les vis doivent être vissées dans le bois. En l'absence de montant de bois, veuillez rajouter des nervures de renforcement supplémentaire dans le mur.
- Retirez le gabarit.

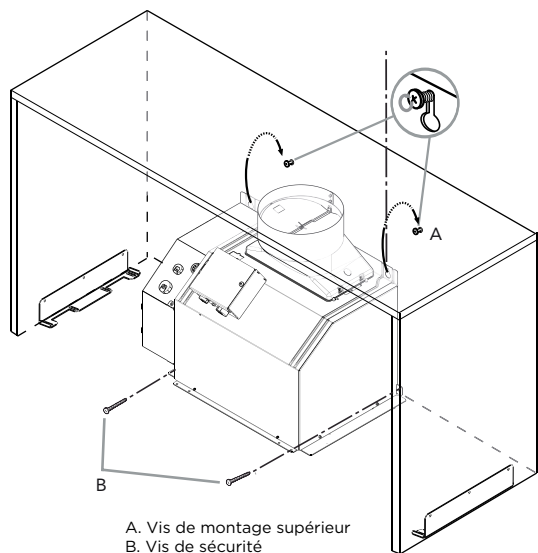
- Percez des avant-trous de $\frac{3}{16}$ po (4,8 mm) aux emplacements d'insertion des vis dans le bois.
- Vissez les deux (2) vis de montage de 5 x 45 mm. Laissez un espace de $\frac{1}{4}$ po (6,4 mm) entre le mur et la face inférieure de la tête de la vis pour pouvoir glisser en position la hotte de la cuisinière.



- Retirez le couvercle de la boîte électrique pour effectuer installation.



- Avec au moins deux (2) personnes, suspendez le boîtier du système de soufflerie sur les deux vis de montage, insérées dans les encoches au dos de la hotte.
- Insérez les deux (2) vis de montage inférieur de 5 x 45 mm avec les rondelles plates puis serrez

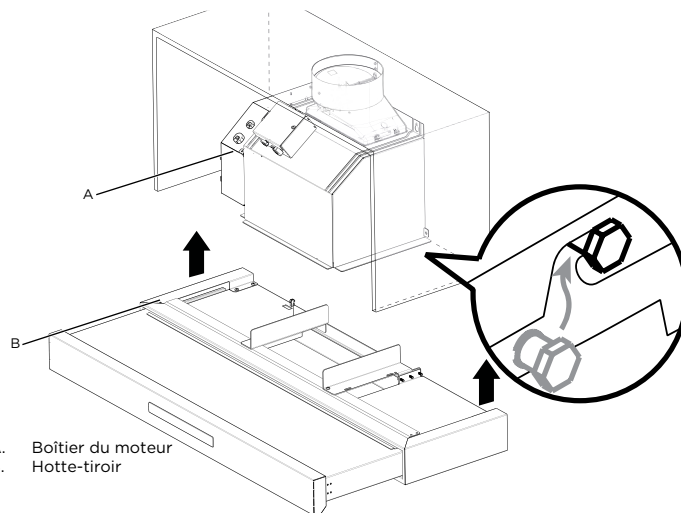


A. Vis de montage supérieur
B. Vis de sécurité

Serrez les vis de montage supérieur.

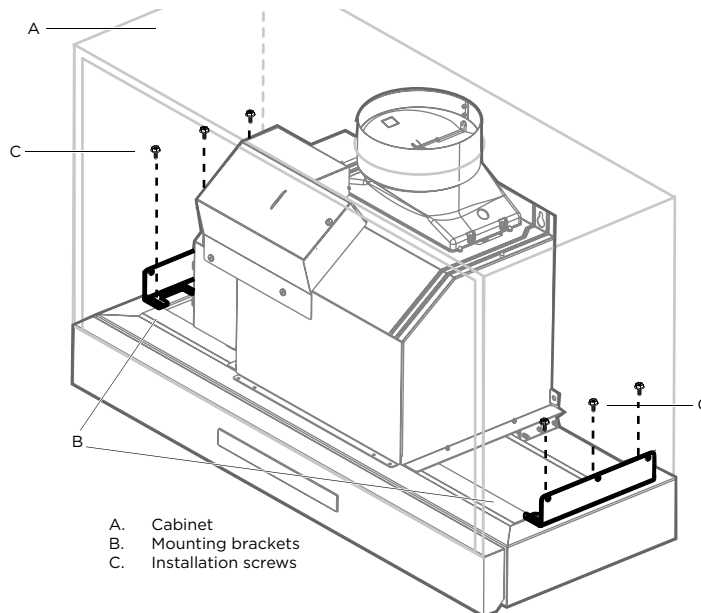
Montage de la hotte-tiroir

- Avec au moins deux (2) personnes, soulevez la hotte tiroir sous le boîtier du moteur. Insérez les goupilles de la hotte-tiroir dans les encoches inférieures du boîtier. Une fois les quatre (4) goupilles insérées, la hotte-tiroir est suspendue.



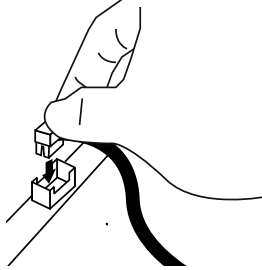
A. Boîtier du moteur
B. Hotte-tiroir

- Ouvrez le tiroir de la hotte et fixez le module de la hotte au boîtier du système de soufflerie. Serrez pour fixer solidement.
- Visser les 2 plaques de fixation sur le tiroir avec 4 vis d'installation. (voir l'image ci-dessous).
REMARQUE : Avant de serrer les vis, assurez-vous de l'absence d'espace entre le module de la hotte et le rebord inférieur des armoires.



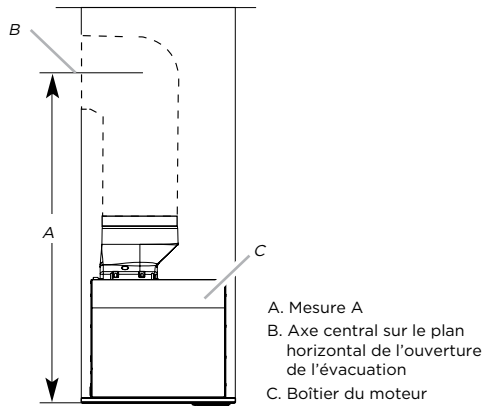
A. Cabinet
B. Mounting brackets
C. Installation screws

- Détachez le connecteur de la hotte-tiroir et déployez-le vers le côté supérieur du boîtier du système de soufflerie.
- Raccordez le connecteur de fil, fourni avec le boîtier du système de soufflerie, au connecteur correspondant de la hotte de cuisinière.



Connexion du système de ventilation

- Adaptez le système de ventilation par-dessus la sortie de l'évacuation d'air.
- Mesurez à partir de la face inférieure du déflecteur d'air jusqu'au bas de la sortie de la hotte. Coupez la gaine conduite selon la distance mesurée.



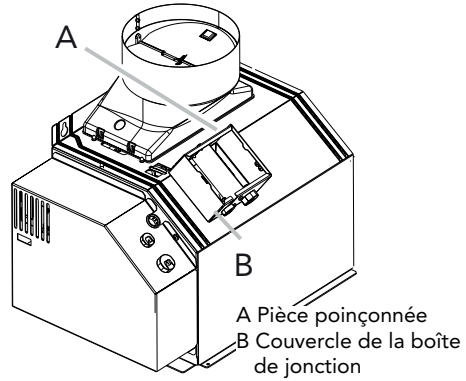
- Scellez le raccordement avec des pinces.

Raccordement électrique

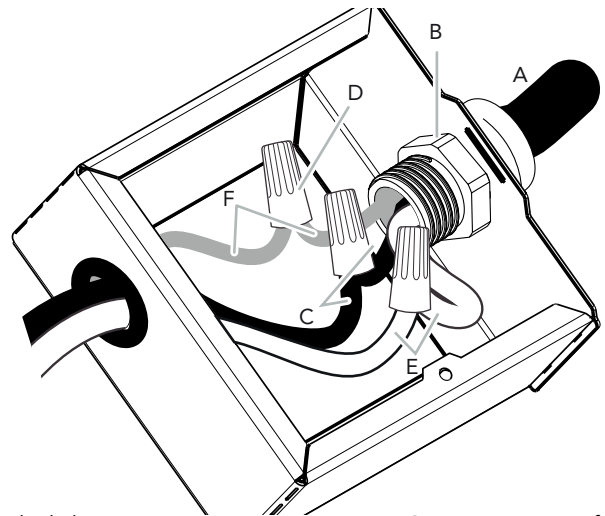
⚠ AVERTISSEMENT

Risque d'électrocution
Toujours couper l'alimentation électrique avant toute réparation.
Remplacer toutes les pièces et tous les panneaux avant de faire fonctionner.
Tout manquement à ces directives peut entraîner la mort ou une électrocution.

- Coupez l'alimentation.
 - Retirez le couvercle de la boîte de bornes.
- Dégagez la pastille poinçonnée du couvercle de la boîte de bornes et installez un protecteur de cordon de ½ po (1,27 cm) homologué UL ou approuvé CAS.



- Faites passer le fil de l'alimentation électrique résidentielle visant par le protecteur du cordon vers la boîte à bornes.



- | | |
|--|--|
| A. Fils d'alimentation électrique résidentielle | D. Connecteurs pour fils homologués UL |
| B. Protecteur de cordon homologué UL ou approuvé CSA | E. Fils blancs |
| C. Fils noirs | F. Fils vert (ou dénudé) ou jaune-vert is à la terre |

- Utilisez les connecteurs de fils homologués UL et raccordez les fils noirs (C) ensemble.
- Utilisez des connecteurs pour fil homologués UL et raccordez les fils blancs (E) ensemble.

⚠ AVERTISSEMENT

Risque d'électrocution Souffleur à masse électrique. Raccorder le fil de mise à la terre au fil jaune-vert mis à la terre de la boîte à bornes. Tout manquement à ces directives peut entraîner la mort ou une électrocution.

- Raccordez le fil vert (ou dénudé) mis à la terre de l'alimentation électrique de la maison au fil jaune-vert (F) mis à la terre avec des connecteurs homologués UL.
- Serrez la vis du protecteur de cordon.
- Remettez en place le couvercle de la boîte de bornes.
- Réinstallez l'alimentation électrique.

Installation de la télécommande (facultative)

Lisez attentivement les présentes directives avant de commencer. Nous conseillons de câbler la télécommande à la hotte après installation de cette dernière.

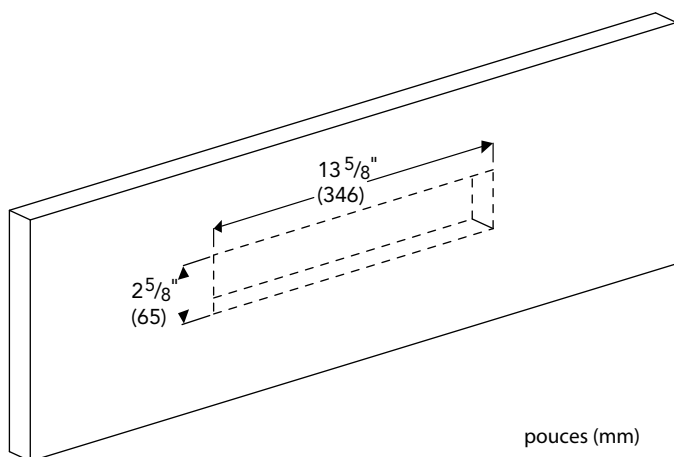
Pièces REMCPW incluses

- 1 - télécommande
- 1 - faisceau d'extension de 30 pi (914 cm)

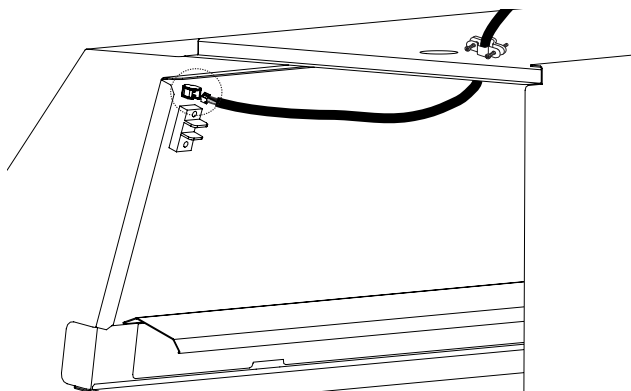
IMPORTANT : Sectionner un connecteur vers l'appareil ou la trousse de la rallonge annulera la garantie.

Installation de la télécommande

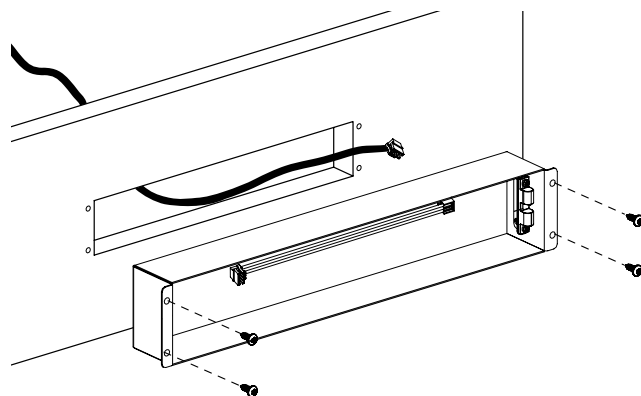
1. Préparez la découpe dans le mur (ou une surface semblable) pour l'installation comme illustré ci-dessous (vue face au mur)



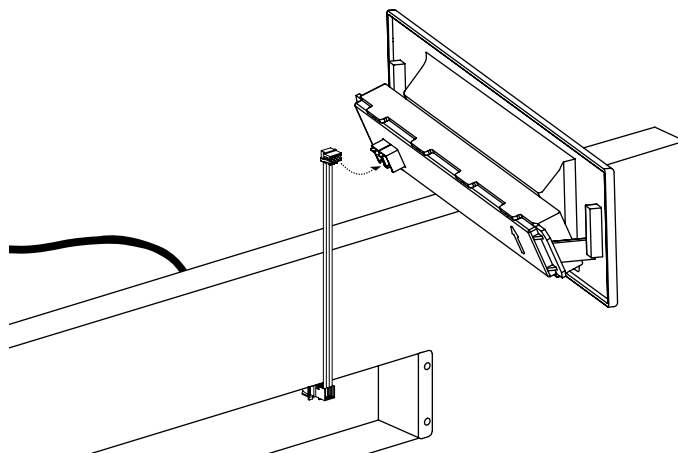
2. Accédez au câblage de la hotte. Acheminez le faisceau d'extension de 30 pi (914 cm) vers la bride de fixation carrée en passant à travers le protecteur de cordon jusqu'à ce qu'il s'enclenche.



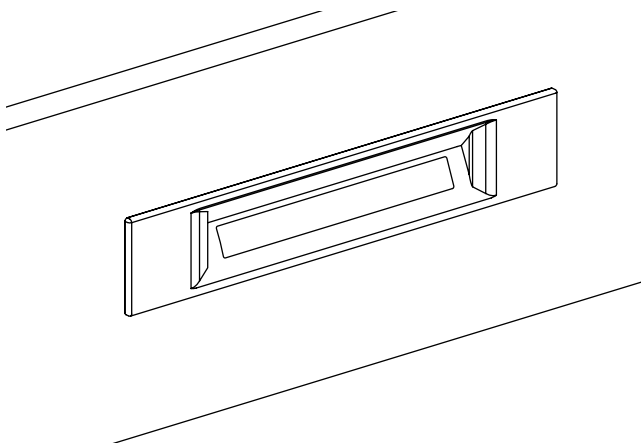
3. Faites passer le faisceau d'extension de 30 pi (914 cm) par la découpe et fixez-le au dos du support de la télécommande.
4. Enfoncez le support à l'intérieur de la découpe en appuyant dessus. Percez un trou taraudé de 1/4 po (6 mm) dans les trous du support pour atteindre le mur. Fixez le support au mur avec les quatre (4) vis fournies.



5. Raccordez le connecteur du faisceau de fil à l'intérieur du support à la borne au dos de la télécommande. Utilisez une borne ou l'autre.



6. Enclenchez la télécommande dans le support.



Trousse de recirculation (facultative)

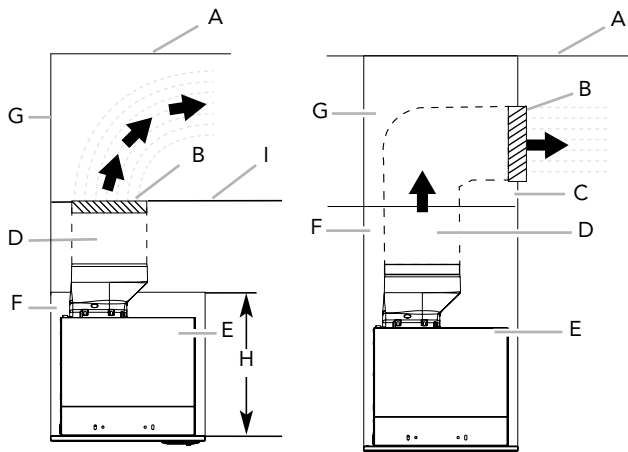
Lors d'une utilisation en mode de recirculation, utilisez uniquement la trousse de conversion, modèles RECHMDW30 et RECHMDW36, pour réduire les risques d'incendie et d'électrocution.

S'il est impossible d'évacuer la fumée et les vapeurs de cuisson vers l'extérieur, vous pouvez utiliser la hotte en version sans évacuation (recirculation) en installant la trousse de recirculation.

Les fumées et les vapeurs sont recyclées par la grille ronde. Consultez la section des accessoires facultatifs.

Montage par la sous-face ou l'armoire

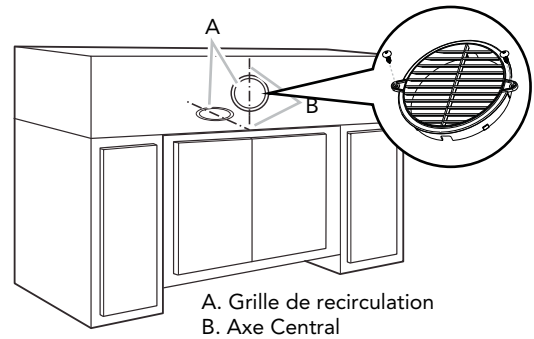
Tenez compte du prochain diagramme selon le montage du système de recirculation :



- | | |
|------------------------------|--|
| A. Plafond | F. Armoire |
| B. Grille de recirculation | G. Mur |
| C. Sous-face | H. Haut. min. de l'armoire de 14 po (355 mm) |
| D. Conduite de 6 po (152 mm) | I. Haut de l'armoire |
| E. Hotte de la cuisinière | |

1. Mesurez et tracez l'axe central de l'armoire à la sous-face au-dessus.
2. Mesurez du bas de l'armoire à l'axe central de la sortie de la conduite d'évacuation par la sous-face. Marquez l'emplacement et utilisez une scie sauteuse ou à guichet pour couper un trou de 5¾ po (146 mm) pour la grille de recirculation.

Installez la grille de recirculation au moyen des deux (2) vis fournies.



Remplacement du filtre à charbon (facultatif)

1. Il est impossible de nettoyer le filtre à charbon. Il faut le remplacer tous les quatre à six mois (selon l'utilisation de la hotte).

2. Il est fixé au dos du filtre à graisse.

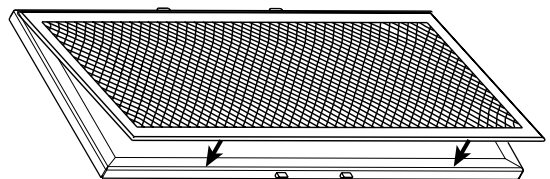
REMARQUE : NE PAS rincer ou mettre le filtre à charbon dans un lave-vaisselle automatique.

Insertion du filtre à charbon

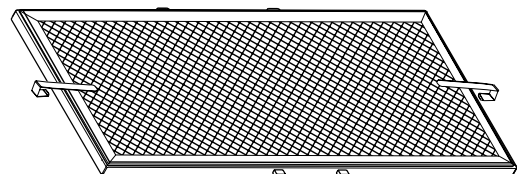
S'il n'est pas possible d'évacuer les fumées et les vapeurs de cuisson l'extérieur, la hotte peut être utilisée dans le non-ventilé version (recirculation), en utilisant le kit de filtre à charbon.

Les fumées et les vapeurs sont recyclées à travers le filtre à charbon.

1. Retirez les filtres à graisse de la hotte.
2. Placer le filtre à charbon dans la partie derriere du filtre métallique.



3. Placez 2 pinces à ressort dans l'endroit (voir l'image) pour sécuriser le filtre à charbon au filtre métallique.



REMARQUE: Les filtres à charbon ne peuvent pas être nettoyés. Il devrait être remplacé tous les 4-6 mois.

Liste de vérification de l'installateur

Vérification finale

- _____ Dégagements spécifiés entre l'armoire et la hotte maintenus.
 - _____ Appareil électroménager de niveau.
 - _____ Tout le matériel d'emballage retiré.
 - _____ Connexion de mise à la terre appropriée.
 - _____ Le propriétaire sait où se trouve le disjoncteur
- INSTALLATEUR : Notez les numéros de modèle et de série qui se trouvent sur la plaque signalétique du produit dans le Guide d'utilisation et d'entretien. Laissez le guide d'utilisation et d'entretien de même que les directives installations avec le propriétaire de l'appareil électroménager.
- INSTALLATEUR : Laissez la brochure des directives de Home Connect™ avec le propriétaire de l'appareil électroménager. Pour optimiser le plein potentiel des fonctionnalités de l'appareil électroménager, le propriétaire devrait télécharger l'appli Home Connect™ sur son appareil intelligent et appairer l'appareil électroménager avec le dispositif Wi-Fi domestique.

Nettoyage et protection des surfaces externes

- Vous pouvez nettoyer les surfaces en acier inoxydable en les essuyant avec un chiffon humide savonneux, en rinçant avec de l'eau propre puis en séchant les surfaces avec un chiffon doux pour éviter toute strie. Tout type de produits nettoyants pour verre éliminera les marques de doigts et le marbrage.
- Appliquez un produit revitalisant pour acier inoxydable avec un chiffon doux pour polir et protéger la surface. Pouvez acheter le revitalisant pour acier inoxydable Thermador à la boutique en ligne. (www.thermadoreshop.com). Commandez le numéro de pièce 00576697.
- NE PAS laisser les dépôts sur les surfaces pendant de longues périodes.
- NE PAS utiliser des brosses ordinaires en acier ou de la laine d'acier. De petits morceaux d'acier pourraient coller à la surface et provoquer des taches de rouille.

- NE PAS laisser de solutions à base de sel, des produits désinfectants, des javellisants ou des composés de nettoyage en contact avec l'acier inoxydable pendant des périodes prolongées. Plusieurs de ces composés renferment des produits chimiques qui pourraient être nocifs. Rincez avec de l'eau après l'exposition et séchez avec un chiffon propre.

Avant d'appeler le service de réparation

Dépannage

Consultez le Guide d'utilisation et d'entretien pour les renseignements de dépannage. Consultez aussi la garantie dans le même guide.

Lorsque vous téléphonez, soyez prêt à fournir les informations imprimées sur la plaque signalétique du produit. Pour joindre un technicien en réparation, consultez les coordonnées à la fin du manuel. Avant de communiquer, veuillez prendre note des numéros complets de modèle et de série imprimés sur l'étiquette de la plaque signalétique du produit.

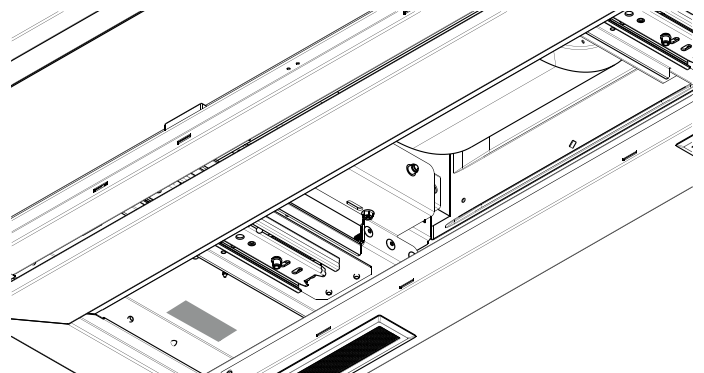
Remplacement d'une ampoule à DEL

Seul un technicien en réparation peut remplacer les ampoules à DEL. Consultez les coordonnées pour joindre un technicien en réparation.

Données de la plaque signalétique du produit

Les données de la plaque signalétique présentent les numéros de modèle et de série. Elles sont localisées sous le filtre. Lorsque vous avez besoin de réparations, consultez les données de l'étiquette.

La plaque signalétique avec les données est apposée sur le cadre derrière le filtre. Pour la visualiser, il faut retirer le filtre.



Índice de Capítulos

Seguridad.....	38
Instrucciones de Seguridad Importantes.....	38
Planificación previa.....	41
Antes de empezar.....	41
Información general.....	42
Preparación para la instalación.....	43
Factores a tener en cuenta para la instalación.....	43
Requisitos eléctricos.....	44
Configuraciones comunes de ductos.....	46
Transición de la campana.....	46
Instrucciones Instalación.....	47
Preparación del gabinete de cocina.....	48
Montaje del cajón de la campana.....	49
Conexión Eléctrica.....	50
Instalación del control remoto (opcional).....	51
Kit de recirculación (opcional).....	52
Reemplazar el filtro de carbón (opcional).....	52
Lista de verificación del instalador.....	53
Antes de llamar al servicio técnico.....	53
Etiqueta de datos nominales del producto.....	53

Definiciones de Seguridad

⚠ ADVERTENCIA

Esto indica que pueden producirse la muerte o heridas graves si no se cumple con esta advertencia

⚠ PRECAUCIÓN

Esto indica que pueden producirse heridas leves o moderadas si no se cumple con esta advertencia.

ATENCIÓN: Esto indica que pueden producirse daños en el aparato o en los bienes si no se cumple con este aviso.

Nota: Esto alerta sobre información y/o sugerencias importantes.

Este aparato THERMADOR® está fabricado por
 BSH Home Appliances Corporation
 1901 Main Street, Suite 600
 Irvine, CA 92614

¿Tiene preguntas?
 1-800-735-4328

www.thermador.com

¡Esperamos tener noticias tuyas pronto!



INSTRUCCIONES DE SEGURIDAD IMPORTANTES LEER Y CONSERVAR ESTAS INSTRUCCIONES

INSTALADOR: Conservar estas instrucciones para que las use el inspector de electricidad local. Dejar estas instrucciones con esta unidad para el propietario. Mostrar al propietario la ubicación del breaker del circuito o del fusible. Marcarla para recordar más fácilmente.

PROPIETARIO: Conserve estas instrucciones para referencia futura.

ADVERTENCIA

Si no sigue la información de este manual exactamente, se puede ocasionar un incendio o una descarga eléctrica que pueden causar daños materiales o lesiones personales.

ADVERTENCIA



Si no sigue la información de este manual exactamente, se puede ocasionar un incendio o una descarga eléctrica que pueden causar daños materiales, lesiones personales o la muerte.

- NO almacenar ni usar gasolina u otros vapores y líquidos inflamables en la proximidad de este aparato o cualquier otro.
- QUÉ HACER SI SE DETECTA OLOR A GAS
 - NO trate de encender ningún aparato.
 - NO toque ningún interruptor eléctrico.
 - NO utilice ningún teléfono en su edificio.
 - Llame inmediatamente a su proveedor de gas desde un teléfono vecino. Siga las instrucciones del proveedor de gas.
 - Si no puede contactar a su proveedor de gas, comuníquese con el departamento de bomberos.
- La instalación y el mantenimiento deben ser realizados por un servicio técnico autorizado, una agencia de servicio técnico o por el proveedor de gas.

ADVERTENCIA

Apagar el circuito de alimentación eléctrica en el panel de servicio y bloquear el panel antes de conectar los cables de este aparato. Requisito: 120 VAC, 60 Hz 15 A. Dejar que se enfríe el aparato después de apagar la alimentación eléctrica y antes de realizar el mantenimiento del aparato.

ADVERTENCIA

Dispositivo con funcionamiento automático
Para reducir el riesgo de sufrir lesiones, desconectar de la fuente de alimentación antes de realizar el mantenimiento.

ADVERTENCIA

PARA REDUCIR EL RIESGO DE INCENDIO, DESCARGA ELÉCTRICA O LESIONES SOBRE LAS PERSONAS, CUMPLIR LO SIGUIENTE:

- Utilizar esta unidad solo de la manera prevista por el fabricante. Si surge alguna pregunta, ponerse en contacto con el fabricante en la dirección y teléfono que aparecen en la página posterior.
- Antes de limpiar o realizar el mantenimiento de la unidad, apagar el interruptor de electricidad en el panel de servicio y bloquear el panel de servicio para evitar una conexión accidental de la corriente. Si no es posible bloquear el panel de servicio, colocar alguna forma de advertencia visible, como una nota, sobre los interruptores del panel de servicio.

ADVERTENCIA

NO reparar ni reemplazar ninguna pieza del electrodoméstico, a menos que se recomiende específicamente en los manuales.

Una instalación, servicio o mantenimiento inadecuados pueden causar lesiones o daños materiales. Consultar este manual para recibir ayuda. Todos los demás servicios debe realizarlos un técnico de mantenimiento autorizado.

ADVERTENCIA



PELIGRO DE DESCARGA ELÉCTRICA

- NO retirar las conexiones.
- NO usar un cable de extensión.
- No seguir estas instrucciones puede producir la muerte o una descarga eléctrica.



INSTRUCCIONES DE SEGURIDAD IMPORTANTES

LEER Y CONSERVAR ESTAS INSTRUCCIONES

Instrucciones para la conexión a tierra

ADVERTENCIA

La conexión incorrecta a tierra puede causar una descarga eléctrica.

Este electrodoméstico debe estar conectado a tierra. En caso de cortocircuito, la conexión a tierra reduce el riesgo de descarga eléctrica, ya que se trata de un cable de salida por el que puede desviarse la corriente eléctrica.

Asegurarse de que el aparato está correctamente instalado y conectado a tierra por un técnico calificado. La instalación, las conexiones eléctricas y la conexión a tierra deben cumplir con todos los códigos correspondientes.

Si el Código Nacional Eléctrico (o el Código Eléctrico Canadiense) así lo requiere, este aparato debe instalarse en un circuito dedicado por separado.

ADVERTENCIA

Para reducir el riesgo de incendio o de descarga eléctrica, **NO** usar este aparato con ningún controlador de velocidad de estado sólido.

Códigos y normas de seguridad

Este aparato cumple con las siguientes normas:

- UL 507, la norma de seguridad para ventiladores eléctricos.
- CSA-C22.2 n.º 113, para ventiladores y ventilaciones.

Es responsabilidad del propietario y del instalador determinar si se aplican otros requisitos y/o normas en instalaciones específicas.

PRECAUCIÓN



La unidad es pesada y se requieren al menos dos personas o un equipo adecuado para trasladarla e instalarla.

Las superficies ocultas podrían tener bordes afilados. Tener cuidado al manejar el electrodoméstico. No hacerlo puede causar daños materiales o lesiones personales.

ADVERTENCIA

Advertencias en virtud de la Proposición 65 del estado de California:

Este producto puede exponerle a sustancias químicas, incluyendo cloruro de vinilo, que el estado de California sabe que provocan cáncer, defectos congénitos u otros daños reproductivos. Para obtener más información, acceder a www.P65Warnings.ca.gov.

No modificar ni alterar la construcción del electrodoméstico. Por ejemplo, no retirar los paneles, las cubiertas para cables ni las placas de fijación o los tornillos.

PRECAUCIÓN

Solo para un uso de ventilación general. **NO** utilizar para la evacuación de materiales y vapores peligrosos o explosivos.

ADVERTENCIA

Para reducir el riesgo de incendio, utilizar únicamente conductos metálicos.

Usar un instalador calificado.

Retirar toda la cinta y el embalaje antes de usar el electrodoméstico. Destruir el embalaje después de la instalación. No dejar nunca que los niños jueguen con el material de embalaje.

ADVERTENCIA

PARA REDUCIR EL RIESGO DE INCENDIO, DESCARGA ELÉCTRICA O LESIONES SOBRE LAS PERSONAS, CUMPLIR LO SIGUIENTE:

- El trabajo de instalación y de conexión del cableado eléctrico debe ser realizado por una persona o personas calificadas de acuerdo con todos los códigos y normas aplicables, incluida la construcción relacionada con incendios.
- Se necesita una cantidad suficiente de aire para la correcta combustión y extracción de gases a través de la salida de humos (chimenea) del equipo de quema de combustible para evitar el reflujo. Seguir las pautas del fabricante de equipos de calefacción y las normas de seguridad como las publicadas por la Asociación Nacional de Protección contra Incendios (NFPA) y la Sociedad Americana de Ingenieros de Calefacción, Refrigeración y Aire Acondicionado (ASHRAE) y las autoridades locales de códigos.
- Cuando se corte o perfore la pared o el techo, no dañar el cableado eléctrico ni otros sistemas ocultos.
- Los ventiladores entubados siempre deben evacuarse hacia el exterior.



INSTRUCCIONES DE SEGURIDAD IMPORTANTES

LEER Y CONSERVAR ESTAS INSTRUCCIONES

ADVERTENCIA

PARA REDUCIR EL RIESGO DE UN INCENDIO POR GRASA:

- No dejar nunca las unidades de la superficie desatendidas con ajustes de calor elevado.
- Los derrames provocan humo y salpicaduras de grasa que pueden incendiarse. Calentar el aceite lentamente, con temperaturas bajas o medias.
- ENCENDER siempre la campana al cocinar a fuego alto o al flambear (p.ej. crepes Suzette, cerezas Jubilee, carne de res flambeada a la pimienta).
- Limpiar los ventiladores con frecuencia. No debe permitirse la acumulación de grasa en un ventilador o filtro.

ADVERTENCIA

PARA REDUCIR EL RIESGO DE LESIONES SOBRE LAS PERSONAS EN CASO DE INCENDIO POR GRASA, CUMPLIR LO SIGUIENTE:

- SOFOCAR LAS LLAMAS con una tapa ajustada, una bandeja para hornear o una bandeja metálica y a continuación, apagar la zona de cocción. TENER CUIDADO PARA EVITAR QUEMADURAS. Si las llamas no se apagan inmediatamente, EVACUAR EL LUGAR Y LLAMAR AL DEPARTAMENTO DE BOMBEROS.
- NO AGARRAR NUNCA UN SARTÉN EN LLAMAS: se pueden sufrir quemaduras.
- NO UTILIZAR AGUA ni trapos o toallas húmedos: podría producirse una explosión de vapor violenta.
- Utilizar un extintor SOLO si:
 - a) Se tiene un extintor de clase ABC y se sabe cómo manejarlo.
 - b) El fuego es pequeño y se mantiene en la zona donde comenzó;
 - c) Se ha llamado al departamento de bomberos;
 - d) Se puede combatir el fuego con una vía de escape a su espalda.

^aBasado en los «Kitchen Fire Safety Tips» [Recomendaciones de seguridad contra incendios en la cocina] publicados por la NFPA.

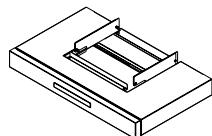
Planificación previa

Antes de empezar

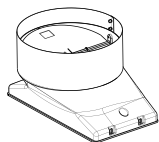
PRECAUCIÓN

Antes de realizar la instalación, APAGAR la alimentación eléctrica en el panel de servicio. Bloquear el panel de servicio para impedir que se ENCIENDA accidentalmente la alimentación eléctrica.

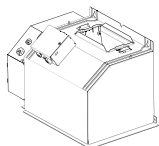
Partes incluidas



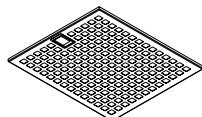
Campana extractora ensamblada (lámparas y ventilador ya instalados)



Transición de aire de 6"



Carcasa del ventilador



Filtros antigrasa



Juego de elementos de fijación*

*Los elementos de fijación suministrados son para el montaje en estructuras de madera a través de tablaroca o yeso de grosor estándar. Los instaladores son los responsables de proporcionar los elementos de fijación para otro tipo de situaciones de instalación.

Herramientas y partes necesarias

- Ducto según se necesite (consultar la tabla Longitudes equivalentes del ducto con las transiciones más comunes)
- Cinta de aluminio (NO usar cinta para ductos)
- Tubo de 1/2" (13 mm) si es necesario (cumplir con los códigos locales)
- Prensacable de 1" (25.4 mm)
- Ducto según se necesite
- Desarmadores plano y Phillips
- Taladro con broca de 3/16" (4.76 mm)
- Sierra circular o caladora
- Desarmador de caja o dado y matraca de 3/8" (9.52 mm)
- Pelacables
- Guantes de trabajo de protección

IMPORTANTE: NO tirar ningún embalaje antes de que el aparato esté completamente instalado.

Hay disponibles accesorios opcionales para su compra por separado.

Consultar www.thermador.com para obtener más información.

- RECHMDW30: kit de recirculación modelo de 30"
- RECHMDW36: kit de recirculación modelo de 36"
- CHFHMDW30: kit de reemplazo del filtro de carbón modelo de 30"
- CHFHMDW36: kit de reemplazo del filtro de carbón modelo de 36"

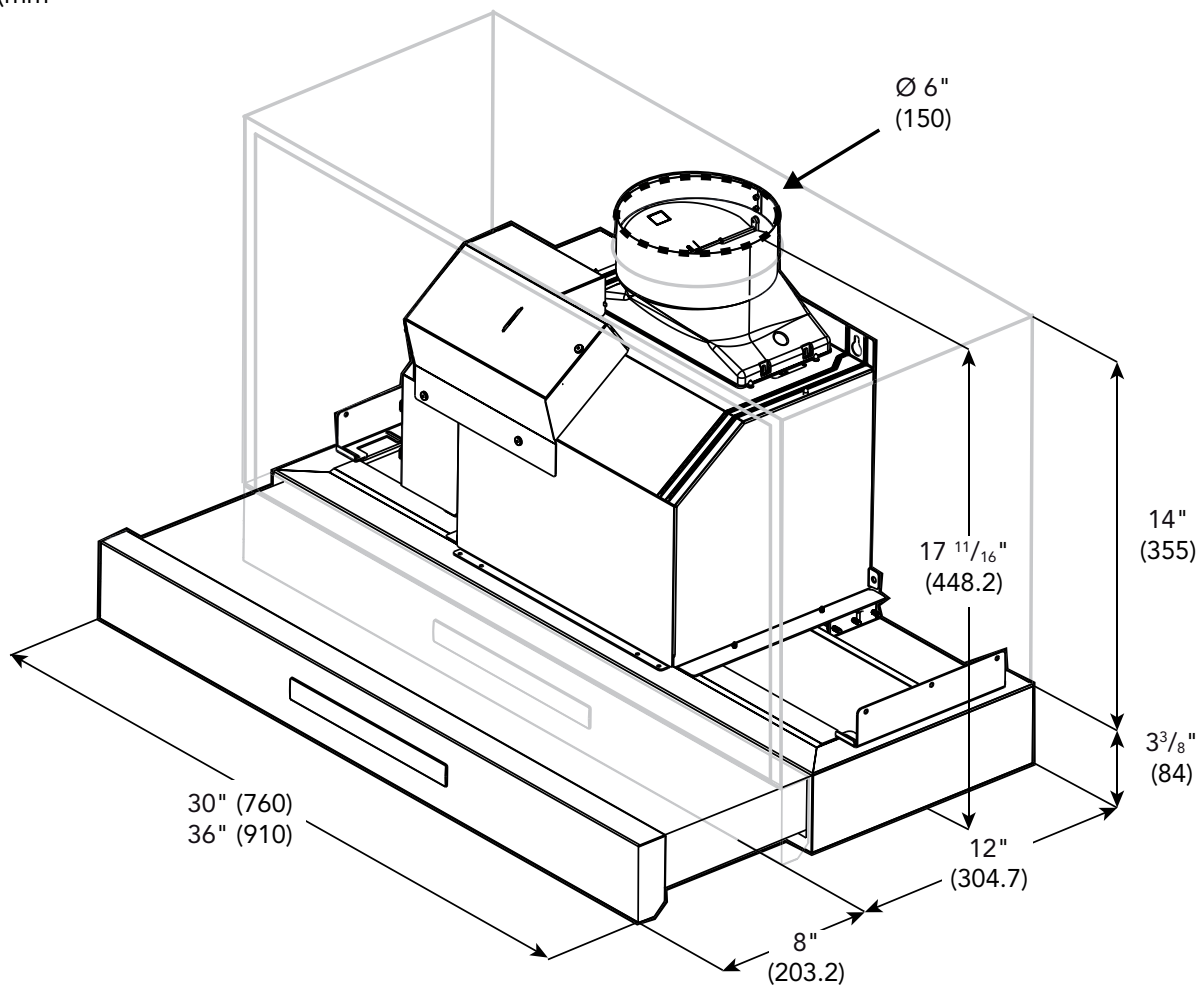
Información general

Dimensiones generales

HMDW30WS y HMDW36WS

Esta serie de modelos tiene 20" (508 mm) de profundidad con el cajón abierto o 12" (305 mm) con él cerrado, con anchuras de 30" (762 mm) y 36" (914 mm). Cuenta con un armazón de acero inoxidable cepillado con iluminación LED.

pulgadas (mm)



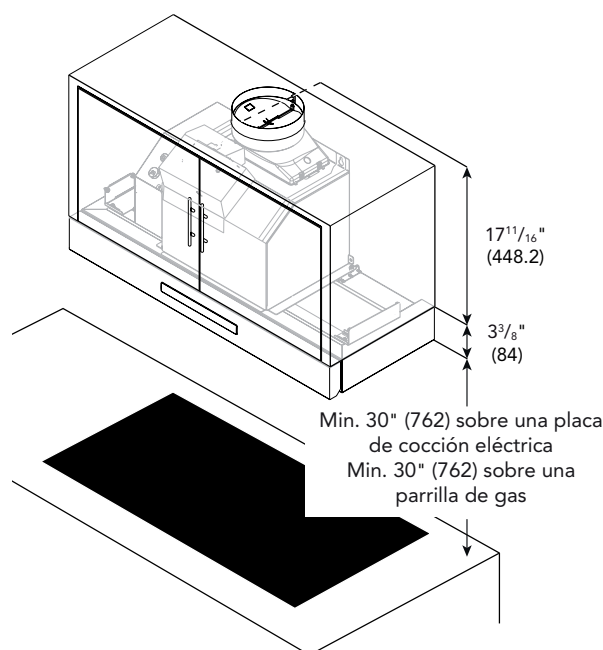
NOTA: La transición se centra horizontalmente.

Preparación para la instalación

Factores a tener en cuenta para la instalación

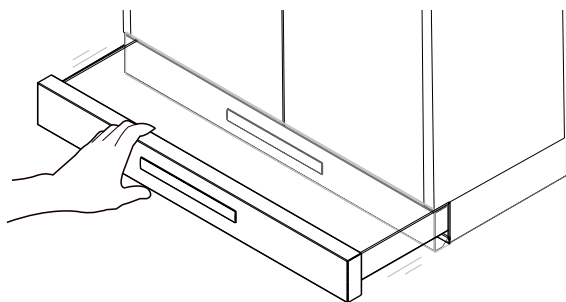
Distancias y requisitos

La altura de instalación de la campana sobre la placa de cocción, estufa de sobreponer o estufa puede variar. Para obtener la altura de instalación necesaria sobre una placa de cocción, estufa de sobreponer o estufa, consultar el manual de instalación del aparato.



Anchura de la campana extractora

La anchura de la campana extractora no debe ser inferior a la anchura de la superficie de cocción. Para que el rendimiento sea el adecuado, la carcasa debe cubrir la totalidad de la superficie de cocción del aparato. Si no hay limitaciones de espacio se puede usar una campana extractora más ancha para aumentar la superficie de aspiración. El frontal del área de aspiración se puede ampliar 8" (203 mm) tirando del cajón de la campana extractora.



Para obtener un rendimiento adecuado, la campana extractora debe estar centrada horizontalmente sobre la superficie de cocción.

Distancia desde la superficie de cocción

Para instalaciones de parrillas y estufas de gas: montar la campana extractora de forma que la distancia entre la parte inferior y la superficie de cocción sea de 30" (76.2 cm) como mínimo.

Para instalaciones de placas de cocción eléctricas/inducción y estufas: montar la campana extractora de forma que la distancia entre la parte inferior y la superficie de cocción sea de 30" (76.2 cm) como mínimo.

ATENCIÓN: El calor puede dañar la campana extractora si se utilizan a la vez varias zonas de cocción de la placa de cocción de la serie THERMADOR MASTERPIECE® con ajustes de calor elevado debajo de una campana extractora instalada con las distancias mínimas.

Peso del aparato

Esta campana extractora de ventilación es pesada. Se debe proporcionar la estructura y el soporte adecuados en todos los tipos de instalaciones.

Al calcular la carga para el sistema de soporte de la carcasa, asegurarse de tener en cuenta el peso del aparato de ventilación.

Unidad	Peso
30" (76 cm)	50.7 lb (23 kg)
36" (91 cm)	55.1 lb (25 kg)

IMPORTANTE:

Los pesos mencionados solo se aplican al aparato de ventilación y al ventilador. El instalador debe tener en cuenta el peso del material de construcción al calcular la carga permanente total de la instalación, incluso, sin limitarse a ello, de los elementos siguientes: pared, baldosas, cemento, yeso, ladrillos, acabados, tabiques y otros componentes arquitectónicos y estructurales. Es responsabilidad del propietario y del instalador determinar si se aplican otros requisitos o normas en instalaciones específicas.

Requisitos eléctricos

Esta unidad requiere un circuito dedicado de 120 VCA, 60 Hz, 15 A.

Se debe conectar la campana únicamente a un circuito dedicado específicamente (con conexión a tierra) que haya sido instalado de acuerdo con las reglamentaciones correspondientes.

Consultar los códigos locales de construcción para averiguar el método adecuado de instalación. En EE. UU., si no existen códigos locales vigentes, esta unidad debe instalarse de acuerdo con la edición más reciente de la norma 70 del Código Nacional de Electricidad ANSI/NFPA. En Canadá, la instalación debe realizarse de acuerdo con los códigos de instalación CAN 1- B149.1 y .2 para aparatos de gas y/o los códigos locales.

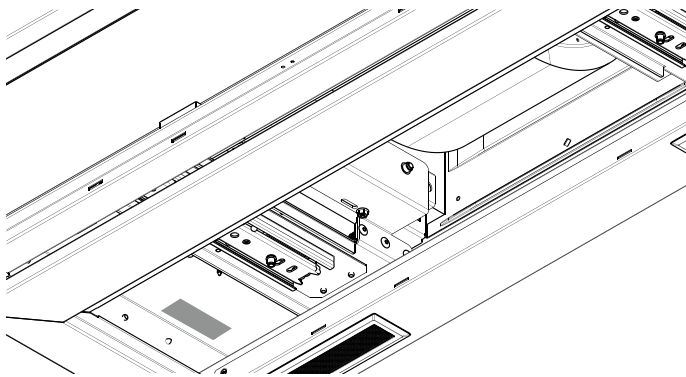
El electrodoméstico debe estar conectado a tierra. En caso de cortocircuito, la conexión a tierra reduce el riesgo de descarga eléctrica, ya que se trata de un cable de salida por el que puede desviarse la corriente eléctrica.

ADVERTENCIA

El electrodoméstico debe estar conectado a tierra.

Datos eléctricos en la etiqueta de datos nominales

Los datos, incluidos el número de modelo y el número de serie, se encuentran en la etiqueta de datos nominales situada dentro del aparato, visible cuando se extrae el marco del filtro.



Preparación de los ductos

Dirección de descarga

El aire debe ser evacuado hacia arriba mediante un ducto. La campana se puede montar solamente con una descarga vertical.

Recomendaciones para el ducto

Un rendimiento adecuado depende de un ducto adecuado. Los códigos de construcción locales pueden requerir que se use un sistema de aire de recambio cuando se use un sistema de ventilación con ductos, superior a la cantidad especificada de pies cúbicos por minuto (CFM) de desplazamiento de aire.

El CFM especificado varía de un lugar a otro. Es responsabilidad del propietario y del instalador determinar si se aplican otros requisitos o normas en instalaciones específicas.

NO USAR DUCTOS FLEXIBLES. Estos ductos crean presión de retorno/turbulencias y reducen el rendimiento. Usar siempre ductos metálicos.

Instalar siempre una rejilla metálica de ventilación en el lugar por el que el ducto salga de la casa. La campana solo debe evacuar el aire hacia el exterior del edificio.

TEMPERATURAS FRÍAS: Las instalaciones en zonas con unas condiciones meteorológicas frías deben tener un amortiguador de contraflujo para minimizar la entrada de aire frío del exterior y un aislante térmico no metálico para reducir la conducción de las temperaturas exteriores hacia la red de ductos. El amortiguador debe colocarse en el lado del aire frío del aislante térmico. El aislante se debe instalar tan cerca como sea posible de la parte donde el ducto entra en la parte caliente de la casa.

AIRE DE RECAMBIO: Los códigos de construcción local puede requerir que se use un sistema de aire de recambio cuando se usa un sistema de ventilación con ductos cuya cantidad de desplazamiento de aire es superior a lo que está indicado.

El CFM especificado varía de un lugar a otro. Es responsabilidad del propietario y del instalador determinar si se aplican otros requisitos o normas en instalaciones específicas.

Por razones de seguridad, el ducto debe evacuar directamente el aire hacia el exterior (y no en el ático, bajo la casa, en el garaje o en un espacio cerrado).

THERMADOR® recomienda que la longitud equivalente del ducto no exceda de 50 pies (15.24 m).

Instalar el ducto lo más corto y recto posible. Los codos y las transiciones reducen la eficacia de la circulación de aire.


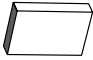
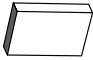
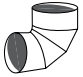
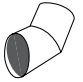
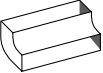
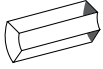
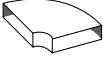
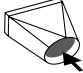
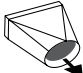
El uso de dos tubos en forma de "S" da malos resultados y no es recomendable.

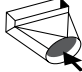
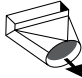
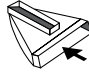
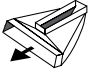
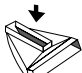
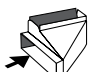


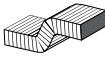
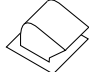
El uso de un ducto corto y recto en el lugar donde se instala un ventilador a distancia da mejores resultados.

Las campanas se suministran con una transición redonda de 6" (152 mm). Se requiere una transición suministrada localmente para otros tamaños.

Utilizar la tabla de "Longitudes equivalentes de ducto para transiciones de uso común" para calcular la longitud total aceptable del ducto entre la campana y el exterior.

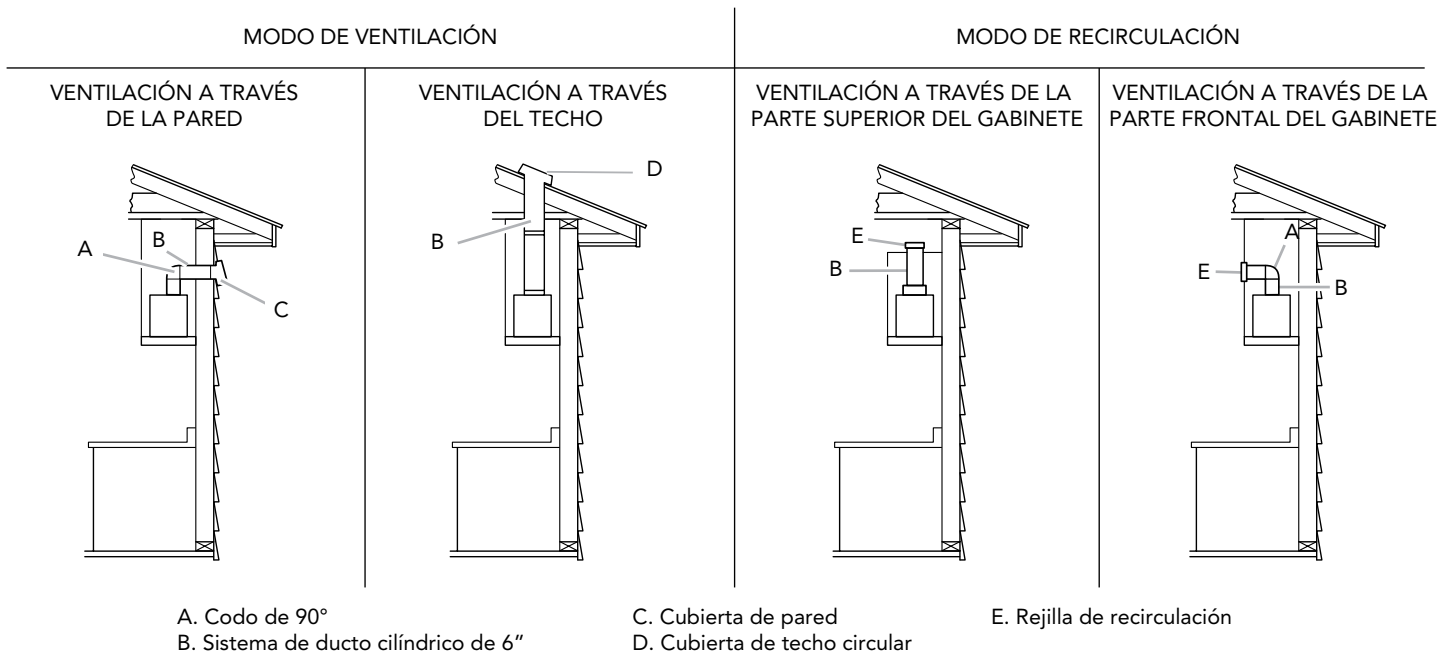
Longitudes equivalentes de ducto para transiciones de uso común

Pieza de ducto	Tamaño (pulgadas)	Longitud equivalente (pies)
 Circular, recto	6	1.2
	8	0.7
	10	0.6
 3/4" x 10", recto	N/D	1
 3/4" x 14", recto	N/D	0.7
 Codo a 90°, circular	6	12
	8	6
	10	5
 Codo a 45°, circular	6	5
	8	3
	10	2
 3/4" x 10" codo a 90°, circular	N/D	5
 3/4" x 10", codo a 45°, circular	N/D	15
 3/4" x 10", codo plano	N/D	20
 Circular a 3/4" x 10"	6	1
	8	10
 3/4" x 10" a circular	6	5
	8	2

Pieza de ducto	Tamaño (pulgadas)	Longitud equivalente (pies)
 Circular a codo de 3/4" x 10" a 90°	6	10
 3/4" x 10" a codo circular a 90°	6	10
 3/4" x 10", codo invertido central, izquierda	N/D	15
 3/4" x 10", codo invertido central, derecha	N/D	25
 3/4" x 10", codo invertido izquierda	N/D	15
 3/4" x 10", codo invertido izquierda	N/D	25
 Tapa circular de pared	6	2
	8	2
	10	2
 Tapa circular de techo	6	2
	8	2
	10	2
 2" longitud, 3/4" x 10" flexible	N/D	20
 3/4" x 10", soporte de fijación y toma de techo	N/D	2

NOTA: Estas partes de instalación de uso frecuente se pueden adquirir en ferreterías locales. Thermador no fabrica todas estas piezas.

Configuraciones comunes de ductos



NOTA: la ilustración no representa todas las configuraciones o los métodos de instalación. La imagen se debe usar SOLO como una guía.

Métodos de ventilación

Esta campana extractora viene ajustada de fábrica para la ventilación a través del techo (descarga vertical) o a través de la pared (descarga horizontal). Se necesita un sistema de ducto cilíndrico de 6" (152 mm) para la instalación (no incluido).

NOTA: no se recomienda un ducto flexible. Los ductos flexibles provocan contrapresión y turbulencias y reducen considerablemente el rendimiento.

El sistema de ventilación puede terminar a través del techo o de la pared.

Instalar siempre una cubierta de ventilación metálica en el lugar de la carcasa donde salga el ducto.

Para instalaciones (de recirculación) sin ventilación

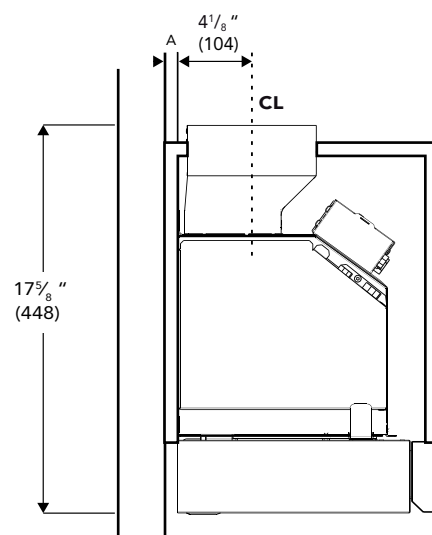
Si no es posible ventilar los humos y vapores de cocción al exterior, esta campana extractora de cocina se puede usar en la versión (de recirculación) sin ventilación con el kit de recirculación (se vende por separado). Los humos y vapores se reciclan a través de la rejilla.

Consultar apartado de accesorios opcionales.

Transición de la campana

Transición para descarga vertical

La campana extractora se envía lista para la descarga vertical. La transición suministrada con la campana extractora se conecta a un ducto cilíndrico estándar de 6" (152 mm). La ilustración muestra la transición conectada para la descarga vertical.



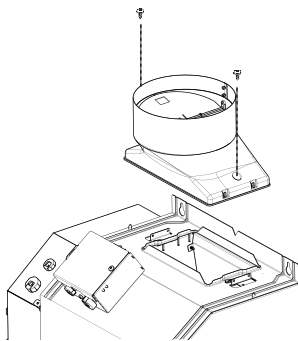
A. Espesor del material de la pared posterior del gabinete

Instrucciones Instalación

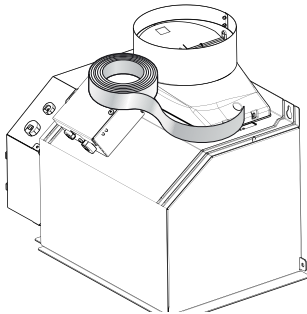
Ensamblaje de la transición

Se requiere una altura libre mínima de $4\frac{5}{16}$ " (110 mm) sobre la campana extractora para montar la transición. Consultar las dimensiones de la campana extractora en la sección de Información general.

1. En función de la dirección de la descarga, alinear los agujeros de instalación en la base de la transición con los agujeros de instalación en la parte superior de la campana extractora.
2. Fijar la transición a la campana extractora con dos (2) tornillos para placas metálicas de $\frac{1}{4}$ " (6 mm) incluidos con la campana.



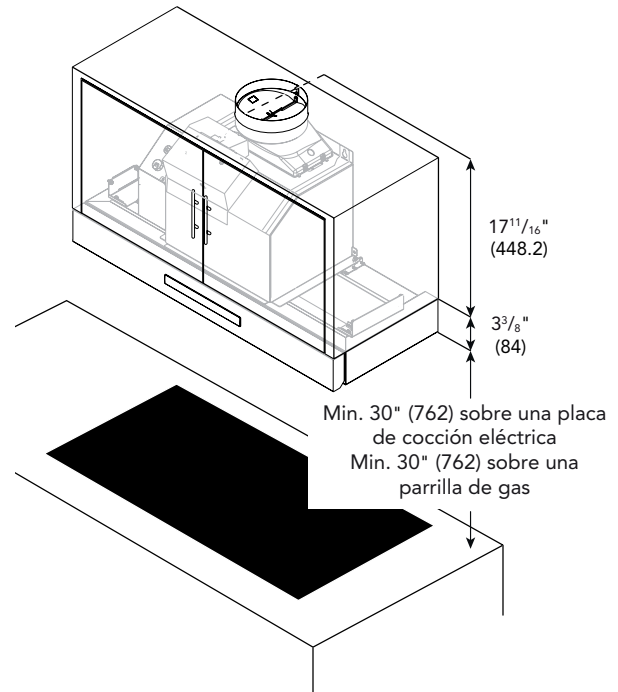
3. Sellar la junta entre la transición y la campana extractora con cinta de aluminio. **NO** usar cinta para ductos. Asegurarse de que la conexión está completamente sellada.



4. Quitar la cinta que sujeta el amortiguador en posición cerrada.

Instalación

Determine la altura de instalación



La gráfica superior muestra un montaje típico de una campana extractora. Se puede adquirir un kit de recirculación opcional.

Para instalaciones de parrillas y estufas de gas: montar la campana extractora de forma que la distancia entre la parte inferior y la superficie de cocción sea de 30" (76.2 cm) como mínimo.

Para instalaciones de placas de cocción eléctricas/inducción y estufas: montar la campana extractora de forma que la distancia entre la parte inferior y la superficie de cocción sea de 30" (76.2 cm) como mínimo.

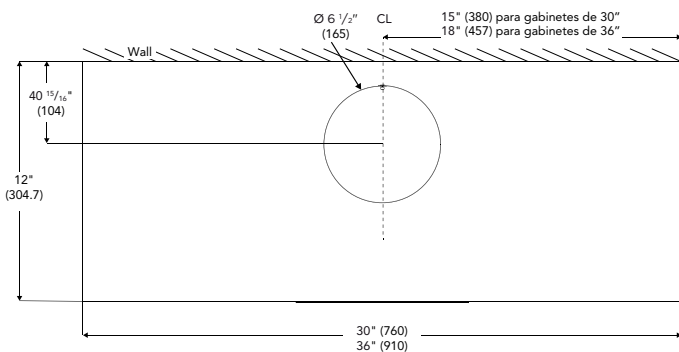
ATENCIÓN: El calor puede dañar la campana extractora si se utilizan a la vez varias zonas de cocción de la placa de cocción de la serie THERMADOR MASTERPIECE® con ajustes de calor elevado debajo de una campana extractora instalada con las distancias mínimas

Preparación del gabinete de la cocina

Esta campana extractora solo se puede montar en gabinetes de 14" (355 mm) de altura y 12" (305 mm) de profundidad.

El gabinete de la cocina debe ser capaz de soportar al menos 88 lb (40 kg). Debido al peso de la campana, asegurarse de que el soporte de instalación de madera está fijado a todos los pernos de pared disponibles.

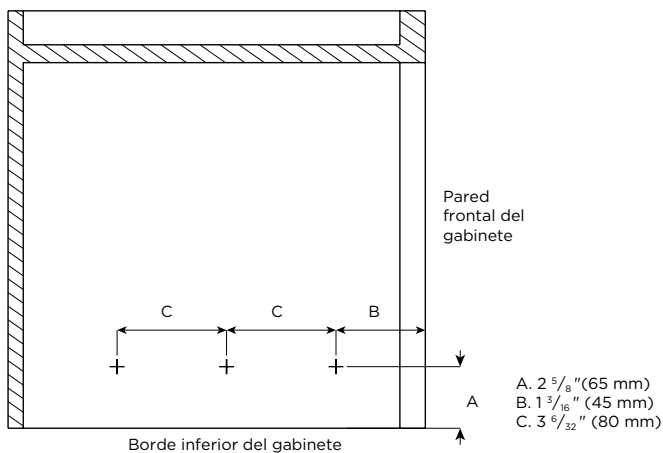
- Usar el diagrama como plantilla y marcar la ubicación en la parte superior del gabinete para los ductos. Se recomienda hacer las marcas y los cortes antes de instalar el gabinete.



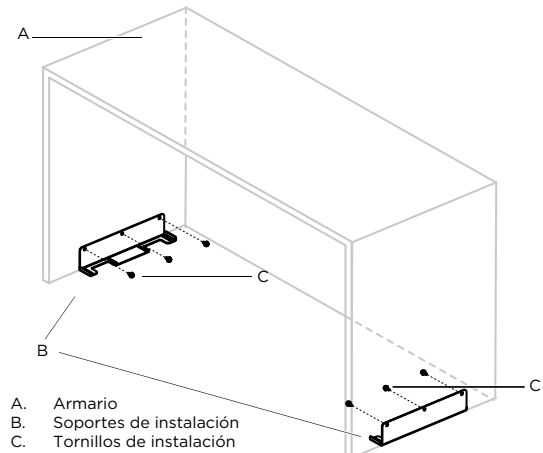
- Usar una sierra de sable o de punta para recortar la parte inferior del gabinete dentro del marco del mismo.
- Terminar la preparación del gabinete siguiendo las instrucciones acorde con el tipo de ventilación. Determinar las ubicaciones de los recortes de ventilación y hacer las aberturas en los gabinetes, paredes y/o parte inferior de la estructura.

Instalación del soporte de cajón al gabinete

1. Con la ayuda de un lápiz, localice las 3 marcas señaladas en el diagrama inferior al interior de las caras laterales del gabinete.

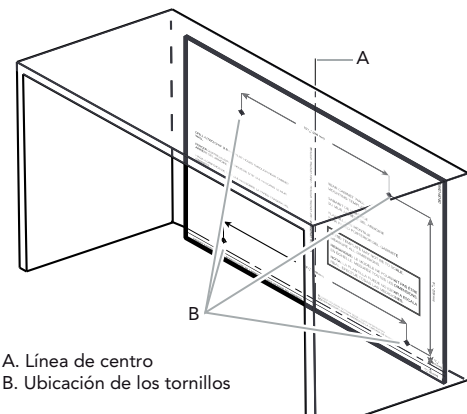


2. Coloque las estafas laterales sobre las marcas hechas y atorníllelas con 3 tornillos de montaje.



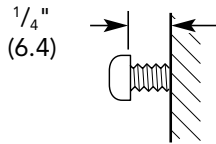
Instalar la carcasa del ventilador

1. **DESCONECTAR** la alimentación eléctrica en el panel de servicio. Bloquear el panel de servicio para impedir que se **CONECTE** la alimentación eléctrica.
2. Asegurarse de que se respeta una altura de instalación de 30" (762 mm) desde la parte inferior de la campana extractora hasta la superficie de cocción.
3. Marcar una línea central de referencia en la pared posterior del gabinete.
4. Sujetar la plantilla con cinta adhesiva para alinear la línea central de la plantilla a la línea central marcada en la pared posterior de los gabinetes.

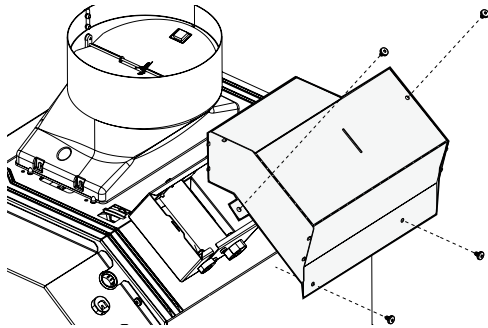


5. Marcar los centros de las ubicaciones de los elementos de sujeción en la pared a través de la plantilla. **IMPORTANTE:** todos los tornillos se deben instalar en la madera. Si no existe madera para atornillarlos, se necesitan armazones de soporte de pared adicionales.
6. Retirar la plantilla.
7. Taladrar agujeros guía de 3/16" (4.8 mm) en todos los sitios en los que se coloquen los tornillos en la madera.

8. Colocar los dos tornillos de instalación de 5 x 45 mm. Dejar una separación de 1/4" (6.4 mm) entre la pared y la parte trasera de la cabeza del tornillo para colocar la campana extractora en su lugar.

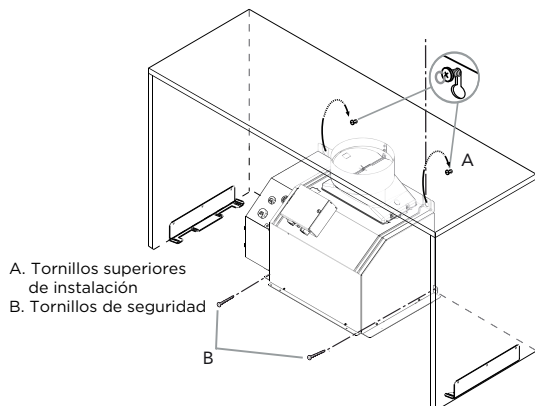


9. Retire la tapa de la caja eléctrica para llevar a cabo la instalación.



10. Con la ayuda de dos o más personas, colgar la carcasa del ventilador sobre los dos tornillos de instalación a través de las ranuras de instalación de la parte posterior de la campana.

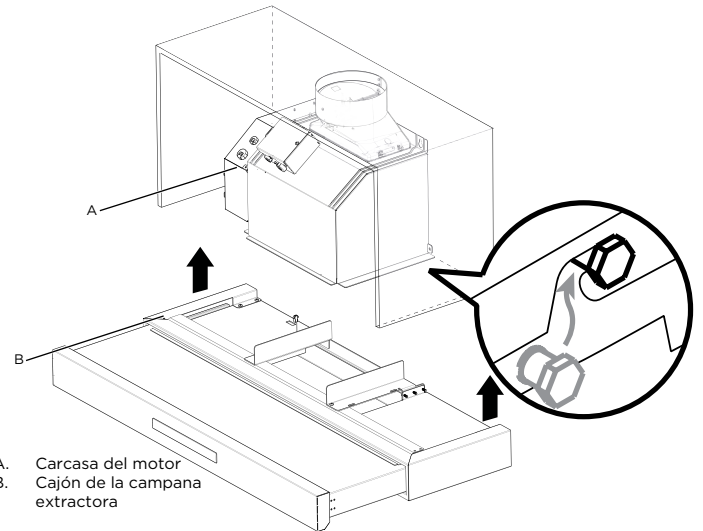
11. Instalar los tornillos de instalación inferiores de 2 - 5 x 45 mm con arandelas planas y apretarlos.



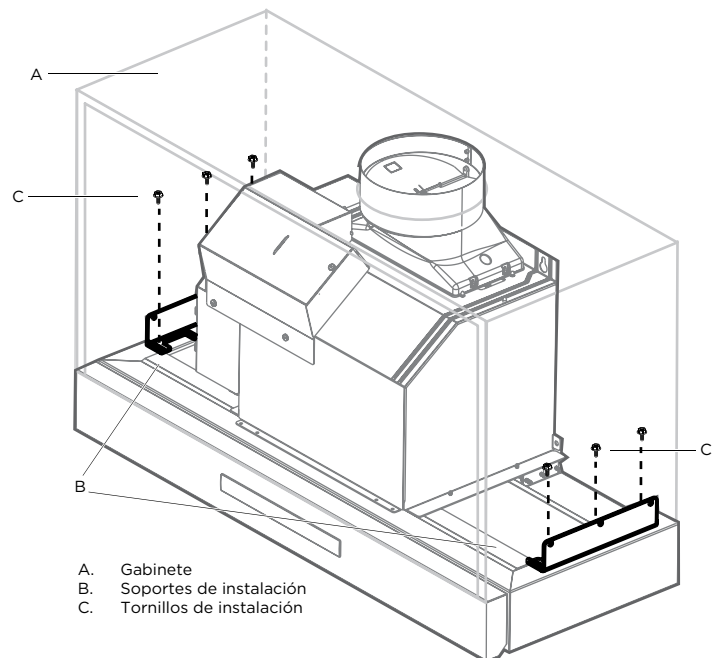
Apretar los tornillos de instalación superiores.

Montaje del cajón de la campana extractora

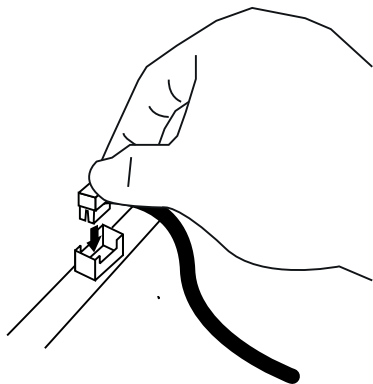
1. Con ayuda de 2 o más personas, elevar la campana extractora por debajo de la carcasa del motor. Introducir los pines del cajón de la campana extractora en las ranuras inferiores de la carcasa. Tras introducir los cuatro pines, la campana extractora queda suspendida.



2. Abrir el cajón de la campana extractora y sujetar la cubierta de la misma a la carcasa del ventilador. Apretar para fijarlo.
3. Atornillar las 2 placas de fijación al cajón con 4 tornillos de instalación. (consultar imagen abajo).
NOTA: antes de apretar los tornillos comprobar que no hay hueco entre la cubierta de la campana y el borde inferior del gabinete.

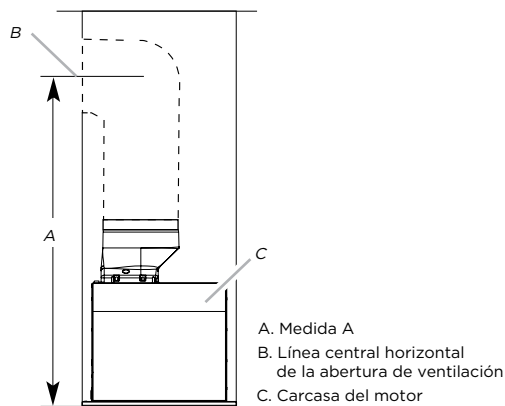


4. Soltar el conector del cajón y extenderlo hasta la parte superior de la carcasa del ventilador.
5. Enchufar el conjunto del conector de cables suministrado con la carcasa del ventilador al conector de acoplamiento de la campana extractora



Conectar el sistema de ventilación

1. Ajustar el sistema de ventilación sobre la salida de ventilación.
2. Medir desde la parte inferior del deflector hasta la parte inferior de la salida de la campana extractora. Cortar el ducto según la longitud medida.



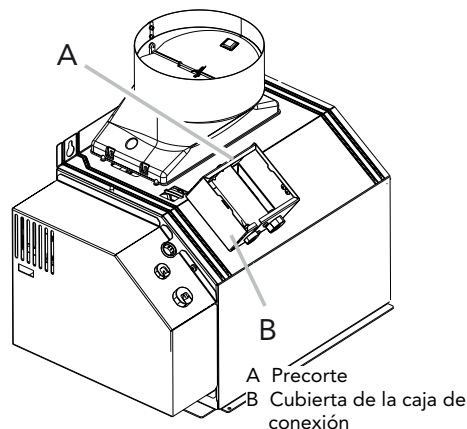
3. Sellar la conexión con abrazaderas.

Conexión eléctrica

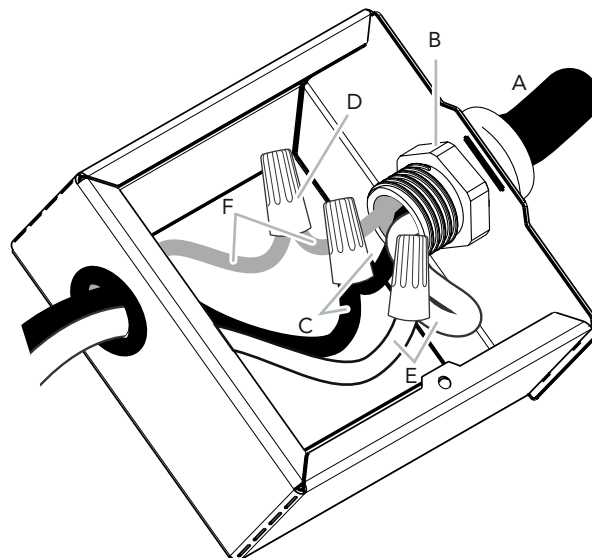
⚠ ADVERTENCIA

Peligro de descarga eléctrica
Desconectar la alimentación eléctrica antes de proceder al mantenimiento.
Sustituir todas las partes y paneles antes de proceder. No hacerlo puede producir la muerte o una descarga eléctrica.

- Desconectar la alimentación eléctrica.
 - Retirar la cubierta de la caja de distribución.
4. Retirar el orificio ciego de la cubierta de la caja de distribución e instalar un prensacables de ½" UL certificado o CSA aprobado.



- Colocar el cable de la red eléctrica de la casa a través del prensacables en la caja de distribución.



- | | |
|---|--|
| A. Cable de la red eléctrica de la casa | D. Conectores de cable UL certificados |
| B. Prensacables UL certificado o CSA aprobado | E. Cables blancos |
| C. Cables negros | F. Cables a tierra verdes (o pelados) y amarillo verdoso |

- Usar los conectores de cable UL certificados y conectar los cables negros (C) conjuntamente.
- Usar los conectores de cable UL certificados y conectar los cables blancos (E) conjuntamente.

⚠ ADVERTENCIA

Peligro de descarga eléctrica ventilador conectado eléctricamente a tierra.
Conectar el cable a tierra al cable a tierra amarillo verdoso en la caja de distribución. No hacerlo puede producir la muerte o una descarga eléctrica.

- Conectar el cable a tierra verde (o pelado) del cable de la alimentación eléctrica de la casa al cable a tierra amarillo verdoso (F) en la caja de distribución usando el conector de cable UL certificado.
- Apretar el tornillo del prensacables.
- Instalar la cubierta de la caja de distribución.
- Volver a conectar a la red eléctrica.

Instalación del control remoto (opcional)

Antes de empezar, leer con atención estas instrucciones. Se recomienda conectar el control remoto a la campana después de instalar la campana.

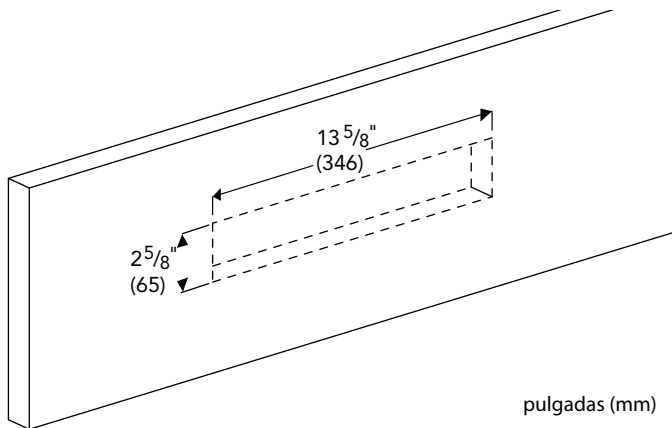
REMCPW, piezas incluidas

- 1 control remoto
- 1 arnés de extensión de 30 pies

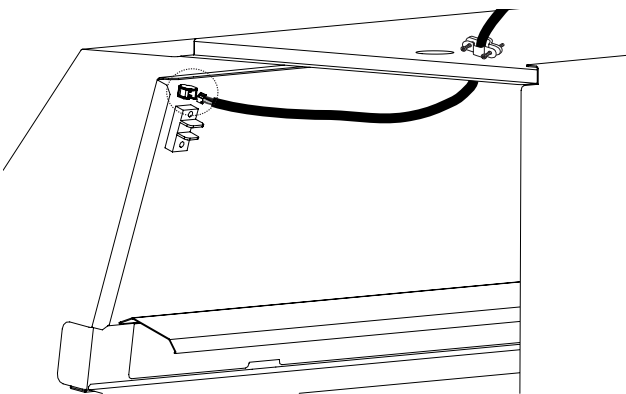
IMPORTANTE: Cortar un conector al aparato o al kit del cable de extensión anulará la garantía.

Instalación del control remoto

1. Preparar el agujero en la pared (o superficie similar) para la instalación como se muestra abajo (la vista se muestra mirando de frente la pared).

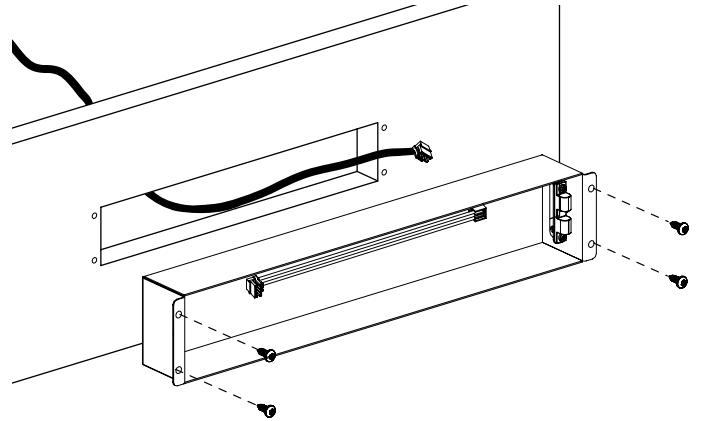


2. Acceso al cableado de la campana extractora. Pasar el arnés de extensión de 30 pies a través de la protección contra jalones al clip de montaje cuadrado, hasta que haga clic.

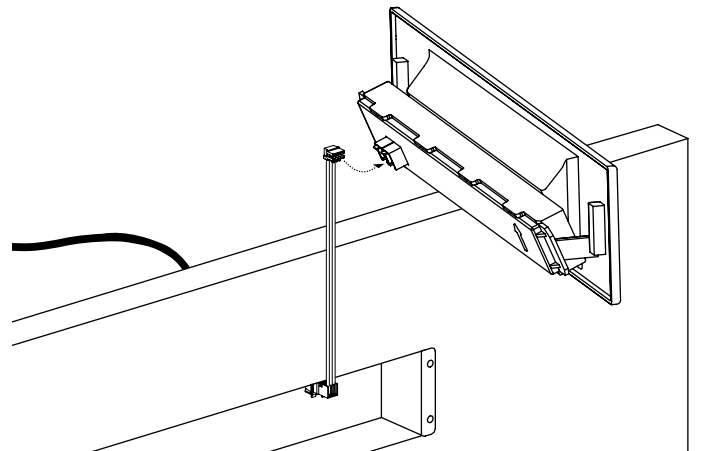


3. Pasar el arnés de extensión de 30 pies a través del agujero y conectar el arnés a la parte posterior de la placa de fijación del control remoto.

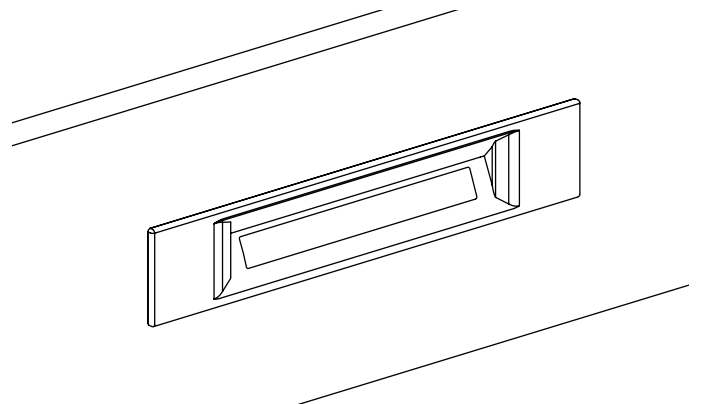
4. Presionar la placa de fijación dentro del agujero. Taladrar un agujero roscado de $\frac{1}{4}$ " (6 mm) a través de los agujeros de la placa de fijación en la pared. Colocar la placa de fijación a la pared, usando los cuatro (4) tornillos suministrados.



5. Conectar el conector del arnés de cables dentro de la placa de fijación al terminal en la parte posterior del control remoto. Usar cualquiera de las terminales.



6. Ajustar el control remoto en la placa de fijación.

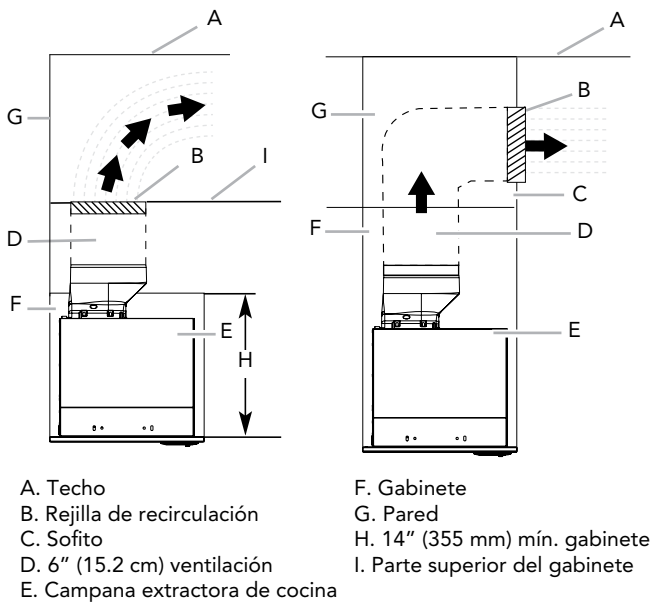


Kit de recirculación (opcional)

Cuando se use en modo de recirculación, usar solo el kit de conversión modelo RECHMDW30 y RECHMDW36 para reducir el riesgo de incendio y de descarga eléctrica. Si no es posible ventilar los humos y vapores de cocción al exterior, se puede usar la campana extractora en la versión (de recirculación) sin ventilación con el kit de recirculación. Los humos y vapores se reciclan a través de la rejilla circular. Consultar apartado de accesorios opcionales.

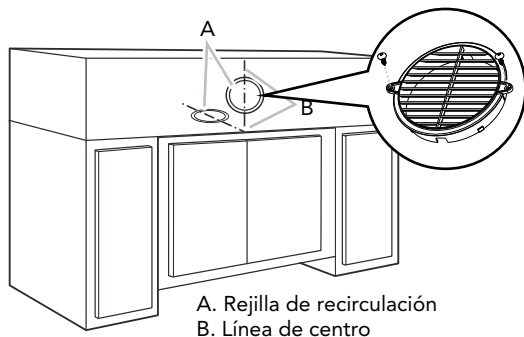
Instalación a través de la parte de abajo de la estructura / gabinete

En función de la instalación de recirculación se debe tener en cuenta el siguiente diagrama:



1. Medir y marcar la línea central del gabinete en la parte inferior de la estructura encima.
2. Medir desde la parte inferior del gabinete hasta la línea central de dónde la ventilación saldrá a través de la parte inferior de la estructura. Marcar la ubicación y usar una sierra de sable o de punta para hacer un orificio de 5 $\frac{3}{4}$ " (14.6 cm) para la rejilla de recirculación.

Instalar la rejilla de recirculación con los 2 tornillos suministrados.



Reemplazar el filtro de carbón (opcional)

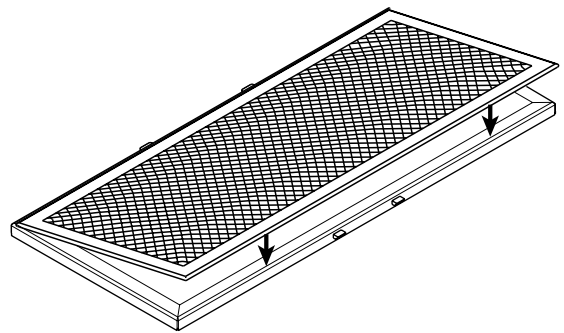
- El filtro de carbón no se puede limpiar. Se debe sustituir cada 4-6 meses (en función del uso de la campana extractora).
- El filtro de carbón debe sujetarse a la parte de atrás del filtro antigrasa.

NOTA: NO enjuagar ni poner el filtro de carbón en un lavavajillas automático.

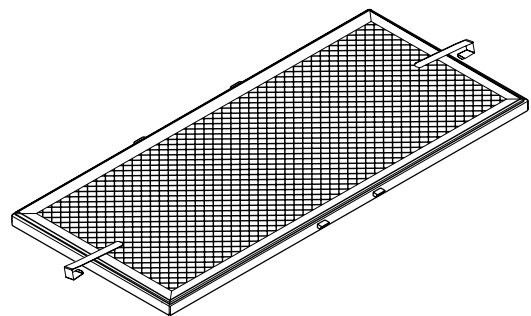
Instalación del filtro de carbón

Si no le es posible expulsar los humos y vapores de la cocina al exterior, la campana puede ser usada en su versión filtrante, utilizando el kit de filtros de carbón. Los humos y vapores son reciclados a través del filtro de carbón.

1. Retire los filtros de grasa de la campana.
2. Coloque el filtro de carbón en la parte posterior del filtro de grasa.



3. Coloque 2 clips en el lugar indicado (ver la imagen) para fijar el filtro de carbón al filtro de grasa.



NOTA: Los filtros de carbón no pueden ser limpiados. Deben ser reemplazados cada 4 o 6 meses (dependiendo del uso de la campana).

Lista de verificación del instalador

Comprobación final

- _____ Se mantienen los espacios libres especificados con respecto a las superficies de los gabinetes.
- _____ El aparato está nivelado.
- _____ Se retiró todo el material de embalaje.
- _____ Conexión a tierra adecuada.
- _____ El propietario conoce la ubicación del breaker principal
- _____ INSTALADOR: Escribir el número de modelo y el número de serie que se encuentran en la etiqueta de datos nominales del producto en la Guía de uso y cuidado. Dejar la Guía de uso y cuidado junto con las instrucciones de instalación al propietario del aparato.
- _____ INSTALADOR: Dejar las instrucciones de Home Connect™ al propietario del aparato. Para utilizar todo el potencial de las funciones del electrodoméstico, el propietario debe descargar la aplicación Home Connect™ en su dispositivo inteligente y emparejar el electrodoméstico con el dispositivo Wi-Fi doméstico.

Limpiar y proteger las superficies exteriores

- Las superficies de acero inoxidable se pueden limpiar frotando con un paño húmedo y enjabonado, enjuagando con agua limpia y secando con un paño suave para evitar marcas de agua. Cualquier limpiacri- tales suave eliminará las huellas dactilares y las manchas.
- Para pulir y proteger el acero inoxidable, aplicar un acondicionador de acero inoxidable con un paño suave. El acondicionador de acero inoxidable Thermador se puede comprar en la tienda electrónica en línea. (www.thermadoreshop.com). Número de referencia para pedido 00576697.
- NO dejar que los depósitos se mantengan durante mucho tiempo.
- NO usar fibras de acero ni cepillos de acero comunes. Se pueden adherir pequeños trozos de acero a la superficie causando óxido.
- NO dejar que las soluciones salinas, desinfectantes, blanqueadores o compuestos de limpieza permanezcan en contacto con el acero inoxidable durante períodos prolongados. Muchos de estos compuestos contienen sustancias químicas que podrían ser dañinas. Enjuagar con agua después de la exposición y secar con un paño limpio.

Antes de llamar al servicio técnico

Solución de problemas

Consultar la Guía de uso y cuidado para obtener información sobre la solución de problemas. Consultar la garantía en la Guía de uso y cuidado.

En el momento de llamar, tener preparada la información que aparece en la etiqueta de datos nominales del producto. Para comunicarse con un representante de servicio, consulte la información de contacto en la parte posterior del manual. Antes de llamar, anotar el modelo completo y el número de serie impresos en la etiqueta de datos nominales del producto.

Sustituir una luz LED

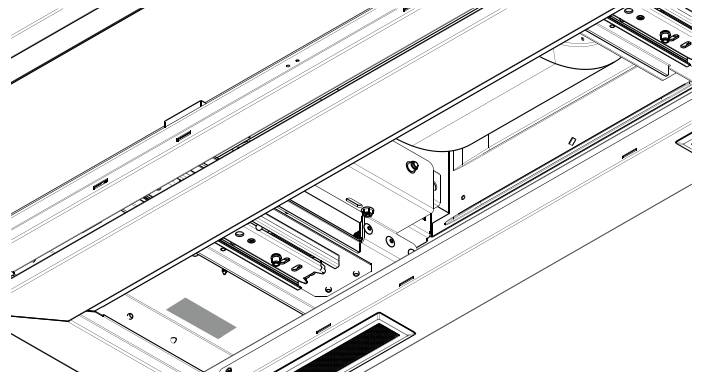
Las luces LED solo pueden ser reemplazadas por un técnico de servicio. Consultar la información de contacto del servicio técnico.

Etiqueta de datos nominales del producto

En la etiqueta de datos nominales se muestran el modelo y el número de serie.

Se encuentra situada debajo del filtro. La etiqueta de datos nominales incluye información sobre el modelo y el número de serie. Consultar la etiqueta de datos nominales del electrodoméstico al solicitar servicio técnico.

La etiqueta de datos nominales se encuentra en el marco situado detrás del filtro. Retirar el filtro para verla.





1901 MAIN STREET, SUITE 600, IRVINE, CA 92614 // 800-735-4328 // WWW.THERMADOR.COM
© 2018 BSH Home Appliances Corporation
LIB0144482/9001396688