

Thermador® | *An American Icon*™

VENTILATION USE AND CARE MANUAL

MODEL: HMCN 36 FS / 42 FS

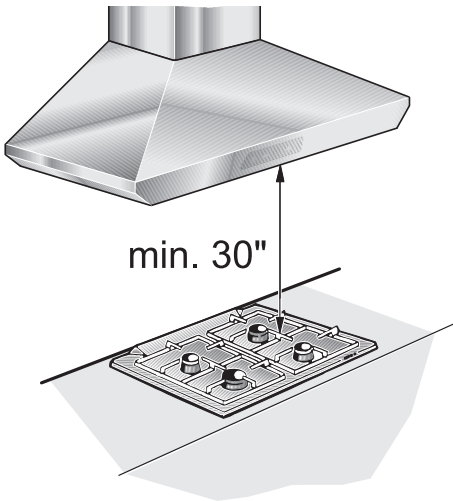


en	page	3–11
fr	pages	13–21
es	página	23–31

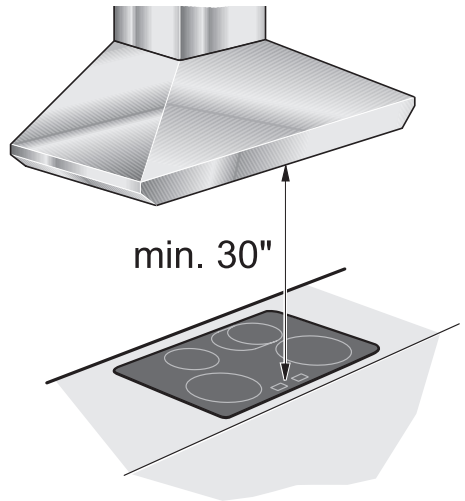
TABLE OF CONTENTS

Safety Instructions	4	Replacing the Bulbs	9
Important notes	5	Troubleshooting guide	10
Operation	6	Customer Services	10+11
Filters and Maintenance	7	Before Calling for Service	10
Care and Cleaning	8	Cover How to Obtain Service	10
		Warranty	11
		Data Plate Information	11

Fig. 1
GAS



ELECTRIC



IMPORTANT SAFETY INSTRUCTIONS

Read All Instructions Before Using the Appliance.

READ AND SAVE THESE INSTRUCTIONS

WARNING – TO REDUCE THE RISK OF A RANGE TOP GREASE FIRE:

- a) Never leave surface units unattended at high settings. Boilovers cause smoking and greasy spillovers that may ignite. Heat oils slowly on low or medium settings.
- b) Always turn hood ON prior to cooking on high or when flambéing food (i.e. Crepes Suzette, Cherries Jubilee, Peppercorn Beef Flambé).
- c) Clean ventilating fans frequently. Grease should not be allowed to accumulate on fan or filter.
- d) Use proper pan size. Always use cookware appropriate for the size of the surface element.

Caution: Grease left on filters can remelt and move into the vent.

When children become old enough to use the appliance, it is the legal responsibility of the parents or legal guardians to ensure that they are instructed in safe practices by qualified persons.

WARNING – TO REDUCE THE RISK OF INJURY TO PERSONS IN THE EVENT OF A COOKTOP GREASE FIRE, OBSERVE THE FOLLOWING:

- a) SMOTHER FLAMES with a close-fitting lid, cookie sheet, or metal tray, then turn off the burner. BE CAREFUL TO PREVENT BURNS. If the flames do not go out immediately, EVACUATE AND CALL THE FIRE DEPARTMENT.
- b) NEVER PICK UP A FLAMING PAN. You may be burned.
- c) DO NOT USE WATER, including wet dish cloths or towels. A violent steam explosion will result.
- d) Use an extinguisher ONLY if:
 - 1) You know you have a Class ABC extinguisher, and you already know how to operate it.
 - 2) The fire is small and contained in the area where it started.
 - 3) The fire department is being called.
 - 4) You can fight the fire with your back to an exit.

WARNING: Whenever possible, do not operate blower during a cooktop fire. However, DO NOT REACH THROUGH FIRE TO TURN OFF BLOWER.

IMPORTANT NOTES

- ❑ The Instructions for Use apply to several versions of this appliance. Accordingly, you may find descriptions of individual features that do not apply to your specific appliance.
- ❑ This hood complies with all relevant safety regulations.
Repairs should be carried out by qualified technicians only.




Improper repairs may put the user at considerable risk.

- ❑ Before using your appliance for the first time, please read these Instructions for Use carefully. They contain important information concerning your personal safety as well as on use and care of the appliance.
- ❑ Please retain the operating and installation instructions for a subsequent owner.

EXHAUST-AIR MODE:

- ❑ The hood fan extracts the kitchen vapors and conveys them through the grease filter into the atmosphere.
- ❑ The grease filter absorbs the solid particles in the kitchen vapors.
- ❑ The kitchen is kept almost free of grease and odors.

 **When the hood is operated in exhaust-air mode simultaneously with a different burner which also makes use of the same chimney** (such as gas, oil or coal-fired heaters, continuous-flow heaters, hot-water boilers) care must be taken to **ensure that there is an adequate supply of fresh air** which will be needed by the burner for combustion.

Safe operation is possible provided that the under pressure in the room where the burner is installed does not exceed 4 Pa (0.04 mbar).

This can be achieved if combustion air can flow through non-lockable openings, e.g. in doors, windows and via the air-intake/exhaust-air wall box or by other technical measures, such as reciprocal interlocking, etc.



Avoid carbon monoxide poisoning – Provide adequate air intake so combustion gases are not drawn back into the room.

An air-intake/exhaust-air wall box by itself is no guarantee that the limiting value will not be exceeded.

Note: When assessing the overall requirement, the combined ventilation system for the entire household must be taken into consideration. This rule does not apply to the use of cooking appliances, such as cooktops and ovens.

TRANSPORTATION PROTECTION DEVICE:

- ❑ The transportation protection device prevents the canopy from moving.
- ❑ Check that the installer has removed the transportation protection device (see installation manual).
- ❑ Please retain the transportation protection device for possible future need.

Gas Cooktops / Gas Ranges:



Avoid risk of burns or damage to extractor hood.

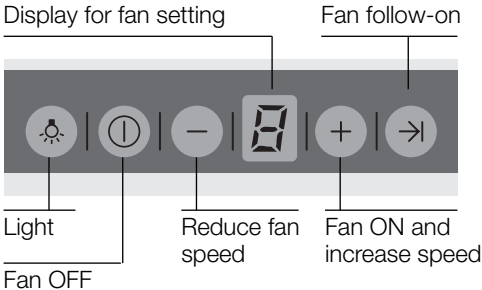
Do not use all gas burners simultaneously at high settings for a prolonged period (max. 15 minutes).

If the hood is located over a gas cooktop, operate the hood at maximum setting whenever three or more gas burners are being used.

OPERATION

IMPORTANT: The most effective method of removing vapors produced during cooking is to:

- Switch the ventilator ON** prior to cooking or as soon as you begin cooking.
- Switch the ventilator OFF** a few minutes after you have finished cooking.



Acoustic signal:

- When a button is pressed, this is verified by an acoustic signal.

Switching off the acoustic signal:

- Simultaneously press buttons **0** and **+** until a signal is emitted after approx. 3 seconds.

Switching on the acoustic signal:

- Repeat the process.

Switching the fan ON

- Press the **+** button or pull out the filter drawer.

Setting the required fan speed:

- Press the **+** button.
The fan speed is increased by one step.
- Press the **-** button.
The fan speed is reduced by one step.

Switching the fan OFF:

- Press the **0** button.
The displayed goes out shortly afterwards.
Or:
- Keep pressing the **-** button until the fan switches off.
The displayed goes out shortly afterwards.

Intensive setting:

Maximum power is obtained at the intensive setting.

It is only required for short intervals.

- Keep pressing the **+** button until a appears in the display.
- If the intensive setting is not cancelled by hand, the fan will automatically switch back to step after 10 minutes.

Fan follow-on:

- Press the **→** button or push in the filter drawer.
The fan runs for 10 minutes at setting **1**.
At the same time a dot flashes in the display.
Then the fan switches off automatically.

Lighting:

- Briefly press the button to switch the light on and off.
- The light can be switched on at any time, even though the fan is switched off.
- Adjusting the brightness:**
Hold down the button until the desired brightness is obtained.

FILTERS AND MAINTENANCE

GREASE FILTERS:

Metal filters are used to trap the greasy element of the vapors that develop during cooking.

The filter mats are made from non-combustible metal.

Caution:

As the filter becomes more and more saturated with grease, not only does the risk of it catching fire increase but the efficiency of the hood can also be adversely affected.

Important:

By cleaning the metal grease filters at appropriate intervals, the possibility of them catching fire as a result of a build-up of heat such as occurs when deep-fat frying or roasting is taking place, is reduced.

Saturation indicator: $\bar{\equiv}$

When the grease filters reach saturation point, an acoustic signal is sounded for 6 seconds after the fan has switched off, and an $\bar{\equiv}$ appears in the display. The grease filters should be cleaned right away.

Cleaning the metal grease filters:

- In normal operation (1 to 2 hours daily), the metal grease filter must be cleaned 1 x a month.
- The filters can be cleaned in a dishwasher. It is however possible that they will become slightly discolored.
- The filter must be placed loosely, and NOT wedged, in the dishwasher.

Important:

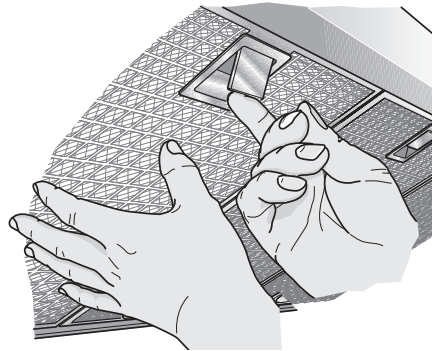
Metal filters that are saturated with grease should not be washed together with other dishes etc.

- When cleaning the filters by hand, soak them in hot soapy water first of all. Do not use aggressive, acidic or caustic cleaners. Then brush the filters clean, rinse them thoroughly and leave the water to drain off.

Removing and inserting the metal grease filters:

⚠ Warning: Avoid risk of burns. The halogen bulbs must be switched off and cool.

1. Pull the catch on the grease filters and lower the grease filters. At the same time take hold of the underside of the grease filter with your other hand.



2. Clean the filter.
3. Insert the clean filter back into the hood.
4. Cancel the $\bar{\equiv}$ in the display: Press the button ON/OFF.

CARE AND CLEANING



WARNING To avoid risk of fire and explosion do not use flammable liquids or solvents.

Always unplug or disconnect the appliance from the power supply before servicing.

IMPORTANT: Do not clean the hood with abrasive sponges or with cleaning agents which contain sand, soda, acid or chlorine!

- Clean the hood with a hot soap solution or a mild window cleaner.
- Do not scrape off dried-on dirt but wipe off with a damp cloth.
- When cleaning the grease filters, remove grease deposits from accessible parts of the housing.
This prevents the risk of fire and ensures that the hood continues operating at maximum efficiency.
- Note:** Do not use alcohol (spirit) on plastic surfaces, as dull marks may appear.

Caution: Observe all instructions and cautions provided with cleaners.

IMPORTANT: Clean the operating buttons with a mild soapy solution and a soft, damp cloth only.

Do not use stainless-steel cleaner to clean the operating buttons.

Stainless steel surfaces:

- Use a mild non-abrasive stainless steel cleaner.
- Clean the surface in the same direction as it has been ground and polished.
- We recommend the stainless steel cleaner Fantastik® or Formula 409® **sprayed onto a paper towel.**

Aluminum and plastic surfaces:

- Do not use dry cloths.
- Use a mild window cleaning agent.
- Do not use aggressive, acidic or caustic cleaners.

Observe the warranty regulations in the enclosed service booklet.

REPLACING THE BULBS

⚠ CAUTION. Avoid risk of electric shock.

1. Switch off the hood and pull out the mains plug or switch off the electricity supply at the fuse box.

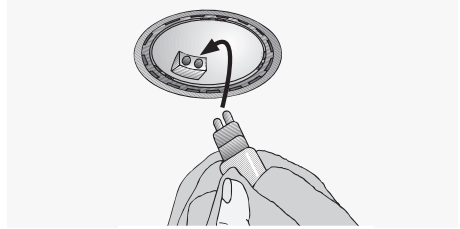
⚠ CAUTION. Avoid risk of burns.

Halogen bulbs become very hot and remain hot for some time after being switched off.

2. Remove the bulb ring with a screwdriver or similar tool.




3. Replace the halogen light bulb (conventional halogen bulb, 12 Volt, max. 20 Watt, G4 bulbholder). **IMPORTANT:** Plug-in bulbholder. Take hold of the bulb with a clean cloth. Finger prints can shorten bulb life.



4. Re-insert the bulb ring.
5. Restore the power by inserting the mains plug or switching on the fuse.

Note: If the light does not function, check that the bulbs have been inserted correctly.

TROUBLESHOOTING GUIDE

Problem	Possible Cause	Remedy
Nothing works – display is not illuminated	Control button board has become disconnected.	Contact qualified appliance service technician.
If an  appears in the display	Filters saturated	See "Filters and Maintenance" Section.
If is not possible to operate the hood	Power failure	Disconnect the hood from the mains electricity supply by pulling out the plug or switching it off at the main fuse box. Wait for approx. 1 minute and then switch it on again.

CUSTOMER SERVICES

Before Calling for Service

If the blower does not operate:

- Ensure that the electrical cord is properly connected and the supply circuit is energized.
- Check that the intake is fully raised.
- Make sure that the blower speed control knob is not in the OFF position.

How to Obtain Service

For authorized service or parts information, call 1-800-735-4328.

We want you to be a satisfied customer. If a situation arises that has not been resolved to your satisfaction, please let us know.

Write: Customer Support, BSH Home Appliances, Corp. 5551 McFadden Ave., Huntington Beach, CA 92649, or call: 1-800-735-4328.

Please include the model number, serial number, and date of original purchase/installation.

CUSTOMER SERVICES

WARRANTY

What is Covered

Full One Year Warranty

For one year from the date of installation or date of occupancy for a new previously unoccupied dwelling, any part which fails in normal home use will be repaired or replaced free of charge. Save your dated receipt or other evidence of the installation/occupancy date. BSH will pay for all repair labor and replacement parts found to be defective due to materials and workmanship. Service must be provided by a BSH Authorized Service Agency during normal working hours.

What is not Covered

1. Service by an unauthorized agency. Damage or repairs due to service by an unauthorized agency or the use of unauthorized parts.
2. Service visits to:
 - Teach you how to use the appliance.
 - Correct the installation. You are responsible for providing electrical wiring and other connecting facilities.
 - Reset circuit breakers or replace home fuses.
3. Damage resulting from accident, alteration, misuse, abuse, improper installation or installation not in accordance with local electrical codes or plumbing codes, or improper storage of the appliance.
4. Repairs due to other than normal home use.

Warranty Application

This warranty applies to appliances used in normal family households. It does not cover their use in commercial situations.

This warranty is for products purchased and retained in the 50 states of the U.S.A., the District of Columbia and Canada. The warranty applies even if you should move during the warranty period. Should the appliance be sold by the original purchaser during the warranty period, the new owner continues to be protected until the expiration date of the original purchaser's warranty period.

BSH DOES NOT ASSUME ANY RESPONSIBILITY FOR INCIDENTAL OR CONSEQUENTIAL DAMAGES. Some states do not allow the exclusion or limitation of incidental or consequential damages, so the above limitation or exclusion may not apply to you. This warranty gives you specific legal rights and you may also have other rights which may vary from state to state or province to province.

Service Data

For handy reference, the serial tag information has been affixed below. Keep your invoice for warranty validation. To obtain service, see previous page.



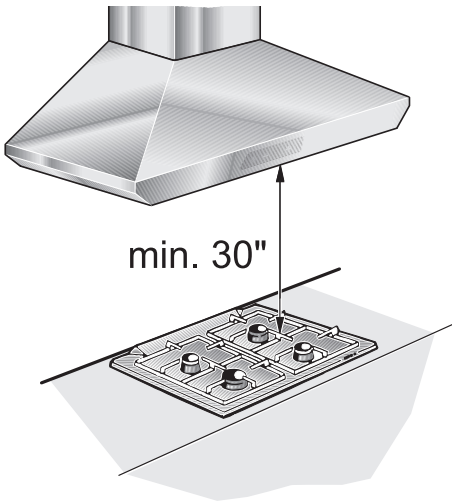
Serial Number/Data Plate Location: Above Electrical Connection Box. See Page 10.

We reserve the right to change specifications or design without notice. Some models are certified for use in Canada. BSH is not responsible for products which are transported from the U.S. for use in Canada. Check with your local Canadian distributor or dealer.

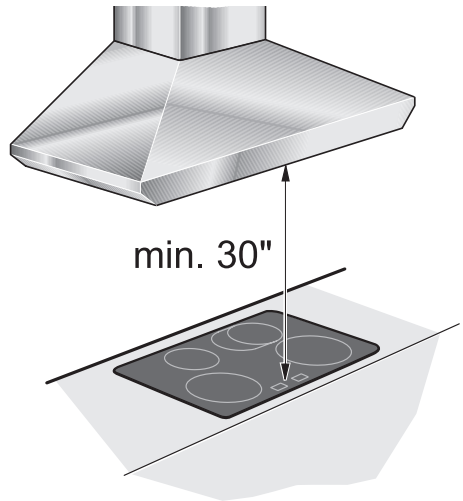
TABLE DES MATIÈRES

Consignes de sécurité	14	Remplacement des ampoules	19
Remarques importantes	15	Guide de dépannage	20
Fonctionnement	16	Service après-vente	20+21
Filtres et maintenance	17	Avant d'appeler le service après-vente	20
Entretien et nettoyage	18	Obtention du service après-vente . . .	20
		Garantie	21
		Indications de la plaque signalétique	21

Fig. 1
GAZ



ÉLECTRIQUE



INSTRUCTIONS DE SÉCURITÉ IMPORTANTES

Lire toutes les instructions avant d'utiliser cet appareil.

LIRE ET CONSERVER CES INSTRUCTIONS

AVERTISSEMENT – POUR RÉDUIRE LE RISQUE DE FEU DE GRAISSE:

- a) Ne jamais laisser un appareil de cuisson sans surveillance à des réglages élevés. Les déversements causent de la fumée et la graisse peut s'enflammer. Chauffer l'huile lentement à réglage bas ou moyen.
- b) Toujours mettre la hotte EN CIRCUIT pendant la cuisson à chaleur élevée ou pour flamber des aliments tels crêpes Suzette, cerises jubiléées, etc.
- c) Nettoyer l'appareil fréquemment. La graisse ne doit pas s'accumuler sur le ventilateur et les filtres.
- d) Utiliser une casserole de format approprié. Utiliser toujours une casserole pour le format d'élément de surface.

Attention : la graisse laissée sur les filtres peut fondre et se déplacer dans l'évent.

Lorsque les enfants sont assez âgés pour utiliser l'appareil, il incombe aux parents ou tuteur légal de s'assurer que les enfants connaissent les pratiques sécuritaires.

AVERTISSEMENT – POUR RÉDUIRE LE RISQUE DE BLESSURES EN CAS DE FEU DE GRAISSE, OBSERVER CE QUI SUIT :

- a) **ÉTOUFFER LES FLANNES** avec un couvercle hermétique, tôle à biscuits ou plateau en métal, puis fermer le brûleur. **ATTENTION À NE PAS SE BRÛLEUR.** Si les flammes ne s'éteignent pas immédiatement, **ÉVACUER ET TÉLÉPHONER AU SERVICE DES INCENDIES.**
- b) **NE JAMAIS PRENDRE UNE CASSEROLE EN FEU.** Risque de brûlures.
- c) **NE PAS UTILISER D'EAU,** incluant chiffon ou serviette humide. Il peut en résulter une violente explosion.
- d) Utiliser un extincteur **SEULEMENT** si :
 - 1) L'on possède un extincteur de classe ABC et que l'on sait s'en servir.
 - 2) Si le feu est petit et contenu là où il a commencé.
 - 3) Si le service des incendies a été appelé.
 - 4) Si l'on peut combattre le feu en ayant le dos vers une sortie.

AVERTISSEMENT : lorsque possible, ne pas actionner le soufflerie pendant un feu sur la plaque de cuisson. Toutefois, **NE PAS PASSER PAR DESSUS LE FEU POUR FERNER LA SOUFFLERIE.**

REMARQUES IMPORTANTES

- ❑ Le mode d'emploi s'applique à plusieurs versions de cet appareil. Ainsi, il se peut que certaines descriptions de caractéristiques individuelles ne correspondent pas exactement à votre appareil.
- ❑ Cette hotte aspirante se conforme à tous les règlements de sécurité pertinents.

Les réparations doivent être effectuées uniquement par des techniciens qualifiés.


MISE EN GARDE

Des réparations réalisées de manière non conforme peuvent entraîner des dangers considérables pour l'utilisateur

- ❑ Avant la première utilisation de l'appareil, veuillez lire attentivement le mode d'emploi. Celui-ci contient d'importantes informations concernant votre sécurité personnelle ainsi que sur l'utilisation et l'entretien de l'appareil.
- ❑ Veuillez conserver la notice d'utilisation et d'installation pour un futur propriétaire de l'appareil.

MODE D'ÉVACUATION D'AIR :

- ❑ Le ventilateur de la hotte aspirante extrait les vapeurs de cuisine et les fait traverser un filtre à graisse avant de les expulser dans l'atmosphère.
- ❑ Le filtre à graisse absorbe les particules solides qui sont présentes dans les vapeurs de cuisine.
- ❑ La cuisine est pratiquement dépourvue de graisses et d'odeurs.

 **Lorsque la hotte aspirante est utilisée en mode d'évacuation d'air simultanément avec un brûleur différent utilisant également la même cheminée,** (tels des appareils de chauffage au gaz, au fuel ou au charbon, des chauffe-eau instantanés ou des chaudières à eau chaude), **veuillez impérativement à ce que l'apport d'air frais soit suffisant** pour assurer la combustion adéquate du brûleur.

Un fonctionnement sans risque est possible si la sous-pression dans la pièce où le brûleur est installé ne dépasse pas 4 Pa (0,04 mbar).

On peut y parvenir en acheminant l'air requis pour la combustion à travers des ouvertures non verrouillables, par exemple dans les portes et fenêtres, et en association avec des ventouses d'admission/d'évacuation d'air fixées au mur ou grâce à d'autres mesures techniques telles qu'un verrouillage réciproque, etc.

MISE EN GARDE

Évitez l'asphyxie par l'oxyde de carbone – Veuillez à prévoir une admission d'air suffisante de façon à ce que les gaz de combustion ne soient pas refoulés dans la pièce.

Une ventouse d'admission ou d'évacuation d'air fixée au mur ne constitue pas à elle seule une garantie que la valeur limite ne sera pas dépassée.

Remarque : lors de l'évaluation de l'exigence globale, toujours tenir compte de l'ensemble des moyens d'aération du logement. Cette règle ne s'applique pas à l'utilisation d'appareils de cuisson, comme les tables de cuisson et les cuisinières.

DISPOSITIF DE PROTECTION D'EXPÉDITION :

- ❑ Le dispositif de protection d'expédition empêche le tiroir à filtre de s'ouvrir.
- ❑ Vérifiez que l'ajusteur a bien retiré ce dispositif (voir le manuel d'installation).
- ❑ Veuillez conserver le dispositif de protection d'expédition au cas où vous déménageriez.

TABLES DE CUISSON/CUISINIÈRES À GAZ :

MISE EN GARDE

Évitez le risque de brûlures ou de détérioration de la hotte aspirante.

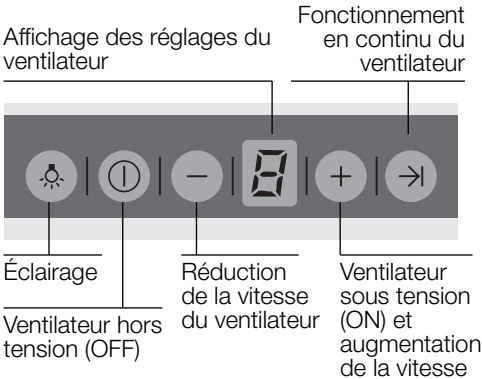
N'utilisez pas tous les brûleurs à gaz simultanément à des températures élevées pendant une période prolongée (max.15 minutes).

Si la hotte aspirante est montée au-dessus d'une table de cuisson à gaz, réglez la hotte sur la puissance maximale si vous avez allumé trois brûleurs ou plus.

FONCTIONNEMENT

IMPORTANT Le moyen le plus efficace d'éliminer les vapeurs de cuisson est le suivant :

- Mettez le ventilateur sous tension (ON)** dès que vous commencez à cuisiner.
- Mettez le ventilateur hors tension (OFF)** quelques minutes après avoir terminé la cuisson.



Signal acoustique :

- Lorsqu'on appuie sur une touche, un signal sonore retentit.

Désactivation du signal sonore :

- Appuyez simultanément sur les touches **0** et **+** jusqu'à ce qu'un signal retentisse au bout d'environ 3 secondes.

Activation du signal sonore :

- Répétez la procédure.

Pour mettre le ventilateur sous tension (ON) :

- Appuyez sur la touche **+** ou ouvrez le tiroir à filtre.

Réglage de la vitesse de ventilateur requise :

- Appuyez sur la touche **+**.
La vitesse du ventilateur augmente d'un cran.
- Appuyez sur la touche **-**.
La vitesse du ventilateur diminue d'un cran.

Pour mettre le ventilateur hors tension (OFF) :

- Appuyez sur la touche **0**.
Le voyant affiché s'éteint peu de temps après.
Ou bien :
- Maintenez la touche **-** enfoncée jusqu'à ce que le ventilateur s'arrête. Le voyant affiché s'éteint peu de temps après.

Réglage intensif :

Le réglage intensif permet d'obtenir une puissance maximale. Ce réglage est requis uniquement pendant de courts intervalles.

- Maintenez la touche **+** enfoncée, jusqu'à ce que le voyant apparaisse sur l'afficheur.
- Si le réglage intensif n'est pas annulé manuellement, le ventilateur passera automatiquement à l'étape **2** au bout de 10 minutes.

Réglage en continu :

- Appuyez sur la touche **→** ou enfoncez le tiroir à filtre.

Le ventilateur fonctionne pendant 10 minutes sur le réglage **1**. Pendant ce temps, un point clignote sur l'afficheur. Puis, le ventilateur s'arrête automatiquement.

Éclairage :

- Appuyez rapidement sur la touche pour allumer et éteindre la lumière.
- On peut allumer et éteindre la lumière à n'importe quel moment, même si le ventilateur est hors tension.
- Réglage de la luminosité :**
Maintenez la touche enfoncée jusqu'à ce que vous ayez obtenu la luminosité voulue.

FILTRES ET MAINTENANCE

FILTRES À GRAISSE :

Les filtres en métal sont utilisés pour piéger les particules graisseuses des vapeurs dégagées pendant la cuisson.

Les nattes filtrantes sont en métal incombustible.


Mise en garde :

Plus le filtre se sature de particules graisseuses, plus il risque de s'enflammer, mais également de nuire au rendement de la hotte aspirante.

Important :

En nettoyant les filtres à graisse en métal à intervalles réguliers, vous réduisez le risque que ceux-ci ne prennent feu en raison de l'accumulation de chaleur comme par exemple pendant la friture ou le rôtissage.

Voyant de saturation :

Lorsque les filtres à graisse atteignent le point de saturation, un signal sonore retentit pendant 6 secondes après l'arrêt du ventilateur, et le voyant  apparaît sur l'afficheur. Les filtres à graisse doivent être nettoyés immédiatement.


Nettoyage des filtres à graisse en métal :

- En fonctionnement normal (1 à 2 heures par jour), le filtre à graisse en métal doit être nettoyé une fois par mois.
- Les filtres peuvent être nettoyés au lave-vaisselle. Cela dit, une légère décoloration peut se produire au lavage.
- Le filtre doit être placé de manière lâche dans le lave-vaisselle et ne doit PAS être coincé.

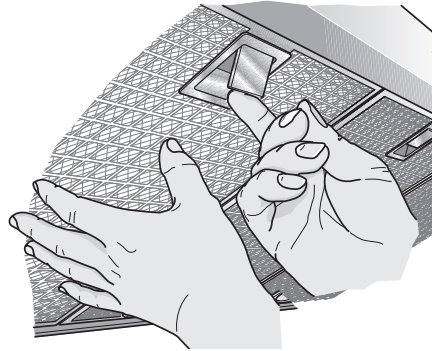
Important Ne lavez pas en même temps la vaisselle et les filtres en métal saturés de graisse.

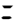
- Si vous nettoyez les filtres à la main, faites-les d'abord tremper dans de l'eau savonneuse chaude. N'utilisez pas de produits de nettoyage trop puissants, acides ou caustiques. Ensuite, brossez les filtres, rincez-les bien et laissez-les s'égoutter.

Retrait et mise en place des filtres à graisse en métal :

 **Avertissement :** Évitez le risque de brûlures. Les ampoules à halogène doivent être éteintes et avoir refroidi.

1. Tirez le cran des filtres à graisse et abaissez-les.
Ce faisant, passez l'autre main sous le filtre.



2. Nettoyez le filtre à graisse.
3. Remettez le filtre à graisse nettoyé en place.
4. Annulez le voyant  sur l'afficheur : Appuyez sur la touche ON/OFF.



AVERTISSEMENT : Pour éviter incendie et explosion, ne pas utiliser de solvants ou liquides inflammables.
Toujours débrancher l'appareil de l'alimentation avant d'effectuer le service.

IMPORTANT : Ne nettoyez pas la hotte aspirante avec des éponges à récurer ou des détergents à base de sable, soude caustique, acide ou chlore !

- Nettoyez la hotte aspirante avec une solution d'eau savonneuse chaude ou un produit nettoyant pour vitre non puissant.
- Ne raclez pas la surface pour déloger les aliments séchés, mais essuyez-la plutôt avec un chiffon humide.
- Lors du nettoyage des filtres à graisse, nettoyez la graisse qui s'est déposée aux endroits accessibles du corps de hotte. Vous évitez ainsi les risques d'incendie et garantisiez un rendement optimal de la hotte.
- Remarque :** ne nettoyez pas les surfaces en plastique avec de l'alcool (essence), car vous risquez de les ternir.

ATTENTION : Respectez toutes les consignes et précautions fournies avec les produits de nettoyage.

IMPORTANT : Nettoyez les touches de commande avec de l'eau légèrement savonneuse et utilisez un chiffon doux et humide uniquement. N'utilisez jamais de produit de nettoyage pour acier inoxydable pour nettoyer les touches de commande.

Surfaces en acier inoxydable :

- Utilisez un produit de nettoyage non abrasif pour l'acier inoxydable.
- Nettoyez la surface dans le sens où elle a été polie.
- Nous recommandons d'utiliser le produit de nettoyage pour acier inoxydable Fantastik® ou Formula 409® **à vaporiser sur du papier essuie-tout.**

Surfaces en aluminium et en plastique :

- N'utilisez pas de chiffons secs.
- Utilisez un produit de nettoyage pour vitres non puissant.
- N'utilisez pas de produits de nettoyage trop puissants, acides ou caustiques.

Respectez les règlements de la garantie du livret service ci-joint.

REPLACEMENT DES AMPOULES

⚠ MISE EN GARDE. Évitez le risque de choc électrique.

1. Mettez la hotte aspirante hors tension et débranchez la prise secteur ou coupez l'alimentation électrique au niveau de la boîte à fusibles.

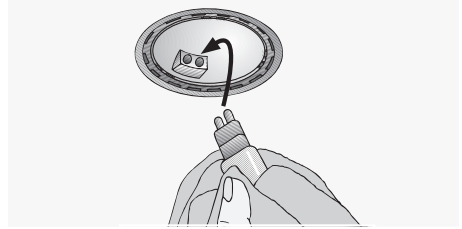
⚠ MISE EN GARDE. Évitez le risque de brûlures. Les ampoules à halogène allumées deviennent très chaudes et restent chaudes assez longtemps après avoir été éteintes.

2. Enlevez l'anneau d'ampoule à l'aide d'un tournevis ou d'un outil identique.



3. Remplacez l'ampoule à halogène (ampoule à halogène classique, 12 Volts, max. 20 Watts, support d'ampoule G4). **IMPORTANT :** Support d'ampoule enfichable.


Prenez l'ampoule en vous servant d'un chiffon propre. Les empreintes de doigts peuvent raccourcir la durée de vie des ampoules.



4. Remontez l'anneau d'ampoule.
5. Rétablissez le courant en branchant de nouveau la prise secteur ou en réactivant le fusible.

Remarque : si la lumière ne fonctionne pas, vérifiez que les ampoules sont correctement installées.

GUIDE DE DÉPANNAGE

Problème	Cause Possible	Solution
Rien ne fonctionne – Afficheur non éclairé	Le tableau d'affichage des touches de commande est débranché.	Contactez un technicien d'entretien d'appareils électroménagers qualifié.
Si le voyant  apparaît sur l'afficheur	Les filtres sont saturés	Consultez la section "Filtres et entretien".
Impossible de faire fonctionner la hotte aspirante	Panne de courant	Débranchez la hotte aspirante du réseau d'alimentation secteur en tirant sur la prise ou en coupant l'électricité au niveau de la boîte à fusible. Attendez pendant environ 1 minute, puis remettez-la hotte sous tension.

SERVICE APRÈS-VENTE

Avant d'appeler pour un service

Si la soufflerie ne fonctionne pas :

- Vérifiez que le cordon électrique est correctement branché et que le circuit d'alimentation est alimenté.
- Assurez-vous que la touche de commande de la soufflerie n'est pas en position d'arrêt (OFF).
- Le fabricant des hottes aspirantes décline toute responsabilité pour toute plainte pouvant être attribuée au design et à l'agencement des conduites.

Obtention du service

Pour un centre de service autorisé ou des informations sur les pièces, appelez le +1-800-735-4328.

Nous attachons une extrême importance à la satisfaction de nos clients. Si un problème n'est pas résolu à votre satisfaction, veuillez nous en informer.

Écrivez à : Customer Support, BSH Home Appliances, Corp. 5551 McFadden Ave., Huntington Beach, CA 92649, USA ou appelez le : +1-800-735-4328.

Veuillez inclure le numéro de modèle, le numéro de série et la date d'achat/d'installation d'origine.

SERVICE APRÈS-VENTE

Garantie

Ce qui est couvert

Garantie complète d'un an

Pendant un an depuis la date d'installation ou d'occupation pour une nouvelle résidence non précédemment occupée, toute pièce défectueuse pendant une utilisation normale sera réparée ou remplacée sans frais. Conserver la facture datée ou toute preuve de la date d'installation/occupation. BSH paiera la main-d'œuvre et les pièces de rechange présentant un défaut de matériaux et de fabrication. Le service doit être assuré par un centre de service autorisé BSH pendant les heures ouvrables normales.

Ce qui n'est pas couvert

1. Le service par une agence non autorisée. Dommages ou réparations causés pour un service effectué par une agence non autorisée ou l'utilisation de pièces non autorisées.
2. Les visites de service pour :
 - Montrer comment utiliser l'appareil.
 - Corriger l'installation. Le propriétaire est responsable à assurer un câblage électrique et autres services utilitaires appropriés.
 - Réenclencher le coupe-circuit ou remplacer le fusible.
3. Dommages résultant d'accident, modification, mauvaise utilisation, abus, installation inadéquate ou non conforme aux codes électriques ou de plomberie locaux, ou rangement inadéquat de l'appareil
4. Réparations à cause d'une utilisation autre que domestique normale.

Application de la garantie

Cette garantie s'applique aux appareils utilisés dans une résidence familiale normale. Elle ne couvre pas l'utilisation commerciale.

Cette garantie s'applique aux produits achetés et gardés dans les 50 états des E.-U., district de Columbia et au Canada. La garantie s'applique même à l'utilisateur déménagé pendant la période de garantie. Si l'appareil est vendu par l'acheteur d'origine pendant la période de garantie, le nouveau propriétaire continue à être couvert jusqu'à la date d'expiration de la période de garantie du propriétaire d'origine.

BSH N'EST NULLEMENT RESPONSABLE DES DOMMAGES ACCESSOIRES OU INDIRECTS. Certains états ne permettent pas l'exclusion ou la limitation des dommages accessoires ou indirects, par conséquent, l'exclusion ou la limitation peut ne pas s'appliquer. Cette garantie donne des droits spécifiques et il peut y en avoir d'autres qui varient d'un état à un autre ou d'une province à une autre.

Données concernant le service

À des fins de références, l'information de la plaque signalétique est donnée ci-dessous. Conserver la facture pour valider la garantie. Pour un service, voir la page précédente.



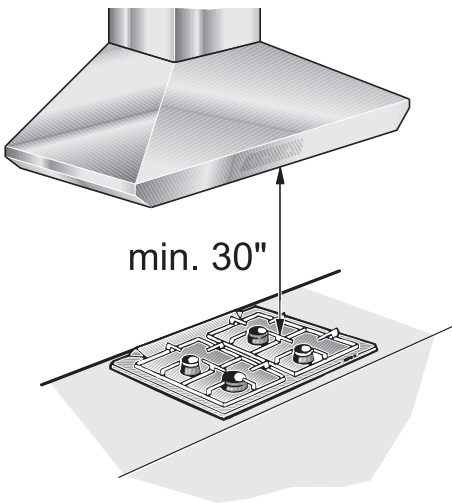
Emplacement de la plaque signalétique ; au-dessus de la boîte de connexion électrique. Voir page 20.

Nous nous réservons le droit de modifier les données techniques sans préavis. Certains modèles sont certifiés pour une utilisation au Canada. BSH n'est pas responsable des appareils transportés des É.-U. pour une utilisation au Canada. Vérifier auprès d'un distributeur ou d'un marchand canadien.

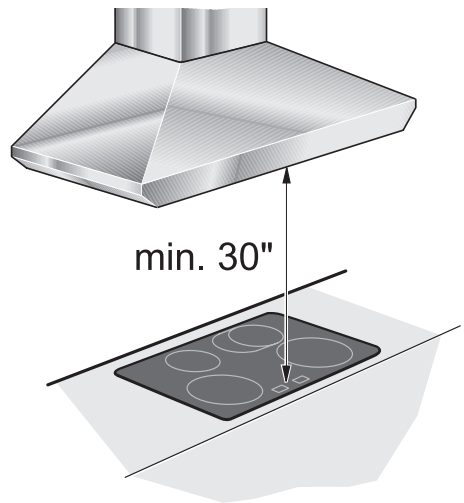
CONTENIDO

Instrucciones de seguridad	24	Reemplazo de focos	29
Notas importantes	25	Guía de resolución de problemas	30
Operación	26	Servicio al cliente	30+31
Filtros y mantenimiento	27	Antes de llamar al servicio técnico	30
Cuidado y limpieza	28	Cobertura Cómo obtener servicio técnico	30
		Garantía	31
		Información de la placa de datos	31

Fig. 1
GAS



ELÉCTRICO



INSTRUCCIONES IMPORTANTES DE SEGURIDAD

Lea todas las instrucciones antes de usar este aparato.

LEA Y GUARDE ESAS INSTRUCCIONES

ADVERTENCIA – PARA REDUCIR EL RIESGO DE UN INCENDIO DE GRASA EN LA PARRILLA:

- a) Nunca deje las parrillas sin atención cuando cocine con alto calor. Los derrames causan humo y se puede encender la grasa derramada. Caliente aceite lentamente a bajo o mediano calor.
- b) Siempre prenda la campana cuando cocine con alto calor o cuando flamee alimentos (i.e. crepas Suzette, cerezas Jubilee, filete a la pimienta flameado).
- c) Limpie los ventiladores frecuentemente. No permita que se acumule grasa en el ventilador o el filtro.
- d) Use ollas de tamaños adecuados. Siempre use utensilios de cocina adecuados para el tamaño del quemador.

Precaución: La grasa que se queda en los filtros puede volver a derretirse y entrar a las aberturas de ventilación.

Cuando los niños llegan a una edad suficiente para operar el aparato, es la responsabilidad legal de los padres o de los tutores legales asegurar que personas calificadas los instruyan sobre prácticas seguras.

ADVERTENCIA – PARA REDUCER EL RIESGO DE LESIONES EN EL CASO DE UN INCENDIO DE GRASA DE LA PARRILLA, OBSERVE LO SIGUIENTE:

- a) APAGUE LAS LLAMAS con una tapa ajustada, bandeja de horno u otra bandeja de metal. TENGA CUIDADO Y EVITE QUEMADURAS. Si las llamas no se apagan de inmediato. EVACÚE EL LUGAR Y LLAME A LOS BOMBEROS.
- b) NUNCA LEVANTE UNA OLLA EN LLAMAS. Se puede quemar.
- c) NO USE AGUA, incluyendo trapos o toallas húmedas. Puede resultar una explosión violenta de vapor.
- d) Use un extinguidor sólo cuando:
 - 1) Usted sepa que tiene un extinguidor de fuego de la Clase ABC, y sabe cómo manejarlo.
 - 2) El incendio es pequeño y está contenido en el área donde comenzó.
 - 3) Alguién está llamando a los bomberos.
 - 4) Usted puede combatir el fuego con su espalda hacia la salida.

ADVERTENCIA: Cuando sea posible, no opere el ventilador durante un incendio en la parrilla. NUNCA META LA MANO AL FUEGO PARA APAGAR EL VENTILADOR.

NOTAS IMPORTANTES

- ❑ Las instrucciones de uso se aplican a varias versiones de este electrodoméstico. Por lo tanto, puede encontrar descripciones de características individuales que no se apliquen a su electrodoméstico específico.
- ❑ Esta campana extractora cumple con todas las reglamentaciones de seguridad pertinentes.

Las reparaciones deben ser realizadas por técnicos calificados únicamente.


PRECAUCIÓN

Las reparaciones incorrectas pueden poner en grave riesgo al usuario.

- ❑ Antes de usar su electrodoméstico por primera vez, lea atentamente estas instrucciones de uso. Contienen información importante sobre su seguridad personal, así como también sobre el uso y cuidado del electrodoméstico.
- ❑ Conserve las instrucciones de operación e instalación para un propietario posterior.

MODO DE AIRE DE SALIDA:

- ❑ El ventilador de la campana extractora extrae los vapores de cocina y los conduce por el filtro de grasa a la atmósfera.
- ❑ El filtro de grasa absorbe las partículas sólidas de los vapores de cocina.
- ❑ La cocina se mantiene prácticamente sin grasa ni olores.

 **Cuando se utiliza la campana extractora en el modo de aire de salida simultáneamente con una hornilla diferente que también utiliza la misma chimenea** (como calentadores a gas, aceite o carbón, calentadores de flujo continuo, calentadores de agua), **se debe asegurar que haya un suministro de aire fresco suficiente**, que será necesario para la combustión en la hornilla.

La operación segura es posible siempre que la subpresión de la habitación donde está instalada la hornilla no supere los 4 Pa (0,04 mbar).

Esto es posible si el aire de combustión puede circular a través de aberturas que no puedan trabarse, como ser puertas y ventanas, y a través de cajas de entrada/salida de aire en la pared, o mediante otras medidas técnicas, como enclavamiento recíproco, etc.

PRECAUCIÓN

Evite la intoxicación por monóxido de carbono – Proporcione una entrada de aire suficiente para que los gases de la combustión no vuelvan a ingresar a la habitación.

Una caja de entrada/salida de aire en la pared por sí sola no garantiza que no se superará el valor límite.

Nota: Al evaluar el requisito total, se debe tener en cuenta el sistema de ventilación combinado para todo el hogar. Esta norma no se aplica al uso de electrodomésticos de cocina, como parrillas y hornos.

DISPOSITIVO DE PROTECCIÓN PARA TRANSPORTE:

- ❑ El dispositivo de protección para transporte impide que el cajón del filtro se deslice y se salga.
- ❑ Verifique que el instalador haya retirado el dispositivo de protección para transporte (consulte el manual de instalación).
- ❑ Conserve el dispositivo de protección para transporte por si llegara a mudarse de casa.

PARRILLAS A GAS/ESTUFAS A GAS:

PRECAUCIÓN

Evite el riesgo de quemaduras o daños a la campana extractora.

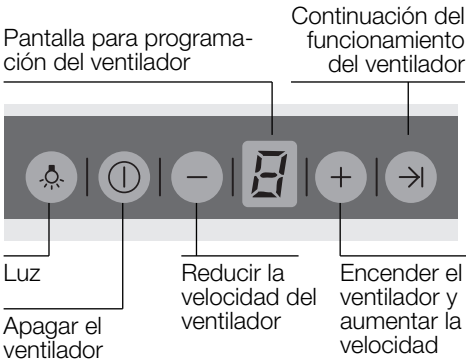
No use todas las hornillas a gas simultáneamente a temperaturas altas durante un período prolongado (máx. 15 minutos).

Si la campana extractora se encuentra sobre una placa a gas, haga funcionar la campana en el valor máximo cuando se usen tres o más hornillas a gas.

OPERACIÓN

IMPORTANTE: El método más efectivo para eliminar los vapores producidos mientras cocina es:

- ❑ **Encender el ventilador** apenas comienza a cocinar.
- ❑ **Apagar el ventilador** unos minutos después de haber terminado de cocinar.



Señal acústica:

- ❑ Cada vez que se presiona un botón, se escucha una señal acústica.

Para apagar la señal acústica:

- ❑ Presione simultáneamente el botón 0 y el + hasta que se emita una señal de aproximadamente 3 segundos.

Para encender la señal acústica:

- ❑ Repita el proceso.

Para encender el ventilador

- ❑ Presione el botón + o extraiga el cajón del filtro.

Para programar la velocidad requerida del ventilador:

- ❑ Presione el botón +. La velocidad del ventilador aumenta de a un paso por vez.
- ❑ Presione el botón -. La velocidad del ventilador disminuye de a un paso por vez.

Para apagar el ventilador:

- ❑ Presione el botón 0. El 0 de la pantalla desaparecerá a la brevedad.
0:
- ❑ Mantenga presionado el botón - hasta que el ventilador se apague. El - de la pantalla desaparecerá a la brevedad.

Valor intensivo:

La potencia máxima se obtiene en el valor intensivo.

Sólo se requiere para intervalos cortos.

- ❑ Mantenga presionado el botón + hasta que aparezca una 1 en la pantalla.
- ❑ Si el valor intensivo no se cancela manualmente, el ventilador volverá al paso 2 automáticamente después de 10 minutos.

Continuación del funcionamiento del ventilador:

- ❑ Presione el botón → o empuje hacia adentro el cajón del filtro.

El ventilador funciona durante 10 minutos en el valor 1. En el mismo momento, en la pantalla aparecerá titilando un punto. Luego, el ventilador se apaga automáticamente.

Iluminación:

- ❑ Presione brevemente el botón ☀ para encender y apagar la luz.
- ❑ La luz se puede encender en cualquier momento, incluso cuando el ventilador está apagado.
- ❑ **Para ajustar el brillo:** Mantenga presionado el botón ☀ hasta obtener el brillo deseado.

FILTROS Y MANTENIMIENTO

FILTROS DE GRASA:

Los filtros de metal se utilizan para atrapar los elementos grasosos de los vapores que se producen mientras cocina.

Las láminas de filtro están hechas de metal no combustible.


Precaución:

A medida que el filtro se va saturando de grasa, no solo aumenta el riesgo de que se incendie, sino que la eficiencia de la campana extractora se ve afectada adversamente.

Importante:

Limpiando los filtros de grasa de metal en intervalos adecuados, disminuye la posibilidad de que se incendien como consecuencia de la acumulación de calor, como cuando se fríe con abundante aceite o se asan alimentos.

Indicador de saturación:

Cuando los filtros de grasa alcanzan el punto de saturación, escuchará una señal acústica durante 6 segundos después de haber apagado el ventilador, y en la pantalla aparecerá el siguiente símbolo . Los filtros de grasa deben limpiarse de inmediato.

Para limpiar los filtros de grasa de metal:

- Con el uso normal (1 a 2 horas por día), el filtro de grasa de metal debe limpiarse 1 vez por mes.
- Los filtros pueden limpiarse en un lavavajillas. Sin embargo, es posible que se decoloren ligeramente.
- El filtro debe quedar suelto en el lavavajillas, no debe quedar atascado.

Importante:

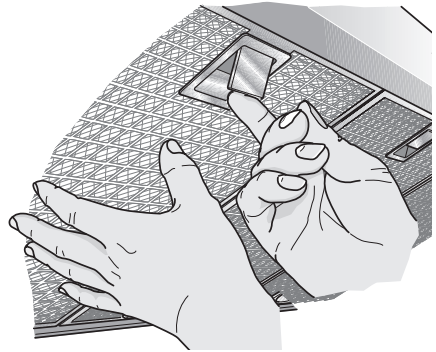
Los filtros de metal que están saturados con grasa no deben lavarse junto con los demás platos, etc.


- Al limpiar los filtros a mano, primero sumérgalos en agua jabonosa caliente. No utilice limpiadores agresivos, ácidos ni cáusticos. Luego, cepille los filtros para limpiarlos, enjuáguelos bien y deje que se escurra el agua.

Para retirar y colocar los filtros de grasa de metal:

 **Advertencia:** Evite el riesgo de quemaduras. Los focos halógenos deben estar apagados y fríos.

1. Abrir el seguro de retención de los filtros antigrasa. Abatir los filtros antigrasa hacia abajo. Sujetar los filtros antigrasa por abajo con la otra mano.



2. Limpiar el filtro antigrasa.
3. Colocar el filtro antigrasa limpio en su sitio.
4. Cancele el símbolo  en la pantalla: Presione el botón ON/OFF.

CUIDADO Y LIMPIEZA



ADVERTENCIA Nu use líquidos inflamables o disolventes para evitar un fuego o una explosión.
Siempre desenchufe o desconecte el aparato de la fuente de alimentación antes de dar servicio.

IMPORTANTE: ¡No limpie la campana extractora con esponjas abrasivas ni con agentes de limpieza que contengan arena, soda cáustica, ácido ni cloro!

- Limpie la campana extractora con una solución jabonosa caliente o un limpiador suave para ventanas.
- No raspe la suciedad seca, límpiela con un paño húmedo.
- Cuando limpie los filtros de grasa, retire los depósitos de grasa de las partes accesibles de la carcasa. Esto previene el riesgo de incendio y asegura que la campana extractora continúe funcionando en su nivel máximo de eficiencia.
- Nota:** No use alcohol en las superficies de plástico, ya que pueden aparecer marcas opacas.

Precaución: Siga todas las instrucciones y precauciones incluidas con los limpiadores.

IMPORTANTE: Limpie los botones de operación solamente con una solución jabonosa suave y un paño suave húmedo. No use limpiadores para acero inoxidable para limpiar los botones de operación.

Superficies de acero inoxidable:

- Use un limpiador para acero inoxidable no abrasivo suave.
- Limpie la superficie en la misma dirección del grano y del pulido.
- Recomendamos nuestro limpiador para acero inoxidable Fantastik® o Formula 409®.

Rocíe este producto en una toalla de papel.

Superficies de aluminio y plástico:

- No use paños secos.
- Use un agente de limpieza suave para ventanas.
- No utilice limpiadores agresivos, ácidos ni cáusticos.

Siga las reglamentaciones de la garantía incluidas en el manual de servicio técnico adjunto.

REEMPLAZO DE FOCOS

⚠ PRECAUCIÓN. Evite el riesgo de descarga eléctrica.

1. Apague la campana extractora y retire el enchufe de alimentación de red o apague el suministro de electricidad en la caja de fusibles.

⚠ PRECAUCIÓN. Evite el riesgo de quemaduras.

Los focos halógenos se calientan mucho y permanecen calientes durante algún tiempo después de que se apagaron.

2. Retire el aro del foco con un destornillador o una herramienta similar.

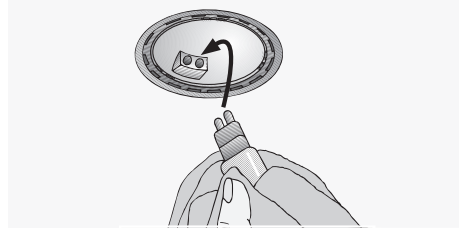


3. Coloque el foco de luz halógena (foco halógeno convencional de 12 voltios, 20 vatios como máximo, portalámparas G4)

IMPORTANTE: Enchufe el portalámparas.

Tome el foco con un paño limpio.

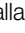
Las huellas digitales pueden acortar la vida útil del foco.



4. Vuelva a colocar el aro del foco.
5. Restablezca la alimentación eléctrica colocando el enchufe de alimentación de red o encendiendo el fusible.

Nota: Si la luz no funciona, verifique que los focos estén correctamente insertados.

GUÍA DE RESOLUCIÓN DE PROBLEMAS

Problema	Causa probable	Solución
No funciona nada: la pantalla no está iluminada	El tablero de botones de control se ha desconectado.	Comuníquese con un técnico de servicio de electrodomésticos calificado.
Si aparece  en la pantalla	Los filtros están saturados.	Consulte la sección "Filtros y mantenimiento".
Si no se puede operar la	Corte del suministro eléctrico	Desconecte la campana extractora del suministro de electricidad de red desenchufando el enchufe o desconectándolo en la caja de fusibles principal. Espere aproximadamente 1 minuto y luego vuelva a encenderla.

SERVICIO AL CLIENTE

Antes de llamar al servicio técnico

Si el soplador no funciona:

- Verifique que el cable eléctrico esté correctamente conectado y que el circuito de alimentación eléctrica esté energizado.
- Verifique que la perilla de control de velocidad del soplador no esté en la posición OFF (Apagado).
- El fabricante de las campanas extractoras no asume responsabilidad alguna por las reclamaciones que puedan atribuirse al diseño y a la distribución de las tuberías.

Cómo obtener servicio técnico

Para obtener información sobre servicio técnico autorizado o sobre las piezas, llame al 1-800-735-4328.

Queremos que esté conforme como cliente. Si usted no ha quedado conforme respecto de la resolución de una situación, infórmenos.

Escriba a: Customer Support, BSH Home Appliances, Corp. 5551 McFadden Ave., Huntington Beach, CA 92649, o llame al: 1-800-735-4328.

Incluya el número de modelo, el número de serie y la fecha original de compra/instalación.

SERVICIOS AL CLIENTE

GARANTÍA

Qué está cubierto

Garantía completa de un año

Por un año a partir de la fecha de instalación, o la fecha de ocupación para una vivienda nueva, previamente no ocupada, se va a reparar o reemplazar cualquier parte que falle durante el uso doméstico normal sin costo alguno. Guarde su recibo fechado u otra evidencia de la fecha de instalación/ocupación. BSH pagará la reparación, mano de obra y partes de repuesto que resulten defectuosas debido al material y la fabricación. El servicio debe ser proporcionado por una agencia de servicio autorizada por BSH durante un horario laboral normal.

Qué no está cubierto

1. Servicio por una agencia no autorizada. Daños o reparaciones debido al servicio por una agencia no autorizada o el uso de partes no autorizadas.
2. Visitas de servicio para:
 - Enseñarle cómo usar el aparato.
 - Corregir la instalación. Usted es responsable de la instalación eléctrica y/o de proporcionar las conexiones necesarias.
 - Resetear interruptores de circuitos o reemplazar fusibles.
3. Daños que resultan de accidentes, la alteración, mal uso, abuso, instalación incorrecta o una instalación que no está de acuerdo con los códigos eléctricos locales o los códigos de fontanería, o el almacenamiento no apropiado del aparato.
4. Reparaciones debido a un uso diferente al doméstico.

Aplicación de la garantía

Esta garantía aplica a aparatos utilizados en casas familiares normales; no cubre el uso en situaciones comerciales.

Esta garantía es para productos comprados e instalados en los 50 estados de los E.U.A., el Distrito de Columbia y Canadá. La garantía aplica aún cuando usted decide cambiarse de domicilio durante el período de la garantía. En caso que el comprador original decide vender el aparato durante el período de garantía, el nuevo propietario continúa estando protegido hasta la fecha de vencimiento del período de garantía del comprador original.

BSH NO SE HACE RESPONSABLE DE DAÑOS CONSECUENCIALES O INCIDENTALES. Algunos estados no permiten excluir o limitar los daños incidentales o consecuenciales, así que la limitación o exclusión de arriba tal vez no aplica para usted. Esta garantía le brinda derechos legales específicos y usted puede tener además otros derechos que varían de estado a estado o de provincia a provincia.

Información para Servicio

Se fijó la información con el número de serie en la etiqueta indicada abajo. Guarde su factura para validar la garantía. Vea la página anterior para obtener servicio.



Ubicación de la placa de datos/número de serie: Arriba de la caja de conexiones eléctricas. Vea la página 30.

Nos reservamos del derecho de modificar las especificaciones o el diseño sin previo aviso. Algunos modelos están certificados para ser usados en Canadá. BSH no es responsable de productos que son transportados desde los Estados Unidos para ser utilizados en Canadá. Consulte a su distribuidor local en Canadá.

Thermador[®] | *An American Icon*[™]

5551 McFadden Avenue, Huntington Beach, CA 92649 • 1-800-735-4328 • www.thermador.com
9000313700 • 10013 RevA • 03/08 © BSH Home Appliances Corporation • Litho U.S.A.

9000 313 700
Printed in Germany 0308 Es.