

# 30" Speed Microwave Oven

Benchmark™ Series – Stainless Steel HMC80251UC



**HMC80251UC**  
Stainless Steel

The speed microwave oven pairs the cooking qualities of a conventional oven with the speed of microwave technology.

## Features & Benefits

AutoChef cooking cycles offer faster cooking times for your convenience.

Flush install matches Bosch wall oven, steam oven, or warming drawer.

2-in-1 microwave and convection oven for a variety of cooking options.

30" width can be installed in horizontal and vertical configuration.

## General Properties

Cavity material	Stainless steel
Max. microwave power (W)	1,000 W

## Capacity

Cavity capacity (cu. ft.)	1.6
Turntable diameter (in.)	14 1/8"

## Technical Details

Watts (W)	3,840 W
Circuit breaker (A)	20 A
Volts (V)	208-240 V
Frequency (Hz)	60 Hz
Power cord length (in)	48"
Plug type	Fixed connection

## Dimensions & Weight

Overall appliance dimensions (HxWxD)(in)	19 5/8" x 29 3/4" x 22 3/8"
Required cutout size (HxWxD) (in)	19 1/4" x 28 1/2" x 22"
Net weight (lbs)	83 lbs

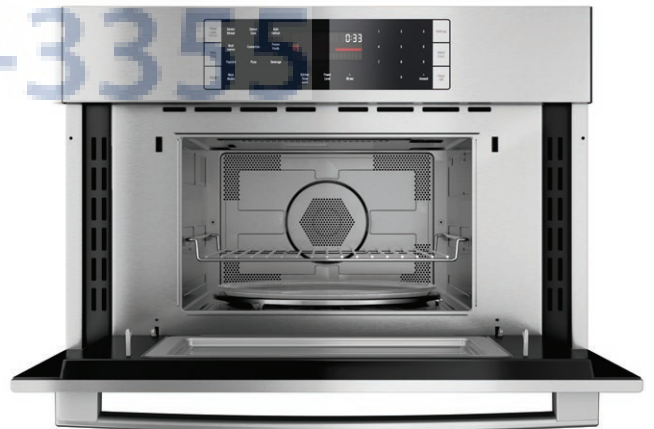
## Accessories—Included

Included	Metal turntable, cooking rack, ceramic cooking tray
----------	---



**Aj Madison**  
Your Appliance Authority™

800-570-3355



For help and assistance with Bosch accessories please visit: [www.bosch-eshop.com/eshop/bosch/us](http://www.bosch-eshop.com/eshop/bosch/us) or call 1-800-944-2904 Mon-Fri 5am to 6pm PST Sat 6am to 3pm PST

Notes: All height, width and depth dimensions are shown in inches. Please refer to installation instructions prior to making cutout. BSH reserves the absolute and unrestricted right to change product materials and specifications, at any time, without notice. Consult the product's installation instructions for final dimensional data and other details. Applicable product warranty can be found in accompanying product literature or you may contact your account manager for further details.

Warranties: Bosch warrants that the Product is free from defects in materials and workmanship for a period of three hundred and sixty-five (365) days from the date of purchase. The foregoing timeline begins to run upon the date of purchase, and shall not be stalled, tolled, extended, or suspended, for any reason whatsoever. This Product is also warranted to be free from cosmetic defects in material and workmanship (such as scratches of stainless steel, paint/porcelain blemishes, chip, dents, or other damage to the finish of the Product, for a period of thirty (30) days from the date of purchase or closing date for new construction. This cosmetic warranty excludes slight color variations due to inherent differences in painted and porcelain parts, as well as differences caused by kitchen lighting, product location, or other similar factors. This cosmetic warranty specifically excludes any display, floor, "As Is", or "B" stock appliances.

For more information on our entire line of products, go to [www.bosch-home.com/us](http://www.bosch-home.com/us) or call 1-800-944-2904

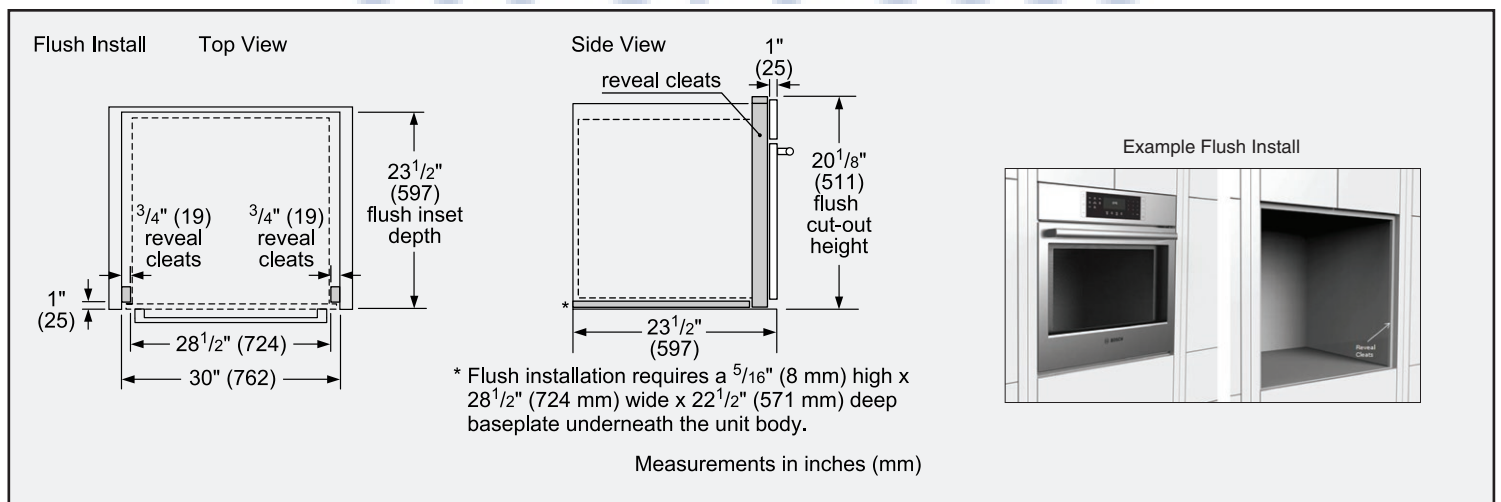
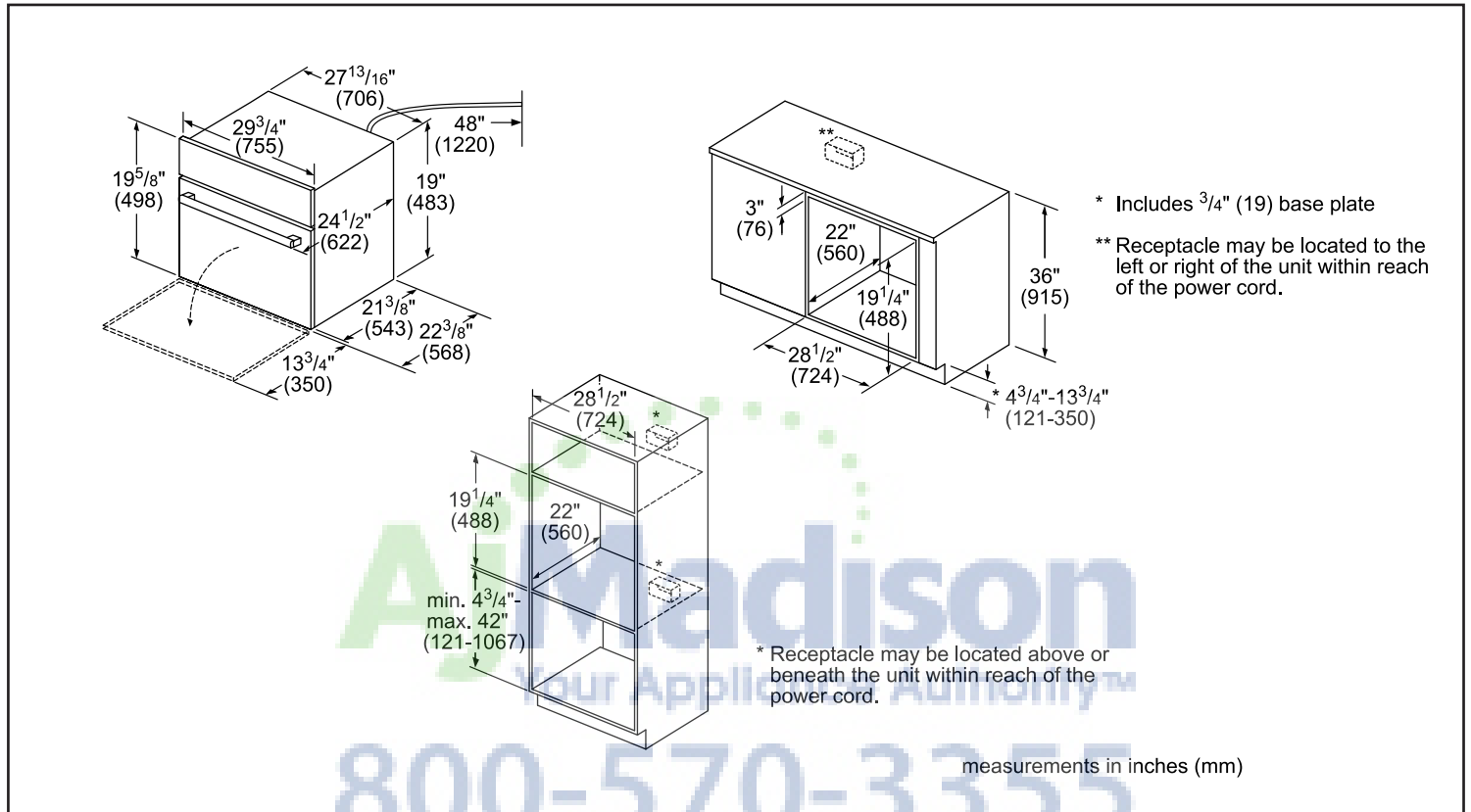
© BSH Home Appliances Corporation. All rights reserved. Bosch is a registered trademark of Robert Bosch GmbH.

# 30" Speed Microwave Oven

Benchmark™ Series – Stainless Steel HMC80251UC



## Installation Details



For help and assistance with Bosch accessories please visit: [www.bosch-eshop.com/eshop/bosch/us](http://www.bosch-eshop.com/eshop/bosch/us) or call 1-800-944-2904 Mon-Fri 5am to 6pm PST Sat 6am to 3pm PST

Notes: All height, width and depth dimensions are shown in inches. Please refer to installation instructions prior to making cutout. BSH reserves the absolute and unrestricted right to change product materials and specifications, at any time, without notice. Consult the product's installation instructions for final dimensional data and other details. Applicable product warranty can be found in accompanying product literature or you may contact your account manager for further details.

Warranties: Bosch warrants that the Product is free from defects in materials and workmanship for a period of three hundred and sixty-five (365) days from the date of purchase. The foregoing timeline begins to run upon the date of purchase, and shall not be stalled, tolled, extended, or suspended, for any reason whatsoever. This Product is also warranted to be free from cosmetic defects in material and workmanship (such as scratches of stainless steel, paint/porcelain blemishes, chip, dents, or other damage to the finish of the Product, for a period of thirty (30) days from the date of purchase or closing date for new construction. This cosmetic warranty excludes slight color variations due to inherent differences in painted and porcelain parts, as well as differences caused by kitchen lighting, product location, or other similar factors. This cosmetic warranty specifically excludes any display, floor, "As Is", or "B" stock appliances.

For more information on our entire line of products, go to [www.bosch-home.com/us](http://www.bosch-home.com/us) or call 1-800-944-2904

© BSH Home Appliances Corporation. All rights reserved. Bosch is a registered trademark of Robert Bosch GmbH.

# 30" Speed Microwave Oven

Benchmark™ Series – Stainless Steel HMC80251UC



## Installation Details

**Standard**

Cutout 1      Cutout 2

1 3/4" (44mm)

**Side-by-Side Installation**

The ovens will overlap the cutout resulting in a 1/2" (13mm) spacing between the products.

**IMPORTANT:** The spacing between cutouts applies when installing any Bosch 30" or 27" single, double, combination and 27"/30" compact oven in a side-by-side installation.

**Flush**

Cutout 1      Cutout 2

1/2" (13mm)

---

**Standard Installation**  
30" Speed Microwave Oven over Storage or Warming Drawer

28 1/2" (724)  
23 1/2" (597)  
28 5/8" (727)  
min. 4 3/4" (121)  
max. 38" (964)

\* For installation into a wall cabinet, the receptacle may be installed above, below, or to the left or right of the unit within range of the power cord.

**Flush Installation**  
Speed Microwave Oven over Storage or Warming Drawer

Side View

1" (25) reveal cleats  
24 1/2" (622)  
29 1/8" (740) flush cut out height

Measurements in inches (mm)

---

**Standard Installation**  
30" Speed Microwave Oven over Single Oven\*\*\*

28 1/2" (724)  
19 1/4" (488)  
27-28 5/8" (686-727)  
23 1/2" (597)  
min. 4 3/4" (121)  
max. 18" (456)

\* Junction box may be located above or next to the unit within the reach of the power cord.  
\*\* Junction box may be located below (depending on space) or next to the unit within the reach of the power cord.  
\*\*\* Most combinations available as combo oven (one cut out, one electrical hook up).

Minimum dimension between cut outs:  
• 1" (25mm) for wall oven cut out of 28 5/8"  
• 2 5/8" (67mm) for wall oven cut out of 27"

measurements in inches (mm)

**NOTE:** This configuration is available as a combo oven (one cut out, one electrical hook up) - HBL5751UC & HBL8751UC

**Flush Installation**  
Speed Microwave Oven over 30" Single Oven\*\*

Side View

1" (25) cleats  
24 1/2" (622)  
20 1/8" (511) flush cut out height  
29 1/8" (740) flush cut out height  
minimum 1/2" (13) required between cutouts\*

Speed Microwave Oven  
Wall Oven

\*\*\* Flush installation requires a base plate underneath the body: 30" Products - Dimensions: H 5/16"(8) x W 28 1/2"(724) x D 22 1/2"(571)

\* IMPORTANT: base has to be able to support oven weight. Please check oven manual for minimum weight requirements.  
\*\* Most combinations available as combo oven (one cut out, one electrical hook up).

measurements in inches (mm)

**NOTE:** This configuration available as a combo oven. See Note at left for details.

For help and assistance with Bosch accessories please visit: [www.bosch-eshop.com/eshop/bosch/us](http://www.bosch-eshop.com/eshop/bosch/us) or call 1-800-944-2904 Mon-Fri 5am to 6pm PST Sat 6am to 3pm PST

Notes: All height, width and depth dimensions are shown in inches. Please refer to installation instructions prior to making cutout. BSH reserves the absolute and unrestricted right to change product materials and specifications, at any time, without notice. Consult the product's installation instructions for final dimensional data and other details. Applicable product warranty can be found in accompanying product literature or you may contact your account manager for further details.

Warranties: Bosch warrants that the Product is free from defects in materials and workmanship for a period of three hundred and sixty-five (365) days from the date of purchase. The foregoing timeline begins to run upon the date of purchase, and shall not be stalled, tolled, extended, or suspended, for any reason whatsoever. This Product is also warranted to be free from cosmetic defects in material and workmanship (such as scratches of stainless steel, paint/porcelain blemishes, chip, dents, or other damage to the finish of the Product, for a period of thirty (30) days from the date of purchase or closing date for new construction. This cosmetic warranty excludes slight color variations due to inherent differences in painted and porcelain parts, as well as differences caused by kitchen lighting, product location, or other similar factors. This cosmetic warranty specifically excludes any display, floor, "As Is", or "B" stock appliances.

For more information on our entire line of products, go to [www.bosch-home.com/us](http://www.bosch-home.com/us) or call 1-800-944-2904

© BSH Home Appliances Corporation. All rights reserved. Bosch is a registered trademark of Robert Bosch GmbH.