



Features and Benefits

Design

- Touch Control for Easier Operation of the Oven

Performance

- 11 Specialized Cooking Modes - Gourmet Cooking Made Easy
- PreciseSelect® - Direct Cooking Level Selection (17 Settings)
- Temperature Conversion for Convection Cooking
- Fast Preheat Reduces Heating Time.
- Meat Probe Takes the Guesswork Out of Cooking

Convenience

- SafeStart - Ensures that Element is Only Activated, if Suitable Cookware is in Position; no Activation When Other Metal Objects are Placed on Element
- One Oven Light to Better Monitor Cooking Progress
- Extra Large Door Window for Easy Monitoring of Cooking Process

Capacity

- Large Capacity at 4.6 Cu Ft. Accommodates Most Pots and Pans
- Recessed 8 Pass Broil Element for Increased Capacity and Safety

Optional Accessories

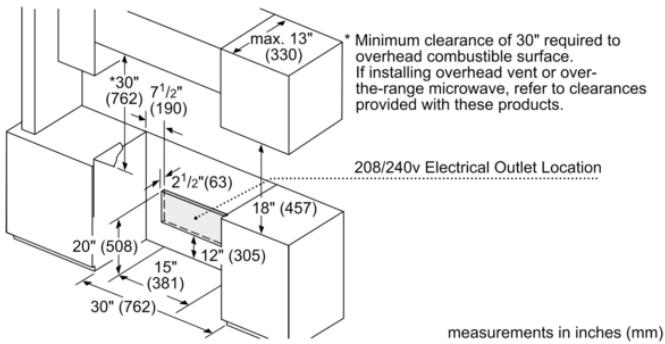
- HEZTR301 30" Telescopic Rack
- HEZBS301 - Low Back Guard, Induction

Notes: All height, width and depth dimensions are shown in inches. *Please refer to installation instructions prior to making cutout. BSH reserves the absolute and unrestricted right to change product materials and specifications, at any time, without notice. Consult the product's installation instructions for final dimensional data and other details. Applicable product warranty can be found in a accompanying product literature or you may contact your account manager for further details.

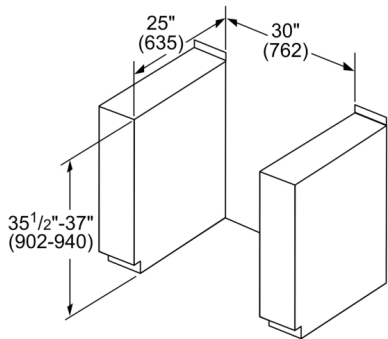
For more information on our entire line of products, go to boschappliances.com or call 1-800-944-2904.

Copyright ©2022 BSH Home Appliances Corporation. All rights reserved. Bosch is a registered trademark of Robert Bosch GmbH.

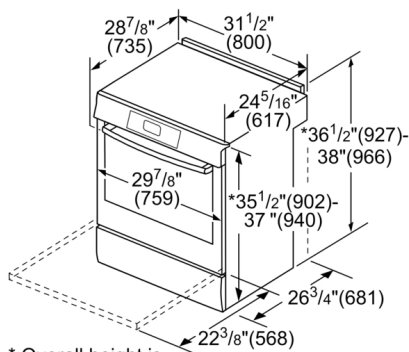
Litho Date: 02/2022



measurements in inches (mm)



measurements in mm



* Overall height is adjustable via leveling legs.

measurements in inches (mm)

Features

Total number of cooktop burners	4
Cooking mode	3rd element convection, Convection Bake, Convection Broil, Conventional heat, Dough proving setting, Half width variable broil, Pizza setting, warming, Warming drawer

Integrated Cleaning system	Self Clean
Oven Control	Electronic
Knob Material	
Included accessories	1 x oven racks / upper, 1 x temperature probe /upper

Sealed Burners	No
Number of Double grates	
Bake Element Wattages primary cavity	2400
Broil Element Wattages primary cavity	3800
Convection Element Wattages primary cavity	2000
Number of gas burners	0
Location of 1st heating element	front left
Power of 1st burner	
Location of 2nd heating element	center left
Power of 2nd burner	
Location of 3rd heating element	back left
Power of 3rd burner (BTU)	
Location of 4th heating element	middle back
Power of 4th burner (BTU)	
Location of 5th heating element	back right
Power of 5th burner	
Location of 6th heating element	center right
Power of 6th burner	
Power of griddle element	
Display	red, white
Safety device	

Technical Specification

UPC code	825225964650
Product color	Stainless steel
Gas type	
Alternative gas type	
Total BTU load	
Watts	
Fuse protection	40
Volts	240/208

Notes: All height, width and depth dimensions are shown in inches. *Please refer to installation instructions prior to making cutout. BSH reserves the absolute and unrestricted right to change product materials and specifications, at any time, without notice. Consult the product's installation instructions for final dimensional data and other details. Applicable product warranty can be found in a accompanying product literature or you may contact your account manager for further details.

For more information on our entire line of products, go to boschappliances.com or call 1-800-944-2904.

Copyright ©2022 BSH Home Appliances Corporation. All rights reserved. Bosch is a registered trademark of Robert Bosch GmbH.

Litho Date: 02/2022