

Luxury



## Shallow-Depth Series

HH24BS - 18" Depth Beverage Center

- HH24BS-1L\*
- HH24BS-2L\*
- HH24BS-3L\*
- HH24BS-4L\*

\*Also available with right hinge



Solid Door Beverage Center  
HH24BS-1R



Glass Door Beverage Center  
HH24BS-3R



### General Shallow-Depth Series Features

- 32" height with leveling legs
- **Industry Exclusive** 18" depth for design flexibility
- Zero-clearance hinging allows for abutment with surrounding cabinetry
- Best in Class 700 Btu commercial-grade compressor
- Front-vented, RAPIDcool forced-air refrigeration system
- Commercial-grade stainless steel interior and exterior
- **Industry Exclusive** convertible door design allows all doors the ability to be converted to wood overlay from stainless steel
- **Industry Exclusive** adjustable, full-extension pull-out shelves
- Stainless-steel ball-bearing glides provide smooth movement of shelves
- Low E, UV-coated glass provides industry leading insulation and protection.
- Optional door locks (factory installed)
- Stacking kit available
- Also available - Shallow-Depth Refrigerator and Wine Reserve
- 3.1 cubic feet of capacity
- Industry Best Three-Year Warranty plus additional three years on sealed system

### Beverage Center Features

- Available with solid stainless steel door, solid wood overlay door, glass with stainless trim door or glass with wood overlay door
- Beverage Center allows for both wine and beverage storage
- Includes two (2) full-extension pull-out wine shelves and one (1) full extension pull-out refrigerator shelf
- Wine shelves feature stainless steel fronts
- Product capacity is 10 bottles of wine (750 ml.) and 41 cans (12 oz.)
- Beverage Center temperature 30°- 48°F (factory set at 42°F)



INNOVATION YOU CAN'T LIVE WITHOUT

8300 W. Good Hope Rd. • Milwaukee, WI 53223  
1-800-558-5592 • Fax: (414) 353-7069 • perlick.com

*Perlick is committed to continuous improvement. Therefore, we reserve the right to change specifications without warning.*

Form No. HH24BS  
Rev. 07.09.2012

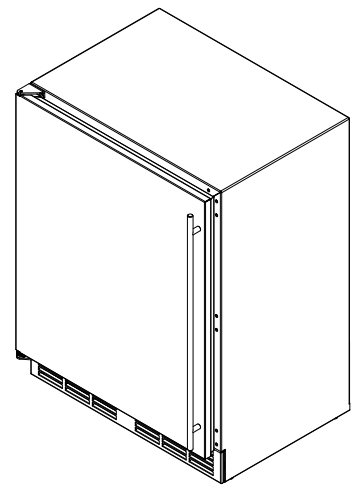
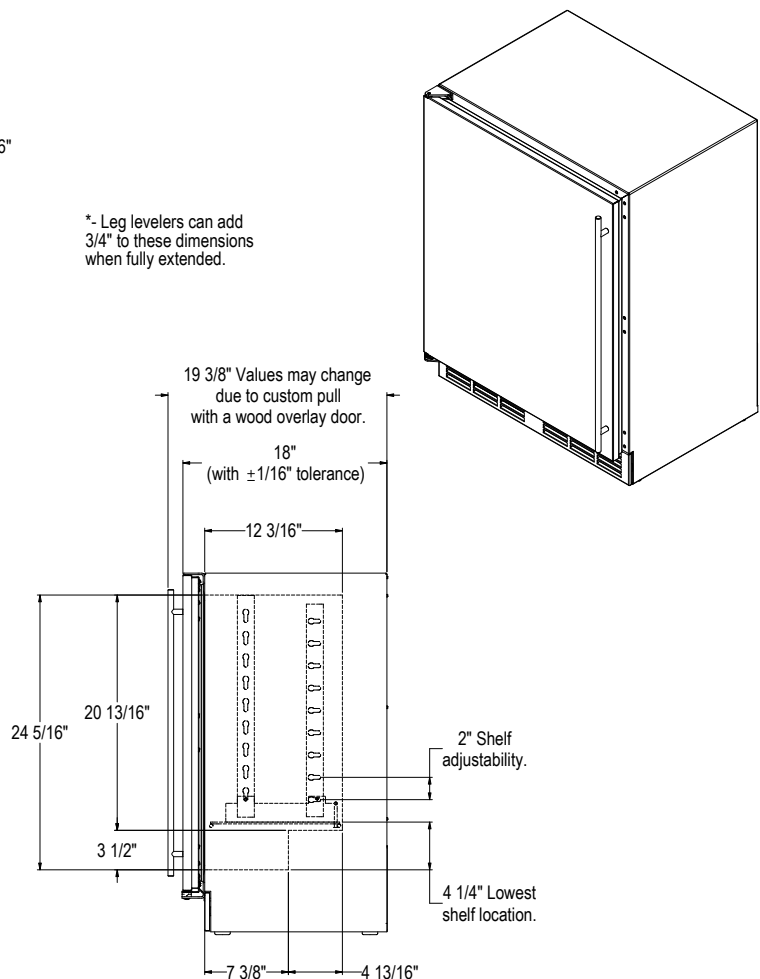
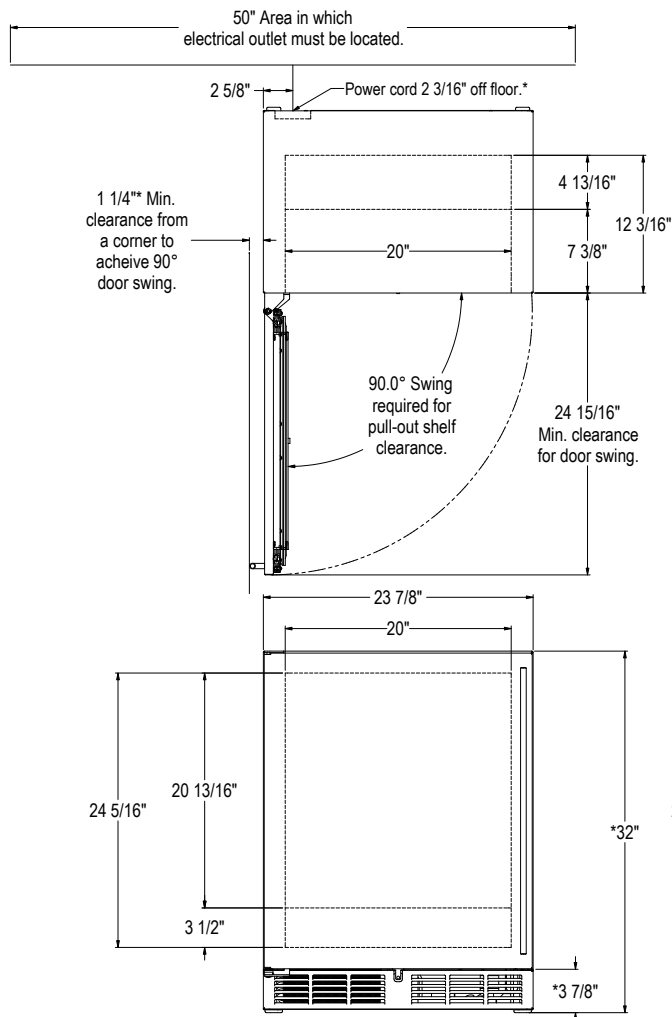
## Product Specifications

Overall Width	23-7/8" (60.64 cm.)
Overall Height	32" (81.28 cm.)
Overall Depth	18" (45.72 cm.)
Opening Width	24" (60.96 cm.)
Opening Height	32-1/8" (81.60)
Opening Depth	18" (45.72 cm.)
Refrigerated Volume	3.1 cu. ft.
Door Swing Clearance	25" minimum
Electrical	115V, 60Hz, 1 Phase, 2.3 amps
Plumbing	None Required
Annual Energy Usage	289 kWh/yr
Shipping Weight	185 lbs (83.91 kg)

## Available Models - 18" Depth Beverage Center

HH24BS-1L*	Solid stainless steel door, hinge left
HH24BS-2L*	Solid wood overlay door, hinge left
HH24BS-3L*	Stainless steel glass door, hinge left
HH24BS-4L*	Wood overlay glass door, hinge left

\* Also available hinge right



Form No.HH24BS  
Rev. 07.09.2012



8300 W. Good Hope Rd. • Milwaukee, WI 53223  
1-800-558-5592 • Fax: (414) 353-7069 • perlick.com

Perlick is committed to continuous improvement. Therefore, we reserve the right to change specifications without warning.