

Evolution™ 300 Series

Free-Standing Gas Range Spec Sheet HGS3023UC



BOSCH
Invented for life



Features & Benefits

- Recommended Companion to Ascenta Dishwasher or other Bosch 300 Series Products.
- Design Fits to Bosch Family Look.
- Five Burner Gas Range – Offers the Maximum Burner Performance and Ultimate Cooking Flexibility.
- Power Burner – Quick Heating with Powerful 14,000 BTU.
- 500 BTU Simmer Burner – Easily Heat Delicate Sauces without Scorching or Burning.
- Sealed Burners – Provide Excellent Cleanability in Case of Spill Overs.
- Continuous Grates – Effortlessly Move Pots and Pans. Easy to Clean.
- Self Clean Cycle Saves Time. Quickly and Easily Cleans your Oven.
- Hidden Bake Element for Improved Cleanability.
- Two Racks and Five Different Rack Positions Adjust for All Cooking Needs.
- Wide View Oven Window – Extra large Window Provides Easy Viewing of Your Food.
- Large Cavity with 5.0 cu.ft. Easily Accommodates Large Dishes and Offers Multiple Rack Cooking.
- Knobs Feature a Safety “Push to Turn” System – Makes it Harder for the Children to operate the Range.

Model

HGS3023UC	White
------------------	-------

Oven Specifications

Cavity Dimensions	5.0 cu.ft.
Type of Oven Lights	40 Watt Incandescent
# of Oven Lights	1
Standard Racks	2
Rack Positions	5
Bake BTU	18,000 BTU
Broil BTU	13,500 BTU
Concealed Bake Element	•
Bake	•
Variable Broil (HI or LO)	•
Self-Clean	•
# of Cooking Modes	3
Auto Door Lock During Cleaning	•

Oven Control Functions

Countdown Timer	•
Clock	•
Delayed Bake	•
Auto Shutoff	•
Panel Lock	•
Storage Drawer	•

Cooktop Specifications

Left Front Burner / Element	9,500 BTU
Left Rear Burner / Element	12,000 BTU
Center Burner / Element	9,500 BTU
Right Front Burner / Element	14,000 BTU
Right Rear Burner / Element	5,000 BTU
Grates	Continuous
Grate Material	Cast-iron Matte
Burner Type	Sealed
Cooktop Material	Porcelain Steel
Cooktop Color	White
Backguard Color	White

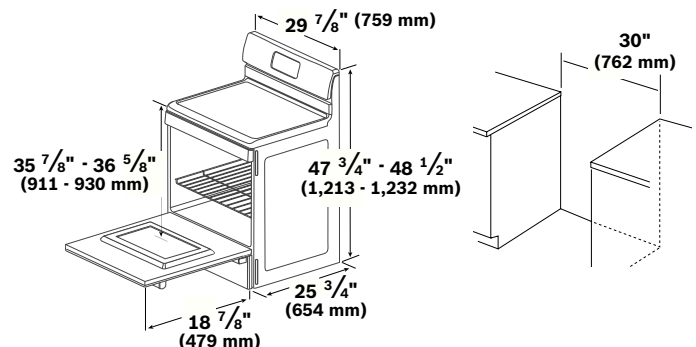
Technical Details

120 Volts; 3 Wire; 60 Hz; Single Phase	•
Amps (dedicated circuit)	15
Approvals	CSA

Optional Accessories

LP Kit	HEZ1090
--------	---------

Dimensions:



Notes: All height, width and depth dimensions are shown in inches. Please refer to installation instructions prior to making cutout. BSH reserves the absolute and unrestricted right to change product materials and specifications, at any time, without notice. Consult the product's installation instructions for final dimensional data and other details. Applicable product warranty can be found in accompanying product literature or you may contact your account manager for further details.

For more information on our entire line of products, go to boschappliances.com or call 1-800-944-2904.

Copyright ©2009 BSH Home Appliances Corporation. All rights reserved. Bosch is a registered trademark of Robert Bosch GmbH.