



30" Gas Range

Console/Controls

- diaLogic™ Electronic Oven Control with Glass Touch Panel
- Electronic Clock and Timers (2)
- Oven Control Lockout
- Delay Cook and Clean
- Auto Convection Conversion
- Dehydration Option
- Bread Proofing
- Auto Oven Shutoff
- Sabbath Mode (Oven and Warming Drawer)
- Full Stainless Steel Design

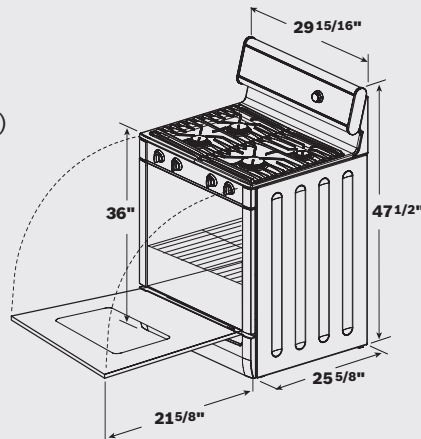
Features & Benefits

Cooktop

- Stainless Steel
- Sealed Burners
- xxL Professional Continuous Grates
- Electronic Ignition
- versaTemp™ Burner
- Simmer Burners (2)
- LR: 12,500 /11,250 NG/LP BTU
- LF: 9,000 /8,200 NG/LP BTU
- RR: 5,500 /4,950 NG/LP BTU
- RF: 16,000 /15,000 NG/LP BTU

Oven/Drawer

- threeD surround™ Convection with Third Element
- activeClean™ Convection Self-cleaning
- Standard Racks (2)
- Full Extension Telescopic Rack (1)
- Variable Broiling (Hi/Lo)
- Cook and Hold Warm Oven
- Food Temperature Probe
- 2 Interior Lights (Auto)
- Extra Wide Warming Drawer
- Full Stainless Steel Door
- Convertible to LP (kit included)



HG2528UC

Color Options	Stainless Steel Pro
Dimensions	30"
diaLogic™ Oven Controls	•
Bake	•
Broil	•
Automatic Convection Bake	•
Convection Broil	•
Convection Roast	•
Convection Conversion	•
Dehydrate	•
Sabbath Mode	•
Proof	•
Keep Warm Oven Mode	•
Temperature Probe (with third heating element)	•
Advanced Circulation System (ACS)	•
Full Extension Telescopic Racks (#)	1
Standard Rack w/ More Surface Area	2
Wide View Oven Window	•
Cavity Volume	5.1 cubic feet
40W Incandescent Lights	2
Convection Assisted Self-Cleaning Oven	•
Full Stainless Steel Backguard	•
Full Stainless Steel Oven Door	•
Rack Positions	6
Broiler Pan	•
Broil Burner BTU	12,500
Bake Burner BTU	17,000
Third Element Wattage	400

Lower Drawer

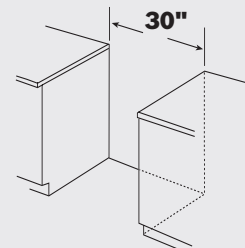
Warming Drawer (Full Extension)	•
WD/Sabbath Mode	•

Cooktop

Pro-style Continuous Matte Grates	•
Low-Profile/Flush-to-Countertop	•
Stainless Steel-Framed Main Top	•
Nickel Knobs	•
Full Stainless Control Panel	•

Technical

Dual Rated 208/240 volts, 4 wire 60 Hz	•
Amps	15



Siemens 30" Gas Range

The future moving in.

SIEMENS

UL BSH reserves the absolute and unrestricted right to change product materials and specifications, at any time, without notice. Consult the product's installation instructions for final dimensional data and other details. Applicable product warranty can be found in accompanying product literature or you may contact your account manager for further details. Notes: All height, width and depth dimensions are shown in inches. Please refer to installation instructions prior to making cutout.

1-888-4-SIEMENS • In the US: siemens-home.com • In Canada: siemens-home.ca

Copyright ©2007 BSH Home Appliances Corporation. All rights reserved. All rights reserved. Specifications subject to change without notice.

61-033-0207
Litho Date: 02/07