



Built-in Convection Microwave Oven
with Trim Kit

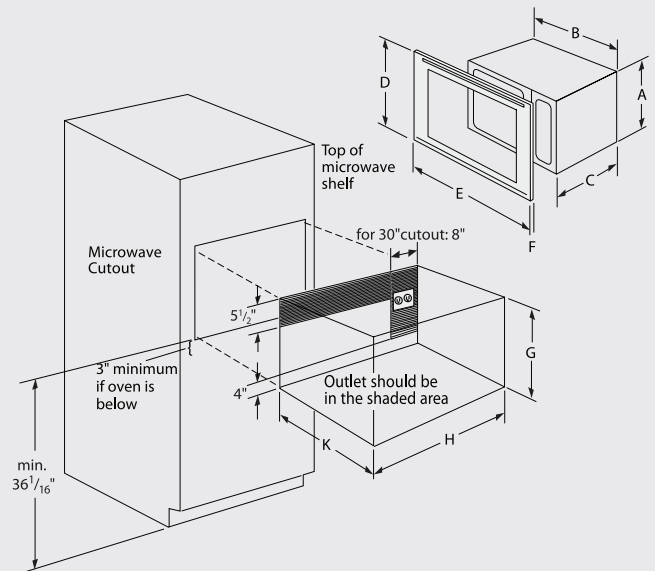
Features & Benefits

- Powerful 1,000 watt Microwave with 10 power levels for highest performance
- Convection Cooking provides the convenience of an additional oven
- A 1.5 cu.ft. cavity with a 15" turntable offer plenty of space
- Convenient Sensor and Auto recipes simplify the use
- Available with 30" Trim Kit option

30" Microwave	Overall Dimensions
A	14" ¹³ / ₁₆ "
B	23 ⁷ / ₈ "
C	19 ⁵ / ₁₆ "
D	20 ¹ / ₂ "
E	29 ³ / ₄ "
F	1 ¹ / ₂ "
	Cutout Dimensions
G	19 ⁷ / ₈ "
H	28 ⁷ / ₁₆ "
K	21"

SKU HF25C530

Type	Built-in Convection Microwave Oven with Trim Kit
Trim Kit Options	30"
Color	Stainless steel
Microwave Power	1,000 watt
Power Levels	10
Microwave Technology	Inverter
Cavity Size	1.5 cu.ft.
Turntable	Recessed Ceramic 15"
Sensor Cook	9 recipes
Quick Defrost	•
Smart Sensor Reheat	•
Auto Reheat Beverages	•
Sensor Popcorn	•
Keep Warm	•
Display	Amber scroll text
Clock	•
Kitchen Timer	•
Delay start	•
Quick Min	•
More / Less	•
Pause / Stop	•
Trim Kit 30"	HZ25C530
Amps	20
Power Supply	120 Volt, 60 Hz



Siemens Built-In Convection Microwave Oven with Trim Kit

The future moving in.

SIEMENS

Ⓛ BSH reserves the absolute and unrestricted right to change product materials and specifications, at any time, without notice. Consult the product's installation instructions for final dimensional data and other details. Applicable product warranty can be found in accompanying product literature or you may contact your account manager for further details.
Notes: All height, width and depth dimensions are shown in inches. Please refer to installation instructions prior to making cutout.

1-888-4-SIEMENS • In the US: siemens-home.com • In Canada: siemens-home.ca

Copyright ©2007 BSH Home Appliances Corporation. All rights reserved. Specifications subject to change without notice.

61-018-0107
Litho Date: 08/07