



30" Electric Range

Console/Controls

- diaLogic™ Electronic Oven Control with Glass Touch Panel
- Electronic Clock and Timers (2)
- Oven Control Lockout
- Dehydration Option
- Bread Proofing
- Delay Cook and Clean
- auto Convection Conversion
- Auto Oven Shutoff
- Sabbath Mode (Oven and Warming Drawer)
- Full Stainless Steel Design

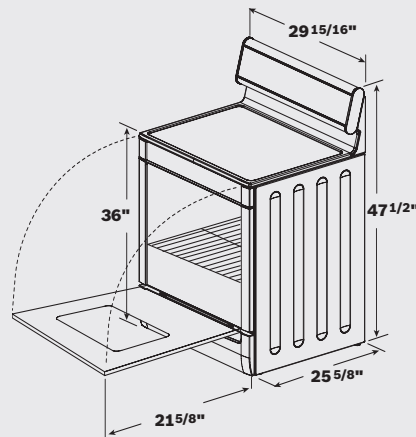
Features & Benefits

Cooktop

- Smooth Surface (ceramic glass)
- Hot Surface Indicator Displays (4)
- quickStart™ Radiant Elements
- Simmer Elements (1)
- Easy to Use Front Controls

Oven/Drawer

- threeD surround™ Convection with Third Element
- Hidden Bake Element
- Standard Racks (2)
- Full Extension Telescopic Rack (1)
- Full Stainless Steel Oven Door
- Cook and Hold Warm Oven
- Automatic Meat Probe
- Interior Light (Auto)
- Extra Wide Full-Extension Warming Drawer
- activeClean™ Convection Self-Cleaning



HE2528U

Color Options	Stainless Steel Pro
Dimensions	30"
Bake	•
Broil	•
Automatic Convection Bake	•
Convection Broil	•
Convection Roast	•
Convection Conversion	•
Dehydrate	•
Sabbath Mode	•
Proof	•
Keep Warm Oven Mode	•
Temperature Probe (with third heating element)	•
Advanced Circulation System (ACS)	•
Telescopic Racks (#)	1
Standard Rack w/ More Surface Area	2
Wide View Oven Window	•
Cavity Volume	4.6 cubic feet
40W Incandescent Lights	2
Convection Assisted Self-Cleaning Oven	•
Full Stainless Steel Backguard	•
Full Stainless Steel Oven Door	•
True Hidden Bake Element	•
Rack Positions	6
Broiler Pan	•
Broil Wattage	3600
Bake Wattage	2000
Third Element Wattage	1100

Lower Drawer

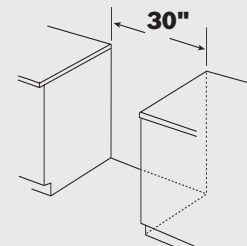
Warming Drawer (Full Extension)	•
WD/Sabbath Mode	•

Cooktop

9/12" Dual Element (2700W)	RF
5" / 7" / 9" Triple Element (2500W)	LR
6" Single Element (1200 W)	RR, LF
Stainless Steel-Framed Main Top	•
Easy-to-Use Front Controls	•
Nickel Knobs	•
Full Stainless Control Panel	•

Technical

Dual Rated 208/240 volts, 4 wire 60 Hz	•
Amps	40



Siemens 30" Electric Range

The future moving in.

SIEMENS

UL BSH reserves the absolute and unrestricted right to change product materials and specifications, at any time, without notice. Consult the product's installation instructions for final dimensional data and other details. Applicable product warranty can be found in accompanying product literature or you may contact your account manager for further details. Notes: All height, width and depth dimensions are shown in inches. Please refer to installation instructions prior to making cutout.

1-888-4-SIEMENS • In the US: siemens-home.com • In Canada: siemens-home.ca

Copyright ©2007 BSH Home Appliances Corporation. All rights reserved. All rights reserved. Specifications subject to change without notice.

61-034-0207
Litho Date: 02/07