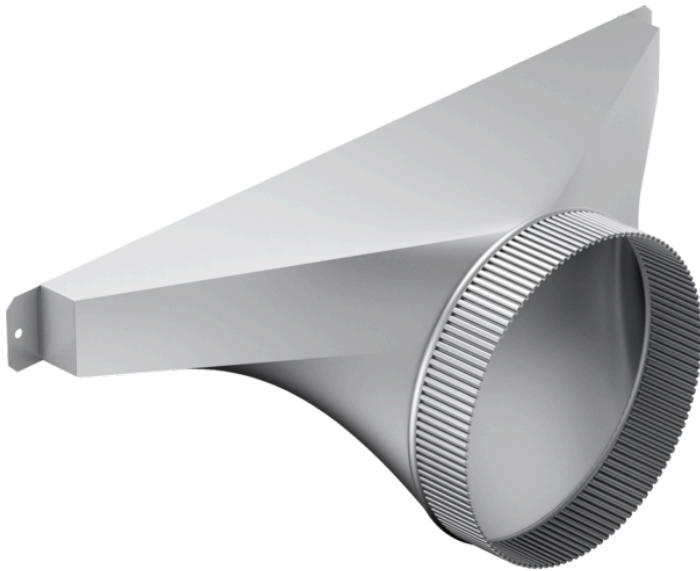


# 8" Side/Rear Transition for Downdraft HDDSTRAN8



## Features and Benefits

### Design

- Customize The Direction Of Duct Discharge To Be Left, Right, Or Rear
- Rectangular 1-7/8" x 19" Transition To 8" Round
- Ability To Use With Ducting Or Elbows With 8" Round Duct Connection
- Some Blower Positions May Need Deeper Cabinets. See Installation Guide

### Performance

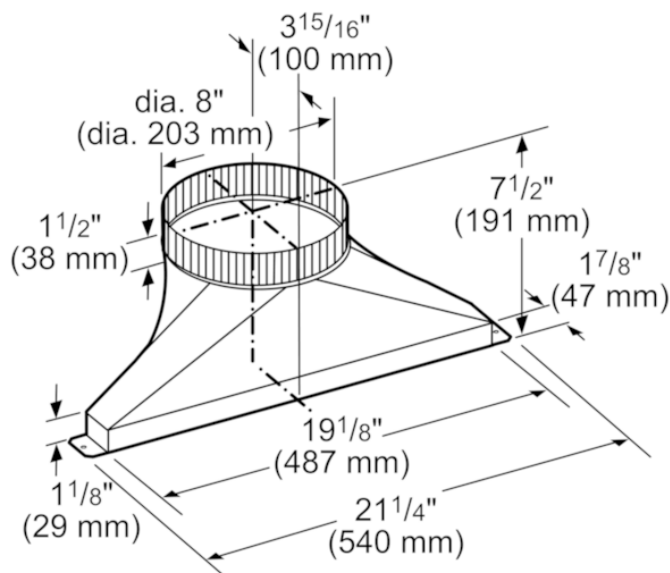
- For DHG602DUC Flexible Downdraft Blower Used As Inline Installation
- See Installation Guide For Details

Notes: All height, width and depth dimensions are shown in inches. \*Please refer to installation instructions prior to making cutout. BSH reserves the absolute and unrestricted right to change product materials and specifications, at any time, without notice. Consult the product's installation instructions for final dimensional data and other details. Applicable product warranty can be found in a accompanying product literature or you may contact your account manager for further details.

For more information on our entire line of products, go to [boschappliances.com](http://boschappliances.com) or call 1-800-944-2904.  
Copyright ©2019 BSH Home Appliances Corporation. All rights reserved. Bosch is a registered trademark of Robert Bosch GmbH.

Litho Date: 04/2019

# 8" Side/Rear Transition for Downdraft HDDSTRAN8



measurements in inches (mm)

## Features

Product Description	
Product group	Accessory
Brand	Bosch
Product name / series name	
SKU	HDDSTRAN8
Internal article number	00000000000777721
EAN code	4242002909363
Product packaging dimensions (HxWxD) (in)	
Net weight (lbs)	3
Gross weight (lbs)	3
Quantity per packing unit	
Standard number of units per pallet	20
UPC code	825225920434
Name of product image	MCSA02477409_i3922_1851069_CVTSIDE8_de

## Technical Specification

Notes: All height, width and depth dimensions are shown in inches. \*Please refer to installation instructions prior to making cutout. BSH reserves the absolute and unrestricted right to change product materials and specifications, at any time, without notice. Consult the product's installation instructions for final dimensional data and other details. Applicable product warranty can be found in a accompanying product literature or you may contact your account manager for further details.

For more information on our entire line of products, go to [boschappliances.com](http://boschappliances.com) or call 1-800-944-2904.

Copyright ©2019 BSH Home Appliances Corporation. All rights reserved. Bosch is a registered trademark of Robert Bosch GmbH.

Litho Date: 04/2019