

HDCT304, HDCT365

Doc #: PGH-HDCT3036.01 Revised 29 Jan 2019 Page 1 of 5
All tolerances: $\pm 1/16"$ (± 1.6 mm) unless otherwise stated.



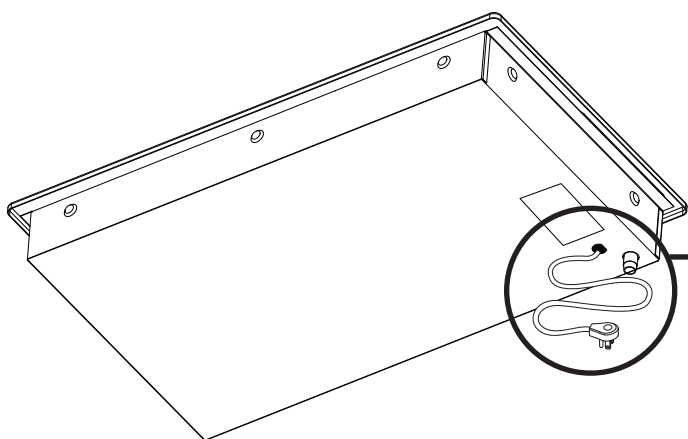
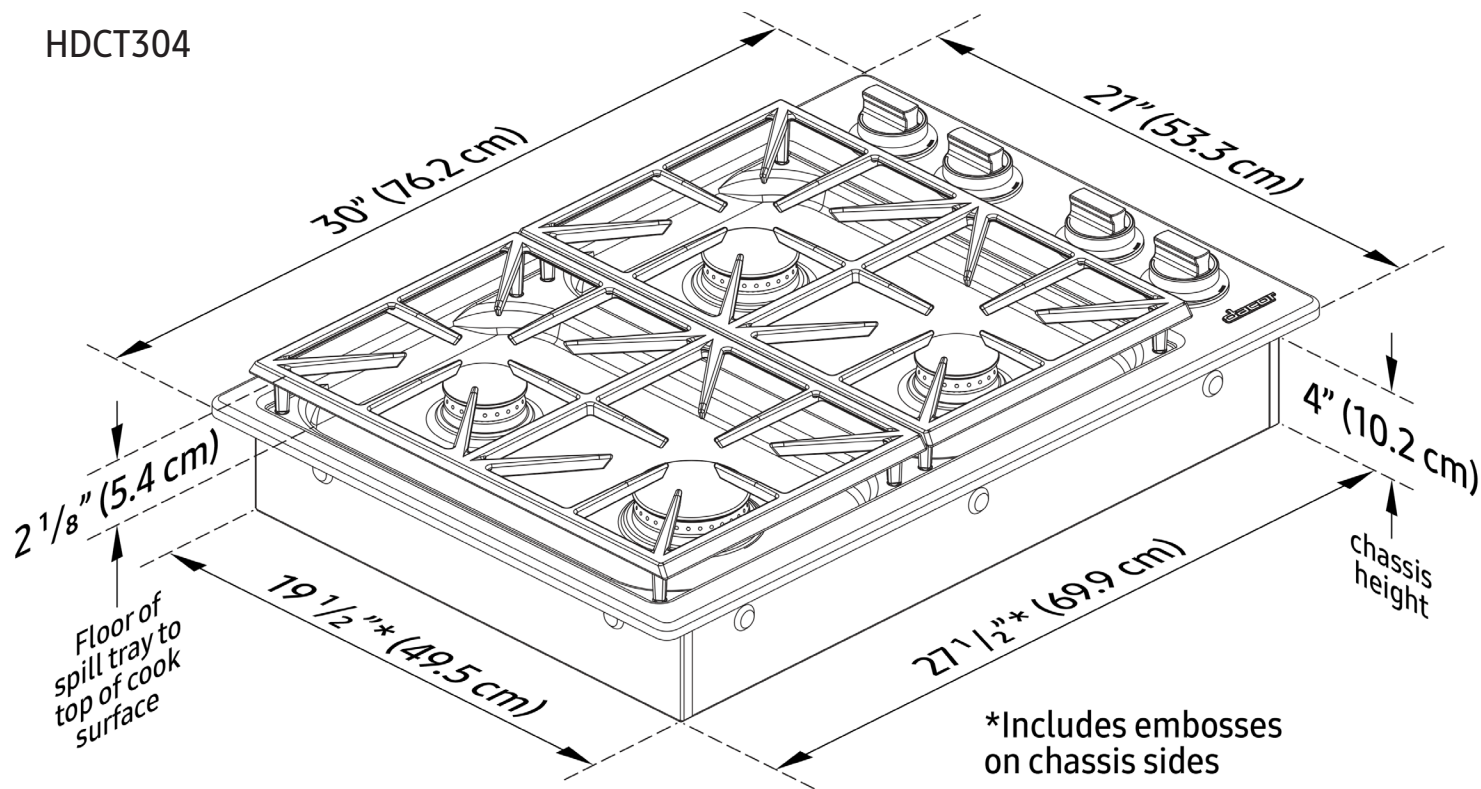
Heritage® 30", 36" Dual Cooktop

PLANNING GUIDE

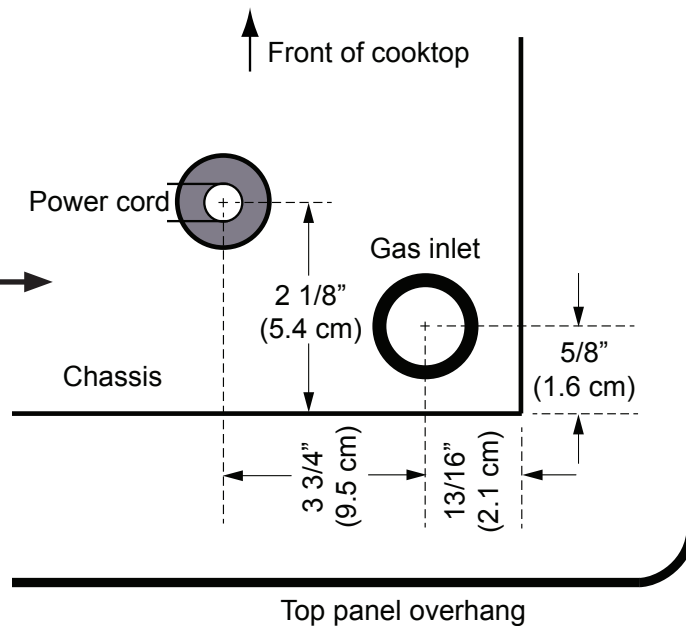
WARNING

- Observe all governing codes and ordinances during planning/installation.
- Contact the local building department for details. This cooktop must be installed as specified in its installation instructions.

HDCT304



HDCT304
Power Cord and Gas-Inlet Location



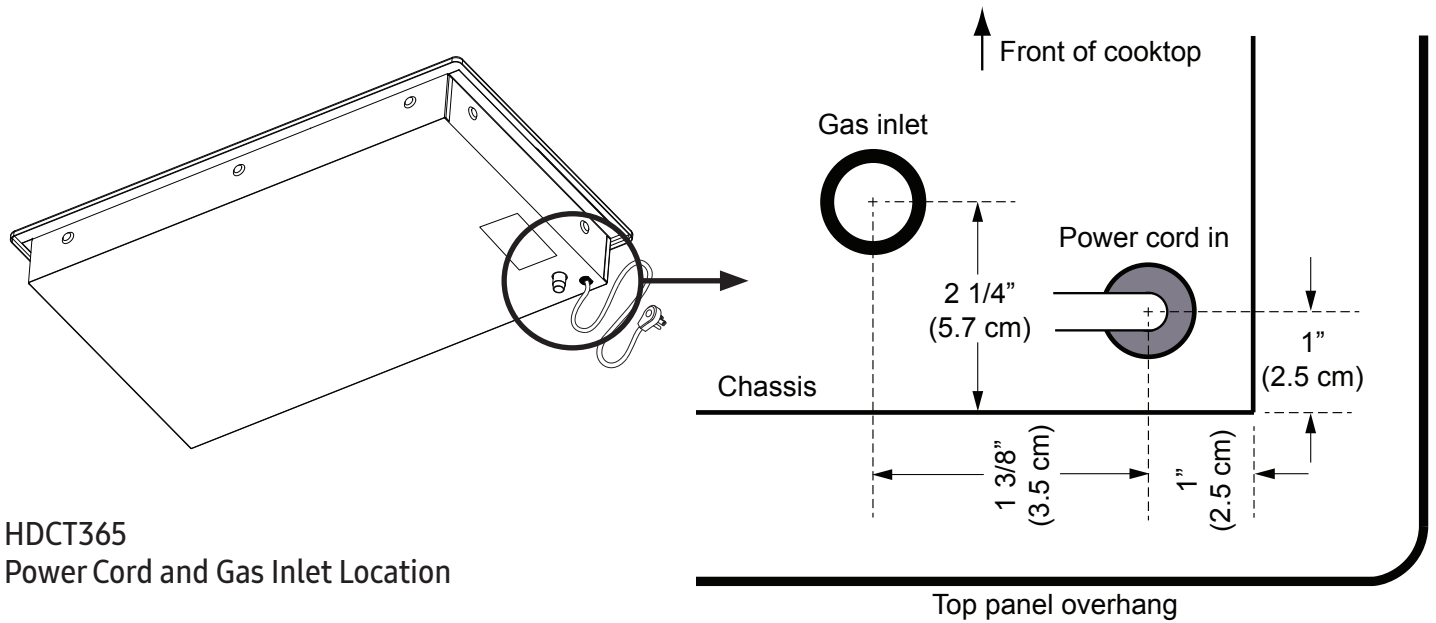
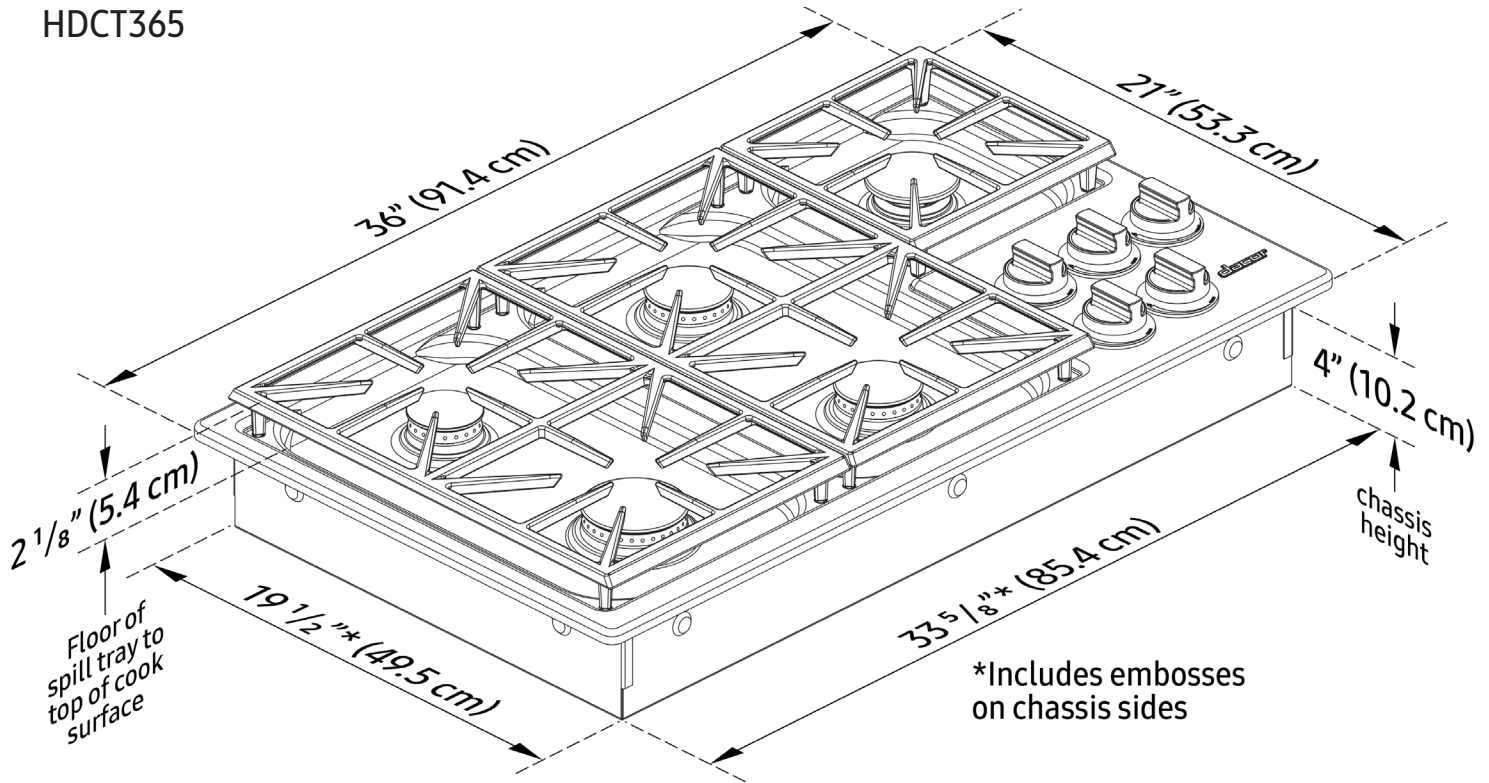
HDCT304, HDCT365



Heritage® 30", 36" Dual Cooktop

PLANNING GUIDE

HDCT365



HDCT365
Power Cord and Gas Inlet Location



Heritage® 30", 36" Dual Cooktop

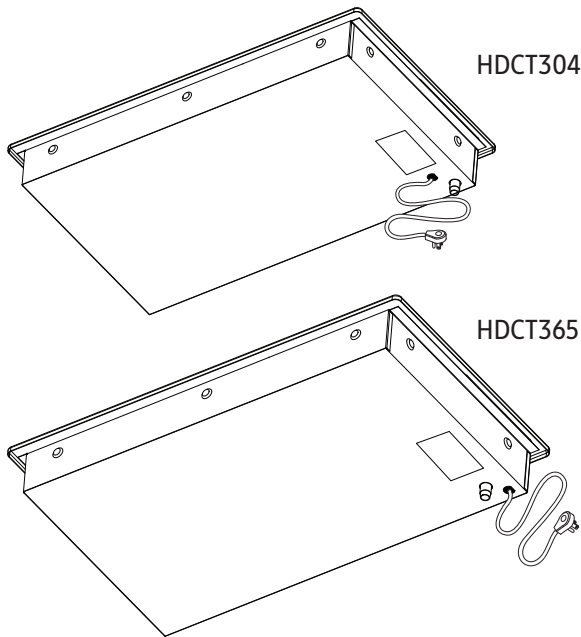
PLANNING GUIDE

Electrical Requirements

WARNING

To prevent electric shock, the power supply must meet the given specifications. The owner shall ensure that the electrical service meets requirements and that the power outlet is properly installed by a licensed electrician.

- The cooktop has a 40-in. power cord with 3-prong grounding plug on the chassis' bottom right-rear corner.



- The cooktop must be connected to a dedicated, grounded 3-prong electrical outlet installed by a licensed electrician.
- The electrical installation, including supply-wire size and grounding, must be done according to National Electric Code ANSI/NFPA 70* and local codes and ordinances. A copy of this standard is available from:
National Fire Protection Association
1 Batterymarch Park
Quincy, MA 02269-9101
- The correct voltage, frequency, and amperage must be supplied to the electrical outlet according to the data label (see previous graphic).
- See the **Gas/Electrical Requirements** table (this page).
- Choose an easily accessible electrical outlet so the cooktop can be unplugged for service/maintenance.

Gas-Supply Requirements

- Ensure the cooktop is correct for the gas (natural or liquid propane) provided. If using the cooktop above 4000 ft. (1219 m) elevation, ensure it is equipped for high-elevation operation.
- Units equipped for liquid propane have "LP" in the model number on the product data label (previous graphic).
- Units equipped for high-elevation use have an "H" at the end of the model number on the product data label.
- Install the cooktop according to local building codes; if none exist, install the appliance according to the National Fuel Gas Code ANSI Z223.1/NFPA 54.
- An external manual shut-off valve must be installed between the gas inlet and cooktop so gas to the appliance can be turned on/off.
- The cooktop comes with its own regulator, which must be installed in the gas line from the cooktop gas inlet to the gas shut-off valve. Use only the regulator provided.
- The cooktop has a 3/4-in. regulator approved for connection to a 1/2-in. house gas supply.
- The cooktop gas connection is on the chassis bottom in the right-rear corner (previous graphic).

Gas and Electrical Requirements*

Data Type*	HDCT304/NG, HDCT365/NG	HDCT304/LP, HDCT365/LP
Gas type	Natural Gas	LP Gas
Manifold pressure	5" water column	10" water column
Min. gas-supply pressure**	6" water column	11" water column
Max. gas-supply pressure	1/2 psi	
Total connected load	0.25 Amp. (0.03 kW)	
Circuit requirement	120 Vac, 60 Hz, 15 Amp	
*This data is for reference only. If it does not agree with the product data label, use the data on the product data label; **the gas-supply pressure for testing the regulator setting shall be at least 1" water column (249 Pa) above the specified manifold pressure.		



Heritage® 30", 36" Dual Cooktop

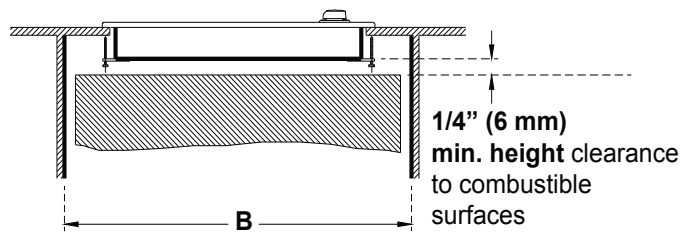
PLANNING GUIDE

Cabinet and Countertop Layout

WARNING

- To reduce risk of personal injury from reaching over a hot cooktop, avoid cabinet storage over the cooktop.
- Failure to meet or exceed the maximum and minimum dimensions/clearances as instructed may cause a fire hazard.
- Follow the countertop manufacturer's instructions regarding all aspects of countertop installation.

- Carefully check the cooktop installation site. Situate the cooktop away from drafts and wet areas.
- Use the cooktop with a suitable vent hood or approved Dacor downdraft.



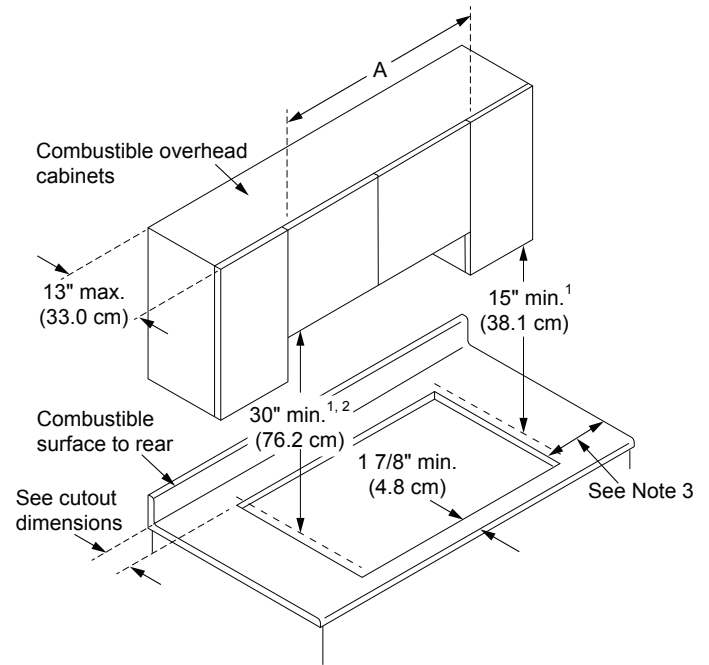
Underneath Cabinet Dimensions

Model	(B) Minimum for clearance of hold-down brackets
HDCT304	29 in (73.7 cm)
HDCT365	35 1/4 in (89.5 cm)

Installation must allow:

- At least 1/4" (6 mm) clearance between the bottom of the cooktop chassis and all combustible surfaces, including the edges and corners of drawers under the cooktop.
- Clearance for hold-down brackets
- The gas supply piping, gas shut-off valve, and electrical outlet must not interfere with the installed cooktop.
- If installing an appliance below the cooktop, allow for routing of utilities behind it.
- Access to the gas shut-off valve and regulator without moving the cooktop.
- The 40" (101.6 cm) power cord to reach an electrical outlet, and outlet to be accessible without moving the cooktop.
- Access to the cooktop bottom for service/maintenance (Do not install fixed shelving below the cooktop).

Model	(A) Minimum	(A) Maximum
HPCT304G	30" (76.2 cm)	36" (91.4 cm)
HPCT365G	36" (91.4 cm)	42" (106.7 cm)



Callout	Description
1	Measured from top of cooktop grate
2	If installing with an overhead vent hood, also check hood specifications for minimum required clearances.
3	Not applicable for cabinets more than a horizontal distance of 6" (15.2 cm) from edge of cooktop.

Downdraft Compatibility

If installing the cooktop with a downdraft, use only the approved Dacor model numbers MRV3015 or MRV3615. (See Pg. 5.)

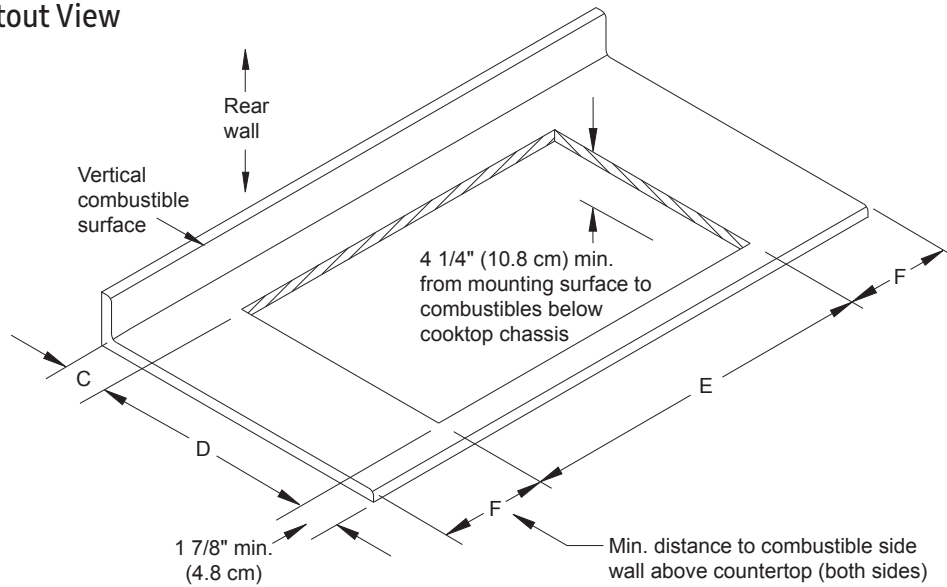
Model	Approved Downdraft Models
HDCT304	MRV3015S
HDCT365	MRV3615S



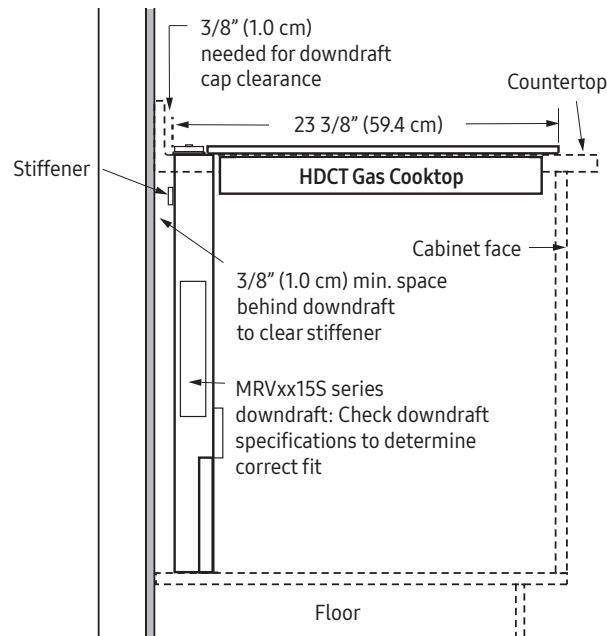
Heritage® 30", 36" Dual Cooktop

PLANNING GUIDE

Countertop Cutout View



CUTOUT TYPE AND DIMENSIONS				
Installation Type	(C) Minimum	(D)	(E)	(F)
HDCT304 (no downdraft)	2 7/8" (7.3 cm)	19 3/4" (50.2 cm)	27 5/8" (70.1 cm)	7 1/2" (19.1 cm)
HDCT304 (with MRV3015S)	3/8" (1.0 cm)	22 1/2" (57.2 cm)		
HDCT365 (no downdraft)	2 7/8" (7.3 cm)	19 3/4" (50.2 cm)	33 3/4" (85.7 cm)	7" (17.8 cm)
HDCT365 (with MRV3615S)	3/8" (1.0 cm)	22 1/2" (57.2 cm)		



Cooktop with Downdraft: MRV Series