

## 24" 2.0 Cubic Foot Gas Freestanding Range

HCR2250AGS



Product image does not represent final photography.

### Signature Features

#### Convection

Includes a rear fan to distribute hot air throughout the oven for faster, more even baking

#### Triple Ring Burner

Delivers intense heat for high output cooking performance

#### Heavy Duty Continuous Cast Iron Grates

Allow easy movement of cookware while Providing even heat distribution with better heat retention

#### Halogen Interior Lighting

Distributes bright, clear light throughout the oven

Available Q3 2016

### Unit Specifications

Width	23 2/5"
Depth	25 1/5"
Height	36"
Weight	115 lbs.
UPC	688057374383

### More Easy-To-Use Features

- Stainless Steel Sides
- Electronic Controls
- Digital Clock with Automatic Cut-Off Timer
- Two 7,000 BTU/hr Semi-Rapid Burners
- One 5,000 BTU/hr Auxiliary Burner
- Conversion Kit Included
- Removable Interior Glass Door
- Three Heating Methods:  
Convection Bake, Bake, Broil
- Two Racks with 5 Rack Positions
- Broil Pan Set Included
- Wok Ring Included
- Back Guard Included

### Warranty

- 2 Year Warranty (Parts and Labor)

### Available Finishes

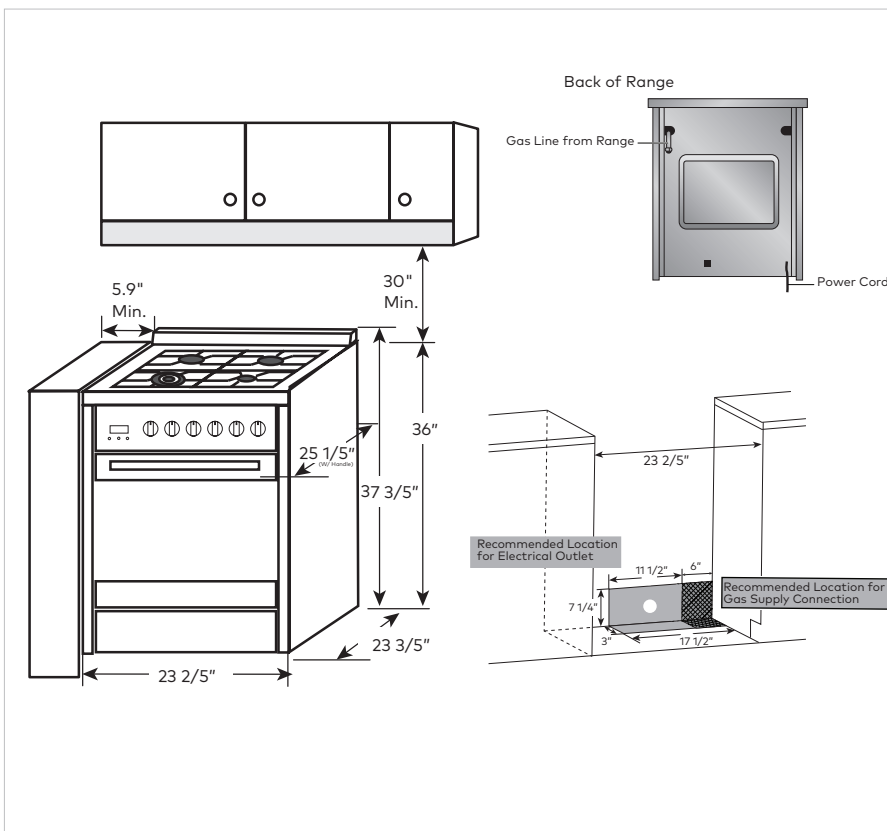


Stainless Steel

### Overall Packaging Details

Packaging	lb./in.	
Gross Weight	133 lb.	
Dimensions	<b>W</b>	25"
	<b>D</b>	27 3/8"
	<b>H</b>	36 3/4"
<b>Power Requirements</b>		
Electrical Rating	120V, 60Hz	

### Product Technical Illustration



### General Appliance Information

Please read all installation details and instructions before use.

### Contact Us

For questions regarding this product please refer to our website at [haieramerica.com](http://haieramerica.com) or call our customer service center at 877-337-3639.



\* Leveling legs included in accessory package inside a separate box.