

HCB 2060 and HCB 2061

Premium Plus NoFrost

36" Fully Integrated Refrigerator & Freezer with Biofresh

The **HCB 2060 (right hand)** and **HCB 2061 (left hand)** fully-integrated 36" wide refrigerator-freezer combination offers the ultimate in design flexibility with the ability to completely hide the appliance behind your kitchen cabinetry.

In the interior, GlassLine shelving with aluminum trim offers plenty of storage space for all your food. On the inner door, gallon holders and additional storage racks offer space for beverages and sauces. The spacious vegetable drawers as well as the double freezer drawers are illuminated by numerous LED lights, for beautiful soft lighting as soon as you open the door. Liebherr's automatic Ice Maker that is located in the top freezer drawer completes the outstanding appliance.



LED light column

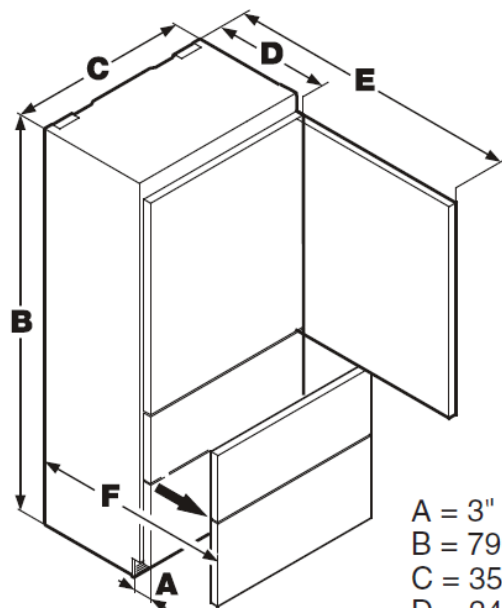


Digital Display

Capacity	535 liters / 18.9 cu. ft.
Refrigerator Compartment	295 liters / 10.5 cu. ft.
Biofresh Drawers	69 liters / 2.4 cu. ft.
Freezer Compartment	170 liters / 6.0 cu. ft.
Energy Star	Yes
Energy consumption per year	556 KWH/Y
Estimated yearly Energy Cost	\$67 USD *
Climate rating	SN-T 10°C to 43°C(50°F to 110°F)
Power	115v at 60hz 2.5 amps/300 watt
Shipping weight	180 kg /397 lbs.
Refrigerator Compartment	
Refrigerator Door HC 2060	Right Hand (not customer reversible)
Refrigerator Door HC 2061	Left Hand (not customer reversible)
Interior light	LED Side and Top
Biofresh Drawers	Two with LED light
Forced air fan system	Quiet DC fan
Bottle shelf	Integrated and Variable
Adjustable Glass Door shelves	4
Gallon storage door shelf	2
Glass Shelves Adjustable	3
Freezer compartment	
Interior light	LED
Icemaker	Connected water supply
Ice cube production in 24 hr.	1.3 kg / 3 lbs.
Ice cube storage capacity	2.7 kg / 6 lbs.
*Your Energy Costs will depend on your utility rates and use. Estimated energy cost based on a national average electricity cost of 12 cents per KWh.	

THIS IS A QUICK REFERENCE GUIDE FOR HCB 2060 and HCB 2061, FOR COMPLETE INSTRUCTIONS, PLEASE REFER TO THE DESIGN GUIDE OR VISIT <http://www.liebherr-appliances.com>

Unit Dimensions - Figure 1



- A = 3" (76 mm)
- B = 79-13/16" (2027 mm)
- C = 35-13/16" (910 mm)
- D = 24" (610 mm)
- E = 61-1/4" (1556 mm)
- F = 37-1/8" (943 mm)

Figure 1

	Cabinet Height C	Framed cabinet Depth B	Frameless cabinet Depth B
HC 2062	80"	24 3/4"	24"
	84"	24 3/4"	24"

Overall height can be increased on HC 20 and HCS 20 units by 1-1/2" (40 mm) by adjusting the roller base.

HC 2062

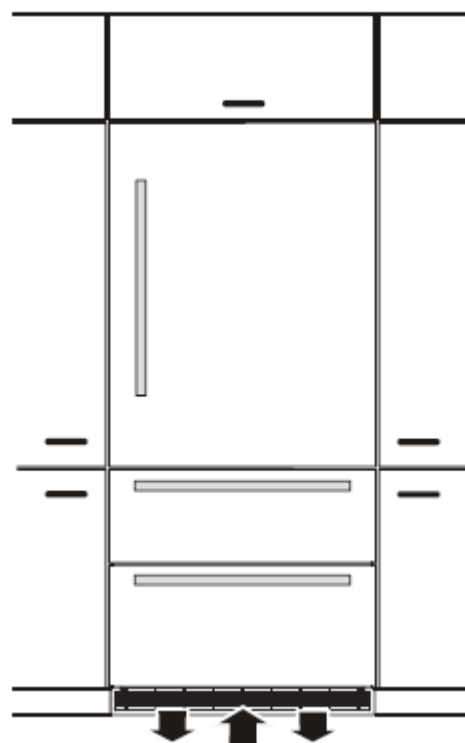
- A. 3" (76 mm)
- B. 79-13/16" (2027 mm)
- C. 35-13/16" (910 mm)
- D. 3" (76 mm)
- E. 24" (610 mm)
- G. 42-7/16" (1078 mm)
- H. 37-1/8" (943 mm)

Please allow for door swing clearance at locations next to a wall.

The illustrated measurement for HC 2062 is without mounted front panels. Be sure to add your panel thickness and handle depth to this measurement in order to avoid interferences.

Ventilation Requirements

HC 2060/2061 appliances do not require any ventilation openings in the cabinet. The required airflow is directed through the toe kick area.



It is important to use the provided cover grille for the ventilation opening. This opening must not be covered with a cabinet base.

A = 36" (914 mm)

IMPORTANT

Do not install the shut-off valve behind the appliance.

The position of the electrical outlet can be within the grey shaded areas or above the appliance.

