

Wall Range Hood, 36", Box Chimney

Series 7 | Contemporary

Stainless Steel and Glass

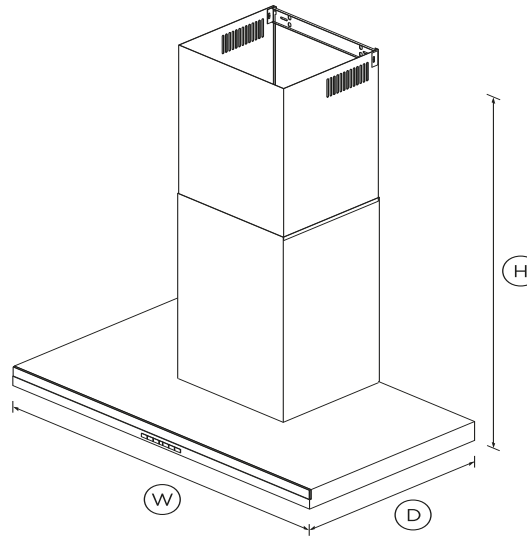


The wall chimney range hood has contemporary styling, extracting steam, grease and cooking odors quietly and efficiently.

- With four fan speeds, select the perfect extraction rate for your cooking
- Energy-efficient LED lighting to illuminate your cooking surface
- Powerful 600CFM maximum airflow

DIMENSIONS

Height	23 3/4 - 41 1/16"
Width	35 3/8"
Depth	19 11/16"



FEATURES & BENEFITS

Quiet and effective

This vent hood features four fan speeds providing powerful extraction to quickly remove odours and steam. As odors can linger in the kitchen well after cooking is finished, the timer keeps the vent hood working for up to 15 minutes before automatically turning off.

Simple controls

This Fisher & Paykel chimney range hood features a sleek and easy to use soft-touch control panel. This range hood's LED

lights provide bright, warm, energy efficient lighting ensuring the entire cooktop surface is illuminated.

Easy cleaning

The black glass and stainless steel finish is easily wiped clean. Multi-layered, dishwasher safe filters trap grease effectively and can easily be removed for cleaning.

Complementary Design

This wall chimney vent hood's sleek stainless steel finish will complement any contemporary kitchen and is designed to match the rest of Fisher & Paykel's kitchen appliance family.

SPECIFICATIONS

Accessories

Chimney extension	791774
Light bulb	792579
Recirculation carbon filter	791772
Recirculation diverter	792580

Fan ratings

Maximum sound rating	67dBA
Speed 3 sound rating	63dBA

Installation and cleaning

Air outlet size	6"
Dishwasher safe filters	3
Ducted	Top extraction
Recirculation	Optional - top extraction

Performance

Extraction type	Surface
-----------------	---------

Fan speeds	4
Filter type	Mesh
Number of filters	3

Paykel's Customer Care Centre to ensure this page correctly describes the model currently available. ? Fisher & Paykel Appliances Ltd 2020

Other product downloads available at fisherpaykel.com



Data Sheet Wall Range Hood

Power requirements

Rated current	5.2A
Supply frequency	60Hz
Supply voltage	120V
Total Power	542W

Product dimensions

Depth	19 11/16"
Height	23 3/4 - 41 1/16"
Width	35 3/8"

Product information

Control type	Soft-touch
--------------	------------

Ventilation features

Light type	LED
------------	-----

Warranty

Parts and labor	2 years
-----------------	---------

SKU	50084
-----	-------

The product dimensions and specifications in this page apply to the specific product and model. Under our policy of continuous improvement, these dimensions and specifications may change at any time. You should therefore check with Fisher &



A PEACE OF MIND SALE

24 Hours 7 Days a Week Customer Support

T 1.888.936.7872 [Wwww.fisherpaykel.com](http://www.fisherpaykel.com)