

Wall Range Hood, 30", Box Chimney

Series 7 | Contemporary

Stainless Steel and Glass

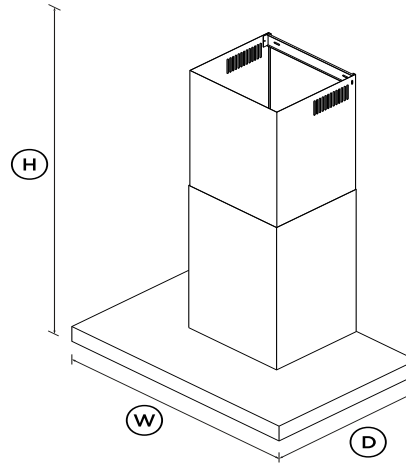


This Contemporary style range hood extracts steam, grease and cooking odors quietly and efficiently.

- With three fan speeds plus a boost function, select the perfect extraction rate for your cooking
- Energy-efficient LED lighting to illuminate your cooking surface
- Powerful maximum air movement of 400CFM
- Wi-Fi enabled for notifications through the SmartHQ™ app

DIMENSIONS

Height	25 - 40 3/4"
Width	29 3/4"
Depth	19 11/16"



FEATURES & BENEFITS

QUIET AND EFFECTIVE

Featuring perimeter extraction, four fan speeds, and a boost function, this range hood provides powerful extraction to quickly remove odors and steam. Odors can linger in the kitchen well after cooking is finished so the timer keeps the hood working for up to 15 minutes before automatically turning off.

SIMPLE CONTROLS

The intuitive control panel responds to the touch of your finger. LED strip lighting illuminates the entire cooktop surface for the perfect sear or ideal reduction. Range hood settings, including temperature and fan speed, can be controlled via the SmartHQ™

app, with additional voice control options for fan speeds and lighting.

EASY CLEANING

Designed for simple removal, the filters are easy to clean and dishwasher safe, while the glass and stainless steel finish is easily wiped clean. The SmartHQ™ app will notify you when to clean the filter to ensure you get the best performance out of your range hood.

COMPLEMENTARY DESIGN

The stainless steel finish of this vent hood will complement any contemporary kitchen and is designed to match the rest of Fisher & Paykel kitchen appliance family.

EASY INSTALLATION

This range hood is the perfect partner to your Fisher & Paykel cooktop. It can be either externally ducted or internally recirculated, making it perfect for apartments.

SPECIFICATIONS

Accessories (sold separately)

Chimney extension	792492
Recirculation carbon filter	792481
Recirculation diverter	792560

Fan ratings

Maximum air movement	400CFM
Maximum speed sound rating	9.5sones
Speed 1 sound rating	1.3sones

Installation and cleaning

Air outlet size	6"
Dishwasher safe filters	3
Ducted	Top extraction

Recirculation **Optional - top extraction**

Stainless steel filter cover •

Performance

Extraction type **Surface**

Fan speeds **3**

Filter type **Mesh**

Number of filters **3**

Power requirements

Rated current **5.2A**

Supply frequency **60Hz**

Supply voltage **120V**

Product dimensions

Depth **19 11/16"**

Height **25 - 40 3/4"**

Width **29 3/4"**

Product information

Control type **Capacitive touch**

Ventilation features

Auto-off/Run-on timer •

Dimmable lights •

Filter cleaning alert •

Light type **LED**

Timer function •

Wi-Fi connectivity •

Warranty

Parts and labor **2 years**

SKU **50209**

The product dimensions and specifications in this page apply to the specific product and model. Under our policy of continuous improvement, these dimensions and specifications may change at any time. You should therefore check with Fisher & Paykel's Customer Care Centre to ensure this page correctly describes the model currently available. © Fisher & Paykel Appliances Ltd 2020

Other product downloads available at fisherpaykel.com

- [↓ Service & Warranty](#)
- [↓ User Guide Wall Rangehood](#)
- [↓ User Guide Wall Rangehood](#)
- [↓ User Guide Wall Rangehood](#)
- [↓ Preliminary Specification Guide](#)
- [↓ Data Sheet Rangehood](#)



A PEACE OF MIND SALE

24 Hours 7 Days a Week Customer Support

T 1.888.936.7872 W www.fisherpaykel.com