

HC 2080

Fully Integrated/Seamless



 GERMAN
ENGINEERING

LIEBHERR

Quality, Design and Innovation

The 36" **HC 2080** refrigerator-freezer with single refrigerator door and self-closing double freezer drawers, fulfills both your design and storage needs. Outstanding LED lighting can be found on the ceiling and refrigerator side walls, which double as shelf support, as well as inside the freezer drawers. The fully extendable freezer drawers are designed with SoftTelescopic, which provides reliable self-retraction and soft closing. The automatic IceMaker with fixed water connection produces perfect half-moon crescent ice cubes, keeping a constant supply on hand for every occasion.

Liebherr's DuoCooling system, with individual variable speed compressors, provides superior performance and efficiency, as well as advanced food preservation. The dual refrigeration system creates optimal conditions in both the refrigerator and freezer compartments, which lengthens the shelf life of foods for a healthier lifestyle. Individual silent cooling systems ensure accurate temperature and humidity controls so that your fresh foods never dry out.



Fully Integrated/Seamless

HC 2080 PremiumPlus



Energy consumption (kWh/y)

Estimated Yearly Energy Cost in US \$*

Sound rating dB(A)**

Refrigerator capacity cu.ft. (l)

Freezer capacity cu.ft. (l)

Number of shelves

Number of door racks

Number of freezer drawers

Number of fruit and vegetable drawers

Electronic control

Refrigerator temperature range °F (°C)***

Freezer temperature range °F (°C)

Defrost type

Interior light

Water filter

IceMaker

Ice cube output lbs. (kg)/24h

Ice cube stock lbs. (kg)

Door hinges

Product dimensions (H/W/D) in. (cm)

Cut out dimensions (H/W/D) in. (cm)

Net weight lbs. (kg)

Voltage V/Hz

562

67

44

13.5 (382)

6.0 (170)

3

7

2 with LED lighting

3 with LED lighting

MagicEye with digital temp. display, touch electronic

+36°F to +43°F (+2°C to +6°C)

+7°F to -17°F (-14°C to -27°C)

automatic

LED light column and LED ceiling lighting

yes

fixed water connection

3.1 (1.4)

7.9 (3.6)

right

79 13/16" / 35 7/8" / 24 1/16" (202.7/91/61)

80"-81 5/8" / 36 1/16" / 24 5/8" (203.2-207.2/91.5/62.5)

372.6 (169.0)

115/60

* Estimated energy cost will depend on utility rates and use. Estimated energy cost based on a national average electricity cost of 12 cents per kWh.

** Noise output – according to EN 60704-3.



German Engineering: Our superior products offer premium quality, cutting edge design, and innovative features that best fit your lifestyle. The use of high quality materials, perfectly detailed finishes, and elite cooling components are combined with the latest production processes, resulting in an outstanding cooling product.



Energy Star: The entire line of North American Liebherr appliances meet or exceed ENERGY STAR® rating requirements, greatly reducing greenhouse emissions and energy costs.



Duo Cooling

DuoCooling: The dual refrigeration system creates optimal conditions in both the refrigerator and freezer which lengthens the shelf life of food items for a healthier lifestyle. This technology also preserves the flavor and texture of foods since there is no transfer of unwanted air, moisture or food aroma between the two compartments.



SuperCool/SuperFrost: Simply quick chill and/or freeze fresh groceries to preserve optimum freshness and seal in flavors, textures as well as maintain essential vitamins and minerals.



Super Quiet

SuperQuiet: Noise levels are kept to a minimum thanks to virtually silent, speed-controlled, and sound absorbing compressors. Alongside a low noise cooling circuit, these features ensure exact performance, energy efficiency, and SuperQuiet operation.



Electronic Control

Electronic Display: Our intuitive electronic touch control panel ensures all functions are easy and convenient to use as well as guarantees that the settings selected remain accurate and constant.



Glass Line

GlassLine: The elegant yet tough GlassLine shelves are scratch resistant and easy to clean as well as dishwasher safe. The space-saving shelves are designed for organization and are completely adjustable to suit your needs and the contents of the refrigerator. Additionally, the lighting shines through for a brighter interior.



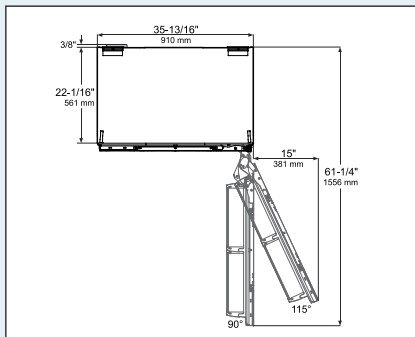
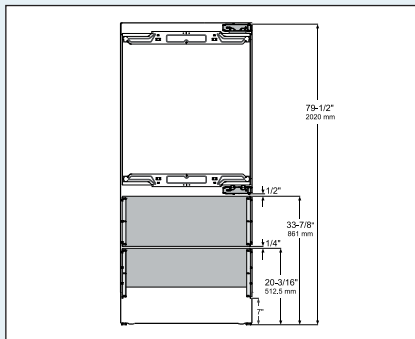
LED

LED: Distinctive LED light columns are integrated into both sides of the compartment liner. Inside the columns are numerous cool LED lights that ensure uniform lighting throughout the interior.

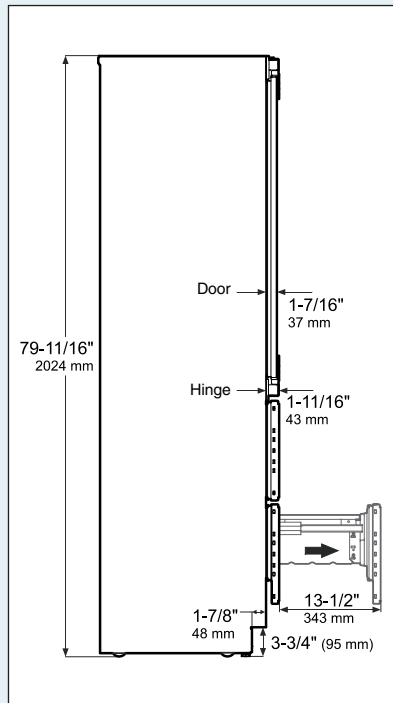


Gallon Storage on door: A Liebherr is designed to fit more cubic feet of your everyday life. The durable yet elegant GlassLine door racks easily accommodate a large supply of milk or juice on hand.

Unit Dimensions

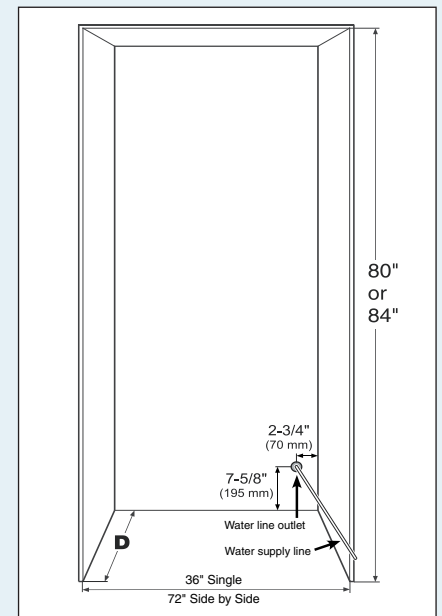


Allow door swing clearance at locations next to a wall. The refrigerator door must open to a minimum of 90° to allow the crispers to open and the shelves to be removed.



Height can be increased by 1-1/2" (40 mm) by turning the levelling feet at the front and the height adjustable roller units at the appliance rear.

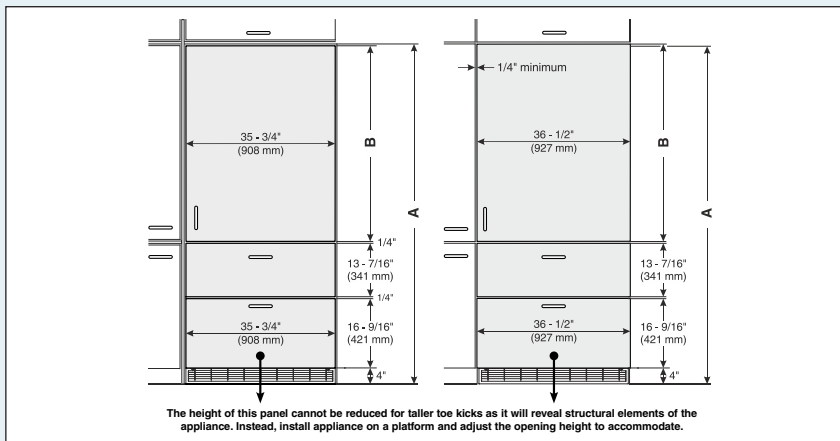
Cabinet Opening Dimensions



Inset cabinet Depth D	Frameless cabinet Depth D
24" + panel thickness	24"

Factory available stainless steel panels are designed for an inset installation only and require a cabinet / gable depth of 24 - 3/4".

Panel Dimensions



The height of this panel cannot be reduced for taller toe kicks as it will reveal structural elements of the appliance. Instead, install appliance on a platform and adjust the opening height to accommodate.

Inset Installation Style

- Minimum panel thickness is **5/8"** (16 mm).
- Maximum panel thickness is **1-1/2"** (38 mm).
- Maximum weight of the refrigerator panel is **60 lbs** (27 kg).
- Maximum weight of each freezer panel is **26.5 lbs** (12 kg).

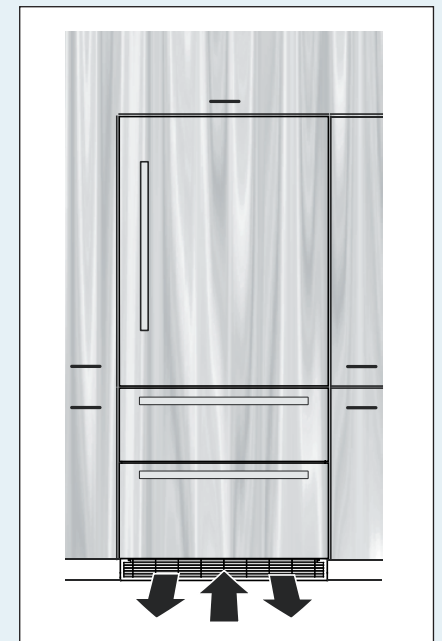
Cabinet opening A	Refrigerator door panel B
80"	45-1/4" (1150 mm)
84"	49-1/4" (1251 mm)"

Frameless Installation Style

- Minimum panel thickness is **5/8"** (16 mm).
- Maximum panel thickness is **1-1/2"** (38 mm).
- Maximum weight of the refrigerator panel is **60 lbs** (27 kg).
- Maximum weight of each freezer panel is **26.5 lbs** (12 kg).

Cabinet opening A	Refrigerator door panel B
80"	45-3/4" (1162 mm)
84"	49-3/4" (1264 mm)"

Ventilation Requirements



The appliance do not require ventilation considerations in the cabinetry. The required airflow is directed through the toe kick base. It is important to use the provided cover grille for the ventilation opening. This opening must not be covered.