

## HC 2060 and HC 2061

### Premium Plus NoFrost

### 36" Fully Integrated Refrigerator & Freezer

The HC 2060 (right hand) and HC 2061 (left hand) fully-integrated 36" wide refrigerator-freezer combination offers the ultimate in design flexibility with the ability to completely hide the appliance behind your kitchen cabinetry.

In the interior, GlassLine shelving offers plenty of storage space for all your food. On the inner door, gallon holders and additional storage racks offer space for beverages and sauces. The spacious vegetable drawers as well as the double freezer drawers are illuminated by numerous LED lights, for beautiful soft lighting as soon as you open the door. Liebherr's automatic IceMaker that is located in the top freezer drawer completes the outstanding appliance.



LED light column

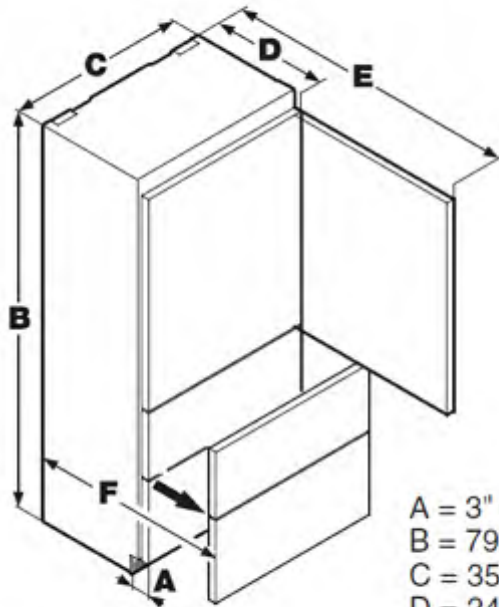


Digital Display

<b>Capacity</b>	552 liters / 19.5 cu. ft.
Refrigerator Compartment	382 liters / 13.5 cu. ft.
Freezer Compartment	170 liters / 6.0 cu. ft.
Energy Star	Yes
Energy consumption per year	561 KWH/Y
Estimated yearly Energy Cost	\$67 USD *
Climate rating	SN-T 10°C to 43°C(50°F to 110°F)
Power	115v at 60hz 2.5 amps/300 watt
Shipping weight	180 kg /397 lbs.
<b>Refrigerator Compartment</b>	
Refrigerator Door HC 2060	Right Hand ( not customer reversible)
Refrigerator Door HC 2061	Left Hand ( not customer reversible)
Interior light	LED Side and Top
Forced air fan system	Quiet DC fan
Bottle shelf	Integrated and Variable
Adjustable Glass Door shelves	4
Gallon storage door shelf	2
Glass Shelves Adjustable	3
<b>Freezer compartment</b>	
Interior light	LED
Icemaker	Connected water supply
Ice cube production in 24 hr.	1.3 kg / 3 lbs.
Ice cube storage capacity	2.7 kg / 6 lbs.
*Your Energy Costs will depend on your utility rates and use. Estimated energy cost based on a national average electricity cost of 12 cents per KWh.	

THIS IS A QUICK REFERENCE GUIDE FOR HC 2060 and HC 2061, FOR COMPLETE INSTRUCTIONS, PLEASE REFER TO THE DESIGN GUIDE OR VISIT <http://www.liebherr-appliances.com>

## Unit Dimensions - Figure 1



- A = 3" (76 mm)
- B = 79-13/16" (2027 mm)
- C = 35-13/16" (910 mm)
- D = 24" (610 mm)
- E = 61-1/4" (1556 mm)
- F = 37-1/8" (943 mm)

Figure 1

Overall height can be increased on HC 20 and HCS 20 units by 1-1/2" (40 mm) by adjusting the roller base.

### HC 2062

- A. 3" (76 mm)
- B. 79-13/16" (2027 mm)
- C. 35-13/16" (910 mm)
- D. 3" (76 mm)
- E. 24" (610 mm)
- G. 42-7/16" (1078 mm)
- H. 37-1/8" (943 mm)

Please allow for door swing clearance at locations next to a wall.

The illustrated measurement for HC 2062 is without mounted front panels. Be sure to add your panel thickness and handle depth to this measurement in order to avoid interferences.

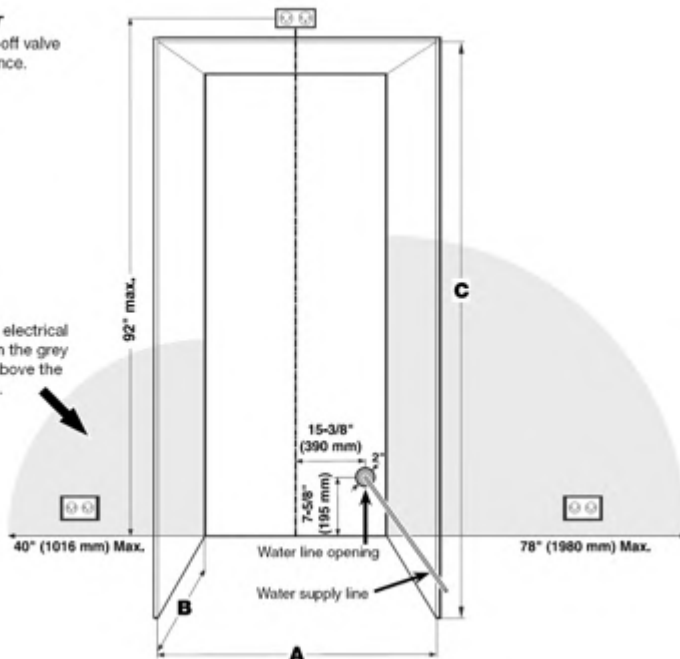
## Cabinet Opening Dimensions

	Cabinet Height C	Framed cabinet Depth B	Frameless cabinet Depth B
HC 2062	80"	24 3/4"	24"
	84"	24 3/4"	24"

A = 36" (914 mm)

**IMPORTANT**  
Do not install the shut-off valve behind the appliance.

The position of the electrical outlet can be within the grey shaded areas or above the appliance.



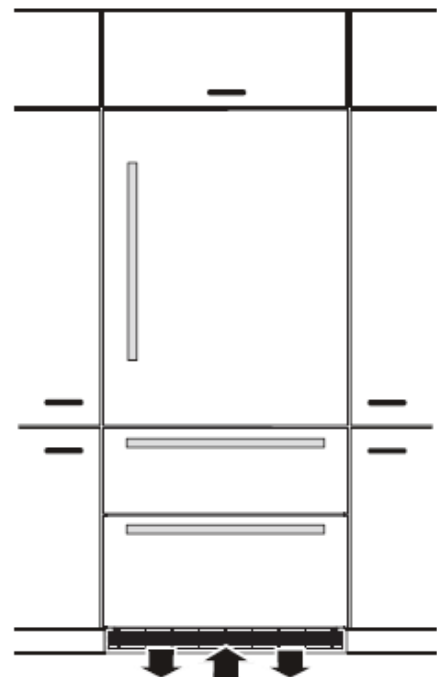
### IMPORTANT

The free length of the water supply line must be at least 31 - 1/2" (800 mm) when the tube comes out of the prescribed opening.

At 24" cabinets, the water line opening must be in the location as shown.

## Ventilation Requirements

HC 2060/2061 appliances do not require any ventilation openings in the cabinet. The required airflow is directed through the toe kick area.



It is important to use the provided cover grille for the ventilation opening. This opening must not be covered with a cabinet base.