

HC 1540/HC 1541

Premium Plus NoFrost

30" Fully Integrated Refrigerator Freezer

The **HC 1540 (right hand)** and **HC 1541 (left Hand)** fully-integrated 30" wide refrigerator-freezer offers the ultimate in design flexibility with the ability to completely hide the appliance behind your kitchen cabinetry.

In the interior, GlassLine shelving with aluminum trim offers plenty of storage space for all your food. On the inner door, a gallon holder and additional storage racks offer space for beverages and sauces. The spacious vegetable drawers as well as the double freezer drawers are illuminated by numerous LED lights, for beautiful soft lighting as soon as you open the door. Liebherr's internal tank automatic IceMaker that is located in the top freezer drawer completes the outstanding appliance.



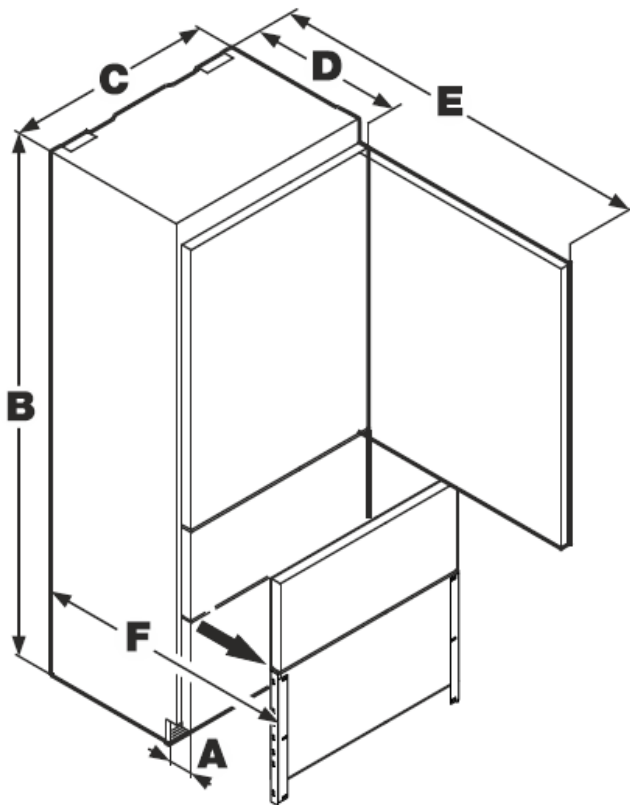
Digital Display



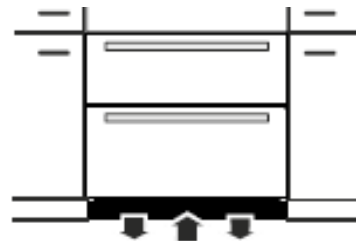
LED light column

Capacity	
Total	399 liters / 14.1 cu. ft.
Refrigerator Compartment	278 liters / 9.8cu. ft.
Freezer Compartment	122 liters / 4.3 cu. ft.
Energy Star	Yes
Energy consumption per year	507 KWH/Y
Estimated yearly Energy Cost	\$61 USD *
Climate rating	SN-T 10°C to 43°C(50°F to 110°F)
Power	115v at 60hz 2.5 amps / 300 watt
Shipping weight	147 kg /323 lbs.
Refrigerator Compartment	
Refrigerator Door HC 1540	Right Hand Not customer reversible
Refrigerator Door HC 1541	Left Hand Not customer reversible
Interior light	LED Side
Forced air fan system	Quiet DC fan
Bottle shelf	Plated
Variobox	Covered Clear Plastic Door Shelf
Adjustable Glass Door shelves	2
Gallon storage door shelf	1
Glass Shelves Adjustable	1
Crisper Drawers	2 Clear Plastic
Freezer compartment	
Interior light	LED
Icemaker	Internal Tank
Ice cube production in 24 hr.	1.3 kg / 3 lbs.
Ice cube storage capacity	2.7 kg / 6 lbs.
Your Energy Costs will depend on your utility rates and use. Estimated energy cost based on a national average electricity cost of 12 cents per KWh	

THIS IS A QUICK REFERENCE GUIDE FOR HC 1540 AND HC 1541, FOR COMPLETE INSTRUCTIONS, PLEASE REFER TO THE DESIGN GUIDE OR VISIT <http://www.liebherr-appliances.com>



HC 1540, HC 1541
 A 3" (76 mm)
 B 79-13/16" (2027 mm)
 C 29-7/8" (757 mm)
 D 24" (610 mm)
 E 55-1/4" (1403 mm)
 F 37-1/8" (943 mm)



It is important to use the provided cover grille for the ventilation opening. This opening must not be covered with a cabinet base.

**Panel Dimensions
Inset Installation Style
HC 1540, HC 1541
HCB 1560, HCB 1561**

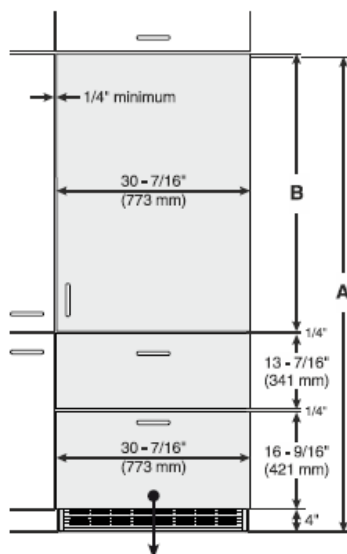
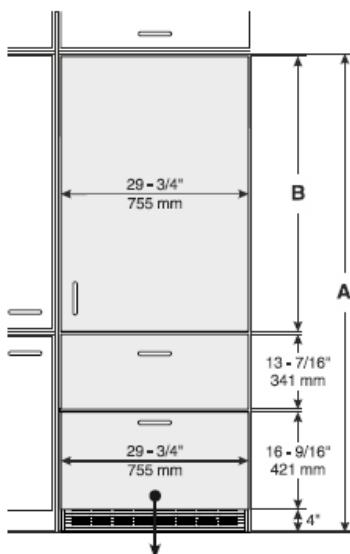
Minimum panel thickness is 5/8" (16 mm).
 Maximum panel thickness is 1-1/2" (38 mm).
 Maximum weight of the refrigerator panel is 60 lbs (27 kg).
 Maximum weight of each freezer panel is 26.5 lbs (12 kg).

**Panel Dimensions
Frameless Installation Style
HC 1540, HC 1541
HCB 1560, HCB 1561**

Minimum panel thickness is 5/8" (16 mm).
 Maximum panel thickness is 1-1/2" (38 mm).
 Maximum weight of the refrigerator panel is 60 lbs (27 kg).
 Maximum weight of each freezer panel is 26.5 lbs (12 kg).

Cabinet opening A	Refrigerator door panel B
80"	45-1/4" (1150 mm)
84"	49-1/4" (1251 mm)

Cabinet opening C	Refrigerator door panel D
80"	45-3/4" (1162 mm)
84"	49-3/4" (1264 mm)



The height of this panel can be reduced by up to 2" to accommodate higher toe kicks

