

LIEBHERR

Design Guide
Fully Integrated Models 30" and 36"

Liebherr's engineering excellence in Germany provides the largest selection of freezers, refrigerators and wine refrigerators worldwide.

Liebherr-appliances specializes in the manufacturing of high quality freezers and refrigerators. With more than 300 basic models, we have the widest selection in the world. Liebherr appliances feature premium quality, numerous innovative product ideas and advanced design. Liebherr freezers and refrigerators are manufactured at three modern production plants:

Liebherr Marica in Bulgaria, Liebherr-Hausgeräte Ochsenhausen GmbH in Germany and the Liebherr-Hausgeräte Lienz GmbH in Austria.

The appliances for the North American market are produced in Austria and in Germany.

Liebherr is committed to the protection of the environment and recognizes it as a critical priority. To guarantee an optimum and consistent implementation, all ecological aspects were observed and integrated into the quality control of Liebherr in compliance with DIN EN ISO 9001.

Liebherr's Commitment to the Environment

The components of Liebherr products can be recycled when the necessary resources are available. A concern for the environment and a desire to protect resources has led to increased levels of recycling year after year. When Liebherr manufactures products, it is essential that the recyclable recovery rate of the materials we use constantly increases.

Recycling is a common goal among all manufacturers, municipalities and recycling companies to protect our environment. Protecting the environment and producing products which have a low impact on the environment, is one of Liebherr's core values. When the time comes, please attempt to dispose of your old appliances in an environmentally safe and friendly manner.

Introduction

LIEBHERR WARRANTY PLAN

FULL TWO YEAR WARRANTY - For two years from the date of original purchase, your Liebherr Warranty covers all parts and labor to repair or replace any part of the product which proves to be defective in materials or workmanship.

FULL FIVE YEAR WARRANTY - For five years from the date of original purchase, your Liebherr Warranty covers all parts and labor to repair or replace any components that prove to be defective in materials or workmanship in the sealed system. The "Sealed System" means only the compressor, condenser, evaporator, drier and all connecting tubing.

LIMITED 6TH THROUGH 12TH YEAR WARRANTY - From the 6th through 12th year from the date of original purchase, your Liebherr Warranty covers all parts that prove to be defective in materials or workmanship in the sealed system (parts only).

For Service and Parts in the U.S.:

Liebherr Service Center

15545 N. 77th Street
Scottsdale, AZ 85260

Phone: (480) 998-0141
Fax: (480) 998-7877
Toll Free: **1-866-LIEBHER** or
1-866-543-2437

www.liebherr.us/HG

For Service and Parts in Canada:

Euro-Parts Canada

39822 Belgrave Road,
Belgrave, Ontario, N0G 1E0

Phone: (519) 357-3320
Fax: (519) 357-1326
Toll Free: **1-888-LIEBHER** or
1-888-543-2437

www.euro-parts.ca

Contents

General Remarks

Safety Warnings	I
Electrical Requirements & Safety	II
IceMaker (if equipped)	III
Area Requirements	IV
Safety Regulations	V

Fully Integrated Models

30" Models: HC 1540, HC 1541	1
30" Models: HCB 1560, HCB 1561	2
36" Models: HC 2060, HC 2061	3
36" Models: HCB 2060, HCB 2061	4
36" Models: HC 2062, HCB 2062	5
Unit Dimensions	6
Front Clearance	7
Ventilation Requirements	8
Cabinet Opening Dimensions HC 1540, HC 1541, HCB 1560, HCB 1561	9
Cabinet Opening Dimensions HC 2060, HCB 2060, HC 2061, HCB 2061, HC 2060, HCB 2062	10
Installation Styles	11
Panel Dimensions - Inset Installation Style HC 1540, HC 1541, HCB 1560, HCB 1561	12
Panel Dimensions - Frameless Installation Style HC 1540, HC 1541, HCB 1560, HCB 1561	12
Panel Dimensions - Inset Installation Style HC 2060, HC 2061, HCB 2060, HCB 2061	13
Panel Dimensions - Frameless Installation Style HC 2060, HC 2061, HCB 2060, HCB 2061	13
Panel Dimensions - Inset Installation Style HC 2062, HCB 2062	14
Panel Dimensions - Frameless Installation Style HC 2062, HCB 2062	14
Door Swing Clearance - Inset installation style	
HC 1540, HC 1541, HCB 1560 HCB 1561, HC 2060, HC 2061, HCB 2060, HCB 2061	15
Door Swing Clearance - Frameless installation style	
HC 1540/1541, HCB 1560/1561, HC 2060/2061, HCB 2060/2061	16
Door Swing Clearance - Inset installation style HC 2062, HCB 2062 - Front panel 5/8"	17
Door Swing Clearance - Inset installation style HC 2062, HCB 2062 - Front panel 3/4"	18
Door Swing Clearance - Frameless installation style HC 2062, HCB 2062 - Front panel 5/8"	19
Door Swing Clearance - Frameless installation style HC 2062, HCB 2062 - Front panel 3/4"	20
Accessories for Liebherr Fully Integrated Appliances	21 - 25

General Remarks

I. Safety Warnings

PLEASE READ AND FOLLOW THESE INSTRUCTIONS

This design guide contains Warning and Caution statements. This information is important for planning a safe and efficient installation. Please refer to the Installation Manual specific to your model for complete installation instructions.

This design guide is intended for planning purposes and is not a replacement for your appliance's Use and Care Manual which contains important information on how to use Liebherr appliances.

Always read and follow all Warning and Caution statements!

WARNING!

Warning indicates a potentially hazardous situation which, if not avoided, could result in death or serious injury.

CAUTION!

Caution indicates a potentially hazardous situation which, if not avoided, may result in minor or moderate injury.

IMPORTANT

This highlights information that is especially relevant to a problem-free installation and operation.

Make sure incoming voltage is the same as the unit rating.

To reduce the risk of fire, electric shock, or personal injury, the installation work and electrical wiring must be done by a qualified electrician in accordance with all applicable codes and standards, including fire rated construction.

To the Installer

It is very important that the guidelines and instructions are followed in this design guide to ensure proper installation and operation of the unit. The Installation Guidelines section contains important information for making sure the installation is correct. Read and understand all the information and installation guidelines in this manual before the unit is installed.

It is also very important to **know** the Safety Information.

General Remarks

II. Electrical Requirements & Safety

A 115 Volt, 60 Hz, 10 Amp (15 Amp for side-by-side installation) fused electrical supply is required. We recommend using a dedicated circuit for these appliances to prevent electrical overload. Comply with the National Electrical Code as well as local codes and ordinances when installing the receptacle.


WARNING!

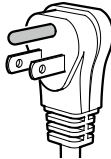
Do not ground to a gas pipe. Check with a qualified electrician if you are not sure the appliance is properly grounded. Do not have a fuse in the neutral or grounding circuit.

CAUTION!

ELECTROCUTION HAZARD

Electrical Grounding Required. This appliance is equipped with a three-prong(grounding) polarized plug for your protection against possible shock hazards.

- **Do not remove the round grounding prong from the plug.** 
- **Do not use a two-prong grounding adapter.**
- **Do not use an extension cord to connect power to the unit.**
- **Do not use a power cord that is frayed or damaged.**



III. IceMaker (if equipped)

The icemaker is located in the freezer compartment. It must be connected to the water supply to function properly. The appliance must be level for the icemaker to function properly.

The water supply pressure requirements are different based on whether or not the supplied Liebherr water filter is installed. With the filter installed, the pressure must be in the range of 40-90 psi (2.8-6.2 bar). Without the filter installed the acceptable pressure range is 22-87 psi (1.5-6 bar).

Use a 1/4" OD copper line to connect the water supply to the solenoid valve. This is not supplied with the appliance. If you have hard water, we recommend you install a water softener. Also, a filter must be installed if the water contains solids such as sand. All equipment and devices used to supply the water to the appliance must comply with the current regulations for your geographical area.

Safety Instructions and Warnings

- Do not attach the water source while the appliance is connected to an electrical outlet.
- A shut-off valve, must be installed between the hose line and the main water supply so that the water supply can be stopped if necessary. Do not install the shut-off valve behind the refrigeration unit.
- The connection to the water supply may only be made by a trained and licensed plumber.
- The water quality must comply with the drinking water regulations for the geographical area where the appliance is located.
- The icemaker is designed exclusively to make ice cubes in quantities needed by a household and may only be operated with water appropriate for this purpose.
- All repairs and work on the icemaker may only be done by customer service personnel or other trained personnel.
- The manufacturer cannot accept liability for damage caused by equipment or water lines between the solenoid valve and the water supply.

General Remarks

IV. Area Requirements

Verify the following:

- Floors can support refrigerator's weight plus approximately 1200 pounds (544 kg) of food weight. Not all Liebherr products are designed for 1200 pounds (544 kg) of food. Some units are smaller and total weights may vary.
- Finished kitchen floor height is level. Refrigerator must be shimmed to the floor level, or levelled, to make sure, air vents are not obstructed.
- Remove anything attached to the rear or side walls that can obstruct refrigerator opening.
- Cutout dimensions are accurate.
- Electrical outlet is in correct location.

Do not install this unit next to any other refrigerator or freezer except another Liebherr model. Liebherr models are designed to allow side by side installation. They are equipped with a heating system to eliminate condensation when units are installed side by side. Installing this unit next to any other refrigerator or freezer can cause condensation or cause damage to the Liebherr unit.



CAUTION!

To protect the refrigerator from possible damage, allow the appliance to stand 1 hour in place before turning the electricity on. This allows the refrigerant and system lubrication to reach equilibrium.

Blocking For Safety

The anti-tip bracket must be installed to prevent the unit from tipping after it is installed. Refer to chapter "Blocking For Safety" in the installation instructions.

V. Safety Regulations

The appliances comply with UL250 and CAN/CSA-C 22.2 No. 63 and are designed to cool, freeze, store food as well as make ice (if equipped). They are designed for household use.

These appliances are set to operate within specific ambient temperature limits according to their climate rating. These temperature limits should not be exceeded. The correct climate rating for your specific model is indicated on the model plate. (See Use & Care Manual.)

This is explained as follows:

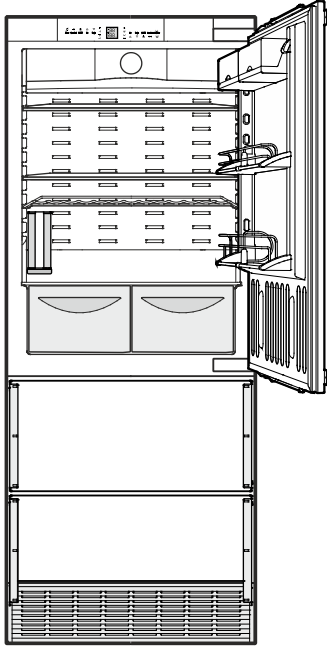
Climate Rating	Set for Ambient Temperatures of
SN	50°F to 90°F (10°C to 32°C)
N	61°F to 90°F (16°C to 32°C)
ST	61°F to 100°F (16°C to 38°C)
T	61°F to 109°F (16°C to 43°C)
SN-ST	50°F to 100°F (10°C to 38°C)
SN-T	50°F to 109°F (10°C to 43°C)

- The refrigerant circuit has been tested for leaks.

Fully Integrated

30" Models: HC 1540, HC 1541

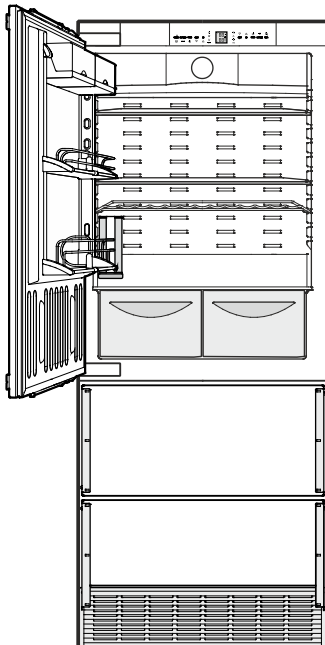
Integrated units are the most stylish option available - they create a totally flush appearance with the surrounding cabinets in the kitchen.



HC 1540 (right hinged)

Energy Star:	qualified
Energy consumption p. a.:	427 kWh
Energy Supply:	115V / 60Hz / 1.9A
Total capacity:	14.1 cu ft (400 L)
Refrigerator:	9.8 cu ft (278 L)
Freezer:	4.3 cu ft (122 L)
Ice cube output:	2.2 lbs/24h
Ice cube stock:	6 lbs
Climate Rating:	SN-T

- Automatic refrigerator defrosting
- Automatic freezer compartment defrosting
- Automatic IceMaker can be switched off
- Maximum door opening angle is 115°
- LED ceiling and freezer lighting



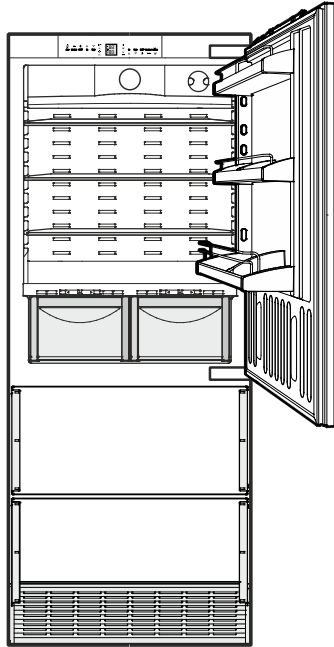
HC 1541 (left hinged)

Energy Star:	qualified
Energy consumption p. a.:	427 kWh
Energy Supply:	115V / 60Hz / 1.9A
Total capacity:	14.1 cu ft (400 L)
Refrigerator:	9.8 cu ft (278 L)
Freezer:	4.3 cu ft (122 L)
Ice cube output:	2.2 lbs/24h
Ice cube stock:	6 lbs
Climate Rating:	SN-T

- Automatic refrigerator defrosting
- Automatic freezer compartment defrosting
- Automatic IceMaker can be switched off
- Maximum door opening angle is 115°
- LED ceiling and freezer lighting

Fully Integrated

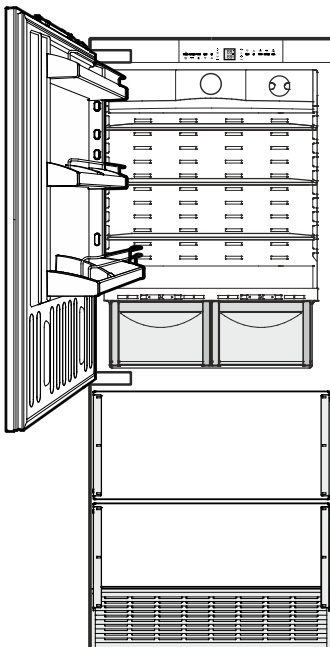
30" Models: HCB 1560, HCB 1561



HCB 1560 (right hinged)

Energy Star:	qualified
Energy consumption p. a.:	427 kWh
Energy Supply:	115V / 60Hz / 1.9A
Total capacity:	14.1 cu ft (400 L)
Refrigerator:	9.8 cu ft (278 L)
Freezer:	4.3 cu ft (122 L)
Ice cube output:	2.2 lbs/24h
Ice cube stock:	6 lbs
Climate Rating:	SN-T

- Automatic refrigerator defrosting
- Automatic freezer compartment defrosting
- Automatic IceMaker can be switched off
- Maximum door opening angle is 115°
- LED light column and LED freezer lighting
- BioFresh drawers with adjustable humidity



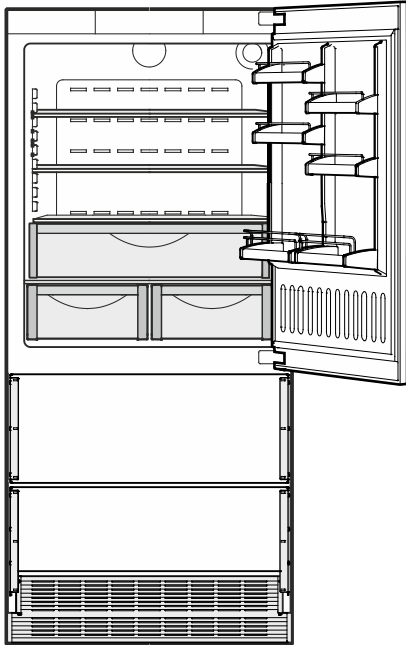
HCB 1561 (left hinged)

Energy Star:	qualified
Energy consumption p. a.:	427 kWh
Energy Supply:	115V / 60Hz / 1.9A
Total capacity:	14.1 cu ft (400 L)
Refrigerator:	9.8 cu ft (278 L)
Freezer:	4.3 cu ft (122 L)
Ice cube output:	2.2 lbs/24h
Ice cube stock:	6 lbs
Climate Rating:	SN-T

- Automatic refrigerator defrosting
- Automatic freezer compartment defrosting
- Automatic IceMaker can be switched off
- Maximum door opening angle is 115°
- LED light column and LED freezer lighting
- BioFresh drawers with adjustable humidity

Fully Integrated

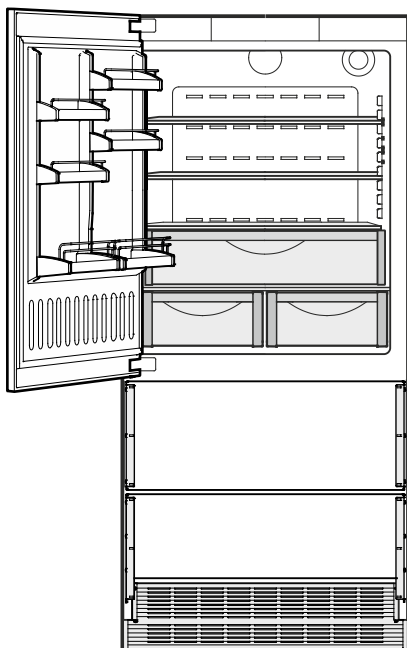
36" Models: HC 2060, HC 2061



HC 2060 (right hinged)

Energy Star:	qualified
Energy consumption p. a.:	452 kWh
Energy Supply:	115V / 60Hz / 2.5A
Total capacity:	19.5 cu ft (552 L)
Refrigerator:	13.5 cu ft (382 L)
Freezer:	6 cu ft (170 L)
Ice cube output:	3 lbs/24h
Ice cube stock:	6 lbs
Climate Rating:	SN-T

- Automatic refrigerator defrosting
- Automatic freezer compartment defrosting
- Automatic IceMaker can be switched off
- Maximum door opening angle is 115°
- LED light column and LED freezer lighting



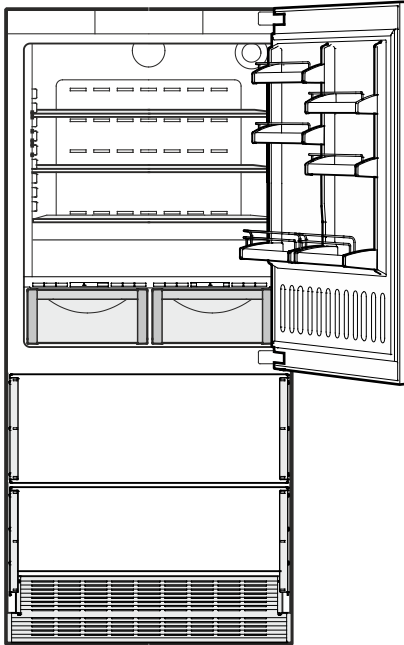
HC 2061 (left hinged)

Energy Star:	qualified
Energy consumption p. a.:	452 kWh
Energy Supply:	115V / 60Hz / 2.5A
Total capacity:	19.5 cu ft (552 L)
Refrigerator:	13.5 cu ft (382 L)
Freezer:	6 cu ft (170 L)
Ice cube output:	3 lbs/24h
Ice cube stock:	6 lbs
Climate Rating:	SN-T

- Automatic refrigerator defrosting
- Automatic freezer compartment defrosting
- Automatic IceMaker can be switched off
- Maximum door opening angle is 115°
- LED light column and LED freezer lighting

Fully Integrated

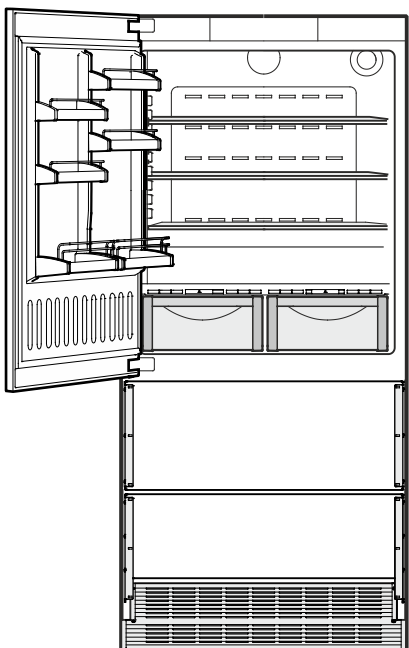
36" Models: HCB 2060, HCB 2061



HCB 2060 (right hinged)

Energy Star:	qualified
Energy consumption p. a.:	450 kWh
Energy Supply:	115V / 60Hz / 2.5A
Total capacity:	18.9 cu ft (535 L)
Refrigerator:	12.9 cu ft (365 L)
Freezer:	6 cu ft (170 L)
Ice cube output:	3 lbs/24h
Ice cube stock:	6 lbs
Climate Rating:	SN-T

- Automatic refrigerator defrosting
- Automatic freezer compartment defrosting
- Automatic IceMaker can be switched off
- Maximum door opening angle is 105°
- LED light column and LED freezer lighting
- BioFresh drawers with adjustable humidity



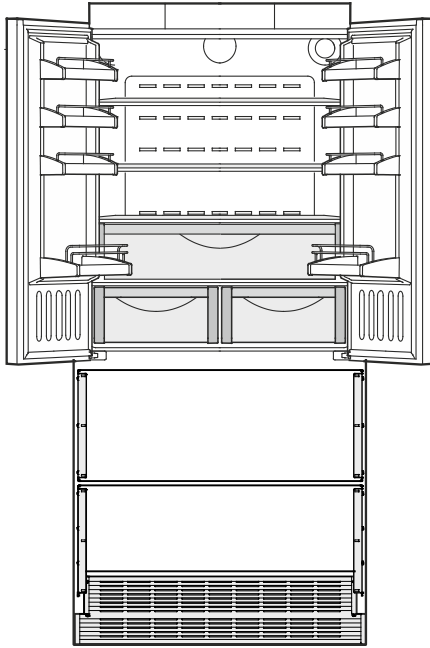
HCB 2061 (left hinged)

Energy Star:	qualified
Energy consumption p. a.:	450 kWh
Energy Supply:	115V / 60Hz / 2.5A
Total capacity:	18.9 cu ft (535 L)
Refrigerator:	12.9 cu ft (365 L)
Freezer:	6 cu ft (170 L)
Ice cube output:	3 lbs/24h
Ice cube stock:	6 lbs
Climate Rating:	SN-T

- Automatic refrigerator defrosting
- Automatic freezer compartment defrosting
- Automatic IceMaker can be switched off
- Maximum door opening angle is 105°
- LED light column and LED freezer lighting
- BioFresh drawers with adjustable humidity

Fully Integrated

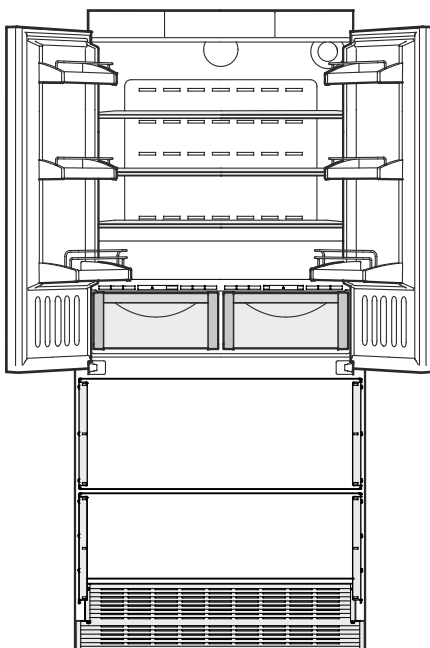
36" Models: HC 2062, HCB 2062



HC 2062

Energy Star:	qualified
Energy consumption p. a.:	452 kWh
Energy Supply:	115V / 60Hz / 2.5A
Total capacity:	19.5 cu ft (552 L)
Refrigerator:	13.5 cu ft (382 L)
Freezer:	6 cu ft (170 L)
Ice cube capacity:	3 lbs/24h
Ice cube stock:	6 lbs
Climate Rating:	SN-T

- Automatic refrigerator defrosting
- Automatic freezer compartment defrosting
- Automatic IceMaker can be switched off
- Maximum door opening angle is 105°
- LED light column and LED freezer lighting



HCB 2062

Energy Star:	qualified
Energy consumption p. a.:	450 kWh
Energy Supply:	115V / 60Hz / 2.5A
Total capacity:	18.9 cu ft (535 L)
Refrigerator:	12.9 cu ft (365 L)
Freezer:	6 cu ft (170 L)
Ice cube output:	3 lbs/24h
Ice cube stock:	6 lbs
Climate Rating:	SN-T

- Automatic refrigerator defrosting
- Automatic freezer compartment defrosting
- Automatic IceMaker can be switched off
- Maximum door opening angle is 105°
- LED light column and LED freezer lighting
- BioFresh drawers with adjustable humidity

Fully Integrated

Unit Dimensions

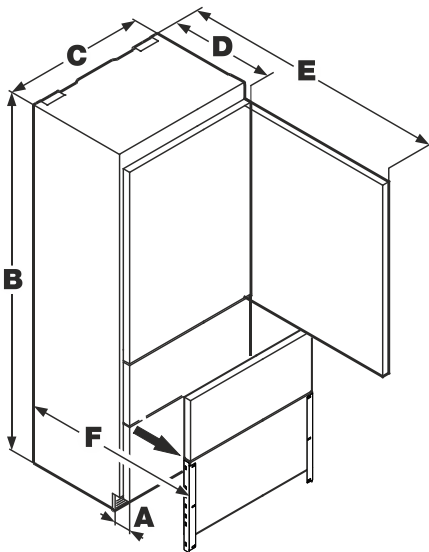
Overall height can be increased on HC/HCB 15 and HC/HCB 20 units by 1-1/2" (40 mm) by adjusting the roller base.

Please allow for door swing clearance at locations next to a wall.

The illustrated measurement is without mounted front panels. Be sure to add your panel thickness and handle depth to this measurement in order to avoid interferences.

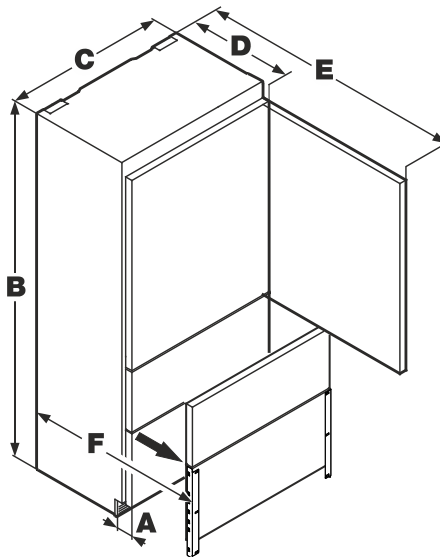
HC 1540, HC 1541 HCB 1560, HCB 1561

- A** 3" (76 mm)
- B** 79-13/16" (2027 mm)
- C** 29-7/8" (757 mm)
- D** 24" (610 mm)
- E** 55-1/4" (1403 mm)
- F** 37-1/8" (943 mm)



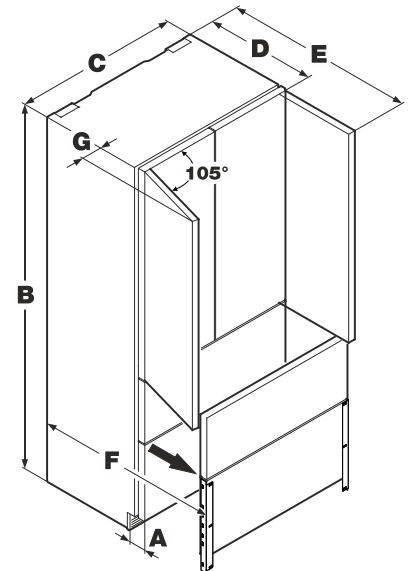
HC 2060, HC 2061 HCB 2060, HCB 2061

- A** 3" (76 mm)
- B** 79-13/16" (2027 mm)
- C** 35-13/16" (910 mm)
- D** 24" (610 mm)
- E** 61-1/4" (1556 mm)
- F** 37-1/8" (943 mm)

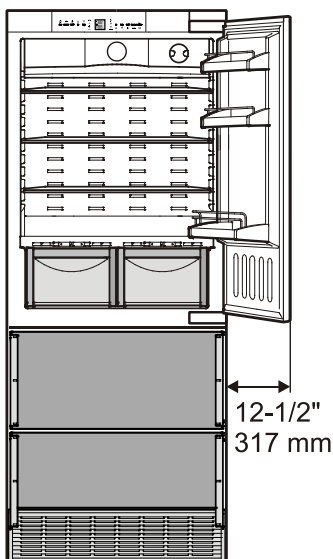


HC 2062, HCB 2062

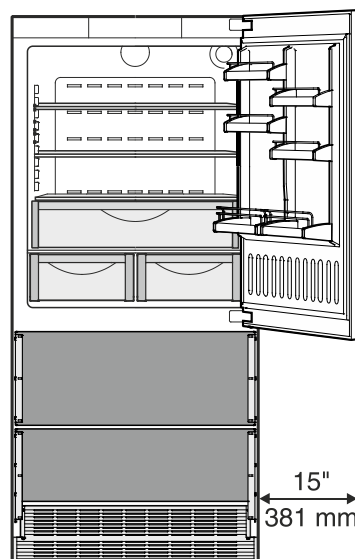
- A** 3" (76 mm)
- B** 79-13/16" (2027 mm)
- C** 35-13/16" (910 mm)
- D** 24" (610 mm)
- E** 42-7/16" (1078 mm)
- F** 37-1/8" (943 mm)
- G** 3" (76 mm)



HC 1540, HC 1541 HCB 1560, HCB 1561



HC 2060, HC 2061 HCB 2060, HCB 2061

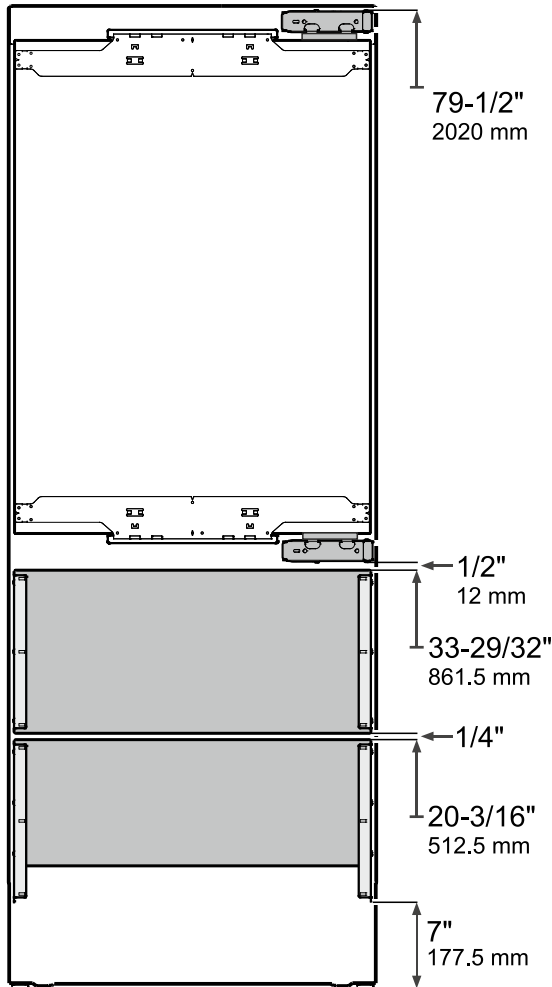


Fully Integrated

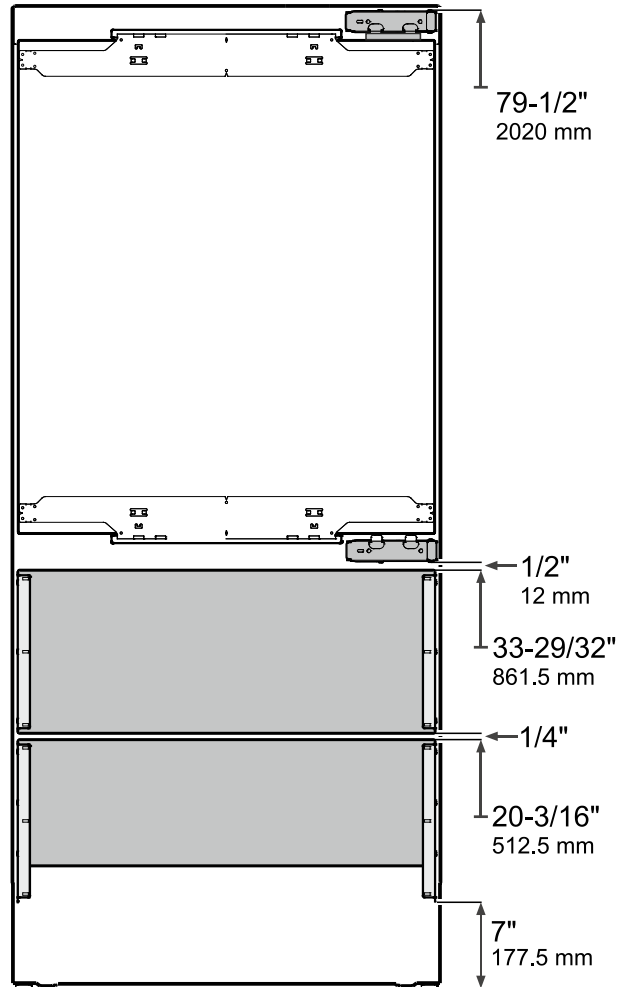
Front Clearance

↑ This type of dimension line indicates the height measured from the floor.

HC 1540, HC 1541
HC 1560, HC 1561



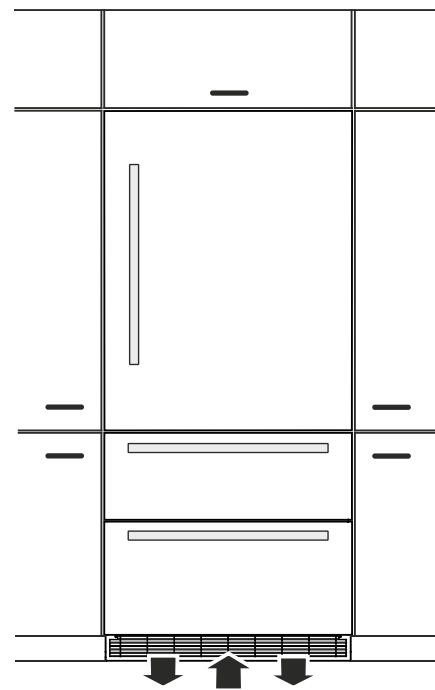
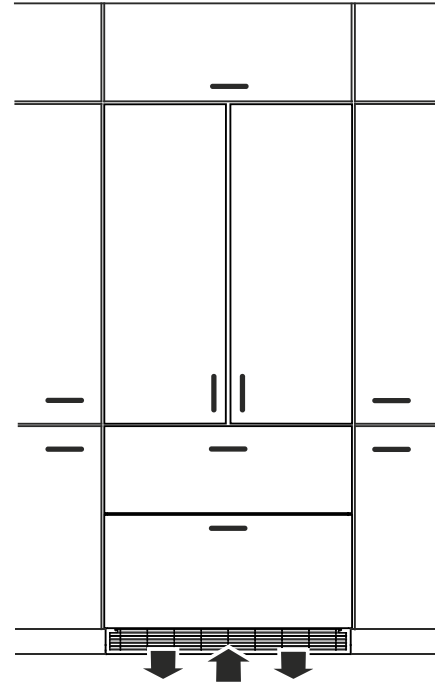
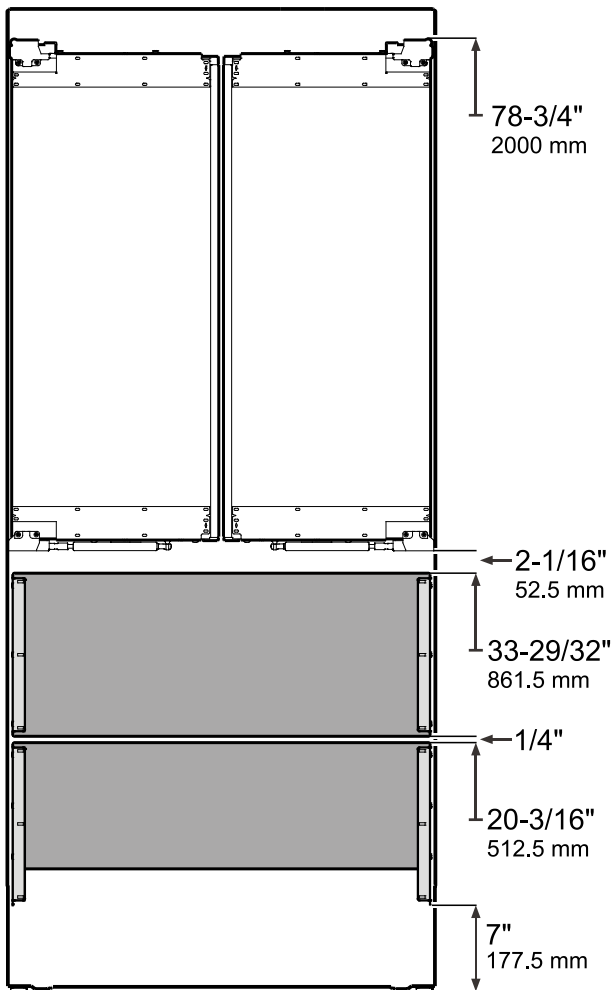
HC 2060, HC 2061
HCB 2060, HCB 2061



Ventilation Requirements

HC and HCB appliances do not require ventilation considerations in the cabinetry. The required airflow is directed through the toe kick area.

HC 2062
HCB 2062



It is important to use the provided cover grille for the ventilation opening. This opening must not be covered with a cabinet base.

Fully Integrated

Cabinet Opening Dimensions HC 1540, HC 1541, HCB 1560, HCB 1561

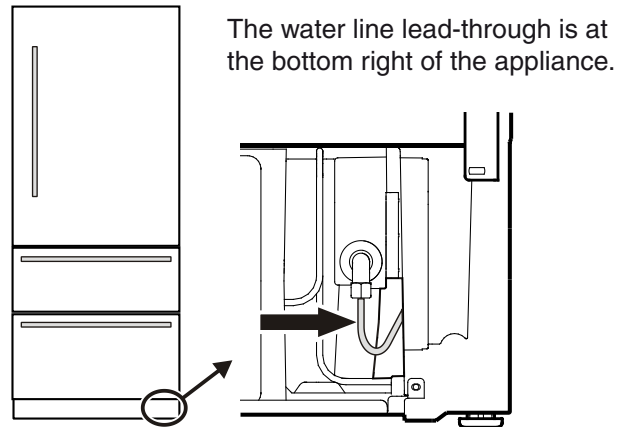
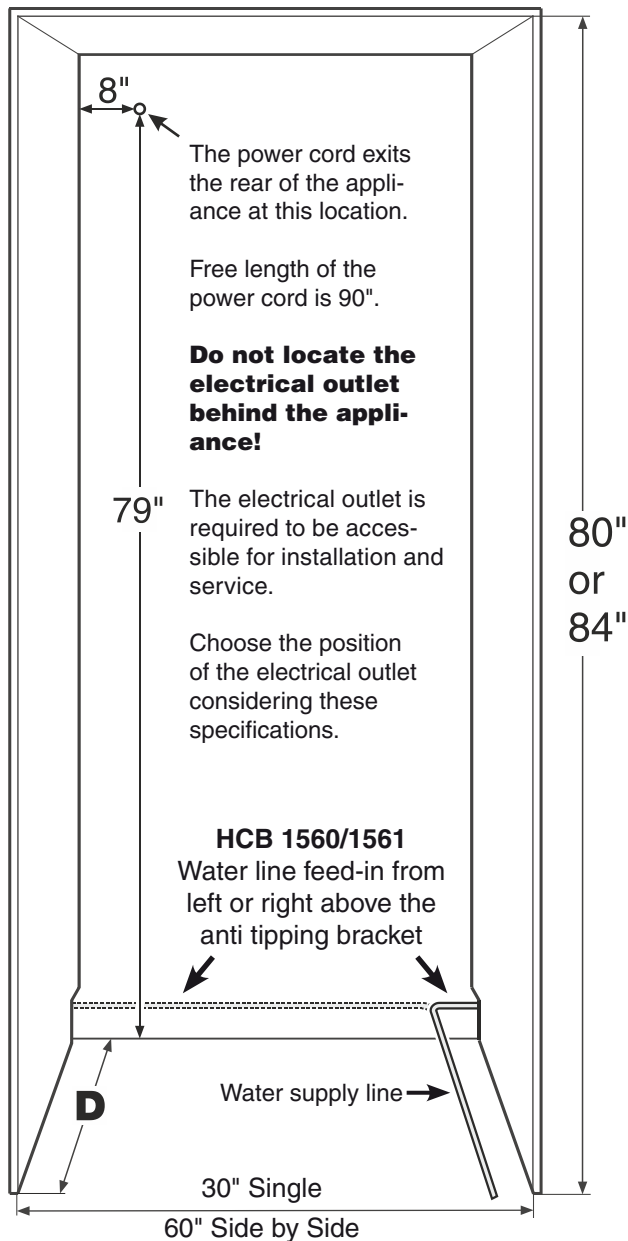
Inset cabinet Depth D	Frameless cabinet Depth D
24" + panel thickness	24"

IMPORTANT

Factory available stainless steel panels are designed for an inset installation only and require a cabinet / gable depth of 24 - 3/4".

Concerning the refrigerator compartment there is the option to choose between stainless steel panels for a 80" or a 84" installation situation.

When using your own custom overlay panels, only the 80" opening minimum would apply. Opening height can be taller than the 80" minimum by any amount but be sure to adjust panel height accordingly.



Use a 1/4" OD copper line to connect the water supply to the solenoid valve.

IMPORTANT

Do not install the shut-off valve for the water line behind the appliance.

Fully Integrated

Cabinet Opening Dimensions HC/HCB 2060, HC/HCB 2061, HC 2062, HCB 2062

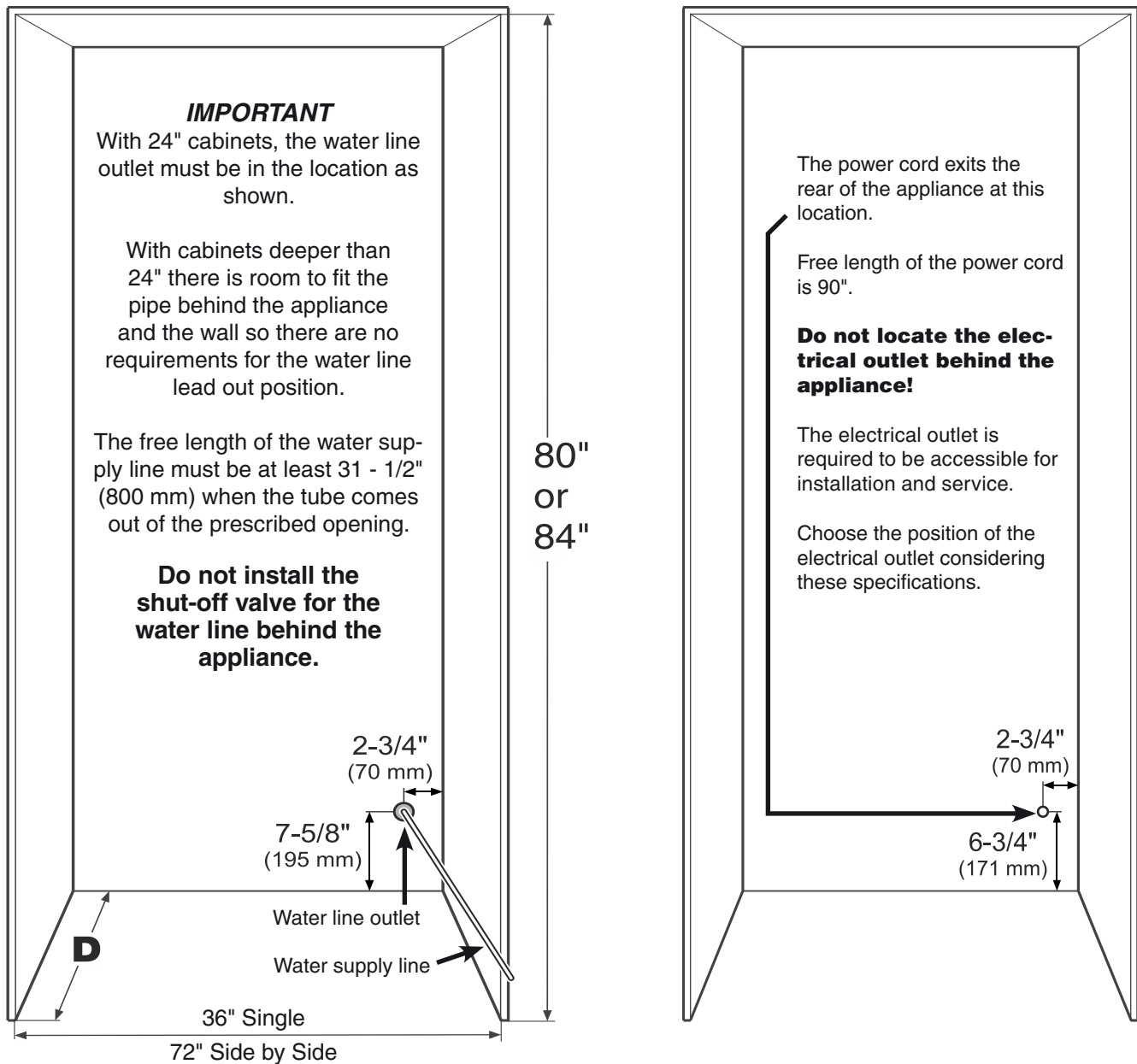
Inset cabinet Depth D	Frameless cabinet Depth D
24" + panel thickness	24"

IMPORTANT

Factory available stainless steel panels are designed for an inset installation only and require a cabinet / gable depth of 24 - 3/4".

Concerning the refrigerator compartment there is the option to choose between stainless steel panels for a 80" or a 84" installation situation.

When using your own custom overlay panels, only the 80" opening minimum would apply. Opening height can be taller than the 80" minimum by any amount but be sure to adjust panel height accordingly.



Use a 1/4" OD copper line to connect the water supply to the solenoid valve.

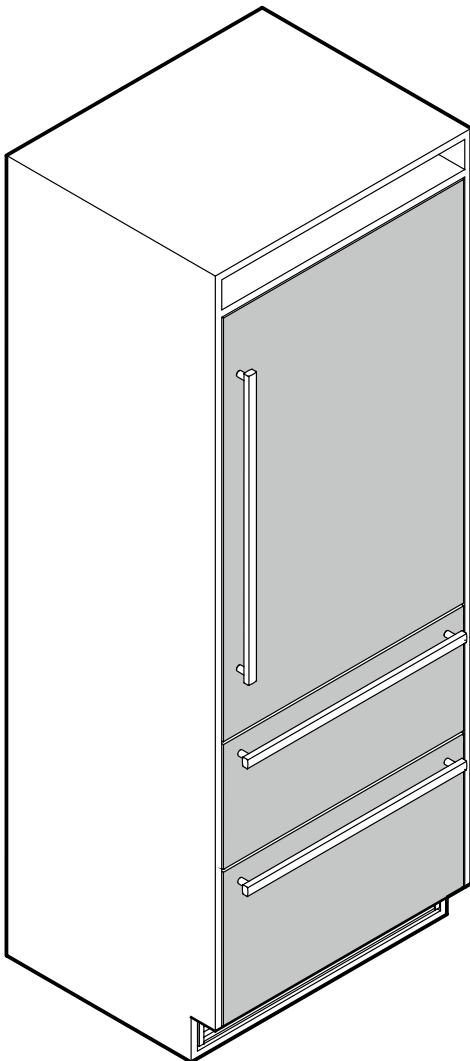
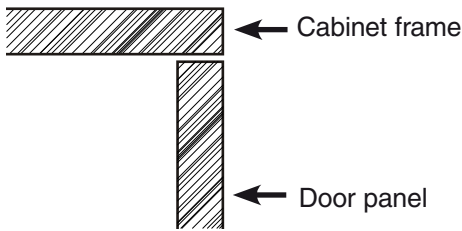
Fully Integrated

Installation Styles

Definition of Inset Installation Style

Appliance and panels sit fully within the opening and are flush with what could be its own box, between two pantry cabinets or decorative columns, etc. This is the most common installation scenario.

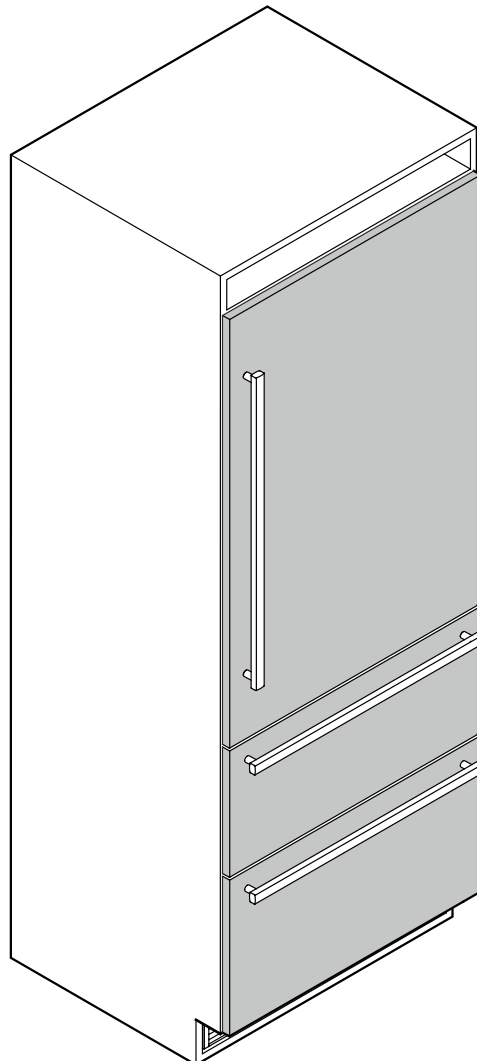
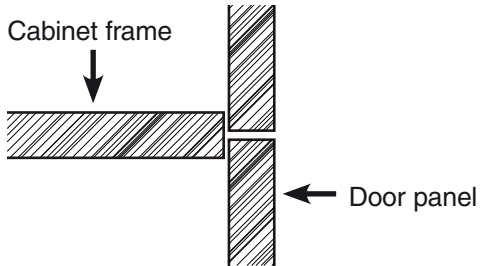
Side view of cabinet (sectional view)



Definition of Frameless Installation Style

With this installation style, these wider appliance panels partially overlay the shared side gables of adjacent cabinetry so as to mimic the look of a frameless style cabinet.

Side view of cabinet (sectional view)



Fully Integrated

Panel Dimensions Inset Installation Style HC 1540, HC 1541 HCB 1560, HCB 1561

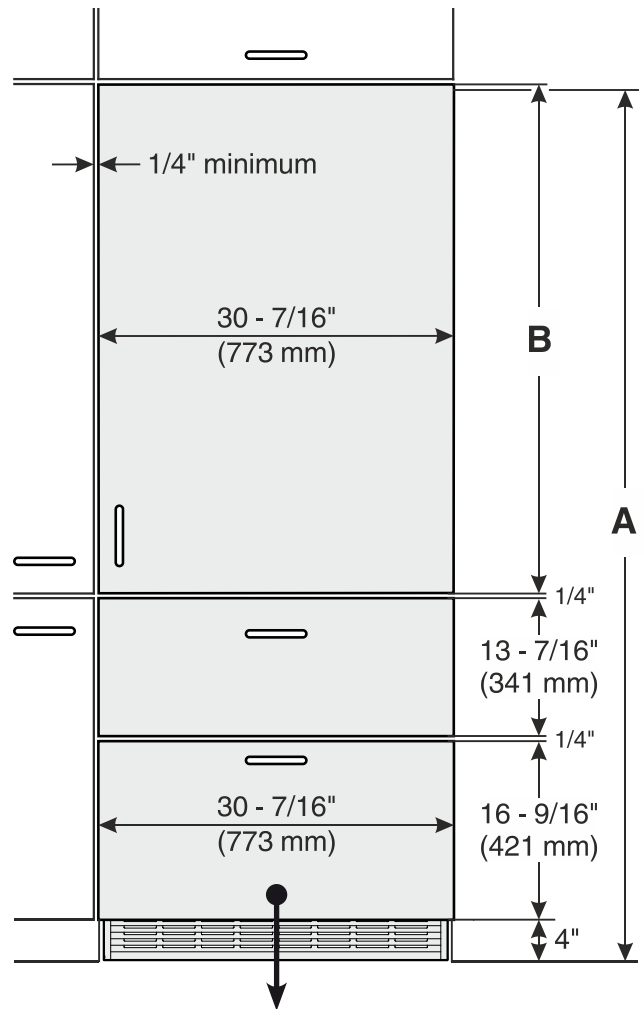
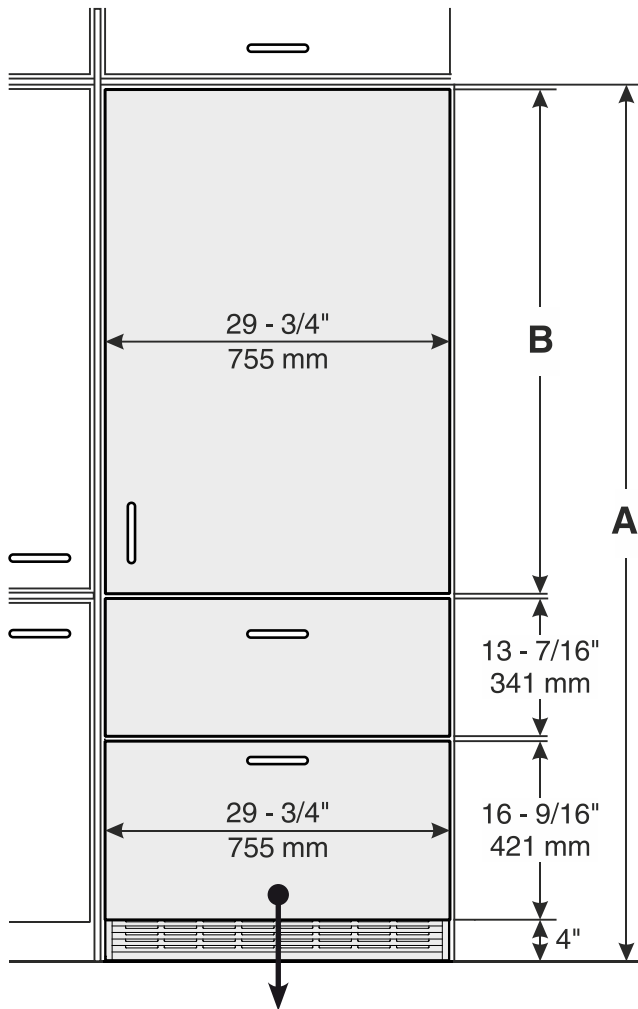
Minimum panel thickness is **5/8"** (16 mm).
 Maximum panel thickness is **1-1/2"** (38 mm).
 Maximum weight of the refrigerator panel is **60 lbs** (27 kg).
 Maximum weight of each freezer panel is **26.5 lbs** (12 kg).

Panel Dimensions Frameless Installation Style HC 1540, HC 1541 HCB 1560, HCB 1561

Minimum panel thickness is **5/8"** (16 mm).
 Maximum panel thickness is **1-1/2"** (38 mm).
 Maximum weight of the refrigerator panel is **60 lbs** (27 kg).
 Maximum weight of each freezer panel is **26.5 lbs** (12 kg).

Cabinet opening A	Refrigerator door panel B
80"	45-1/4" (1150 mm)
84"	49-1/4" (1251 mm)

Cabinet opening C	Refrigerator door panel D
80"	45-3/4" (1162 mm)
84"	49-3/4" (1264 mm)



The height of this panel can be reduced by up to 2" to accommodate higher toe kicks

Fully Integrated

Panel Dimensions Inset Installation Style HC 2060, HC 2061 HCB 2060, HCB 2061

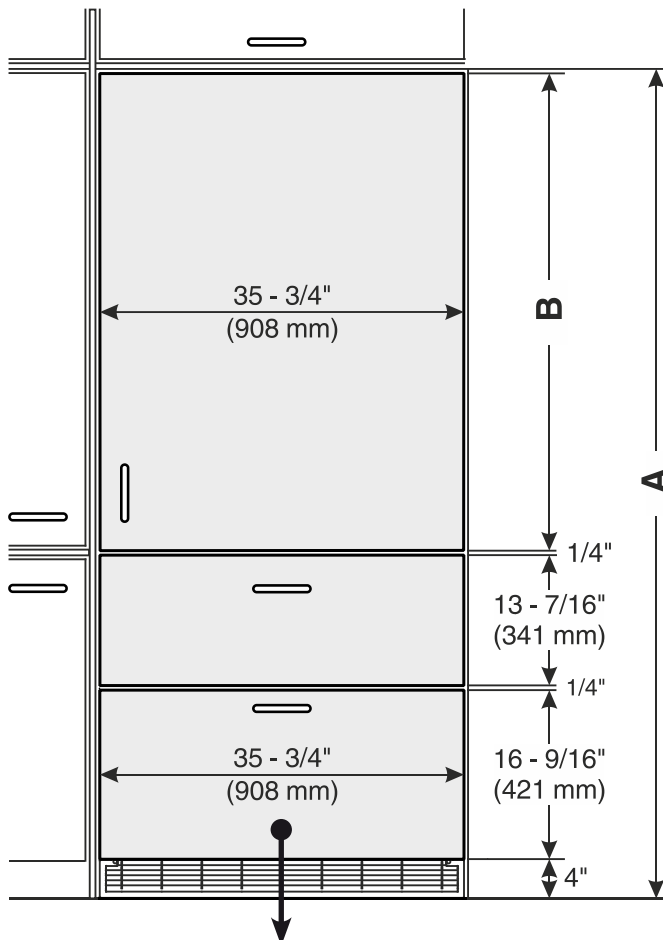
Minimum panel thickness **5/8"** (16 mm).

Maximum panel thickness is **1-1/2"** (38 mm).

Maximum weight of the refrigerator panel is **60 lbs** (27 kg).

Maximum weight of each freezer panel is **26.5 lbs** (12 kg).

Cabinet opening A	Refrigerator door panel B
80"	45-1/4" (1150 mm)
84"	49-1/4" (1251 mm)



Panel Dimensions Frameless Installation Style HC 2060, HC 2061 HCB 2060, HCB 2061

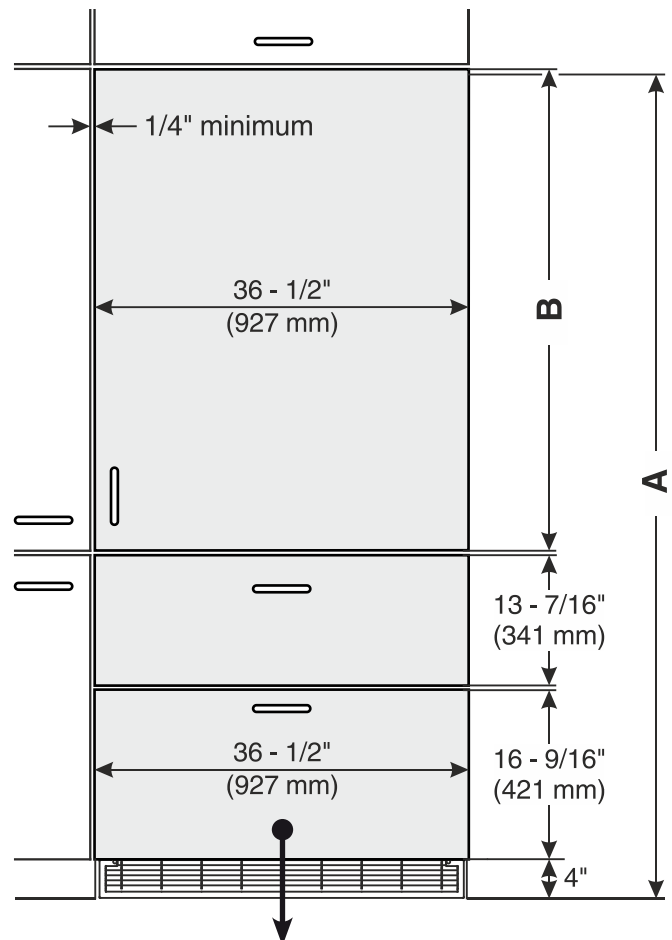
Minimum panel thickness **5/8"** (16 mm).

Maximum panel thickness is **1-1/2"** (38 mm).

Maximum weight of the refrigerator panel is **60 lbs** (27 kg).

Maximum weight of each freezer panel is **26.5 lbs** (12 kg).

Cabinet opening A	Refrigerator door panel B
80"	45-3/4" (1162 mm)
84"	49-3/4" (1264 mm)



The height of this panel cannot be reduced for taller toe kicks as it will reveal structural elements of the appliance. Instead, install appliance on a platform and adjust the opening height to accommodate.

Fully Integrated

Panel Dimensions Inset Installation Style HC 2062, HCB 2062

Minimum panel thickness is **5/8"** (16 mm).
 Maximum panel thickness is **3/4"** (19 mm).
 Maximum weight for each panel is **26.5 lbs** (12 kg).

Panel Dimensions Frameless Installation Style HC 2062, HCB 2062

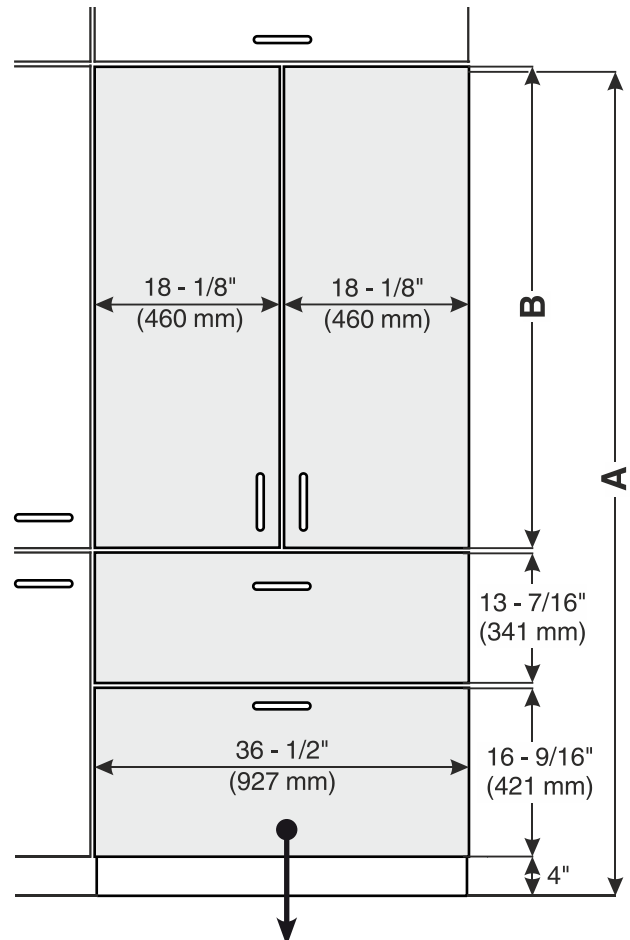
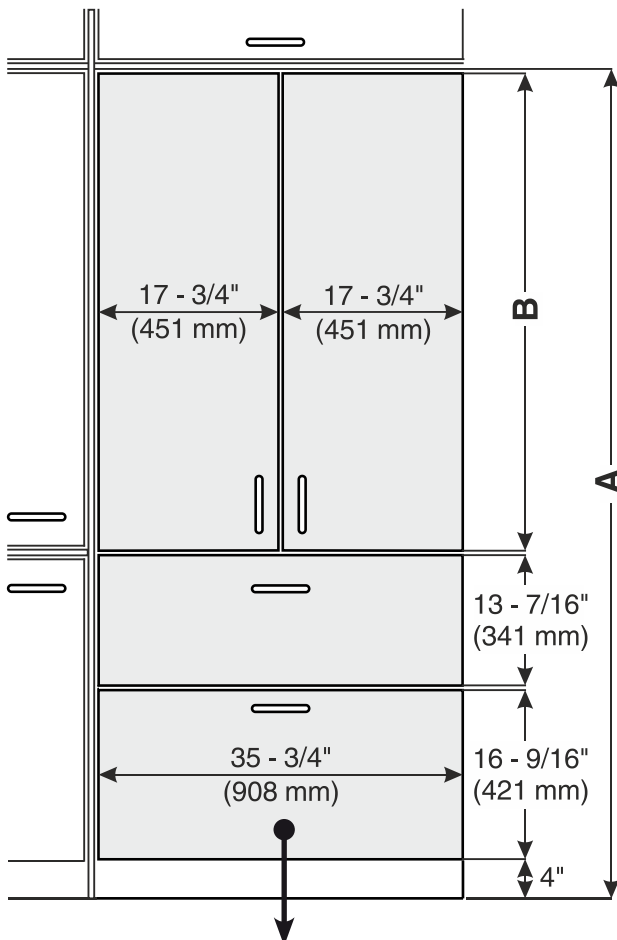
Minimum panel thickness is **5/8"** (16 mm).
 Maximum panel thickness is **3/4"** (19 mm).
 Maximum weight for each panel is **26.5 lbs** (12 kg).

IMPORTANT

Risk of interference with the adjacent panels!
Do not use wider panels as given in the illustration below!

Cabinet Opening A	Refrigerator door panel B
80"	45 - 1/4" (1150 mm)
84"	49 - 1/4" (1251 mm)

Cabinet Opening A	Refrigerator door panel B
80"	45 - 3/4" (1162 mm)
84"	49 - 3/4" (1264 mm)



The height of this panel cannot be reduced for taller toe kicks as it will reveal structural elements of the appliance. Instead, install appliance on a platform and adjust the opening height to accommodate.

Fully Integrated

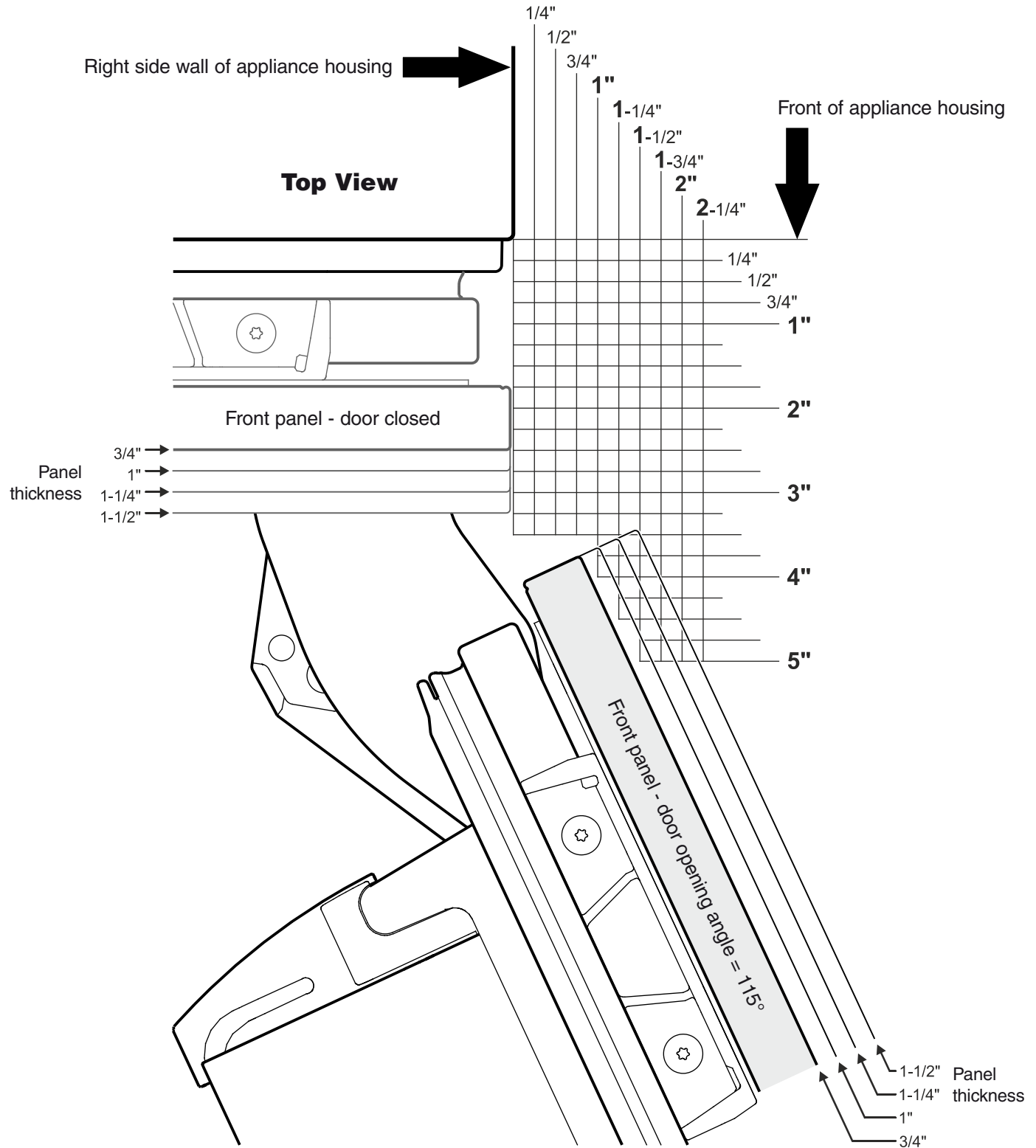
Door Swing Clearance - Inset installation style

HC 1540, HC1541

HCB 1560, HCB 1561

HC 2060, HC 2061

HCB 2060, HCB 2061



Fully Integrated

Door Swing Clearance - Frameless installation style

HC 1540, HC1541

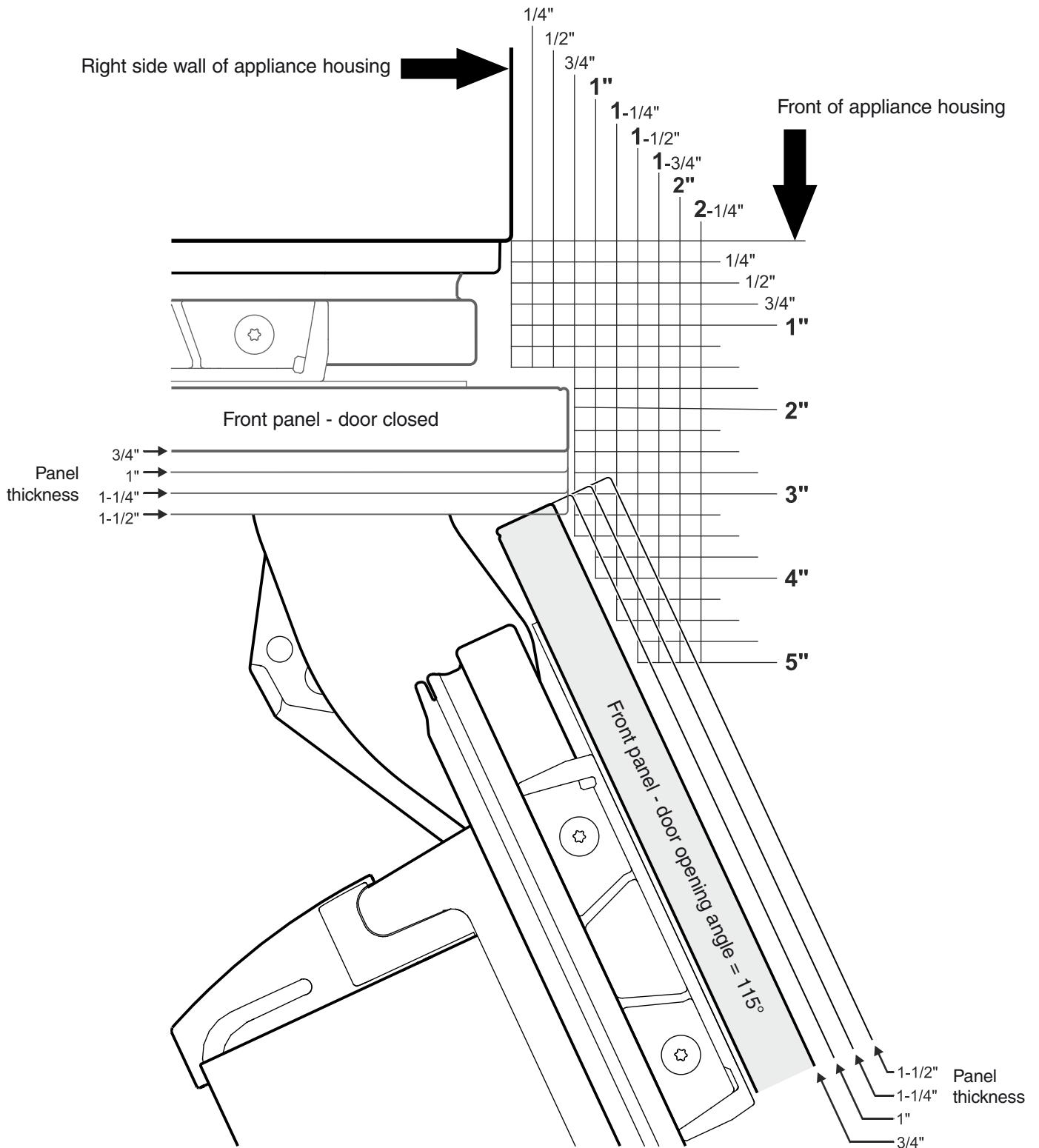
HCB 1560, HCB 1561

HC 2060, HC 2061

HCB 2060, HCB 2061

IMPORTANT

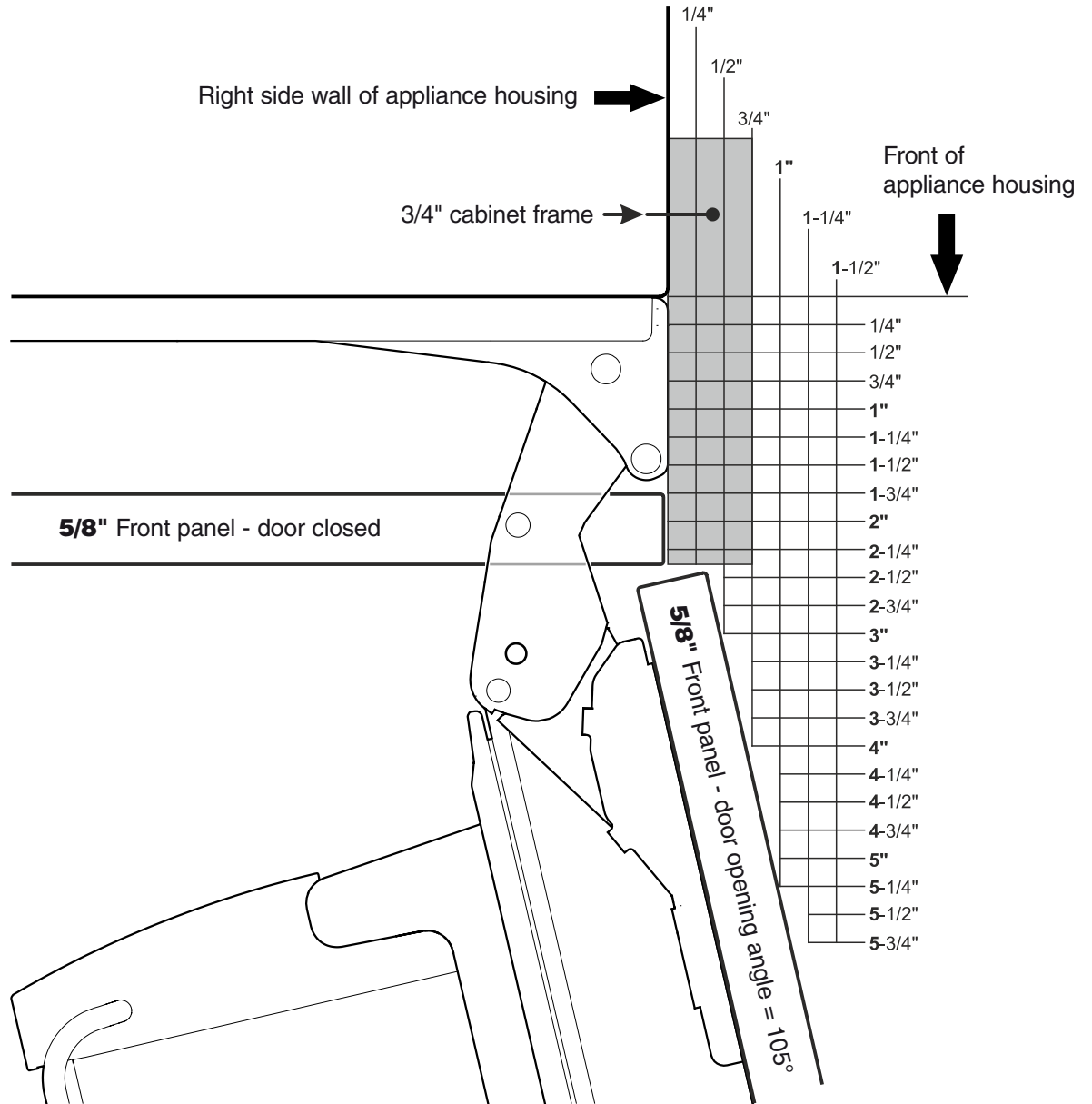
The gap between panels at **frameless** installation style must be at least 1/4" (6 mm).



Fully Integrated

Door Swing Clearance - Inset installation style - HC 2062 / HCB 2062

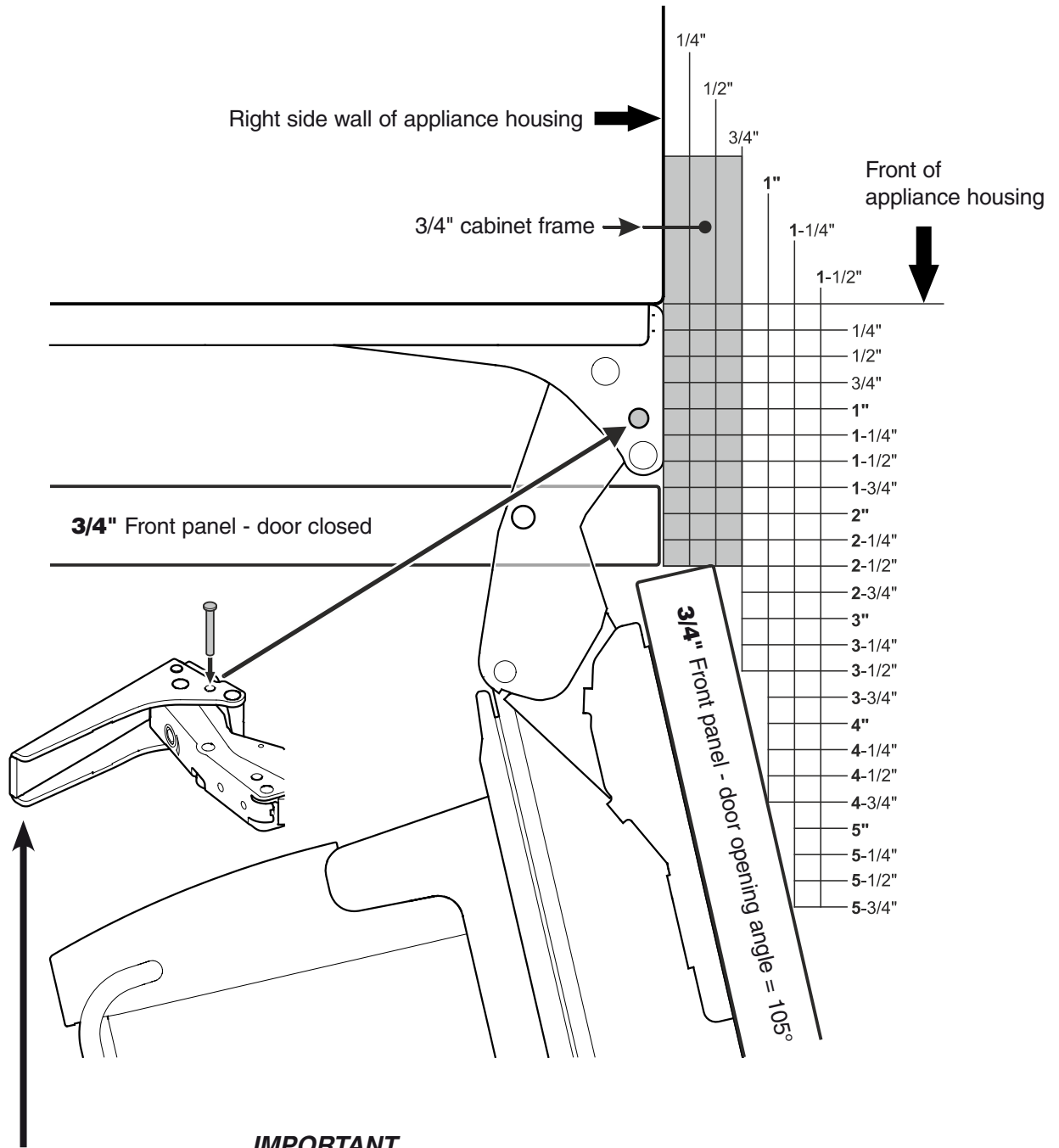
Front panel 5/8"



Fully Integrated

Door Swing Clearance - Inset installation style - HC 2062 / HCB 2062

Front panel 3/4"



IMPORTANT

The use of **3/4"** panels at inset installation style requires **95° hinge limitation**.

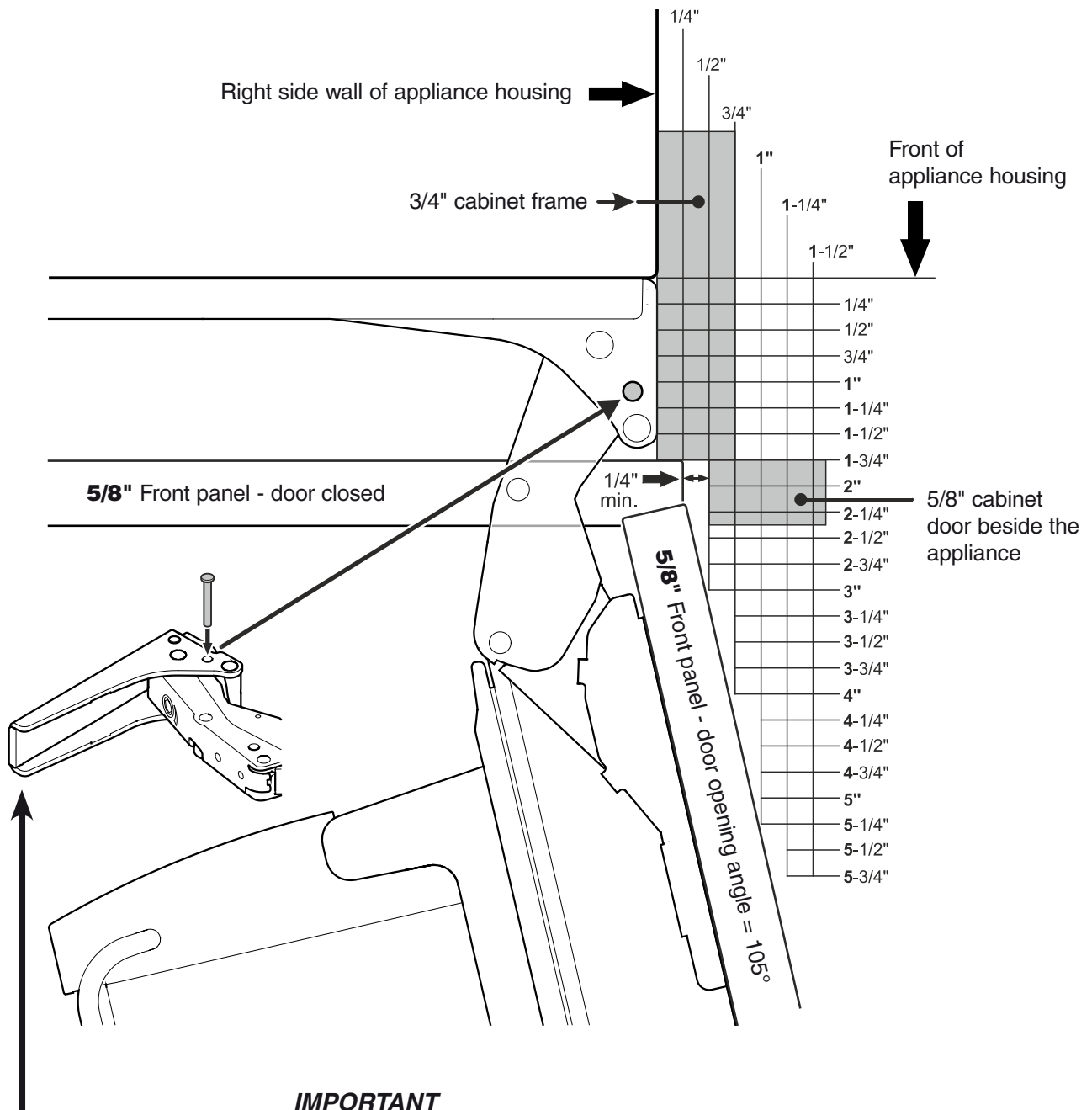
3/4" panels will interfere with the adjacent gable at 105° opening angle.

The "Door stop kit" (article number 9096 214-00) is required.

Fully Integrated

Door Swing Clearance - Frameless installation style - HC 2062 / HCB 2062

Front panel 5/8"



IMPORTANT

The use of 5/8" panels, **with a reveal of less than 1/4" to the adjacent cabinet panel** requires 95° hinge limitation.

If the reveal is less than 1/4" **the panel will interfere with the adjacent cabinet panel** at 105° opening angle.

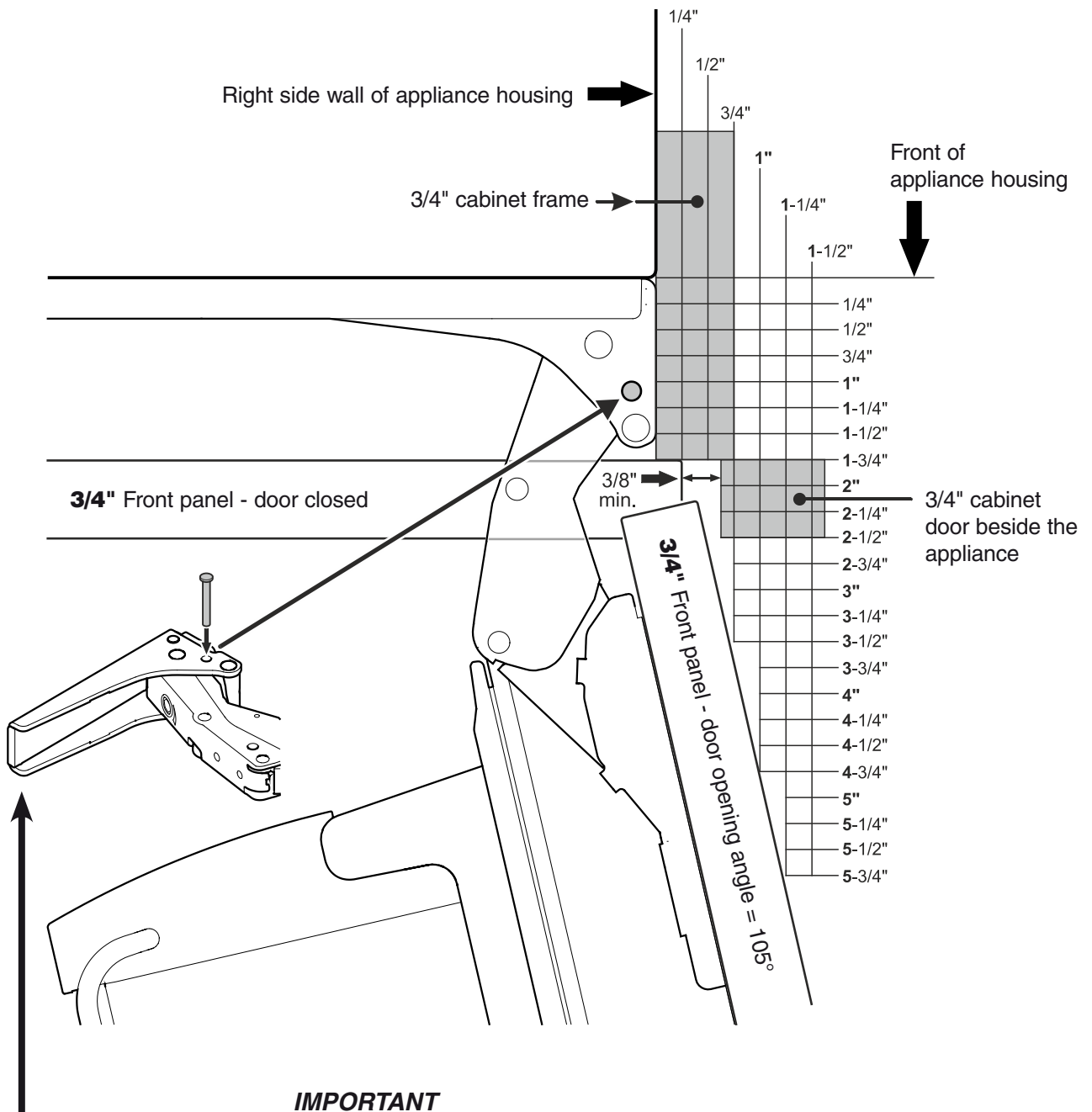
The "Door stop kit" (article number 9096 214-00) is required.

When the hinge is limited to 95° the minimum reveal is 1/8".

Fully Integrated

Door Swing Clearance - Frameless installation style - HC 2062 / HCB 2062

Front panel 3/4"



IMPORTANT

The use of 3/4" panels, **with a reveal of less than 3/8"** to the adjacent cabinet panel requires 95° hinge limitation.

If the reveal is less than 3/8" **the panel will interfere with the adjacent cabinet panel** at 105° opening angle.



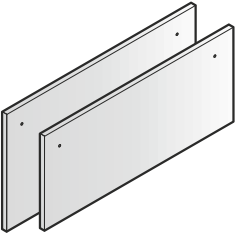
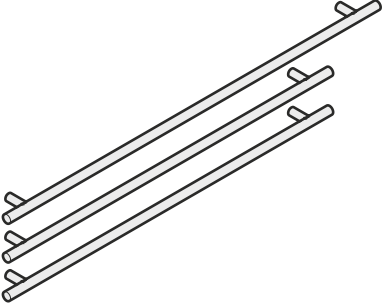
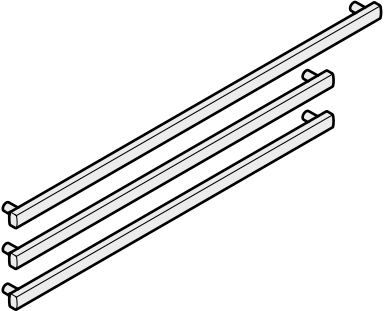
The "Door stop kit" (article number 9096 214-00) is required.

When the hinge is limited to 95° the minimum reveal is 1/8".


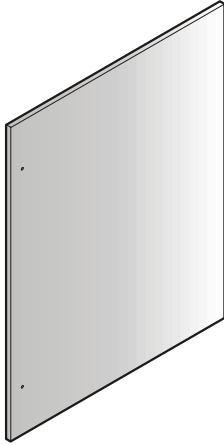
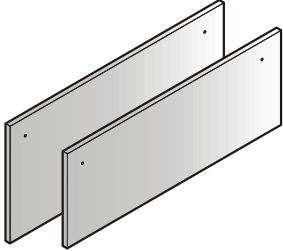
Fully Integrated

Accessories for Liebherr Fully Integrated Appliances

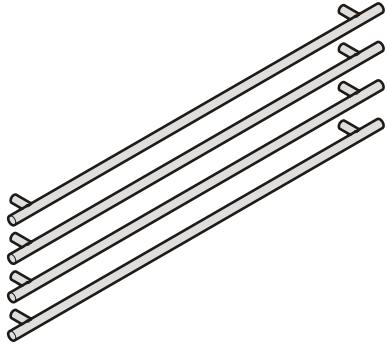
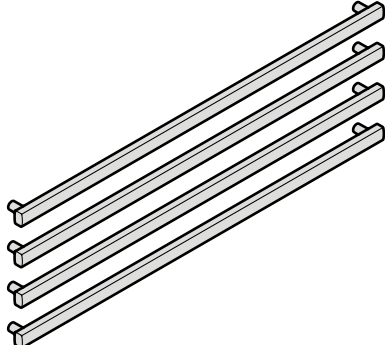
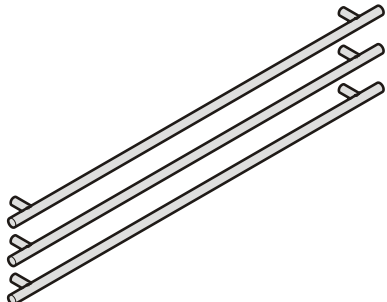
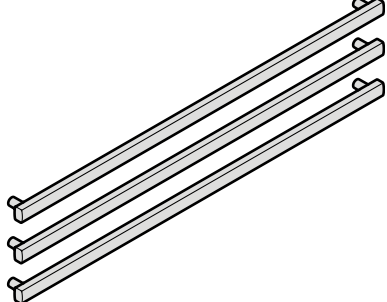
Kits may be necessary to complete this unit's installation or to apply it in a different manner than its original intent. If a kit is necessary, contact your Liebherr retailer or distributor. All installation materials for accessories are included with the kits.

Image	Article number	Name of the item	For use with model
	9900 287-00	Stainless steel panel refrigerator door 80" recess height. (Inset installation style) Height: 45 - 1/4" Width: 29 - 3/4" Thickness: 3/4"	HC 1540 HC 1541 HCB 1560 HCB 1561
	9900 285-00	Stainless steel panel refrigerator door 84" recess height. (Inset installation style) Height: 49 - 1/4" Width: 29 - 3/4" Thickness: 3/4"	HC 1540 HC 1541 HCB 1560 HCB 1561
	9900 283-00	Stainless steel panels freezer drawers (Inset installation style) Top panel Height: 13 - 7/16" Width: 29 - 3/4" Thickness: 3/4" Bottom panel Height: 16 - 9/16" Width: 29 - 3/4" Thickness: 3/4"	HC 1540 HC 1541 HCB 1560 HCB 1561
	9900 279-00	Handle set stainless steel	HC 1540 HC 1541 HCB 1560 HCB 1561
	9900 281-00	Handle set aluminium	HC 1540 HC 1541 HCB 1560 HCB 1561

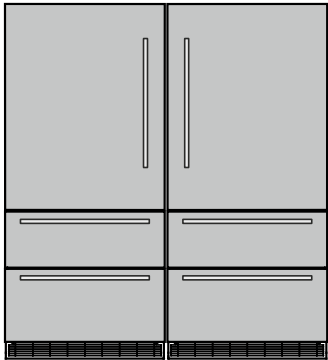
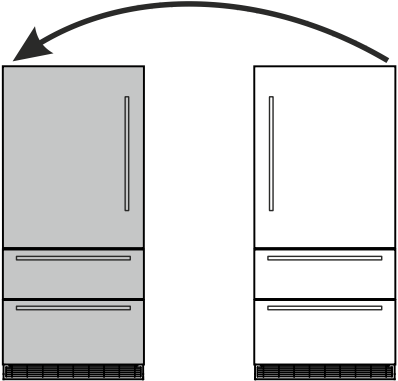
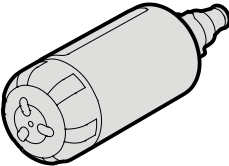
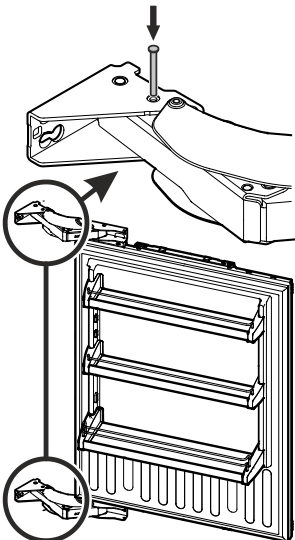
Fully Integrated

Image	Article number	Name of the item	For use with model
	9900 337-00	Stainless steel panels refrigerator doors 80" recess height. (Inset installation style) Height: 45 - 1/4" Width: 17 - 3/4" Thickness: 3/4"	HC 2062 HCB 2062
	9900 335-00	Stainless steel panels refrigerator doors 84" recess height. (Inset installation style) Height: 49 - 1/4" Width: 17 - 3/4" Thickness: 3/4"	HC 2062 HCB 2062
	9900 333-00	Stainless steel panel refrigerator door 80" recess height. (Inset installation style) Height: 45 - 1/4" Width: 35 - 3/4" Thickness: 3/4"	HC 2060 HC 2061 HCB 2060 HCB 2061
	9900 331-00	Stainless steel panel refrigerator door 84" recess height. (Inset installation style) Height: 49 - 1/4" Width: 35 - 3/4" Thickness: 3/4"	HC 2060 HC 2061 HCB 2060 HCB 2061
	9900 323-00	Stainless steel panels freezer drawers (Inset installation style) Top panel Height: 13 - 7/16" Width: 35 - 3/4" Thickness: 3/4" Bottom panel Height: 16 - 9/16" Width: 35 - 3/4" Thickness: 3/4"	HC 2062 HCB 2062 HC 2060 HC 2061 HCB 2060 HCB 2061

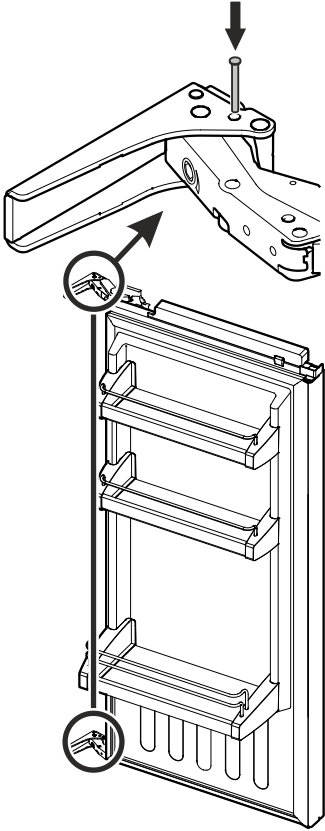
Fully Integrated

Image	Article number	Name of the item	For use with model
	9900 339-00	Handles stainless steel (4 pcs)	HC 2062 HCB 2062
	9900 513-00	Handles aluminium (4 pcs)	HC 2062 HCB 2062
	9900 327-00	Handles stainless steel (3 pcs)	HC 2060 HC 2061 HCB 2060 HCB 2061
	9900 329-00	Handles aluminium (3 pcs)	HC 2060 HC 2061 HCB 2060 HCB 2061

Fully Integrated

Image	Article number	Name of the item	For use with model
	<p>9900 219-00</p> <p>9900 183-00</p>	<p>Side by Side Kit Includes anti-sweat panel, connecting parts, covers and assembly instruction.</p> <p>Side by Side Kit Includes anti-sweat panel, connecting parts, covers and assembly instruction.</p>	<p>HC 1540 HC 1541 HCB 1560 HCB 1561</p> <p>HC 2060 HC 2061 HCB 2060 HCB 2061</p>
	<p>9900 167-00</p> <p>9900 165-00</p>	<p>Door reverse kit</p> <p>Door reverse kit</p>	<p>HC 1540 HC 1541 HCB 1560 HCB 1561</p> <p>HC 2060 HC 2061 HCB 2060 HCB 2061</p>
	<p>7440 002-00</p>	<p>Water filter</p>	<p>HCB 1560 HCB 1561 HC 2060 HC 2061 HCB 2060 HCB 2061 HC 2062 HCB 2062</p>
	<p>9096 699-00</p>	<p>Door stop pins 90° Largedoor Includes 2 pins and assembly instruction.</p>	<p>HC 1540 HC 1541 HCB 1560 HCB 1561 HC 2060 HC 2061 HCB 2060 HCB 2061</p>

Fully Integrated

Image	Article number	Name of the item	For use with model
 <p>The image is a technical line drawing illustrating the installation of door stop pins. It shows a close-up of a door handle assembly at the top, with a downward-pointing arrow indicating the insertion of a pin into a hole. Below this, a full view of a French door is shown with three horizontal shelves. Two circular callouts with arrows point to the top and bottom edges of the door frame, indicating the locations where the stop pins should be installed.</p>	9096 214-00	Door stop pins (approximately 95°) Frenchdoor. Includes 4 pins and assembly instruction.	HC 2062 HCB 2062

