

27" Double Wall Oven

800 Series – Stainless Steel HBN8651UC



HBN8651UC
Stainless Steel

The Bosch wall oven installs flush and features a SmoothClose door.

Features & Benefits

Dampened hinges softly and quietly guide the SmoothClose door shut.

A full-extension telescopic rack offers safe access to the oven cavity.

Touch control with SteelTouch™ buttons makes operating the oven easier.

The wall oven is designed to be installed flush with cabinetry.

Bosch wall ovens are compatible with most competitors' cutouts.

Genuine European Convection for even baking results on multiple racks.

General Properties

Cooking Modes - upper cavity	Bake, Variable Broil (hi & low), Roast, Warm, Sabbath, Proof Dough, Convection Bake, Convection Broil, Convection Roast, Pizza, Multi Rack Genuine European Convection, Convection Conversion, Temperature Probe, Fast Preheat
------------------------------	--

Cooking Modes - lower cavity	Bake, Variable Broil (hi & low), Roast, Warm, Sabbath
------------------------------	---

Cleaning Type - upper cavity	Self-Clean
------------------------------	------------

Cleaning Type - lower cavity	Self-Clean
------------------------------	------------

Telescopic Rack	1
-----------------	---

Illumination Type - upper cavity	Incandescent
----------------------------------	--------------

Illumination Type - lower cavity	Incandescent
----------------------------------	--------------

Interior Lights - upper cavity	2
--------------------------------	---

Interior Lights - lower cavity	2
--------------------------------	---



Oven Performance

Bake Element Wattages - upper cavity	2,400 W
--------------------------------------	---------

Broil Element Wattages - upper cavity	3,800 W
---------------------------------------	---------

Convection Element Wattages - upper cavity	2,000 W
--	---------

Bake Element Wattages - lower cavity	2,400 W
--------------------------------------	---------

Broil Element Wattages - lower cavity	3,800 W
---------------------------------------	---------

Convection Element Wattages - lower cavity	N/A
--	-----

Technical Details

Watts (W)	8,535 W
-----------	---------

Circuit Breaker (A)	40 A
---------------------	------

Volts (V)	240/208 V
-----------	-----------

Frequency (Hz)	60 Hz
----------------	-------

Power Cord Length (in)	50"
------------------------	-----

Plug Type	Fixed Connection, No Plug
-----------	---------------------------

Energy Source	Electric
---------------	----------

Dimensions & Weight

Overall Appliance Dimensions (HxWxD) (in)	52 1/16" x 26 3/4" x 23 1/2"
---	------------------------------

Required Cutout Size (HxWxD) (in)	49 3/4" - 51 1/2" x 25 1/2" x 23 1/2"
-----------------------------------	---------------------------------------

Net Weight (lbs)	243 lbs
------------------	---------

Accessories—Included

Included	Upper Oven: 3 x Oven Racks, Temperature Probe Lower Oven: 2 x Oven Racks
----------	---

For help and assistance with Bosch accessories please visit: www.bosch-eshop.com/eshop/bosch/us or call 1-800-944-2904 Mon-Fri 5am to 6pm PST Sat 6am to 3pm PST

Notes: All height, width and depth dimensions are shown in inches. Please refer to installation instructions prior to making cutout. BSH reserves the absolute and unrestricted right to change product materials and specifications, at any time, without notice. Consult the product's installation instructions for final dimensional data and other details. Applicable product warranty can be found in accompanying product literature or you may contact your account manager for further details.

Warranties: Bosch warrants that the Product is free from defects in materials and workmanship for a period of three hundred and sixty-five (365) days from the date of purchase. The foregoing timeline begins to run upon the date of purchase, and shall not be stalled, tolled, extended, or suspended, for any reason whatsoever. This Product is also warranted to be free from cosmetic defects in material and workmanship (such as scratches of stainless steel, paint/porcelain blemishes, chip, dents, or other damage to the finish of the Product, for a period of thirty (30) days from the date of purchase or closing date for new construction. This cosmetic warranty excludes slight color variations due to inherent differences in painted and porcelain parts, as well as differences caused by kitchen lighting, product location, or other similar factors. This cosmetic warranty specifically excludes any display, floor, "As Is", or "B" stock appliances.

For more information on our entire line of products, go to www.bosch-home.com/us or call 1-800-944-2904

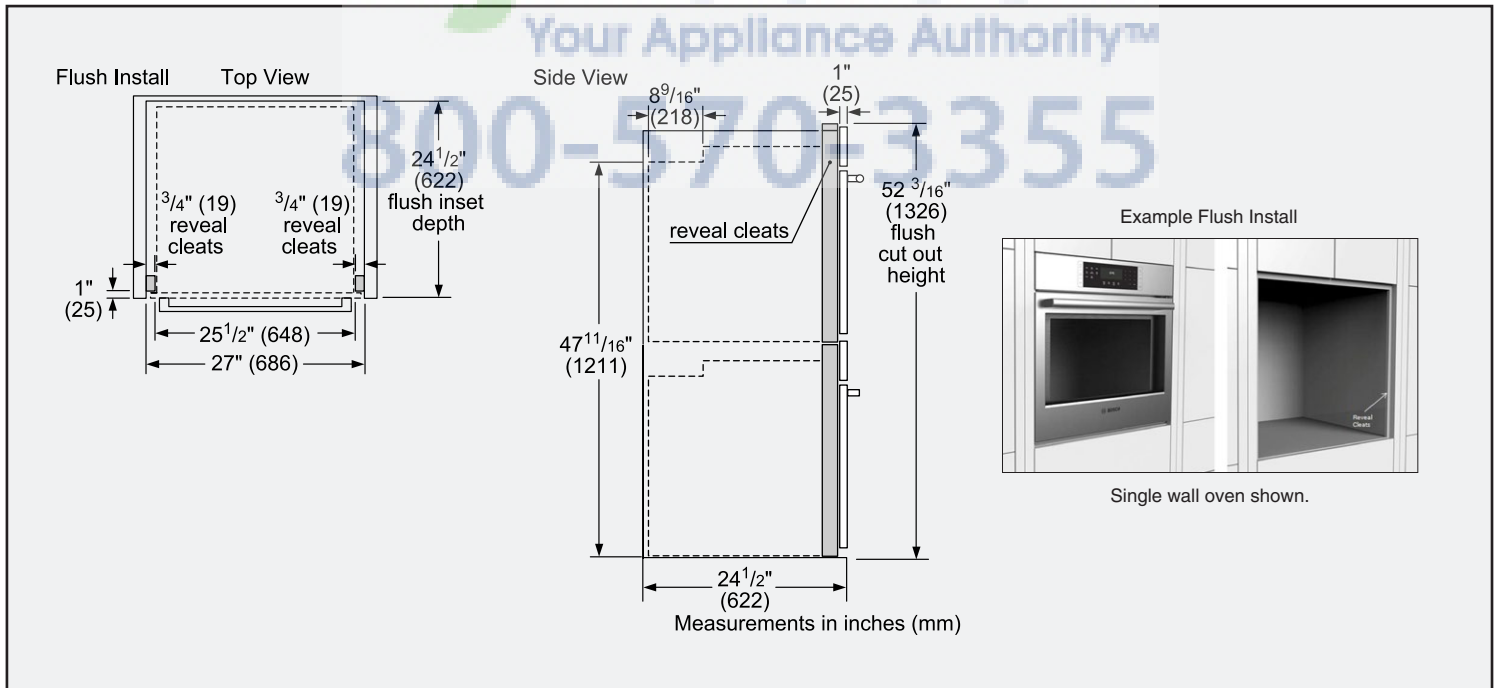
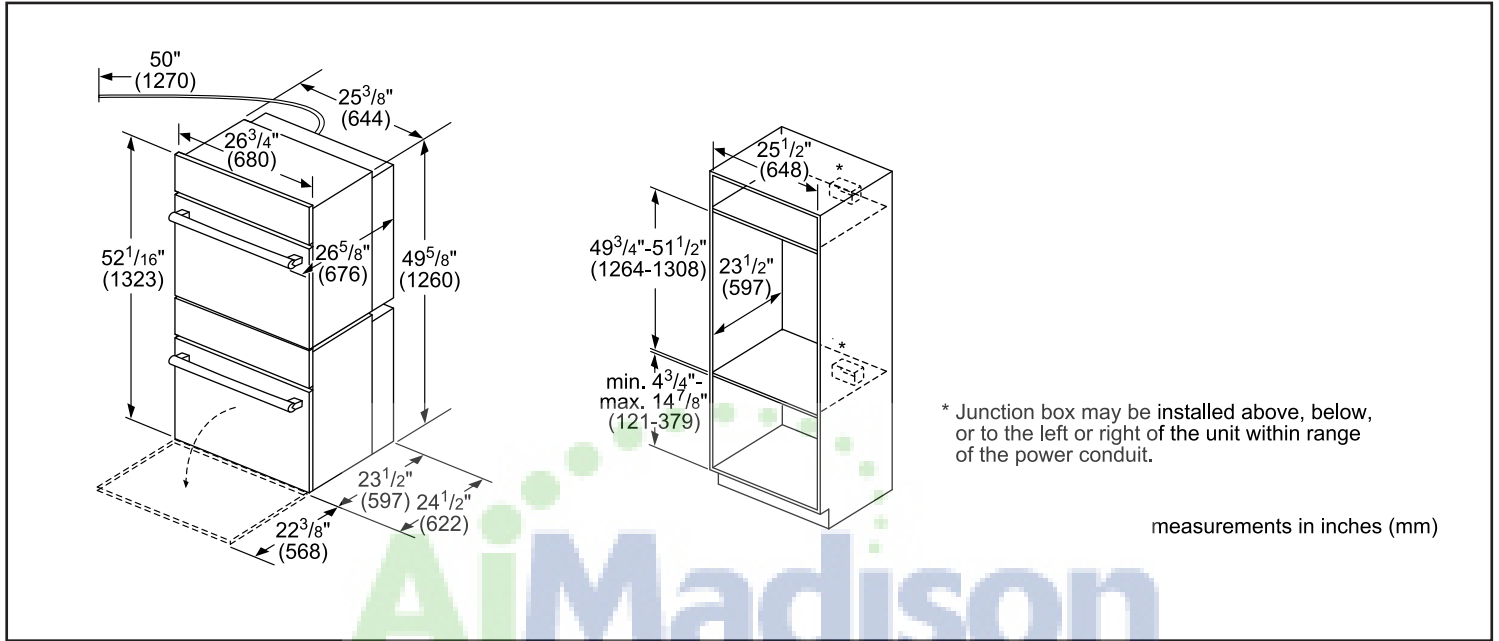
© BSH Home Appliances Corporation. All rights reserved. Bosch is a registered trademark of Robert Bosch GmbH.

27" Double Wall Oven

800 Series – Stainless Steel HBN8651UC



Installation Details



For help and assistance with Bosch accessories please visit: www.bosch-eshop.com/eshop/bosch/us or call 1-800-944-2904 Mon-Fri 5am to 6pm PST Sat 6am to 3pm PST

Notes: All height, width and depth dimensions are shown in inches. Please refer to installation instructions prior to making cutout. BSH reserves the absolute and unrestricted right to change product materials and specifications, at any time, without notice. Consult the product's installation instructions for final dimensional data and other details. Applicable product warranty can be found in accompanying product literature or you may contact your account manager for further details.

Warranties: Bosch warrants that the Product is free from defects in materials and workmanship for a period of three hundred and sixty-five (365) days from the date of purchase. The foregoing timeline begins to run upon the date of purchase, and shall not be stalled, tolled, extended, or suspended, for any reason whatsoever. This Product is also warranted to be free from cosmetic defects in material and workmanship (such as scratches of stainless steel, paint/porcelain blemishes, chip, dents, or other damage to the finish of the Product, for a period of thirty (30) days from the date of purchase or closing date for new construction. This cosmetic warranty excludes slight color variations due to inherent differences in painted and porcelain parts, as well as differences caused by kitchen lighting, product location, or other similar factors. This cosmetic warranty specifically excludes any display, floor, "As Is", or "B" stock appliances.

For more information on our entire line of products, go to www.bosch-home.com/us or call 1-800-944-2904

© BSH Home Appliances Corporation. All rights reserved. Bosch is a registered trademark of Robert Bosch GmbH.

27" Double Wall Oven

800 Series – Stainless Steel HBN8651UC



Installation Details

Standard

1 3/4" (44 mm)

Side-by-Side Installation

The ovens will overlap the cutout resulting in a 1/2" (13mm) spacing between the products

IMPORTANT: The spacing between cutouts applies when installing any Bosch 30" or 27" single, double, combination and 27"/30" compact oven in a side-by-side installation.

Flush

1/2" (13 mm)

Standard Installation
27" Double Oven over Warming Drawer

measurements in inches (mm)

* Wall oven junction box may be located above or right or left of the unit within reach of the power conduit.

**Electrical hook up may be located below (depending on space) or next to the drawer within the reach of the power cord.

Flush Installation
Double Oven over Warming Drawer

Side View

measurements in inches (mm)

*IMPORTANT: base has to be able to support oven weight. Please check oven manual for minimum weight requirements.

For help and assistance with Bosch accessories please visit: www.bosch-eshop.com/eshop/bosch/us or call 1-800-944-2904 Mon-Fri 5am to 6pm PST Sat 6am to 3pm PST

Notes: All height, width and depth dimensions are shown in inches. Please refer to installation instructions prior to making cutout. BSH reserves the absolute and unrestricted right to change product materials and specifications, at any time, without notice. Consult the product's installation instructions for final dimensional data and other details. Applicable product warranty can be found in accompanying product literature or you may contact your account manager for further details.

Warranties: Bosch warrants that the Product is free from defects in materials and workmanship for a period of three hundred and sixty-five (365) days from the date of purchase. The foregoing timeline begins to run upon the date of purchase, and shall not be stalled, tolled, extended, or suspended, for any reason whatsoever. This Product is also warranted to be free from cosmetic defects in material and workmanship (such as scratches of stainless steel, paint/porcelain blemishes, chip, dents, or other damage to the finish of the Product, for a period of thirty (30) days from the date of purchase or closing date for new construction. This cosmetic warranty excludes slight color variations due to inherent differences in painted and porcelain parts, as well as differences caused by kitchen lighting, product location, or other similar factors. This cosmetic warranty specifically excludes any display, floor, "As Is", or "B" stock appliances.

For more information on our entire line of products, go to www.bosch-home.com/us or call 1-800-944-2904

© BSH Home Appliances Corporation. All rights reserved. Bosch is a registered trademark of Robert Bosch GmbH.